

LNT7MD32W

LNT7MD32X

EN	User Manual Fridge Freezer	2
FR	Notice d'utilisation Réfrigérateur/congélateur	23
DE	Benutzerinformation Kühl - Gefrierschrank	47
IT	Istruzioni per l'uso Frigo-Congelatore	71
ES	Manual de instrucciones Frigorífico-congelador	94



Welcome to Electrolux! Thank you for choosing our appliance.



Get usage advice, brochures, troubleshooting, service and repair information:
www.electrolux.com/support

Subject to change without notice.

CONTENTS

1. SAFETY INFORMATION.....	2
2. SAFETY INSTRUCTIONS.....	4
3. INSTALLATION.....	6
4. OPERATION.....	8
5. DAILY USE.....	11
6. HINTS AND TIPS.....	16
7. CARE AND CLEANING.....	17
8. TROUBLESHOOTING.....	19
9. NOISES.....	21
10. TECHNICAL DATA.....	21
11. INFORMATION FOR TEST INSTITUTES.....	22
12. ENVIRONMENTAL CONCERNS.....	22

1. SAFETY INFORMATION

Before the installation and use of the appliance, carefully read the supplied instructions. The manufacturer is not responsible for any injuries or damage that are the result of incorrect installation or usage. Always keep the instructions in a safe and accessible location for future reference.

1.1 Children and vulnerable people safety

- This appliance can be used by children aged from 8 years and above and persons with reduced physical, sensory or mental capabilities or lack of experience and knowledge if they have been given supervision or instruction concerning the use of the appliance in a safe way and understand the hazards involved. Children aged from 3 to 8 years and persons with very extensive and complex disabilities are allowed to load and unload the appliance provided that they have been properly instructed. Children of less than 3 years

of age should be kept away from the appliance unless continuously supervised.

- Children should be supervised to ensure that they do not play with the appliance.
- Children shall not carry out cleaning and user maintenance of the appliance without supervision.
- Keep all packaging away from children and dispose of it appropriately.

1.2 General Safety

- This appliance is for storing food and beverages only.
- This appliance is designed for single household domestic use in an indoor environment.
- This appliance may be used in, offices, hotel guest rooms, bed & breakfast guest rooms, farm guest houses and other similar accommodation where such use does not exceed (average) domestic usage levels.
- To avoid contamination of food respect the following instructions:
 - do not open the door for long periods;
 - clean regularly surfaces that can come in contact with food and accessible drainage systems;
 - store raw meat and fish in suitable containers in the refrigerator, so that it is not in contact with or drip onto other food.
- **WARNING:** Keep ventilation openings, in the appliance enclosure or in the built-in structure, clear of obstruction.
- **WARNING:** Do not use mechanical devices or other means to accelerate the defrosting process, other than those recommended by the manufacturer.
- **WARNING:** Do not damage the refrigerant circuit.
- **WARNING:** Do not use electrical appliances inside the food storage compartments of the appliance, unless they are of the type recommended by the manufacturer.
- Do not use water spray and steam to clean the appliance.

- Clean the appliance with a moist soft cloth. Only use neutral detergents. Do not use abrasive products, abrasive cleaning pads, solvents or metal objects.
- When the appliance is empty for long period, switch it off, defrost, clean, dry and leave the door open to prevent mould from developing within the appliance.
- Do not store explosive substances such as aerosol cans with a flammable propellant in this appliance.
- If the supply cord is damaged, it must be replaced by the manufacturer, its Authorised Service Centre or similarly qualified persons in order to avoid a hazard.

2. SAFETY INSTRUCTIONS

2.1 Installation

WARNING!

Only a qualified person must install this appliance.

- Remove all the packaging.
- Do not install or use a damaged appliance.
- Follow the installation instructions supplied with the appliance.
- Always take care when moving the appliance as it is heavy. Always use safety gloves and enclosed footwear.
- Make sure the air can circulate around the appliance.
- At first installation or after reversing the door wait at least 4 hours before connecting the appliance to the power supply. This is to allow the oil to flow back in the compressor.
- Before carrying out any operations on the appliance (e.g. reversing the door), remove the plug from the power socket.
- Do not install the appliance close to radiators or cookers, ovens, or hobs, unless otherwise specified in the installation instructions.
- Do not expose the appliance to the rain.
- Do not install the appliance where there is direct sunlight.
- Do not install this appliance in areas that are too humid or too cold.

- When you move the appliance, lift it by the front edge to avoid scratching the floor.

2.2 Electrical connection

WARNING!

Risk of fire and electric shock.

WARNING!

When positioning the appliance, ensure the supply cord is not trapped or damaged.

WARNING!

Do not use multi-plug adapters and extension cables.

- The appliance must be earthed.
- Make sure that the parameters on the rating plate are compatible with the electrical ratings of the mains power supply.
- Always use a correctly installed shockproof socket.
- Make sure not to cause damage to the electrical components (e.g. mains plug, mains cable, compressor). Contact the Authorised Service Centre or an electrician to change the electrical components.
- The mains cable must stay below the level of the mains plug.

- Connect the mains plug to the mains socket only at the end of the installation. Make sure that there is access to the mains plug after the installation.
- Do not pull the mains cable to disconnect the appliance. Always pull the mains plug.

2.3 Use

WARNING!

Risk of injury, burns, electric shock or fire.



The appliance contains flammable gas, isobutane (R600a), a natural gas with a high level of environmental compatibility. Be careful not to cause damage to the refrigerant circuit containing isobutane.

- Do not change the specification of this appliance.
- Do not put electrical appliances (e.g. ice cream makers) in the appliance unless they are stated applicable by the manufacturer.
- If damage occurs to the refrigerant circuit, make sure that there are no flames and sources of ignition in the room. Ventilate the room.
- Do not let hot items to touch the plastic parts of the appliance.
- Do not put soft drinks in the freezer compartment. This will create pressure on the drink container.
- Do not store flammable gas and liquid in the appliance.
- Do not put flammable products or items that are wet with flammable products in, near or on the appliance.
- Do not touch the compressor or the condenser. They are hot.
- Do not remove or touch items from the freezer compartment if your hands are wet or damp.
- Do not freeze again food that has been thawed.
- Follow the storage instructions on the packaging of frozen food.
- Wrap the food in any food contact material before putting it in the freezer compartment.

- Do not allow food to come in contact with the inner walls of the appliance compartments.

2.4 Internal lighting

WARNING!

Risk of electric shock.

- This product contains one or more light sources of energy efficiency class F.
- Concerning the lamp(s) inside this product and spare part lamps sold separately: These lamps are intended to withstand extreme physical conditions in household appliances, such as temperature, vibration, humidity, or are intended to signal information about the operational status of the appliance. They are not intended to be used in other applications and are not suitable for household room illumination.

2.5 Care and cleaning

WARNING!

Risk of injury or damage to the appliance.

- Before maintenance, deactivate the appliance and disconnect the mains plug from the mains socket.
- This appliance contains hydrocarbons in the cooling unit. Only a qualified person must do the maintenance and the recharging of the unit.

2.6 Service

- To repair the appliance contact the Authorised Service Centre. Use only original spare parts.
- Please note that self-repair or non-professional repair can have safety consequences and might void the guarantee.
- The following spare parts are available for at least 7 years after the model has been discontinued: thermostats, temperature sensors, printed circuit boards, light sources, door handles, door hinges, trays and baskets. Door gaskets are available for at least 10 years after the model has been discontinued. The duration may be

longer in your country. For further information, please visit our website.

- Please note that some of these spare parts are only available to professional repairers, and that not all spare parts are relevant for all models.

2.7 Disposal

⚠ WARNING!

Risk of injury or suffocation.

- Disconnect the appliance from the mains supply.

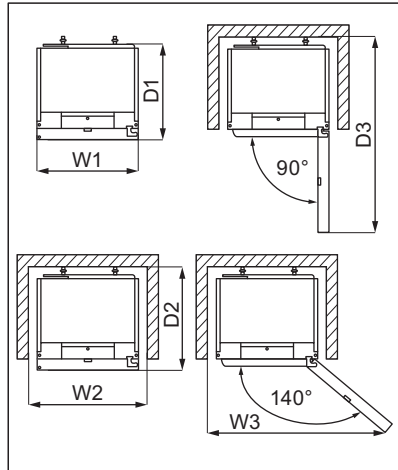
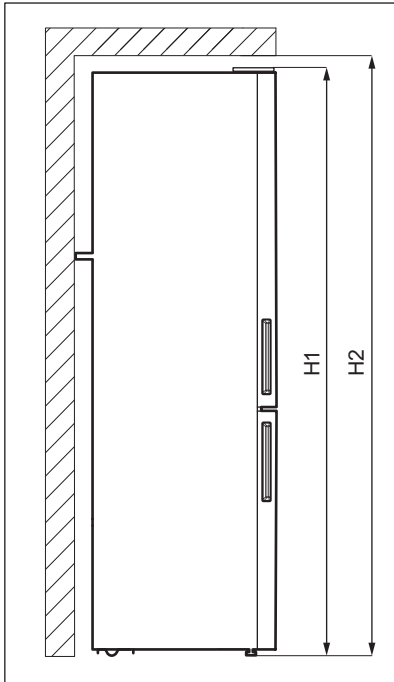
- Cut off the mains cable and discard it.
- Remove the door to prevent children and pets to be closed inside of the appliance.
- The refrigerant circuit and the insulation materials of this appliance are ozone-friendly.
- The insulation foam contains flammable gas. Contact your municipal authority for information on how to discard the appliance correctly.
- Do not cause damage to the part of the cooling unit that is near the heat exchanger.

3. INSTALLATION

⚠ WARNING!

Refer to Safety chapters.

3.1 Dimensions



Overall dimensions ¹		
H1	mm	1870
W1	mm	595
D1	mm	639

¹ the height, width and depth of the appliance without the handle

Space required in use ²		
H2	mm	1900
W2	mm	600
D2	mm	700

² the height, width and depth of the appliance including the handle, plus the space necessary for free circulation of the cooling air

Overall space required in use ³		
H2	mm	1900
W3	mm	1031
D3	mm	1256

³ the height, width and depth of the appliance including the handle, plus the space necessary for free circulation of the cooling air, plus the space necessary to allow door opening to the minimum angle permitting removal of all internal equipment

3.2 Location

This appliance is not intended to be used as a built-in appliance.

In case of different installation from freestanding respecting space required in use dimensions, the appliance will function correctly but energy consumption might increase slightly.

To ensure appliance's best functionality, you should not install the appliance in the place with direct sunlight. Do not install the appliance close to the heat source (oven, stoves, radiators, cookers, hoods, hobs or extractor hobs) unless otherwise specified in the installation instruction. Make sure that air

can circulate freely around the back of the cabinet.

This appliance should be installed in a dry, well ventilated indoor position.

To ensure best performance, if the appliance is positioned below an overhanging wall unit, the minimum distance between the top of the cabinet shall be maintained. Ideally, however, the appliance should not be positioned below overhanging wall units. One or more adjustable feet at the base of the cabinet ensure that the appliance stands level.

CAUTION!

If you position the appliance against the wall, use back spacers provided or keep the minimum distance indicated in the installation instructions.

CAUTION!

If you install the appliance next to a wall, refer to the installation instructions to understand the minimum distance between the wall and the side of the appliance where door hinges are to provide enough space to open the door when the internal equipment is removed (e.g. when cleaning).

This appliance is intended to be used at ambient temperature ranging from 10°C to 43°C.

i

The correct operation of the appliance can only be guaranteed within the specified temperature range.

i

If you have any doubts regarding where to install the appliance, please turn to the vendor, to our customer service or to the nearest Authorised Service Centre.

i

It must be possible to disconnect the appliance from the mains power supply. The plug must therefore be easily accessible after installation.

3.3 Electrical connection

- Before plugging in, ensure that the voltage and frequency shown on the rating plate correspond to your domestic power supply.
- The appliance must be earthed. The power supply cable plug is provided with a contact for this purpose. If the domestic power supply socket is not earthed, connect the appliance to a separate earth in compliance with current regulations, consulting a qualified electrician.
- The manufacturer declines all responsibility if the above safety precautions are not observed.

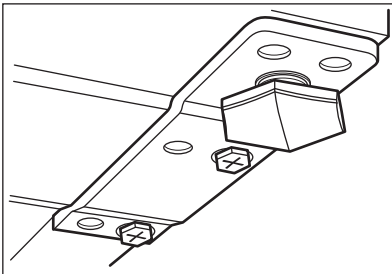
3.4 Levelling



Door alignment depends on proper levelling.

It is advisable to empty the appliance before carrying out this operation.

When placing the appliance ensure that it stands level. This can be achieved by two adjustable feet at the bottom in front.



3.5 Rear spacers



Please refer to the separate document with instructions on installation and door reversal.

CAUTION!

If you position the appliance against the wall in a freestanding installation, install the rear spacers in order to guarantee the minimum distance required for air circulation. Use the provided rear spacers as indicated in the Installation Instruction.

3.6 Door reversibility

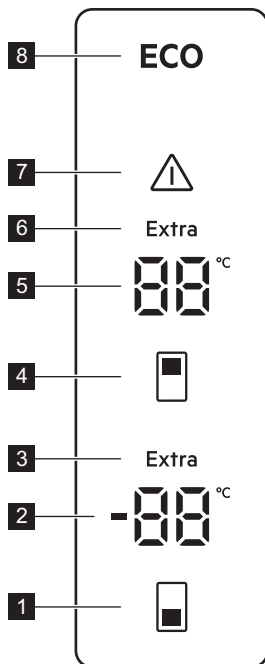
Please refer to the separate document with instructions on installation and door reversal.

CAUTION!

At every stage of reversing the door protect the floor from scratching with a durable material.

4. OPERATION

4.1 Control panel



- 1 Freezer temperature button
- 2 Freezer compartment indicator
- 3 Extra Freeze indicator
- 4 Fridge temperature button
- 5 Fridge compartment indicator
- 6 Extra Cool indicator
- 7 Alarm indicator
- 8 ECOMETER indicator


4.2 Switching on


1. Connect the mains plug to the power socket.
2. Press and hold the Freezer temperature and Fridge temperature buttons for 10 seconds.

The display shows blinking  indication.

4.3 Switching off

1. Press and hold the Freezer temperature and Fridge temperature buttons for 10 seconds.

The display shows blinking  indicator.

2. The appliance is switched off and a steady  indication substitutes the fridge temperature. Disconnect the mains plug from the power socket.

4.4 Temperature regulation

Set the temperature of the appliance by pressing the temperature buttons.

Recommended set temperatures are:

- +4°C for the fridge
- -18°C for the freezer

The temperature range may vary between -15 and -24°C for freezer and between 2 and 8°C for fridge.



The temperature indicators show the set temperature. The set temperature will be reached within 24 hours. After a power failure the set temperature remains stored.



ECO indicator LED light is on when the recommended temperature or level is set.



Switch off the Extra Freeze function before setting a different freezer temperature level.

4.5 ECO function

The ECO function ensures minimum energy consumption with the optimal temperature for food preservation.

During this mode:

- The set temperature of the fridge compartment is 4°C.
- The set temperature of the freezer compartment is -18°C.

To deactivate the ECO function:

- set a different temperature. Refer to "Temperature regulation".
- activate the Extra Cool and Extra Freeze functions.

4.6 Extra Cool function

If you need to insert a large amount of food at ambient temperature in the fridge compartment, for example after grocery shopping, activate the Extra Cool function. This function accelerates cooling and prevents the stored food from warming up.

To activate the function, press and hold the Fridge temperature button until the Extra Cool indicator lights up.

The function stops automatically after approximately 6 hours.

To deactivate the Extra Cool function before its automatic end, press and hold the Fridge

temperature button until the Extra Cool indicator turns off.

To set a different fridge temperature, turn off the Extra Cool function. Refer to "Temperature regulation" section.

4.7 Extra Freeze function

The Extra Freeze function performs pre-freezing and fast freezing in sequence in the freezer compartment. This function accelerates the freezing of fresh food and protects the food already stored from warming up.



To freeze fresh food activate the Extra Freeze function at least 4 hours before placing the food to complete pre-freezing.

To activate the Extra Freeze function, press and hold the Freezer temperature button until Extra Freeze indicator lights up.

This function stops automatically after 24 hours.

To deactivate the Extra Freeze function before its automatic end, press and hold the Freezer temperature button until Extra Freeze indicator turns off.

4.8 Door open alarm

If the fridge or the freezer door is left open for approximately 5 minutes the alarm activates. During the alarm:

- the sound is on,
- temperature indicators flash,
- the alarm indicator flashes.

The internal fridge light may be flashing.

The alarm stops after closing the door.

You can switch off the alarm by pressing any button.



The sound switches off automatically after 1 hour.

4.9 High temperature alarm



The alarm activates when you plug the appliance for the first time.

Freezer compartment

The alarm activates when the freezer compartment temperature is too high.

During the alarm:

- the display shows blinking **E09**,
- the alarm indicator flashes,
- the alarm sound is on.

Turning off the alarm

- Press any button on the control panel to turn off the alarm. The alarm indicator and sound turn off. The display shows **E09** for 5 seconds and then the current freezer temperature is displayed.
- The alarm sound turns off automatically after 1 hour. If the temperature is still too high, the alarm activates again.

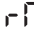

- Once the temperature is back to the set value, the alarm turns off and the normal display restores.

4.10 Rest mode



The Rest mode ensures optimal food preservation while minimizing energy consumption during periods of non-operation.

To enable the Rest mode, press and hold freezer temperature button for 5 seconds.

The display shows:

-  on the Freezer temperature indicator,
-  on the Fridge temperature indicator.

Tap Freezer temperature button to switch the Rest mode on or off. The Freezer

temperature indicator changes to  for the enabled or  for the disabled Rest mode.

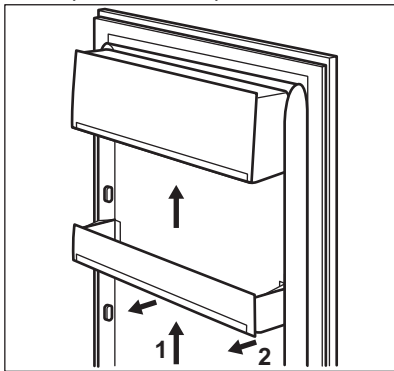
The Rest mode activates after 3 days without any interaction with the appliance. The Rest mode deactivates automatically after any interaction with the appliance.

5. DAILY USE

5.1 Positioning the door shelves

To permit storage of food packages of various sizes, the door shelves can be placed at different heights.

1. Gradually pull the shelf up until it comes free.
2. Reposition as required.



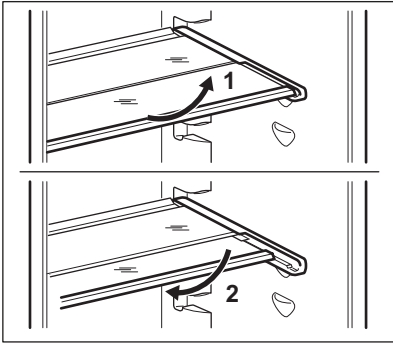
5.2 Movable shelves

The walls of the refrigerator are equipped with a series of runners so that the shelves can be positioned as desired.

This appliance is also equipped with a shelf consisting of two parts. The front half of the shelf can be placed under the second half to make better use of space.

To fold the shelf:

1. Take out the front half gently.
2. Slide it into the lower rail and under the second half.



Do not move the glass shelf above the vegetable drawer to ensure correct air circulation.

5.3 GreenZone drawer

There is a pull-out drawer in the bottom part of the refrigerator compartment.

The glass shelf of the GreenZone is fitted with a device that regulates its sealing and provides for optimal humidity inside the drawer.

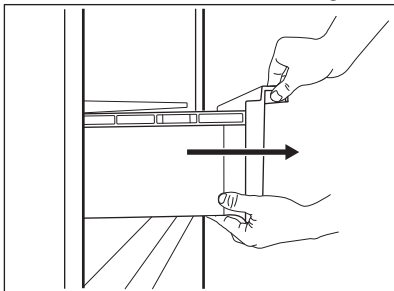
5.4 Removing GreenZone drawer



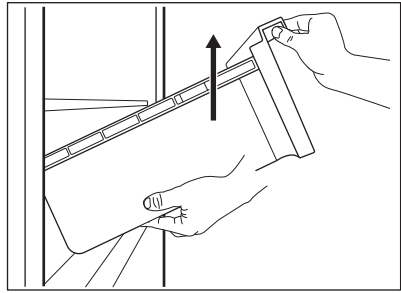
It is recommended to empty the drawer before removing it from the refrigerator.

To remove the drawer:

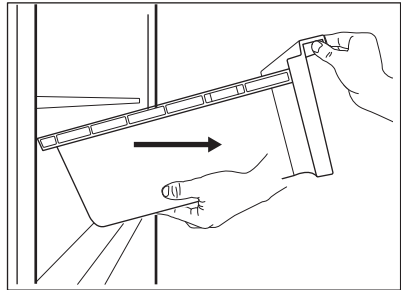
1. Pull out the drawer from the refrigerator.



2. Lift up the front of the drawer.

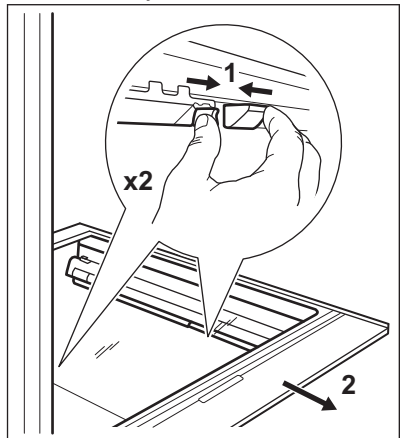


3. Pull the drawer out while lifting it up.

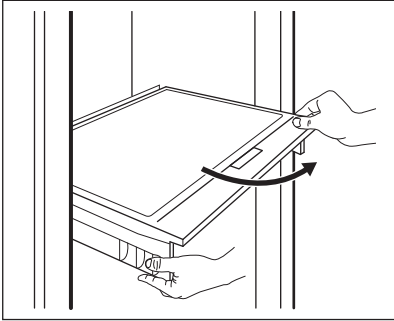


To remove the glass cover of the GreenZone drawer:

1. Unlock lateral gripping from both sides simultaneously.



2. Pull the glass shelf support towards yourself.

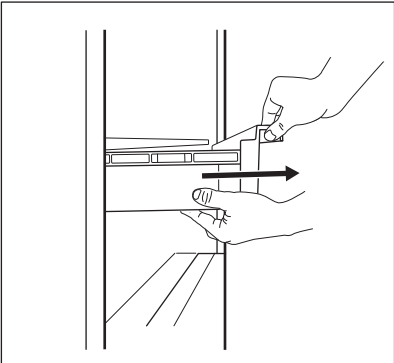


5.5 Removing ExtraChill

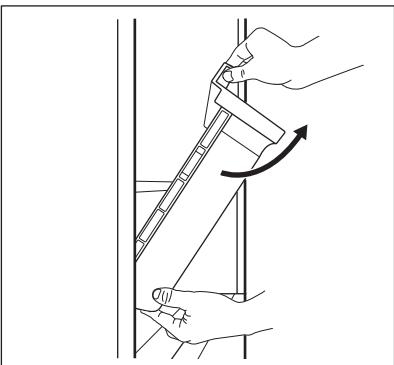
There is a drawer above the GreenZone drawer.

To remove the drawer:

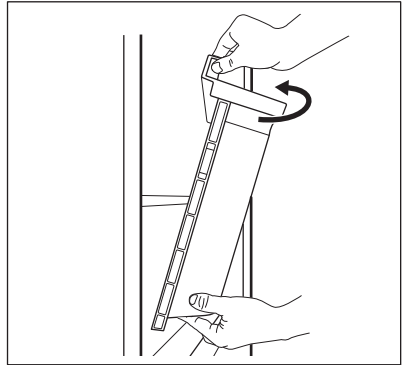
1. Pull out the drawer from the refrigerator.



2. Lift up the front of the drawer.



3. Lift and turn the drawer to pull it out of the appliance.



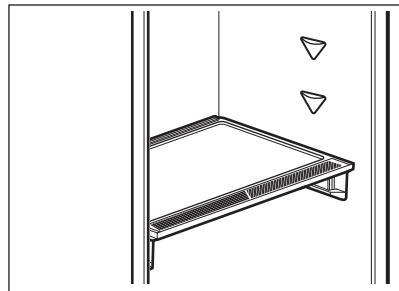
The shelf above the drawer can be removed from the appliance only for cleaning purpose.

5.6 Humidity control

The glass shelf of the GreenZone drawer features a device that regulates its sealing and provides for optimal humidity inside the drawer.

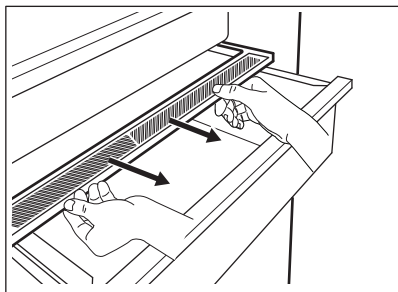


Do not place any food products on the humidity control device.

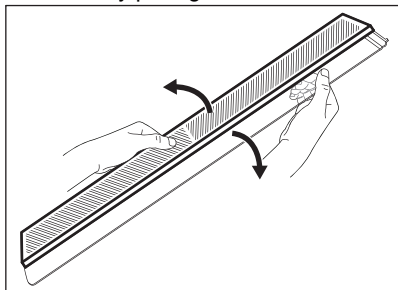


To remove the humidity control device:

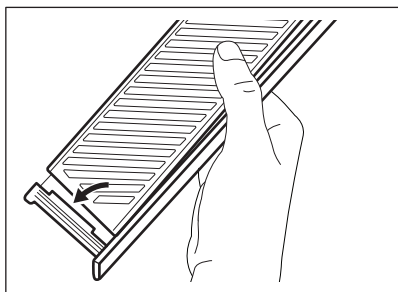
1. Open the drawer below the glass shelf and pull out the cover.



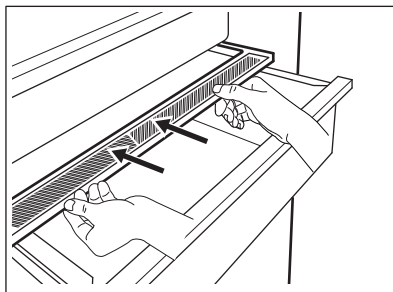
2. If you need to replace the device's white membrane, grab the device in the middle and separate the membrane from the cover by pulling the cover.



3. Assemble a new membrane into the cover by pressing the edge of the membrane into the cover.



4. Reassemble the humidity control back on the drawer.

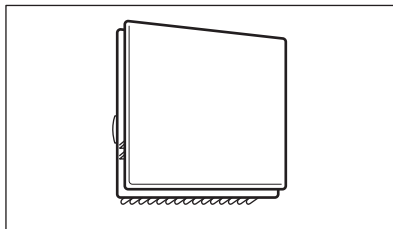


Depending on the quantity and condition of fruit and vegetables stored in the GreenZone drawer, condensation may occur. In such a case, remove the condensation using a soft cloth.

5.7 MULTIFLOW

The refrigerator compartment is equipped with the MULTIFLOW device that allows for rapid and more effective cooling of food and maintaining a more uniform temperature in each part of the refrigerator compartment.

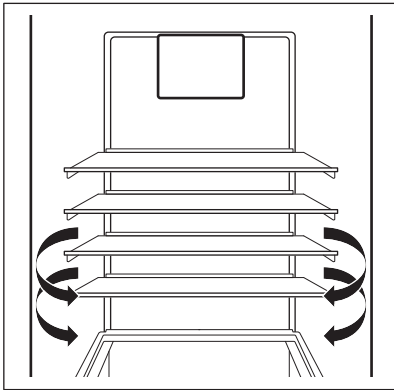
This device activates automatically when needed.



MULTIFLOW operates only when the door is closed.



Do not block the air vents to allow better cooling.



Do not remove the MULTIFLOW panel. Do not use water spray or steam to clean the appliance. For cleaning instructions, refer to the "Care and cleaning" chapter.

5.8 Freezing fresh food

The freezer compartment is suitable for freezing fresh food and storing frozen and deep-frozen food for a long time.

To freeze fresh food activate the Extra Freeze function at least 4 hours before placing the food to be frozen in the freezer compartment.

Store the fresh food evenly distributed in the first compartment or drawer from the top.

The maximum amount of food that can be frozen without adding other fresh food during 24 hours is specified on the rating plate (a label located inside the appliance).

When the freezing process is complete, the appliance returns to the previously set temperature. Refer to "Extra Freeze function".

For more information refer to the "Hints for freezing" section.

5.9 Storage of frozen food

When activating an appliance for the first time or after a period out of use, before putting the

products in the compartment let the appliance run at least 3 hours with the Extra Freeze function switched on.

The freezer drawers ensure that it is quick and easy to find the food package you want. If large quantities of food are to be stored, remove all drawers and place the food on the shelves. Leave the bottom drawer in place to ensure good air circulation.

Keep the food on the shelves no closer than 15 mm from the door.

CAUTION!

In the event of accidental defrosting, for example due to a power failure, if the power has been off for longer than the value shown on rating plate under "rising time", the defrosted food must be consumed quickly or cooked immediately then cooled and then re-frozen. Refer to "High temperature alarm".

5.10 Thawing

Deep-frozen or frozen food, prior to being used, can be thawed in the refrigerator compartment or at room temperature, depending on the time available for this operation.

Small pieces may even be cooked still frozen, directly from the freezer: in this case, cooking will take longer.

5.11 Ice-cube production

This appliance is equipped with one or more trays for the production of ice-cubes.



Do not use metallic instruments to remove the trays from the freezer.

1. Fill these trays with water.
2. Put the ice trays in the freezer compartment.

6. HINTS AND TIPS

6.1 Hints for energy saving

- Freezer: The internal configuration of the appliance is the one that ensures the most efficient use of energy.
- Fridge: Most efficient use of energy is ensured in the configuration with the drawers in the bottom part of the appliance and shelves evenly distributed. Position of the door bins does not affect energy consumption.
- Do not open the door frequently or leave it open longer than necessary.
- Freezer: The colder the temperature setting, the higher the energy consumption.
- Fridge: Do not set too high temperature to save energy unless it is required by the characteristics of the food.
- If the ambient temperature is high and the temperature control is set to low temperature and the appliance is fully loaded, the compressor may run continuously, causing frost or ice formation on the evaporator. In this case, set the temperature control toward higher temperature to allow automatic defrosting and to save energy this way.
- Ensure a good ventilation. Do not cover the ventilation grilles or holes.
- Make sure that food products inside the appliance allow air circulation through dedicated holes in the rear interior of the appliance.


6.2 Hints for freezing

- Activate Extra Freeze function at least 4 hours before placing the food inside the freezer compartment.
- Before freezing wrap and seal fresh food in: aluminium foil, plastic film or bags, airtight containers with lid.
- For more efficient freezing and thawing divide food into small portions.
- It is recommended to put labels and dates on all your frozen food. This will help to identify foods and to know when they should be used before their deterioration.
- The food should be fresh when being frozen to preserve good quality. Especially

fruits and vegetables should be frozen after the harvest to preserve all of their nutrients.

- Do not freeze bottles or cans with liquids, in particular drinks containing carbon dioxide - they may explode during freezing.
- Do not put hot food in the freezer compartment. Cool it down at room temperature before placing it inside the compartment.
- To avoid increase in temperature of already frozen food, do not place fresh unfrozen food directly next to it. Place food at room temperature in the part of the freezer compartment where there is no frozen food.
- Do not eat ice cubes, water ices or ice lollies immediately after taking them out of the freezer. Risk of frostbites.
- Do not re-freeze defrosted food. If the food has defrosted, cook it, cool it down and then freeze it.

6.3 Hints for storage of frozen food

- Freezer compartment is the one marked with .
- Higher temperature setting inside the appliance may lead to shorter shelf life.
- The whole freezer compartment is suitable for storage of frozen food products.
- Leave enough space around the food to allow air to circulate freely.
- For adequate storage refer to food packaging label to see the shelf life of food.
- It is important to wrap the food in such a way that prevents water, humidity or condensation from getting inside.

6.4 Shopping tips

After grocery shopping:

- Ensure that the packaging is not damaged - the food could be deteriorated. If the package is swollen or wet, it might have not been stored in the optimal conditions and defrosting may have already started.
- To limit the defrosting process buy frozen goods at the end of your grocery shopping

and transport them in a thermal and insulated cool bag.

- Place the frozen foods immediately in the freezer after coming back from the shop.
- If food has defrosted even partially, do not re-freeze it. Consume it as soon as possible.
- Respect the expiry date and the storage information on the package.

6.5 Shelf life for freezer compartment

Type of food	Shelf life (months)
Bread	3
Fruits (except citrus)	6 - 12
Vegetables	8 - 10
Leftovers without meat	1 - 2
Dairy food:	
Butter	6 - 9
Soft cheese (e.g. mozzarella)	3 - 4
Hard cheese (e.g. parmesan, cheddar)	6
Seafood:	
Fatty fish (e.g. salmon, mackerel)	2 - 3
Lean fish (e.g. cod, flounder)	4 - 6
Shrimps	12
Shucked clams and mussels	3 - 4
Cooked fish	1 - 2
Meat:	
Poultry	9 - 12
Beef	6 - 12
Pork	4 - 6
Lamb	6 - 9
Sausage	1 - 2
Ham	1 - 2
Leftovers with meat	2 - 3


6.6 Hints for fresh food refrigeration

- Good temperature setting that ensures preservation of fresh food is a temperature less than or equal to +4°C.

Higher temperature setting inside the appliance may lead to shorter shelf life of food.

- Cover the food with packaging to preserve its freshness and aroma.
- Always use closed containers for liquids and for food, to avoid flavours or odours in the compartment.
- To avoid the cross-contamination between cooked and raw food, cover the cooked food and separate it from the raw one.
- It is recommended to defrost the food inside the fridge.
- Do not insert hot food inside the appliance. Make sure it has cooled down at room temperature before inserting it.
- To prevent food waste the new stock of food should always be placed behind the old one.

6.7 Hints for food refrigeration

- Fresh food compartment is the one marked (on the rating plate) with .
- Meat (all types): wrap in a suitable packaging and place it on the glass shelf above the vegetable drawer. Store meat for at most 1-2 days.
- Fruit and vegetables: clean thoroughly (eliminate the soil) and place in a special drawer (vegetable drawer).
- It is advisable not to keep the exotic fruits like bananas, mangos, papayas etc. in the refrigerator.
- Vegetables like tomatoes, potatoes, onions, and garlic should not be kept in the refrigerator.
- Butter and cheese: place in an airtight container or wrap in an aluminium foil or a polythene bag to exclude as much air as possible.
- Bottles: close them with a cap and place them on the door bottle shelf, or (if available) on the bottle rack.
- Always refer to the expiry date of the products to know how long to keep them.

7. CARE AND CLEANING



WARNING!

Refer to Safety chapters.

7.1 General warnings

CAUTION!

Unplug the appliance before carrying out any maintenance operation.



This appliance contains hydrocarbons in its cooling unit; maintenance and recharging must therefore only be carried out by authorized technicians.



The accessories and parts of the appliance are not suitable for washing in a dishwasher.

7.2 Cleaning the interior

Before using the appliance for the first time, the interior and all internal accessories should be washed with lukewarm water and some neutral detergent to remove the typical smell of a brand-new product, then dried thoroughly.

CAUTION!

Do not use detergents, abrasive powders, chlorine or oil-based cleaners as they will damage the finish.

CAUTION!

The accessories and parts of the appliance are not suitable for washing in a dishwasher.

CAUTION!

Clean the control panel with a moist cloth. Do not use any detergents. After cleaning, wipe the control panel dry with a soft cloth.

7.3 Periodic cleaning

CAUTION!

Do not pull, move or damage any pipes and/or cables inside the appliance.

CAUTION!

Do not damage the cooling system.

CAUTION!

When moving the cabinet, lift by the front edge to avoid scratching the floor.

Clean the equipment regularly:

1. Clean the inside and accessories with lukewarm water and some neutral detergent.
2. Regularly check the door seals and wipe them clean to ensure they are clean and free from debris.
3. Rinse and dry thoroughly.

The lowest shelf, dividing the cooler compartment from the rest of the cabinet, can be removed only for cleaning. Pull out the shelf straight to remove it. The cover plates above the drawers in the compartment can be taken out for cleaning.

7.4 Defrosting of the freezer

The freezer compartment is frost free. This means that there is no build up of frost when it is in operation, neither on the internal walls, nor on the foods.

7.5 Defrosting of the fridge

Defrosting of the fridge compartment is automatic. The water that condenses flows into a recipient on the compressor and evaporates. The recipient cannot be removed.

7.6 Periods of non-operation

When the appliance is not in use for long periods, take the following precautions:

1. Disconnect the appliance from electricity supply.
2. Remove all food.
3. Clean the appliance and all accessories.
4. Leave the doors open to prevent unpleasant smells.

8. TROUBLESHOOTING

WARNING!

Refer to Safety chapters.

8.1 What to do if...

Problem	Possible cause	Solution
The appliance does not operate.	The appliance is switched off.	Switch on the appliance.
	The mains plug is not connected to the mains socket correctly.	Connect the mains plug to the mains socket correctly.
	There is no voltage in the mains socket.	Connect a different electrical appliance to the mains socket. Contact a qualified electrician.
The appliance is noisy.	The appliance is not supported properly.	Check if the appliance stands stable.
Acoustic or visual alarm is on.	The cabinet has been recently switched on.	Refer to "High temperature alarm".
	The temperature in the appliance is too high.	Refer to "High temperature alarm".
Acoustic or visual alarm is on.	The door is left open.	Close the door.
The compressor operates continually.	Temperature is set incorrectly.	Refer to "Control panel" chapter.
	Too much food is put in at the same time.	Wait a few hours and then check the temperature again.
	The room temperature is too high.	Refer to "Installation" chapter.
	Food placed in the appliance is too warm.	Allow food to cool to room temperature before storing.
	The door is not closed correctly.	Refer to "Closing the door" section.
	The Extra Freeze function is switched on.	Refer to "Extra Freeze function" section.
	The Extra Cool function is switched on.	Refer to "Extra Cool function" section.
The compressor does not start immediately after pressing the "Extra Freeze" or "Extra Cool", or after changing the temperature.	The compressor starts after a period of time.	This is normal, no error has occurred.
Door is misaligned or interferes with ventilation grill.	The appliance is not levelled.	Refer to installation instructions.
Door does not open easily.	You attempted to re-open the door immediately after closing.	
The lamp does not work.	The lamp is in stand-by mode.	Close and open the door.

Problem	Possible cause	Solution
	The lamp is defective.	Contact the Authorized Service Centre.
There is too much frost and ice.	The door is not closed correctly.	Refer to "Closing the door" section.
	The gasket is deformed or dirty.	Refer to "Closing the door" section.
	Food is not wrapped properly.	Wrap the food properly.
	Temperature is set incorrectly.	Refer to "Control panel" chapter.
	Appliance is fully loaded and is set to the lowest temperature.	Set a higher temperature. Refer to "Control panel" chapter.
	Temperature set in the appliance is too low and the ambient temperature is too high.	Set a higher temperature. Refer to "Control panel" chapter.
Water flows on the rear plate of the refrigerator.	During the automatic defrosting process, frost melts on the rear plate.	This is correct.
There is too much condensed water on the rear wall of the fridge.	Door was opened too frequently.	Open the door only when necessary.
	Door was not closed completely.	Make sure the door is closed completely.
	Stored food was not wrapped.	Wrap food in suitable packaging before storing it in the appliance.
	This is normal that during summer and autumn more condensation can form due to the increased air and food humidity. Fridge does not produce any moisture. After this period, the humidity in the fridge decreases itself.	In summer and autumn, set the warmer temperature in the refrigerator (approx. 6-7°C).
There are water drops on the glass shelves.	There is too much moisture inside the fridge.	Wipe the glass shelves with a cloth to remove water drops.
Temperature cannot be set.	The Extra Freeze function or Extra Cool function is switched on.	Switch off Extra Freeze function or Extra Cool function manually, or wait until it deactivates automatically. Refer to "Extra Freeze function" or "Extra Cool function" section.
The temperature in the appliance is too low/too high.	The temperature is not set correctly.	Set a higher/lower temperature.
	The door is not closed correctly.	Refer to the "Closing the door" section.
	The food is too hot.	Let the food cool down before storage.
	Too much food is stored at the same time.	Store less food at the same time.
	The door has been opened often.	Open the door only if necessary.

Problem	Possible cause	Solution
	The Extra Freeze function is switched on.	Refer to the "Extra Freeze function" section.
	The Extra Cool function is switched on.	Refer to the "Extra Cool function" section.
	There is no cold air circulation in the appliance.	Ensure cold air circulation in the appliance. Refer to the "Hints and tips" chapter.



If the problem persists, contact the Authorised Service Centre.

8.2 Replacing the lamp

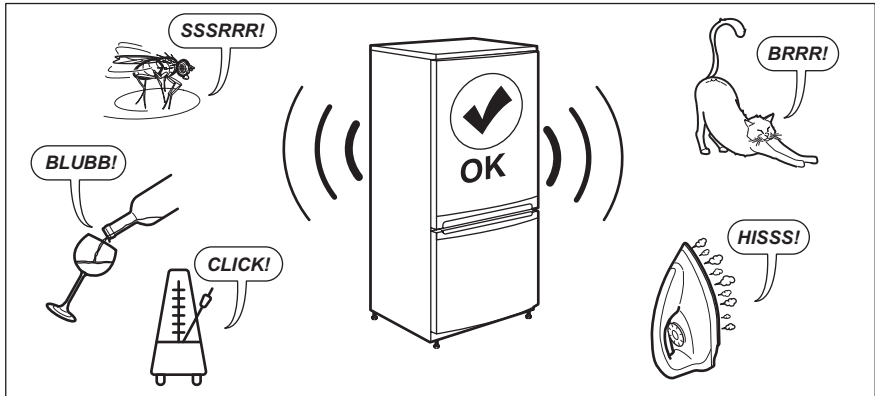
The appliance is equipped with a longlife LED interior light.

Only service is allowed to replace the lighting device. Contact your Authorised Service Centre.

8.3 Closing the door

1. Clean the door gaskets.
2. If necessary, adjust the door. Refer to the "Installation" chapter.
3. If necessary, replace the defective door gaskets. To obtain more information, contact the Authorised Service Centre.

9. NOISES



10. TECHNICAL DATA

The technical information is situated in the rating plate on the internal side of the appliance and on the energy label.

The QR code on the energy label supplied with the appliance provides a web link to the

information related to the performance of the appliance in the EU EPREL database. Keep the energy label for reference together with the user manual and all other documents provided with this appliance.

It is also possible to find the same information in EPREL using the link <https://eprel.ec.europa.eu> and the model name and product number that you find on the rating plate of the appliance.


See the link www.theenergylabel.eu for detailed information about the energy label.


11. INFORMATION FOR TEST INSTITUTES

Installation and preparation of the appliance for any EcoDesign verification shall be compliant with EN 62552 (EU). Ventilation requirements, recess dimensions and minimum rear clearances shall be as stated

in this User Manual in "Installation". Please contact the manufacturer for any other further information, including loading plans.

12. ENVIRONMENTAL CONCERNS

Recycle materials with the symbol . Put the packaging in relevant containers to recycle it. Help protect the environment and human health by recycling waste of electrical and electronic appliances. Do not dispose of

appliances marked with the symbol  with the household waste. Return the product to your local recycling facility or contact your municipal office.

Bienvenue chez Electrolux ! Nous vous remercions d'avoir choisi l'un de nos appareils.



Obtenir des conseils d'utilisation, des brochures, un dépanneur, des informations sur le service et les réparations :
www.electrolux.com/support

Sous réserve de modifications.

TABLE DES MATIÈRES

1. INFORMATIONS DE SÉCURITÉ.....	23
2. CONSIGNES DE SÉCURITÉ.....	25
3. INSTALLATION.....	28
4. FONCTIONNEMENT.....	30
5. UTILISATION QUOTIDIENNE.....	33
6. CONSEILS.....	38
7. ENTRETIEN ET NETTOYAGE.....	40
8. DÉPANNAGE.....	42
9. BRUITS.....	45
10. DONNÉES TECHNIQUES.....	45
11. INFORMATIONS POUR LES LABORATOIRES D'ESSAIS.....	45
12. EN MATIÈRE DE PROTECTION DE L'ENVIRONNEMENT.....	45

1. ⚠ INFORMATIONS DE SÉCURITÉ

Avant d'installer et d'utiliser cet appareil, lisez soigneusement les instructions fournies. Le fabricant ne pourra être tenu pour responsable des blessures et dégâts résultant d'une mauvaise installation ou utilisation. Conservez toujours les instructions dans un lieu sûr et accessible pour vous y référer ultérieurement.

1.1 Sécurité des enfants et des personnes vulnérables

- Cet appareil peut être utilisé par des enfants âgés d'au moins 8 ans et par des personnes ayant des capacités physiques, sensorielles ou mentales réduites ou dénuées d'expérience ou de connaissance, s'ils sont correctement surveillés ou si des instructions relatives à l'utilisation de l'appareil en toute sécurité leur ont été données et s'ils

comprennent les risques encourus. Les enfants de 3 à 8 ans et les personnes atteintes de handicaps graves ou très lourds peuvent charger et décharger l'appareil à condition qu'ils aient reçu des instructions appropriées. Les enfants de moins de 3 ans doivent être tenus à l'écart de l'appareil, à moins d'être surveillés en permanence.

- Veillez à ce que les enfants ne jouent pas avec l'appareil.
- Le nettoyage et l'entretien par l'utilisateur ne doivent pas être effectués par des enfants sans surveillance.
- Ne laissez pas les emballages à la portée des enfants et jetez-les convenablement.

1.2 Sécurité générale

- Cet appareil sert uniquement à stocker des aliments et des boissons.
- Cet appareil est conçu pour un usage domestique ménager, dans un environnement intérieur.
- Cet appareil peut être utilisé dans les bureaux, les chambres d'hôtel, les chambres d'hôtes, les maisons d'hôtes de ferme et d'autres hébergements similaires lorsque cette utilisation ne dépasse pas le niveau (moyen) de l'utilisation domestique.
- Pour éviter la contamination des aliments, respectez les instructions suivantes :
 - n'ouvrez pas la porte pendant de longues durées ;
 - nettoyez régulièrement les surfaces pouvant être en contact avec les aliments et les systèmes d'évacuation accessibles ;
 - conservez la viande et le poisson crus dans des récipients appropriés dans le réfrigérateur, afin qu'ils ne soient pas en contact ou ne coulent pas sur d'autres aliments.
- **AVERTISSEMENT** : Veillez à ce que les orifices de ventilation situés dans l'enceinte de l'appareil ou la structure intégrée ne soient pas obstrués.

- **AVERTISSEMENT** : N'utilisez aucun dispositif mécanique ou autre pour accélérer le processus de dégivrage, outre ceux recommandés par le fabricant.
- **AVERTISSEMENT** : Veillez à ne pas endommager le circuit réfrigérant.
- **AVERTISSEMENT** : N'utilisez pas d'appareils électriques à l'intérieur des compartiments de conservation des aliments de l'appareil, sauf s'ils sont du type recommandé par le fabricant.
- Ne pulvérisez pas d'eau ni de vapeur pour nettoyer l'appareil.
- Nettoyez l'appareil avec un chiffon doux et humide. Utilisez uniquement des produits de lavage neutres. N'utilisez pas de produits abrasifs, de tampons à récurer, de solvants ou d'objets métalliques.
- Si l'appareil est vide pendant une longue durée, éteignez-le, dégivrez-le, nettoyez-le, séchez-le et laissez la porte ouverte pour empêcher le développement de moisissure dans l'appareil.
- Ne conservez aucune substance explosive dans cet appareil, comme des aérosols contenant un produit inflammable.
- Si le câble d'alimentation est endommagé, il doit être remplacé par le fabricant, son service après-vente ou par un professionnel qualifié afin d'éviter un danger.

2. CONSIGNES DE SÉCURITÉ

2.1 Installation

AVERTISSEMENT!

L'appareil doit être installé uniquement par un professionnel qualifié.

- Retirez l'intégralité de l'emballage.
- N'installez pas et ne branchez pas un appareil endommagé.
- Suivez scrupuleusement les instructions d'installation fournies avec l'appareil.

- Soyez toujours vigilants lorsque vous déplacez l'appareil car il est lourd. Utilisez toujours des gants de sécurité et des chaussures fermées.
- Assurez-vous que l'air puisse circuler autour de l'appareil.
- Lors de la première installation ou après avoir inversé la porte, attendez au moins 4 heures avant de brancher l'appareil sur le secteur. Cela permet à l'huile de refouler dans le compresseur.

- Avant toute opération sur l'appareil (par ex. inversion de la porte), débranchez la fiche de la prise de courant.
- N'installez pas l'appareil à proximité d'un radiateur ou d'une cuisinière, d'un four ou d'une table de cuisson, sauf indication contraire dans les instructions d'installation.
- N'exposez pas l'appareil à la pluie.
- N'installez pas l'appareil dans un endroit exposé à la lumière directe du soleil.
- N'installez pas l'appareil dans une pièce trop humide ou trop froide.
- Lorsque vous déplacez l'appareil, veillez à le soulever par l'avant pour éviter d'érafler le sol.

2.2 Branchement électrique

AVERTISSEMENT!

Risque d'incendie ou d'électrocution.

AVERTISSEMENT!

Lorsque vous installez l'appareil, assurez-vous que le câble d'alimentation n'est pas coincé ou endommagé.

AVERTISSEMENT!

N'utilisez pas d'adaptateurs multiprises et de rallonges.

- L'appareil doit être relié à la terre.
- Assurez-vous que les paramètres figurant sur la plaque signalétique correspondent aux données électriques nominale de l'alimentation secteur.
- Utilisez toujours une prise de courant de sécurité correctement installée.
- Veillez à ne pas endommager les composants électriques (comme par exemple, la fiche secteur, le câble d'alimentation ou le compresseur). Contactez le service après-vente agréé ou un électricien pour changer les composants électriques.
- Le câble d'alimentation doit rester au-dessous du niveau de la prise secteur.
- Ne branchez la fiche secteur dans la prise secteur qu'à la fin de l'installation. Assurez-vous que la prise secteur est accessible après l'installation.

- Ne tirez pas sur le câble secteur pour débrancher l'appareil. Tirez toujours sur la fiche de la prise secteur.

2.3 Utilisation

AVERTISSEMENT!

Risque de blessures, de brûlures, d'électrocution ou d'incendie.



L'appareil contient un gaz inflammable, l'isobutane (R600a), un gaz naturel ayant un niveau élevé de compatibilité environnementale. Veillez à ne pas endommager le circuit frigorifique contenant de l'isobutane.

- Ne modifiez pas les spécifications de cet appareil.
- Ne placez aucun appareil électrique (comme par exemple, une sorbetière) dans l'appareil si cela n'est pas autorisé par le fabricant.
- Si le circuit frigorifique est endommagé, assurez-vous de l'absence de flammes et de sources d'ignition dans la pièce. Aérez la pièce.
- Évitez tout contact d'éléments chauds avec les parties en plastique de l'appareil.
- Ne placez jamais de boissons gazeuses dans le congélateur. Cela engendrerait une pression sur le récipient de la boisson.
- Ne stockez jamais de gaz ou de liquide inflammable dans l'appareil.
- Ne placez pas de produits inflammables ou d'éléments imbibés de produits inflammables à l'intérieur, à proximité ou au-dessus de l'appareil.
- Ne touchez ni le compresseur, ni le condenseur. Ils sont chauds.
- Ne retirez pas et ne touchez pas les éléments du compartiment congélateur avec les mains mouillées.
- Ne recongelez jamais un aliment qui a été décongelé.
- Respectez les instructions de stockage figurant sur l'emballage des aliments surgelés.
- Emballez les aliments dans un emballage adapté au contact avec des aliments

avant de les placer dans le compartiment congélateur.

- Ne laissez pas les aliments entrer en contact avec les parois intérieures des compartiments de l'appareil.

2.4 Éclairage interne

AVERTISSEMENT!

Risque d'électrocution.

- Ce produit contient une ou plusieurs sources lumineuses de classe d'efficacité énergétique F.
- Concernant la/les lampe(s) à l'intérieur de ce produit et les lampes de rechange vendues séparément : Ces lampes sont conçues pour résister à des conditions physiques extrêmes dans les appareils électroménagers, telles que la température, les vibrations, l'humidité, ou sont conçues pour signaler des informations sur le statut opérationnel de l'appareil. Elles ne sont pas destinées à être utilisées dans d'autres applications et ne conviennent pas à l'éclairage des pièces d'un logement.

2.5 Entretien et nettoyage

AVERTISSEMENT!

Risque de blessure ou de dommages matériels.

- Avant toute opération d'entretien, désactivez l'appareil et débranchez la fiche secteur.
- Cet appareil contient des hydrocarbures dans son circuit de réfrigération. L'entretien et la recharge de l'unité doivent être effectués par un professionnel qualifié.

2.6 Service

- Pour réparer l'appareil, contactez le service après-vente agréé. Utilisez

uniquement des pièces de rechange d'origine.

- Veuillez noter qu'une autoréparation ou une réparation non professionnelle peuvent avoir des conséquences sur la sécurité et annuler la garantie.
- Les pièces détachées suivantes sont disponibles pendant au moins 7 ans après l'arrêt du modèle : thermostats, capteurs de température, cartes circuits imprimées, sources lumineuses, poignées de portes, charnières de portes, plaques et balconnets. Les joints de porte sont disponibles pendant au moins 10 ans après l'arrêt du modèle. Cette durée peut être plus longue dans certains pays. Pour plus d'informations, rendez-vous sur notre site internet.
- Veuillez noter que certaines de ces pièces détachées ne sont disponibles qu'auprès de réparateurs professionnels et que toutes les pièces détachées ne sont pas adaptées à tous les modèles.

2.7 Mise au rebut

AVERTISSEMENT!

Risque de blessure ou d'asphyxie.

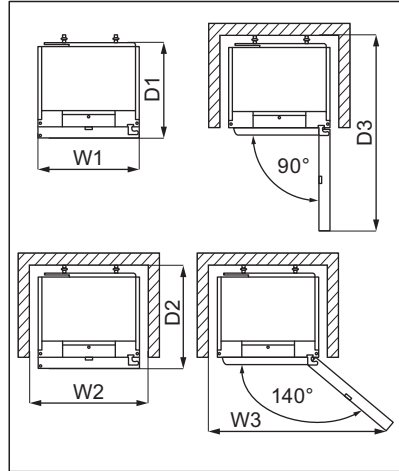
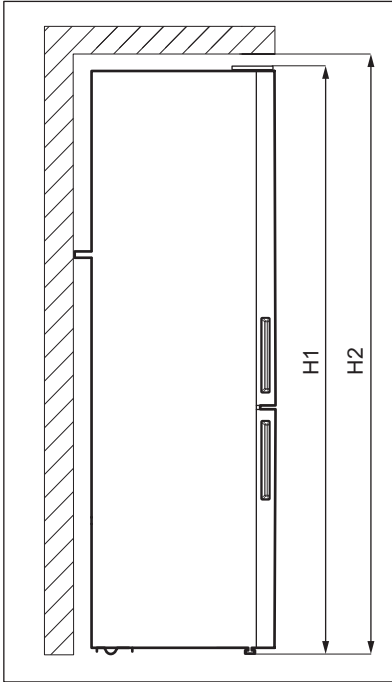
- Débranchez l'appareil de l'alimentation électrique.
- Coupez le câble d'alimentation et mettez-le au rebut.
- Retirez la porte pour empêcher les enfants et les animaux de s'enfermer dans l'appareil.
- Le circuit frigorifique et les matériaux d'isolation de cet appareil préservent la couche d'ozone.
- La mousse isolante contient un gaz inflammable. Contactez votre service municipal pour obtenir des informations sur la marche à suivre pour mettre l'appareil au rebut.
- N'endommagez pas la partie du circuit de réfrigération située à proximité du condenseur thermique.

3. INSTALLATION

⚠ AVERTISSEMENT!

Reportez-vous aux chapitres relatifs à la Sécurité.

3.1 Dimensions



Dimensions hors-tout ¹

H1	mm	1870
W1	mm	595
D1	mm	639

¹ hauteur, largeur et profondeur de l'appareil sans la poignée

Espace requis en service ²

H2	mm	1900
----	----	------

Espace requis en service ²

W2	mm	600
D2	mm	700

² hauteur, largeur et profondeur de l'appareil avec la poignée, plus l'espace nécessaire pour la libre circulation de l'air de refroidissement

Espace total requis en service ³		
H2	mm	1900
W3	mm	1031
D3	mm	1256

³ hauteur, largeur et profondeur de l'appareil avec la poignée, plus l'espace nécessaire pour la libre circulation de l'air de refroidissement, plus l'espace nécessaire pour autoriser l'ouverture de la porte à l'angle minimal permettant le retrait de tous les équipements internes

3.2 Emplacement

Cet appareil n'est pas destiné à être utilisé en tant qu'appareil encastré.

En cas d'installation différente d'une installation autonome respectant l'espace requis dans les dimensions d'utilisation, l'appareil fonctionnera correctement, mais la consommation énergétique pourra légèrement augmenter.

Pour garantir le bon fonctionnement de l'appareil, il ne faut pas l'installer dans un endroit exposé à la lumière directe du soleil. N'installez pas l'appareil à proximité de la source de chaleur (four, cuisinière, radiateur, cuisinière, hotte, table de cuisson ou table d'extraction), sauf indication contraire dans les instructions d'installation. Assurez-vous que l'air peut circuler librement autour de l'arrière du meuble.

Cet appareil doit être installé dans un lieu sec et bien ventilé en intérieur.

Pour garantir des performances optimales si l'appareil est installé sous un élément suspendu, la distance minimale avec le haut de l'appareil doit être maintenue. Dans l'idéal, cependant, l'appareil ne doit pas être placé sous des éléments muraux suspendus. Pour garantir que l'appareil est de niveau, réglez le ou les pieds réglables sous l'appareil.

ATTENTION!

Si vous placez l'appareil contre un mur, utilisez les entretoises arrière fournies ou laissez la distance minimale indiquée dans les instructions d'installation.

ATTENTION!

Si vous installez l'appareil à proximité d'un mur, consultez les instructions d'installation pour déterminer la distance minimale entre le mur et la paroi de l'appareil équipée des charnières de porte. Ainsi, vous aurez assez de place pour ouvrir la porte et retirer les accessoires intérieurs (par exemple pour le nettoyage).

Cet appareil est destiné à être utilisé à une température ambiante comprise entre 10°C et 43°C.



Seul le respect de la plage de températures spécifiée peut garantir un bon fonctionnement de l'appareil.



En cas de doute concernant l'emplacement d'installation de l'appareil, veuillez contacter le vendeur, notre service après-vente ou le service après-vente agréé le plus proche.



L'appareil doit pouvoir être débranché de l'alimentation électrique. C'est pourquoi la prise électrique doit être facilement accessible après l'installation.

3.3 Branchement électrique

- Avant de brancher, assurez-vous que la tension et la fréquence indiquées sur la plaque signalétique correspondent à votre alimentation électrique domestique.
- L'appareil doit être relié à la terre. La fiche du câble d'alimentation est munie d'un contact à cet effet. Si la prise d'alimentation électrique domestique n'est pas reliée à la terre, branchez l'appareil à une prise de terre séparée conformément aux réglementations en vigueur, en vous adressant à un électricien qualifié.
- Le fabricant décline toute responsabilité si les précautions de sécurité ci-dessus ne sont pas respectées.

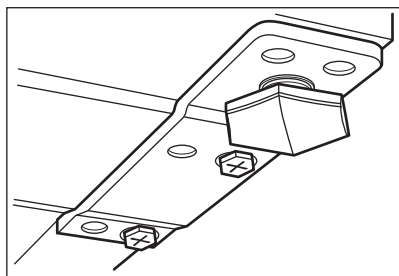
3.4 Mise à niveau



L'alignement de la porte dépend de la mise de niveau de l'appareil.

Il est préférable de vider l'appareil avant d'effectuer cette opération.

Lorsque vous placez l'appareil, assurez-vous qu'il est d'aplomb. Servez-vous des deux pieds réglables se trouvant sous l'avant de l'appareil.



3.5 Entretoises arrière



Veillez vous reporter au document séparé contenant des instructions sur l'installation et l'inversion du sens d'ouverture de la porte.

ATTENTION!

Si vous placez l'appareil contre le mur dans une installation autonome, installez les entretoises arrière afin de garantir la distance minimale requise pour la circulation de l'air. Utilisez les entretoises arrière fournies comme indiqué dans les instructions d'installation.

3.6 Réversibilité de la porte

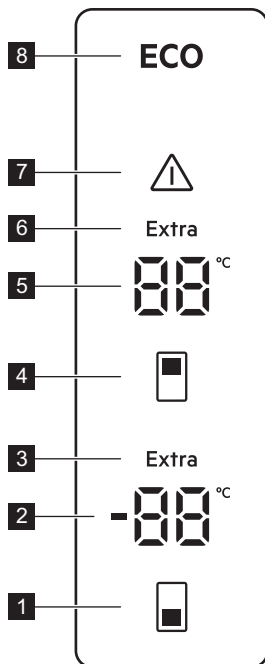
Veillez vous reporter au document séparé contenant des instructions sur l'installation et l'inversion du sens d'ouverture de la porte.

ATTENTION!

À chaque étape de réversibilité de la porte, protégez le sol pour éviter les rayures dues aux matériaux durs.

4. FONCTIONNEMENT


4.1 Bandeau de commande



- 1 Bouton de température du congélateur
- 2 Voyant du compartiment congélateur
- 3 Voyant Extra Freeze
- 4 Bouton de température du réfrigérateur
- 5 Voyant du compartiment réfrigérateur
- 6 Voyant Extra Cool
- 7 Voyant d'alarme
- 8 Voyant ECOMETER


4.2 Activation


1. Branchez la fiche électrique de l'appareil à la prise de courant.
2. Appuyez sur les touches de température du congélateur et de température du réfrigérateur et maintenez-les enfoncées pendant quelques 10 secondes.

L'affichage indique  clignotant.

4.3 Désactivation

1. Appuyez sur les touches de température du congélateur et de température du réfrigérateur et maintenez-les enfoncées pendant quelques 10 secondes.

L'affichage indique le voyant  clignotant.

2. L'appareil est éteint et l'indication  fixe remplace la température du réfrigérateur. Débranchez la fiche d'alimentation de la prise secteur.

4.4 Réglage de la température

Réglez la température de l'appareil en appuyant sur les touches de température. Températures de réglage recommandées :

- +4°C pour le réfrigérateur
 - -18°C pour le congélateur
- La plage de température peut varier entre -15 et -24 °C pour le congélateur et entre 2 et 8 °C pour le réfrigérateur.



Les indicateurs de température affichent la température réglée. La température réglée sera atteinte dans les 24 heures. Après une coupure de courant, la température réglée reste enregistrée.



Le voyant LED ECO est allumé lorsque la température ou le niveau recommandé est réglé.



Désactivez la fonction Extra Freeze avant de régler un niveau de température différent du congélateur.

4.5 ECO fonction

La fonction ECO garantit une consommation d'énergie minimale avec une température optimale pour la conservation des aliments.

Pendant ce mode :

- La température réglée du compartiment réfrigérateur est de 4°C.
- La température réglée du compartiment congélateur est de -18 °C.

Pour désactiver la fonction ECO :

- réglez une température différente. Reportez-vous à la section Fonction « Réglage de la température »
- activez les fonctions Extra Cool et Extra Freeze.

4.6 Fonction Extra Cool

Si vous devez introduire une grande quantité d'aliments à température ambiante dans le compartiment réfrigérateur, par exemple après avoir fait vos courses, activez la fonction Extra Cool. Cette fonction accélère le refroidissement et empêche les aliments stockés de se réchauffer.

Pour activer la fonction, appuyez sur la touche de température du réfrigérateur et maintenez-la enfoncée jusqu'à ce que le voyant Extra Cool s'allume.

La fonction s'arrête automatiquement au bout d'environ 6 heures.

Pour désactiver la fonction Extra Cool avant sa fin automatique, appuyez sur la touche de température du réfrigérateur et maintenez-la enfoncée jusqu'à ce que le voyant Extra Cool s'éteigne.

Pour régler une température différente pour le réfrigérateur, désactivez la fonction Extra Cool. Reportez-vous à la section « Réglage de la température ».

4.7 Fonction Extra Freeze

La fonction Extra Freeze permet d'effectuer successivement la précongélation et la congélation rapide dans le compartiment congélateur. Cette fonction accélère la congélation des aliments frais et protège les denrées déjà entreposées du réchauffement.



Pour congeler des aliments frais, activez la fonction Extra Freeze au moins 4 heures avant de placer les aliments afin d'achever la précongélation.

Pour activer la fonction Extra Freeze, appuyez sur la touche de température du congélateur et maintenez-la enfoncée jusqu'à ce que le voyant Extra Freeze s'allume.

Cette fonction s'arrête automatiquement au bout de 24 heures.

Pour désactiver la fonction Extra Freeze avant sa fin automatique, appuyez sur la touche de température du congélateur et maintenez-la enfoncée jusqu'à ce que le voyant Extra Freeze s'éteigne.

4.8 Alarme porte ouverte

Si la porte du réfrigérateur ou du congélateur reste ouverte pendant environ 5 minutes, l'alarme se déclenche. Pendant l'alarme :

- un signal sonore retentit,
- les voyants de température clignotent,
- le voyant d'alarme de la clignote.

Le voyant interne du réfrigérateur peut clignoter.

L'alarme sonore s'arrête dès que la porte est fermée.

Vous pouvez désactiver l'alarme en appuyant sur n'importe quelle touche.



Le son s'arrête automatiquement après 1 heure.

4.9 Alarme haute température



L'alarme se déclenche lorsque vous branchez l'appareil pour la première fois.

Compartment congélateur

L'alarme se déclenche lorsque la température du compartiment congélateur est trop élevée.

Pendant l'alarme :

- l'affichage indique **E09** clignotant,
- le voyant d'alarme clignote,
- le son de l'alarme est activé.

Désactivation de l'alarme

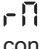
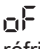
- Appuyez sur n'importe quel touche du bandeau de commande pour désactiver l'alarme. Le voyant d'alarme et le signal sonore s'éteignent. L'affichage indique **E09** pendant 5 secondes, puis la température actuelle du congélateur s'affiche.
- Le son de l'alarme s'éteint automatiquement après 1 heure. Si la température est toujours trop élevée, l'alarme se déclenche à nouveau.



- Lorsque la température revient à la valeur réglée, l'alarme s'éteint et l'affichage normal se rétablit.

4.10 Mode Rest

Le mode Rest garantit une conservation optimale des aliments tout en minimisant la consommation d'énergie pendant les périodes de non-utilisation.

Pour activer le mode Rest, appuyez sur la touche de température du congélateur et maintenez-la enfoncée pendant 5 secondes. L'affichage indique :

-  sur le voyant de température du congélateur,
-  sur le voyant de température du réfrigérateur.

Appuyez sur la touche de température du congélateur pour activer ou désactiver le mode Rest. Le voyant de température du congélateur passe à  pour le mode activé ou à  pour le mode Rest désactivé.

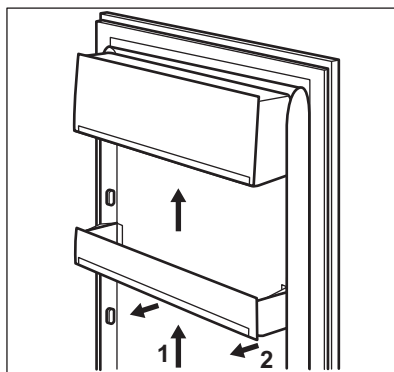
Le mode Rest s'active au bout de 3 jours sans interaction avec l'appareil. Le mode Rest se désactive automatiquement après toute interaction avec l'appareil.

5. UTILISATION QUOTIDIENNE

5.1 Positionnement des étagères de porte

Pour permettre la conservation d'emballages alimentaires de différentes tailles, les balconnets de la porte peuvent être placés à des hauteurs différentes.

1. Soulevez doucement le balconnet jusqu'à ce qu'il se détache.
2. Repositionnez comme souhaité.



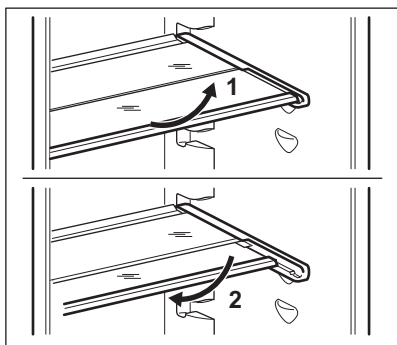
5.2 Clayettes amovibles

Les parois du réfrigérateur sont équipées d'une série de glissières afin que les clayettes puissent être positionnées comme vous le souhaitez.

Cet appareil est également doté d'une clayette composée de deux parties. La partie avant de la clayette peut être rabattue et placée sous la seconde partie pour une meilleure utilisation de l'espace.

Pour rabattre la clayette :

1. Sortez doucement la partie avant.
2. Faites-la glisser dans le rail inférieur, sous la seconde moitié.



Ne modifiez pas l'emplacement de la clayette en verre située au-dessus du bac à légumes, afin de garantir une circulation d'air optimale.

5.3 Bac GreenZone

Il y a un bac dans la partie inférieure du compartiment réfrigérateur.

L'étagère en verre du GreenZone est équipée d'un dispositif qui régule son étanchéité et fournit une humidité optimale à l'intérieur du bac.

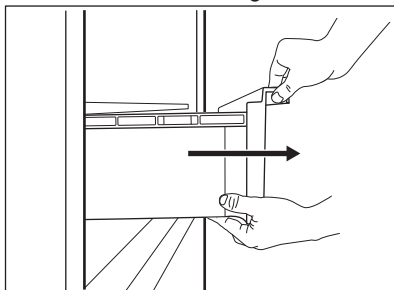
5.4 Retrait du bac GreenZone



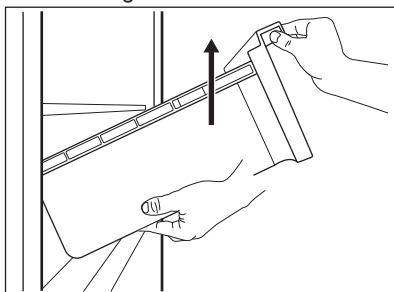
Nous vous recommandons de vider le bac avant de le sortir du réfrigérateur.

Pour sortir le bac :

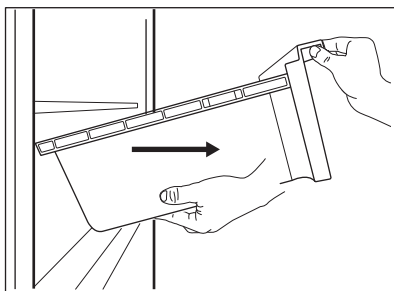
1. Tirez le bac hors du réfrigérateur.



2. Soulevez légèrement l'avant du bac.

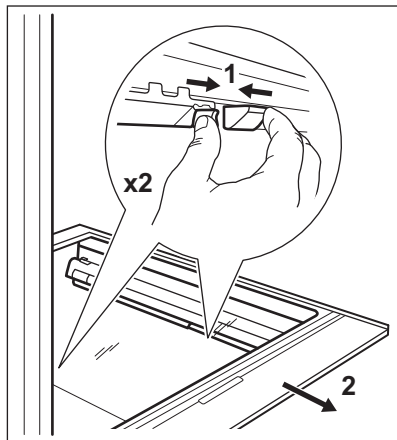


3. Tirez le bac vers l'extérieur tout en le soulevant.

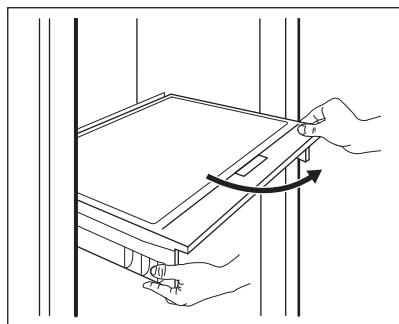


Pour retirer le couvercle en verre du bac GreenZone :

1. Déverrouiller simultanément la fixation latérale des deux côtés.



2. Tirez le support de la clayette en verre vers vous.

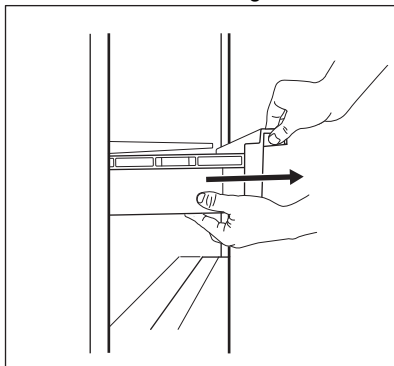


5.5 Retrait ExtraChill

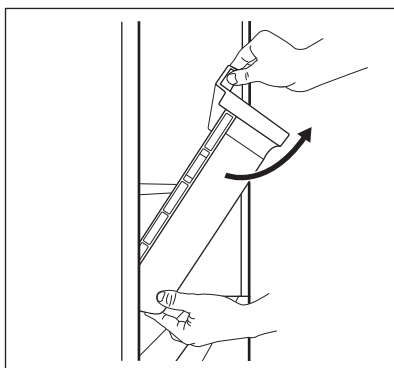
Un bac se trouve au-dessus du bac GreenZone.

Pour sortir le bac :

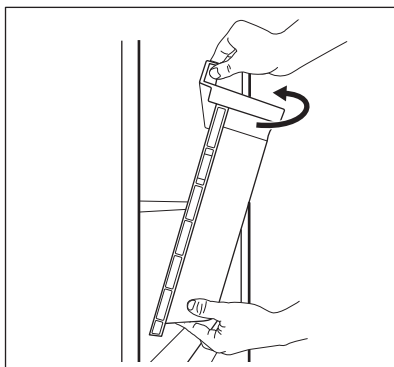
1. Tirez le bac hors du réfrigérateur.



2. Soulevez légèrement l'avant du bac.



3. Soulevez et tournez le bac pour le sortir de l'appareil.



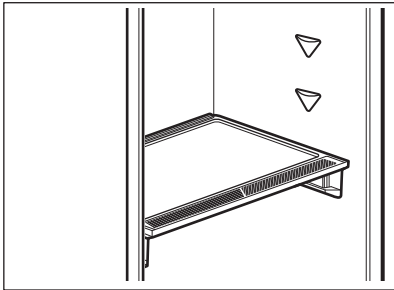
La clayette située au-dessus du bac ne peut être retirée de l'appareil qu'à des fins de nettoyage.

5.6 Contrôle de l'humidité

La clayette en verre du bac GreenZone est équipée d'un dispositif qui régule son étanchéité et fournit une humidité optimale à l'intérieur du bac.

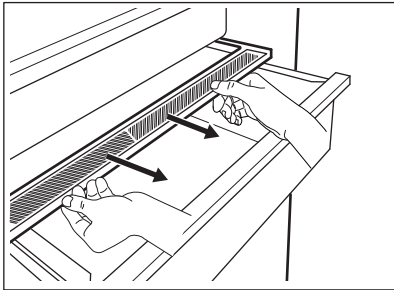


Ne placez aucun produit alimentaire sur le dispositif de contrôle de l'humidité.

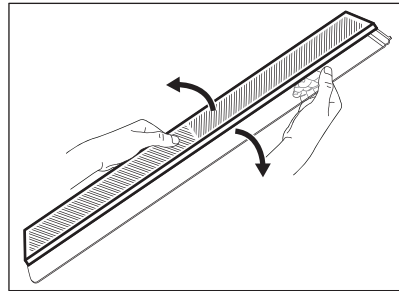


Pour retirer le dispositif de contrôle de l'humidité :

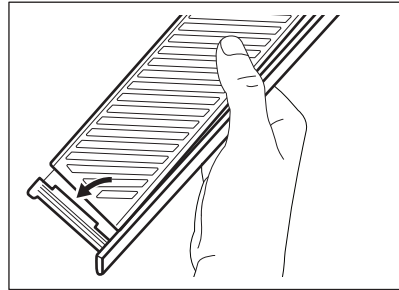
1. Ouvrez le bac sous la clayette en verre et retirez le couvercle.



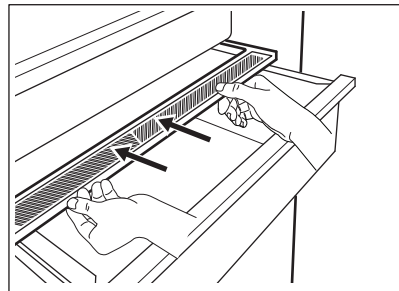
2. Si vous devez remplacer la membrane blanche de l'appareil, saisissez l'appareil au milieu et séparez la membrane du couvercle en tirant sur le couvercle.



3. Assemblez une nouvelle membrane dans le couvercle en appuyant sur le bord de la membrane dans le couvercle.



4. Repositionnez le dispositif de contrôle de l'humidité sur le bac.



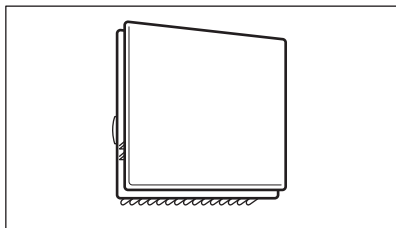
En fonction de la quantité et de l'état des fruits et légumes stockés dans le GreenZone bac, il se peut que de la condensation se produise. Dans ce cas, éliminez la condensation à l'aide d'un chiffon doux.

5.7 MULTIFLOW

Le compartiment réfrigérateur est équipé du dispositif MULTIFLOW qui permet un

refroidissement rapide et plus efficace des aliments et le maintien d'une température plus uniforme dans chaque partie du compartiment réfrigérateur.

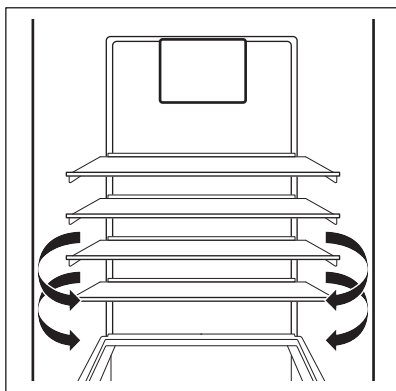
Ce dispositif s'active automatiquement en cas de besoin.



Le dispositif MULTIFLOW ne fonctionne que lorsque la porte est fermée.



N'obstruez pas les orifices d'aération pour permettre un meilleur refroidissement.



Ne retirez pas le panneau MULTIFLOW. Ne pulvérisez pas d'eau ni de vapeur pour nettoyer l'appareil. Pour les instructions de nettoyage, reportez-vous au chapitre « Entretien et nettoyage ».

5.8 Congeler des aliments frais

Le compartiment du congélateur est parfait pour congeler des denrées fraîches et

conserver à long terme des aliments surgelés ou congelés.

Pour congeler des aliments frais, activez la fonction Extra Freeze au moins 4 heures avant de placer les aliments à conserver dans le compartiment de congélation.

Conservez les aliments frais répartis uniformément dans le premier compartiment ou bac en partant du haut.

La quantité maximale d'aliments pouvant être congelés, sans ajouter d'autres aliments frais pendant 24 heures, figure sur la plaque signalétique (étiquette située à l'intérieur de l'appareil).

Une fois le processus de congélation terminé, l'appareil revient au réglage de température précédent. Reportez-vous à « Fonction Extra Freeze ».

Pour plus d'informations, reportez-vous à la section « Conseils pour la congélation ».

5.9 Conservation des plats surgelés

Lors de la mise en service ou après un arrêt prolongé et avant d'introduire les produits dans le compartiment, laissez fonctionner l'appareil au moins 3 heures avec la fonction Extra Freeze allumée.

Les tiroirs du congélateur permettent de retrouver rapidement et facilement les aliments que vous recherchez. Si vous devez conserver une grande quantité d'aliments, retirez tous les bacs et placez les aliments sur les clayettes. Laissez le tiroir inférieur en place pour assurer une bonne circulation de l'air.

Gardez les aliments sur les clayettes à 15 mm de la porte.

ATTENTION!

En cas de décongélation accidentelle causée par une coupure de courant par exemple, si la durée de la mise hors tension est supérieure à la valeur indiquée sur la plaque signalétique sous « Autonomie de fonctionnement », les aliments décongelés doivent être consommés rapidement ou cuits immédiatement avant d'être refroidis, puis recongelés. Reportez-vous à la section Fonction « Alarme haute température »

5.10 Décongélation

Avant utilisation, les aliments surgelés ou congelés peuvent être décongelés dans le

compartiment réfrigérateur ou à température ambiante en fonction du temps disponible pour cette opération.

Les petites portions peuvent même être cuites sans décongélation préalable : dans ce cas, la cuisson durera plus longtemps.

5.11 Fabrication de glaçons

Cet appareil est équipé d'un ou plusieurs bacs à glaçons.



N'utilisez pas d'instruments métalliques pour décoller les bacs du congélateur.

1. Remplissez les bacs avec de l'eau.
2. Placez les bacs à glaçons dans le compartiment congélateur.

6. CONSEILS

6.1 Conseils pour économiser l'énergie

- Congélateur : La configuration interne de l'appareil permet une consommation d'énergie la plus efficace possible.
- Réfrigérateur : L'utilisation la plus efficace de l'énergie est assurée dans la configuration avec les tiroirs dans la partie inférieure de l'appareil et les clayettes réparties uniformément. La position des compartiments de porte n'affecte pas la consommation d'énergie.
- Évitez d'ouvrir fréquemment la porte et ne la laissez ouverte que le temps nécessaire.
- Congélateur : Plus le réglage de la température est bas, plus la consommation électrique est élevée.
- Réfrigérateur : Ne réglez pas une température trop élevée pour économiser l'énergie, sauf si cela est requis par les caractéristiques des aliments.
- Si la température ambiante est élevée, que le thermostat est réglé sur une température basse et que l'appareil est plein, le compresseur fonctionne en régime continu, ce qui provoque une formation de givre ou de glace sur l'évaporateur. Dans ce cas, réglez le thermostat sur une température plus

élevée pour permettre le dégivrage automatique et donc d'économiser de l'énergie.

- Assurez une bonne ventilation. Ne couvrez pas les grilles ou les orifices de ventilation.
- Assurez-vous que les produits alimentaires à l'intérieur de l'appareil permettent la circulation de l'air par les orifices dédiés à l'arrière de l'intérieur de l'appareil.

6.2 Conseils pour la congélation

- Activez la fonction Extra Freeze au moins 4 heures avant de placer les aliments à l'intérieur du compartiment du congélateur.
- Avant de congeler, emballez et fermez les aliments frais dans : papier aluminium, film ou sachets en plastique, récipients hermétiques avec couvercle.
- Pour une congélation et une décongélation plus efficaces, séparez les aliments en petites portions.
- Il est recommandé de mettre des étiquettes et des dates sur tous vos aliments congelés. Cela permettra d'identifier les aliments et de savoir quand ils peuvent être consommés avant leur détérioration.

- Les aliments doivent être frais lorsqu'ils sont congelés pour préserver leur qualité. En particulier, les fruits et les légumes doivent être congelés après leur récolte pour préserver tous leurs nutriments.
- Ne congelez pas des bouteilles ou des canettes avec des liquides, en particulier des boissons contenant du dioxyde de carbone : elles pourraient exploser pendant la congélation.
- N'introduisez pas d'aliments chauds dans le compartiment du congélateur. Laissez-les refroidir à température ambiante avant de les placer dans le compartiment.
- Pour éviter d'augmenter la température des aliments déjà surgelés, ne placez pas d'aliments frais non congelés directement à proximité. Placez les aliments à température ambiante dans la partie du compartiment du congélateur où il n'y a pas d'aliments congelés.
- Ne mangez pas les glaçons, les glaces à l'eau ou les bâtonnets glacés dès leur sortie du congélateur. Risque de gelure.
- Ne recongelez pas des aliments décongelés. Si les aliments sont décongelés, cuisez-les, laissez-les refroidir puis congelez-les.

6.3 Conseils pour le stockage des plats surgelés

- Le compartiment congélateur est marqué de ❄️ ❄️❄️❄️.
- Un réglage de température plus élevé à l'intérieur de l'appareil peut entraîner une durée de conservation plus courte.
- L'ensemble du compartiment du congélateur est adapté à la conservation de produits alimentaires congelés.
- Laissez suffisamment d'espace autour des aliments pour permettre à l'air de circuler librement.
- Pour une conservation adéquate, consultez l'étiquette de l'emballage des aliments pour connaître la durée de conservation des aliments.
- Il est important d'emballer les aliments de manière à empêcher l'eau, l'humidité ou la condensation de pénétrer à l'intérieur.

6.4 Conseils pour vos courses

Après vos courses :

- Assurez-vous que l'emballage n'est pas endommagé : les aliments pourraient être détériorés. Si l'emballage est gonflé ou mouillé, il n'a peut-être pas été conservé dans des conditions optimales et la décongélation a peut-être déjà commencé.
- Pour limiter le processus de décongélation, achetez les produits congelés à la fin de vos courses et transportez-les dans un sac isotherme.
- Placez les aliments congelés dans le congélateur immédiatement après être revenu de vos courses.
- Si les aliments sont décongelés même partiellement, ne les recongelez pas. Consommez-les dès que possible.
- Respectez la date d'expiration et les informations de conservation sur l'emballage.

6.5 Durée de conservation pour le compartiment du congélateur

Type d'aliment	Durée de conservation (mois)
Pain	3
Fruits (sauf agrumes)	6 - 12
Légumes	8 - 10
Restes (sans viande)	1 - 2
Produits laitiers :	
Beurre	6 - 9
Fromage à pâte molle (p. ex., mozzarella)	3 - 4
Fromage à pâte dure (p. ex., parmesan, cheddar)	6
Fruits de mer :	
Poisson gras (p. ex., saumon, maquereau)	2 - 3
Poisson maigre (p. ex., cabillaud, limande)	4 - 6
Crevettes	12
Palourdes et moules décortiquées	3 - 4
Poisson cuit	1 - 2
Viande :	


Type d'aliment	Durée de conservation (mois)
Volaille	9 - 12
Bœuf	6 - 12
Porc	4 - 6
Agneau	6 - 9
Saucisse	1 - 2
Jambon	1 - 2
Restes (avec viande)	2 - 3

6.6 Conseils pour la réfrigération des aliments frais

- Un bon réglage de température qui garantit la conservation des aliments frais est une température inférieure ou égale à +4 °C.
Un réglage de température plus élevé à l'intérieur de l'appareil peut entraîner une durée de conservation plus courte des aliments.
- Couvrez les aliments avec un emballage pour conserver leur fraîcheur et leur arôme.
- Utilisez toujours des récipients fermés pour les liquides et les aliments afin d'éviter les saveurs ou les odeurs dans le compartiment.
- Pour éviter la contamination croisée entre les aliments cuits et les aliments crus, couvrez les aliments cuits et séparez-les des aliments crus.
- Il est conseillé de décongeler les aliments à l'intérieur du réfrigérateur.
- N'insérez pas d'aliments chauds dans l'appareil. Assurez-vous qu'ils ont refroidi à température ambiante avant de les insérer.

- Pour éviter le gaspillage des aliments, le nouveau stock d'aliments doit toujours être placé derrière l'ancien.

6.7 Conseils pour la réfrigération des aliments

- Le compartiment des aliments frais est celui indiqué (sur la plaque signalétique) par .
- Viande (tous types) : enveloppez-la dans un emballage approprié et placez-la sur l'étagère en verre au-dessus du bac à légumes. Ne conservez la viande que 1 ou 2 jours au plus.
- Fruits et légumes : nettoyez soigneusement (retirez la terre) et placez-les dans un bac spécial (bac à légumes).
- Il est conseillé de ne pas conserver les fruits exotiques tels que les bananes, les mangues, les papayes, etc. dans le réfrigérateur.
- Les légumes tels que les tomates, les pommes de terre, les oignons et l'ail ne doivent pas être conservés dans le réfrigérateur.
- Beurre et fromage : placez-les dans un récipient étanche à l'air, ou enveloppez-les dans une feuille d'aluminium ou un sachet en polyéthylène, pour les tenir autant que possible à l'abri de l'air.
- Bouteilles : fermez-les avec un bouchon et placez-les sur le porte-bouteilles ou (s'il est installé) dans le balconnet à bouteilles de la porte.
- Consultez toujours la date d'expiration des produits pour savoir combien de temps les conserver.

7. ENTRETIEN ET NETTOYAGE

AVERTISSEMENT!

Reportez-vous aux chapitres relatifs à la Sécurité.

7.1 Avertissements d'ordre général

ATTENTION!

Débranchez l'appareil avant toute opération d'entretien et de nettoyage.



Cet appareil contient des hydrocarbures dans son circuit de réfrigération ; l'entretien et la recharge ne doivent donc être effectués que par du personnel qualifié.



Les pièces et accessoires de l'appareil ne doivent pas être lavés au lave-vaisselle.

7.2 Nettoyage de l'intérieur

Avant d'utiliser l'appareil pour la première fois, nettoyez l'intérieur et tous les accessoires avec de l'eau tiède et du détergent neutre (pour supprimer toute odeur de neuf), puis séchez-les soigneusement.

ATTENTION!

N'utilisez jamais de détergents, de produits abrasifs, de nettoyants à base de chlore ou d'huile, car ils pourraient endommager le revêtement.

ATTENTION!

Les accessoires et parties de l'appareil ne sont pas adaptés au lavage au lave-vaisselle.

ATTENTION!

Nettoyez le bandeau de commande avec un chiffon humide. N'utilisez aucun produit détergent. Après le nettoyage, essuyez le bandeau de commande avec un chiffon doux.

7.3 Nettoyage périodique

ATTENTION!

Ne tirez pas, ne déplacez pas, n'endommagez pas les tuyaux et/ou câbles qui se trouvent à l'intérieur de l'appareil.

ATTENTION!

N'endommagez pas le circuit de refroidissement.

ATTENTION!

Lorsque vous déplacez le meuble, veillez à le soulever par l'avant pour éviter d'érafler le sol.

Nettoyez régulièrement l'équipement :

1. Nettoyez l'intérieur et les accessoires à l'eau tiède et au détergent neutre.
2. Vérifiez régulièrement les joints de porte et essuyez-les pour vous assurer qu'ils sont propres et ne contiennent pas de résidus.
3. Rincez et séchez soigneusement.

La clayette la plus basse, qui sépare le compartiment réfrigérateur du reste de l'appareil, ne doit être sortie qu'en vue de son nettoyage. Enlevez la clayette en tirant dessus. Les couvercles situés au-dessus des bacs du compartiment peuvent être retirés pour être nettoyés.

7.4 Dégivrage du congélateur

Le compartiment congélateur est garanti sans givre. Cela signifie qu'il n'y a aucune formation de givre lorsqu'il est en marche, ni sur les parois intérieures, ni sur les aliments.

7.5 Décongélation du congélateur

Le dégivrage du compartiment du réfrigérateur est automatique. L'eau qui se condense s'écoule vers un réservoir situé sur le compresseur puis s'évapore. Le destinataire ne peut pas être supprimé.

7.6 Périodes de non-utilisation

Lorsque l'appareil n'est pas utilisé pendant des périodes prolongées, prenez les précautions suivantes :

1. Débranchez l'appareil de l'alimentation électrique.
2. Retirez tous les aliments.
3. Nettoyez l'appareil et tous ses accessoires.
4. Laissez les portes ouvertes pour éviter la formation d'odeurs désagréables.

8. DÉPANNAGE

AVERTISSEMENT!

Reportez-vous aux chapitres relatifs à la Sécurité.

8.1 Que faire si...

Problème	Cause probable	Solution
L'appareil ne fonctionne pas.	L'appareil est à l'arrêt.	Mettez l'appareil en fonctionnement.
	La fiche d'alimentation n'est pas correctement branchée à la prise de courant.	Branchez la fiche secteur sur la prise de courant.
	Il n'y a pas de tension dans la prise de courant.	Branchez un autre appareil sur la prise de courant. Contactez un électricien qualifié.
L'appareil est bruyant.	L'appareil n'est pas positionné correctement.	Vérifiez que l'appareil est stable.
Les signaux sonores ou visuels sont activés.	Le meuble a été allumé récemment.	Reportez-vous à la section Fonction « Alarme haute température »
	La température à l'intérieur de l'appareil est trop élevée.	Reportez-vous à la section Fonction « Alarme haute température »
Les signaux sonores ou visuels sont activés.	La porte est laissée ouverte.	Refermez la porte.
Le compresseur fonctionne en permanence.	La température est mal réglée.	Reportez-vous au chapitre « Bandeau de commande ».
	Trop d'aliments sont placés en même temps.	Attendez quelques heures et vérifiez de nouveau la température.
	La température ambiante est trop élevée.	Reportez-vous au chapitre « Installation ».
	Les aliments placés dans l'appareil étaient trop chauds.	Laissez refroidir les produits à température ambiante avant de les ranger.
	La porte n'est pas correctement fermée.	Reportez-vous à la section « Fermeture de la porte ».
	La fonction Extra Freeze est activée.	Consultez le paragraphe « Fonction Extra Freeze ».
	La fonction Extra Cool est activée.	Consultez le paragraphe « Fonction Extra Cool ».
Le compresseur ne démarre pas immédiatement après avoir appuyé sur la touche « Extra Freeze » ou « Extra Cool », ou après avoir modifié la température.	Le compresseur démarre au bout d'un certain temps.	C'est normal, aucune erreur n'est survenue.

Problème	Cause probable	Solution
La porte est mal alignée ou interfère avec le gril de ventilation.	L'appareil n'est pas d'aplomb.	Consultez les instructions d'installation.
La porte est difficile à ouvrir.	Vous avez essayé de rouvrir la porte immédiatement après l'avoir fermée.	
L'éclairage ne fonctionne pas.	L'éclairage est en mode veille.	Fermez et ouvrez la porte.
	L'éclairage est défectueux.	Veillez contacter le service après-vente agréé.
Il y a trop de givre et de glace.	La porte n'est pas correctement fermée.	Reportez-vous à la section « Fermeture de la porte ».
	Le joint est déformé ou sale.	Reportez-vous à la section « Fermeture de la porte ».
	Les aliments ne sont pas emballés correctement.	Emballer correctement les aliments.
	La température est mal réglée.	Reportez-vous au chapitre « Bandeau de commande ».
	L'appareil est complètement chargé et réglé sur la température la plus basse.	Sélectionnez une température plus élevée. Reportez-vous au chapitre « Bandeau de commande ».
	La température réglée dans l'appareil est trop basse et la température ambiante est trop élevée.	Sélectionnez une température plus élevée. Reportez-vous au chapitre « Bandeau de commande ».
De l'eau s'écoule sur la plaque arrière du réfrigérateur.	Pendant le dégivrage automatique, le givre fond sur la plaque arrière.	C'est normal.
Trop d'eau s'est condensée sur la paroi arrière du réfrigérateur.	La porte a été ouverte trop fréquemment.	N'ouvrez la porte qu'en cas de nécessité.
	La porte n'est pas entièrement fermée.	Assurez-vous que la porte est entièrement fermée.
	Les aliments conservés ne sont pas emballés.	Enveloppez les aliments dans un emballage adapté avant de les ranger dans l'appareil.
	Il est normal que pendant l'été et l'automne, plus de condensation puisse se former en raison de l'augmentation de l'humidité de l'air et des aliments. Le réfrigérateur ne produit pas d'humidité. Après cette période, l'humidité du réfrigérateur diminue d'elle-même.	En été et en automne, réglez la température plus chaude au réfrigérateur (environ 6 à 7 °C).
Il y a des gouttes d'eau sur les étagères en verre.	Il y a trop d'humidité à l'intérieur du réfrigérateur.	Essuyez les étagères en verre avec un chiffon pour retirer les gouttes d'eau.

Problème	Cause probable	Solution
La température ne peut pas être réglée.	La fonction Extra Freeze ou la fonction Extra Cool est activée.	Éteignez la fonction Extra Freeze ou la fonction Extra Cool manuellement, ou attendez que la fonction se désactive automatiquement. Reportez-vous au paragraphe « Extra FreezeFonction » ou « Extra CoolFonction ».
La température à l'intérieur de l'appareil est trop basse/élevée.	La température n'est pas réglée correctement.	Sélectionnez une température plus élevée/plus basse.
	La porte n'est pas correctement fermée.	Reportez-vous à la section « Fermeture de la porte ».
	Les aliments sont trop chauds.	Laissez les aliments refroidir avant de les ranger.
	Trop d'aliments sont stockés en même temps.	Conservez moins d'aliments en même temps.
	La porte a été ouverte souvent.	N'ouvrez la porte que si nécessaire.
	La fonction Extra Freeze est activée.	Consultez le paragraphe « Fonction Extra Freeze ».
	La fonction Extra Cool est activée.	Consultez le paragraphe « Fonction Extra Cool ».
	L'air froid ne circule pas dans l'appareil.	Assurez-vous que l'air froid circule dans l'appareil. Reportez-vous au chapitre « Conseils ».



Si le problème persiste, contactez le service après-vente agréé.

8.2 Remplacement de l'ampoule

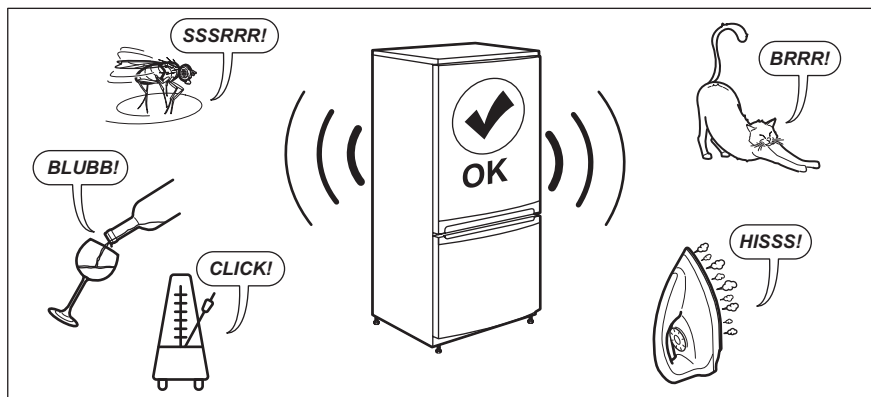
L'appareil est équipé d'un éclairage à LED longue durée.

Seul le service de maintenance est autorisé à remplacer le dispositif d'éclairage. Contactez le service après-vente agréé.

8.3 Fermeture de la porte

1. Nettoyer les joints de porte.
2. Si nécessaire, régler la porte. Reportez-vous au chapitre « Installation ».
3. Si nécessaire, remplacer les joints de porte défectueux. Pour obtenir plus d'informations, contactez le service après-vente agréé.

9. BRUITS



10. DONNÉES TECHNIQUES

Les caractéristiques techniques figurent sur la plaque signalétique située sur à l'intérieur de l'appareil et sur l'étiquette énergétique.

Le code QR présent sur l'étiquette énergétique fournie avec l'appareil contient un lien Web vers les informations relatives aux performances de l'appareil dans la base de données EPREL de l'UE. Conservez l'étiquette énergétique à titre de référence avec la notice d'utilisation et tous les autres documents fournis avec cet appareil.

Il est également possible de trouver les mêmes informations dans EPREL à l'aide du lien <https://eprel.ec.europa.eu> avec le nom du modèle et le numéro de produit se trouvant sur la plaque signalétique de l'appareil.


Consultez le lien www.theenergylabel.eu pour obtenir des informations détaillées sur l'étiquette énergétique.


11. INFORMATIONS POUR LES LABORATOIRES D'ESSAIS

L'installation et la préparation de l'appareil pour une vérification EcoDesign doivent être conformes à la norme EN 62552 (EU). Les exigences en matière de ventilation, les dimensions des évidements et les dégagements arrière minimum doivent

correspondre aux indications du « Installation » de ce manuel d'utilisation. Veuillez contacter le fabricant pour de plus amples informations, notamment les plans de chargement.

12. EN MATIÈRE DE PROTECTION DE L'ENVIRONNEMENT

Recyclez les matériaux portant le symbole . Déposez les emballages dans les conteneurs prévus à cet effet. Contribuez à la protection de l'environnement et à votre

sécurité, recyclez vos produits électriques et électroniques. Ne jetez pas les appareils portant le symbole  avec les ordures ménagères. Emmenez un tel produit dans

votre centre local de recyclage ou contactez vos services municipaux.

FR Concerne la France uniquement :



FR

Cet appareil, ses accessoires et cordons se recyclent

REPRISE
À LA LIVRAISON



OU

À DÉPOSER
EN MAGASIN



OU

À DÉPOSER
EN DÉCHÈTERIE



Points de collecte sur www.quefairedemesdechets.fr
Privilégiez la réparation ou le don de votre appareil !



FR



Willkommen bei Electrolux! Danke, dass Sie sich für unser Gerät entschieden haben.



Um Anwendungshinweise, Prospekte, Informationen zu Fehlerbehebung, Service und Reparatur zu erhalten:
www.electrolux.com/support

Änderungen vorbehalten.

INHALTSVERZEICHNIS

1. SICHERHEITSHINWEISE.....	47
2. SICHERHEITSANWEISUNGEN.....	49
3. MONTAGE.....	52
4. BETRIEB.....	54
5. TÄGLICHER GEBRAUCH.....	57
6. TIPPS UND HINWEISE.....	62
7. REINIGUNG UND PFLEGE.....	64
8. PROBLEMBEHEBUNG.....	66
9. GERÄUSCHE.....	69
10. TECHNISCHE DATEN.....	69
11. INFORMATIONEN FÜR PRÜFINSTITUTE.....	69
12. UMWELTTIPPS.....	69

1. ⚠ SICHERHEITSHINWEISE

Lesen Sie vor der Montage und dem Gebrauch des Geräts zuerst die Bedienungsanleitung. Bei Verletzungen oder Schäden infolge nicht ordnungsgemäßer Montage oder Verwendung übernimmt der Hersteller keine Haftung. Bewahren Sie die Anleitung zum Nachschlagen an einem sicheren und zugänglichen Ort auf.

1.1 Sicherheit von Kindern und schutzbedürftigen Personen

- Das Gerät kann von Kindern ab 8 Jahren und Personen mit eingeschränkten physischen, sensorischen oder geistigen Fähigkeiten oder mit mangelnder Erfahrung / mangelndem Wissen benutzt werden, wenn sie durch eine für ihre Sicherheit zuständige Person beaufsichtigt werden oder von dieser Person Anweisungen erhalten haben, wie das

Gerät sicher zu bedienen ist und welche Gefahren bei nicht ordnungsgemäßer Bedienung bestehen. Kinder im Alter von 3 bis 8 Jahren und Personen mit sehr umfangreichen und komplexen Behinderungen dürfen das Gerät unter der Voraussetzung, dass sie ordnungsgemäß angewiesen wurden, be- und entladen. Halten Sie Kinder unter 3 Jahren vom Gerät fern, wenn sie nicht ständig beaufsichtigt werden.

- Kinder sollten beaufsichtigt werden, damit sie nicht mit dem Gerät spielen.
- Kinder dürfen keine Reinigung und Wartung des Geräts ohne Beaufsichtigung durchführen.
- Halten Sie sämtliches Verpackungsmaterial von Kindern fern und entsorgen Sie es ordnungsgemäß.

1.2 Allgemeine Sicherheit

- Dieses Gerät ist nur zur Lagerung von Lebensmitteln und Getränken bestimmt.
- Dieses Gerät ist für den häuslichen Gebrauch im Haushalt in Innenräumen konzipiert.
- Dieses Gerät darf in Büros, Hotelzimmern, Gästezimmern in Pensionen, Bauernhöfen und anderen ähnlichen Unterkünften verwendet werden, wenn diese Nutzung das (durchschnittliche) Nutzungsniveau im Haushalt nicht überschreitet.
- Um eine Kontaminierung von Lebensmitteln zu vermeiden, beachten Sie die folgenden Hinweise:
 - Öffnen Sie die Tür nicht über längere Zeit hinweg;
 - reinigen Sie regelmäßig Oberflächen, die mit Lebensmitteln in Kontakt kommen können, und zugängliche Ablaufsysteme;
 - lagern Sie rohes Fleisch und Fisch in geeigneten Behältern im Kühlschrank, so dass sie nicht mit anderen Lebensmitteln in Berührung kommen oder auf diese tropfen.

- **ACHTUNG:** Halten Sie die Lüftungsöffnungen im Gerätegehäuse oder in der Einbaunische frei von Hindernissen.
- **ACHTUNG:** Versuchen Sie nicht, den Abtauvorgang durch andere als vom Hersteller empfohlene mechanische oder sonstige Hilfsmittel zu beschleunigen.
- **ACHTUNG:** Achten Sie darauf, den Kältekreislauf nicht zu beschädigen.
- **ACHTUNG:** Betreiben Sie in den Lebensmittelfächern des Geräts keine anderen als die vom Hersteller empfohlenen Elektrogeräte.
- Reinigen Sie das Gerät nicht mit Wasserspray oder Dampf.
- Reinigen Sie das Gerät mit einem weichen, feuchten Lappen. Verwenden Sie ausschließlich Neutralreiniger. Verwenden Sie keine Scheuermittel, Scheuerschwämme, scharfe Reinigungsmittel oder Metallgegenstände.
- Wenn das Gerät längere Zeit leer steht, schalten Sie es aus, tauen Sie es ab, reinigen und trocknen Sie es und lassen Sie die Tür offen, um Schimmelbildung im Gerät zu vermeiden.
- Bewahren Sie keine explosiven Substanzen wie Aerosoldosen mit brennbarem Treibgas in diesem Gerät auf.
- Wenn das Netzkabel beschädigt ist, muss es vom Hersteller, einem autorisierten Servicezentrum oder einer ähnlich qualifizierten Person zur Vermeidung einer Gefahrenquelle ersetzt werden.

2. SICHERHEITSANWEISUNGEN

2.1 Montage

WARNUNG!

Nur eine qualifizierte Fachkraft darf die Montage des Geräts vornehmen.

- Entfernen Sie das gesamte Verpackungsmaterial.

- Montieren Sie ein beschädigtes Gerät nicht und benutzen Sie es nicht.
- Halten Sie sich an die mitgelieferte Montageanleitung.
- Seien Sie beim Umsetzen des Gerätes vorsichtig, da es sehr schwer ist. Tragen Sie stets Sicherheitshandschuhe und festes Schuhwerk.
- Stellen Sie sicher, dass die Luft um das Gerät zirkulieren kann.

- Warten Sie nach der Montage oder dem Wechsel des Türanschlags mindestens 4 Stunden, bevor Sie das Gerät an die Stromversorgung anschließen. So kann das Öl in den Kompressor zurückfließen.
- Ziehen Sie den Stecker aus der Steckdose, bevor Sie am Gerät arbeiten (z.B. Wechsel des Türanschlags).
- Stellen Sie das Gerät nicht in der Nähe von Heizkörpern oder Herden, Backöfen oder Kochfeldern auf, es sei denn, in der Installationsanleitung ist etwas anderes angegeben.
- Setzen Sie das Gerät nicht dem Regen aus.
- Installieren Sie das Gerät nicht an einem Ort mit direkter Sonneneinstrahlung.
- Stellen Sie dieses Gerät nicht in Bereichen auf, die zu feucht oder kalt sind.
- Wenn Sie das Gerät verschieben, heben Sie es an der Vorderkante an, um den Fußboden nicht zu verkratzen.

2.2 Elektrischer Anschluss

WARNUNG!

Brand- und Stromschlaggefahr.

WARNUNG!

Achten Sie bei der Montage des Geräts darauf, dass das Netzkabel nicht eingeklemmt oder beschädigt wird.

WARNUNG!

Verwenden Sie keine Mehrfachsteckdosen und Verlängerungskabel.

- Das Gerät muss geerdet sein.
- Stellen Sie sicher, dass die Daten auf dem Typenschild mit den elektrischen Nennwerten der Netzspannung übereinstimmen.
- Schließen Sie das Gerät nur an eine ordnungsgemäß installierte Schutzkontaktsteckdose an.
- Achten Sie darauf, die elektrischen Bauteile nicht zu beschädigen (z. B. Netzstecker, Netzkabel, Kompressor). Wenden Sie sich zum Austausch elektrischer Bauteile an das autorisierte Service-Zentrum oder einen Elektriker.

- Das Netzkabel muss unterhalb des Netzsteckers liegen.
- Stecken Sie den Netzstecker erst nach Abschluss der Montage in die Steckdose. Stellen Sie sicher, dass der Netzstecker nach der Montage noch zugänglich ist.
- Ziehen Sie nicht am Netzkabel, wenn Sie das Gerät von der Stromversorgung trennen möchten. Ziehen Sie stets am Netzstecker.

2.3 Gebrauch

WARNUNG!

Es besteht Verletzungs-, Verbrennungs-, Stromschlag- oder Brandgefahr.



Das Gerät enthält Isobutan (R600a), ein brennbares Erdgas mit einem hohen Grad an Umweltverträglichkeit. Achten Sie darauf, den Kältekreislauf, der Isobutan enthält, nicht zu beschädigen.

- Nehmen Sie keine technischen Änderungen am Gerät vor.
- Stellen Sie keine elektrischen Geräte (z. B. Eisbereiter) in das Gerät, wenn solche Geräte nicht ausdrücklich vom Hersteller für diesen Zweck zugelassen sind.
- Wird der Kältekreislauf beschädigt, stelle bitte sicher, dass keine Flammen und Zündquellen im Raum vorhanden sind. Lüften Sie den Raum.
- Achten Sie darauf, dass keine heißen Gegenstände auf die Kunststoffteile des Geräts gelangen.
- Geben Sie keine Softdrinks in das Gefrierfach. Dadurch entsteht Druck auf den Getränkebehälter.
- Lagern Sie keine brennbaren Gase und Flüssigkeiten im Gerät.
- Platzieren Sie keine entflammaren Produkte oder Gegenstände, die mit entflammaren Produkten benetzt sind, im Gerät, auf dem Gerät oder in der Nähe des Geräts.
- Berühren Sie nicht den Kompressor oder den Kondensator. Diese sind heiß.
- Nehmen Sie keine Gegenstände aus dem Gefrierfach und berühren Sie diese nicht, falls Ihre Hände nass oder feucht sind.

- Frieren Sie aufgetaute Lebensmittel nicht wieder ein.
- Befolgen Sie die Hinweise auf der Verpackung zur Aufbewahrung tiefgekühlter Lebensmittel.
- Wickeln Sie die Lebensmittel in Lebensmittelkontaktmaterial ein, bevor Sie sie in das Gefrierfach legen.
- Achten Sie darauf, dass keine Lebensmittel mit den Innenwänden der Gerätefächer in Berührung kommen.

2.4 Innenbeleuchtung

WARNUNG!

Stromschlaggefahr.

- Dieses Produkt enthält eine oder mehrere Lichtquellen der Energieeffizienzklasse F.
- Bezüglich der Lampe(n) in diesem Gerät und separat verkaufter Ersatzlampen: Diese Lampen müssen extremen physikalischen Bedingungen in Haushaltsgeräten standhalten, wie z.B. Temperatur, Vibration, Feuchtigkeit, oder sollen Informationen über den Betriebszustand des Gerätes anzeigen. Sie sind nicht für den Einsatz in anderen Geräten vorgesehen und nicht für die Raumbeleuchtung geeignet.

2.5 Reinigung und Pflege

WARNUNG!

Andernfalls besteht Verletzungsgefahr und das Gerät könnte beschädigt werden.

- Vor Wartungsarbeiten das Gerät deaktivieren und den Stecker des Anschlusskabels aus der Steckdose ziehen.
- Dieses Gerät enthält Kohlenwasserstoffe in der Kühleinheit. Das Gerät darf nur von einer qualifizierten Fachkraft gewartet werden.

2.6 Service

- Wenden Sie sich zur Reparatur des Geräts an das autorisierte

Servicezentrum. Verwenden Sie nur Original-Ersatzteile.

- Bitte beachten Sie, dass eigene Reparaturen oder Reparaturen, die nicht von Fachkräften durchgeführt werden, die Sicherheit des Geräts beeinträchtigen und zum Erlöschen der Garantie führen können.
- Die folgenden Ersatzteile werden auch nach der Einstellung des Modells 7 Jahre lang vorgehalten: Thermostate, Temperatursensoren, Platinen, Lichtquellen, Türgriffe, Türscharniere, Einsätze und Körbe. Türdichtungen sind mindestens 10 Jahre lang nach Einstellung des Modells erhältlich. Die Dauer kann in Ihrem Land länger sein. Für weitere Informationen besuchen Sie bitte unsere Website.
- Bitte beachten Sie, dass einige dieser Ersatzteile nur an Reparaturbetriebe geliefert werden können und nicht alle Ersatzteile für alle Modelle relevant sind.

2.7 Entsorgung

WARNUNG!

Verletzungs- und Erstickungsgefahr.

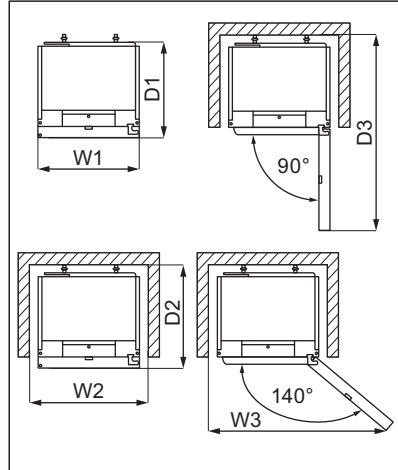
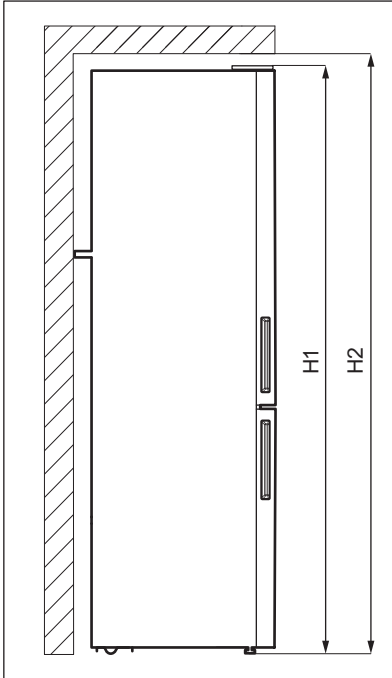
- Trennen Sie das Gerät von der Stromversorgung.
- Schneiden Sie das Netzkabel ab, und entsorgen Sie es.
- Entfernen Sie die Tür, um zu verhindern, dass sich Kinder oder Haustiere in dem Gerät einschließen.
- Der Kältekreislauf und die Isolierungsmaterialien dieses Gerätes sind ozonfreundlich.
- Die Isolierung enthält entzündliches Gas. Für Informationen zur korrekten Entsorgung des Gerätes wenden Sie sich an Ihre kommunale Behörde.
- Achten Sie darauf, dass die Kühleinheit in der Nähe des Wärmetauschers nicht beschädigt wird.

3. MONTAGE

⚠️ WARNUNG!

Sehen Sie Kapitel „Sicherheitshinweise“.

3.1 Abmessungen



Gesamtabmessungen ¹

H1	mm	1870
W1	mm	595
D1	mm	639

¹ Höhe, Breite und Tiefe des Geräts ohne Griff

Platzbedarf während des Betriebs ²

H2	mm	1900
W2	mm	600

Platzbedarf während des Betriebs ²

D2	mm	700
----	----	-----

² Höhe, Breite und Tiefe des Geräts einschließlich Griff und zuzüglich des notwendigen Freiraums für die Zirkulation der Kühlluft

Platzbedarf insgesamt während des Betriebs ³

H2	mm	1900
W3	mm	1031

Platzbedarf insgesamt während des Betriebs³

D3	mm	1256
----	----	------

³ Höhe, Breite und Tiefe des Geräts einschließlich Griff plus des notwendigen Freiraums für die Zirkulation der Kühlluft, zuzüglich des Platzes, der notwendig ist, um eine Türöffnung bis zu dem minimalen Winkel zu ermöglichen, der die Entfernung der gesamten Innenausstattung erlaubt

3.2 Aufstellungsort

Dieses Gerät ist nicht für die Verwendung als Einbaugerät vorgesehen.

Im Falle einer anderen als der freistehenden Installation und unter Einhaltung des Platzbedarfs funktioniert das Gerät korrekt, aber der Energieverbrauch kann leicht ansteigen.

Um die bestmögliche Funktionalität des Geräts zu gewährleisten, sollten Sie das Gerät nicht an einem Ort mit direkter Sonneneinstrahlung aufstellen. Installieren Sie das Gerät nicht in der Nähe einer Wärmequelle (Ofen, Herde, Heizkörper, Kocher, Dunstabzugshauben, Kochfelder oder Dunstabzugskochfelder), sofern in der Installationsanleitung nichts anderes angegeben ist. Stellen Sie sicher, dass die Luft frei um die Geräterückseite zirkulieren kann.

Dieses Gerät sollte in einem trockenen, gut belüfteten Innenbereich aufgestellt werden.

Um einen einwandfreien Betrieb sicherzustellen, muss der Mindestabstand zur Oberseite des Gehäuses eingehalten werden, wenn das Gerät unter einem Hängeschrank aufgestellt wird. Idealerweise sollte das Gerät jedoch nicht unter überhängenden Wandeinheiten positioniert werden. Das Gerät muss mithilfe eines Fußes oder mehrerer verstellbarer Füße am Sockel des Gehäuses ausgerichtet werden.

VORSICHT!

Wenn Sie das Gerät gegen eine Wand stellen, verwenden Sie die mitgelieferten hinteren Abstandhalter für die Rückseite oder halten Sie den Mindestabstand, der in der Montageanleitung angegeben ist, ein.

VORSICHT!

Wenn Sie das Gerät neben einer Wand aufstellen, halten Sie den in der Montageanleitung angegebenen Mindestabstand zwischen der Wand und Geräteseite mit den Scharnieren ein, damit sich die Tür weit genug öffnen lässt, um die Innenausstattung herauszunehmen (z. B. für die Reinigung).

Dieses Gerät ist für den Einsatz bei einer Umgebungstemperatur von 10°C bis 43°C vorgesehen.

i

Der ordnungsgemäße Betrieb des Geräts wird nur innerhalb des angegebenen Temperaturbereichs gewährleistet.

i

Wenn Sie Zweifel bezüglich der Installation des Geräts haben, wenden Sie sich bitte an den Verkäufer, unseren Kundenservice oder an das nächstgelegene autorisierte Servicezentrum

i

Es muss möglich sein, das Gerät von der Stromversorgung zu trennen. Daher muss der Stecker nach der Installation zugänglich bleiben.

3.3 Elektrischer Anschluss

- Stellen Sie vor dem Anschließen sicher, dass die auf dem Typenschild angezeigte Spannung und Frequenz mit Ihrer Hausstromversorgung übereinstimmt.
- Das Gerät muss geerdet sein. Der Netzstecker des Stromkabels ist hierfür mit einem Kontakt versehen. Wenn die

Steckdose nicht geerdet ist, schließen Sie das Gerät gemäß den geltenden Vorschriften an eine separate Erdung an und wenden Sie sich an einen qualifizierten Elektriker.

- Der Hersteller lehnt jegliche Verantwortung ab, wenn die oben genannten Sicherheitsvorkehrungen nicht eingehalten werden.

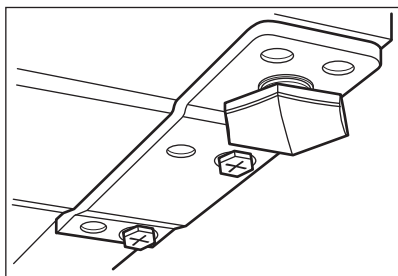
3.4 Ausrichten



Zum Ausrichten der Tür muss das Gerät richtig ausgerichtet sein.

Es wird empfohlen, vor der Ausführung dieser Arbeit das Gerät zu leeren.

Achten Sie beim Aufstellen des Gerätes darauf, dass es waagrecht steht. Dies kann durch zwei Schraubfüße an der Vorderseite erreicht werden.



3.5 Hintere Abstandshalter



Informationen zu Montage und zum Wechseln des Türanschlags finden Sie in einer separaten Anleitung.

VORSICHT!

Wenn Sie das Gerät bei einer freistehenden Installation an die Wand stellen, installieren Sie die hinteren Abstandshalter, um den für die Luftzirkulation erforderlichen Mindestabstand zu gewährleisten. Verwenden Sie die mitgelieferten hinteren Abstandshalter, wie in der Installationsanleitung angegeben.

3.6 Wechselbare Anschlagseite der Tür

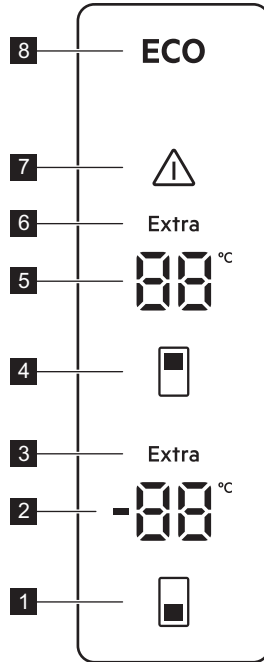
Informationen zu Montage und zum Wechseln des Türanschlags finden Sie in einer separaten Anleitung.

VORSICHT!

Wenn Sie den Türanschlag wechseln, schützen Sie den Boden mit einem strapazierfähigen Material vor Kratzern.

4. BETRIEB


4.1 Bedienfeld



- 1 Taste für Gefrierschranktemperatur
- 2 Anzeige Gefrierraum
- 3 Extra Freeze-Anzeige
- 4 Taste für Kühlschranktemperatur
- 5 Anzeige Kühlraum
- 6 Extra Cool-Anzeige
- 7 Alarmanzeige
- 8 ECOMETER-Anzeige


4.2 Einschalten


1. Stecken Sie den Netzstecker in die Steckdose.
2. Halten Sie die Gefrier- und Kühlschranktemperatortasten 10 Sekunden lang gedrückt.

Auf dem Display erscheint eine blinkende  Anzeige.

4.3 Ausschalten

1. Halten Sie die Gefrier- und Kühlschranktemperatortasten 10 Sekunden lang gedrückt.

Auf dem Display erscheint eine blinkende  Anzeige.

2. Das Gerät wird ausgeschaltet und die Kühlschranktemperatur durch eine dauerhafte  Anzeige ersetzt. Ziehen Sie den Stecker aus der Wandsteckdose.

4.4 Temperaturregelung

Stellen Sie die Temperatur des Geräts durch Drücken der Temperatortasten ein. Empfohlene eingestellte Temperaturen sind:

- +4°C für den Kühlschrank
 - -18°C für den Gefrierschrank
- Der Temperaturbereich kann zwischen -15 und -24°C für den Gefrierschrank und

zwischen 2 und 8°C für den Kühlschrank liegen.



Die Temperaturanzeigen zeigen die eingestellte Temperatur an. Die eingestellte Temperatur wird innerhalb von 24 Stunden erreicht. Nach einem Stromausfall bleibt die eingestellte Temperatur gespeichert.



Die ECO LED-Anzeige leuchtet, wenn die empfohlene Temperatur oder Stufe eingestellt ist.



Schalten Sie die Extra Freeze Funktion aus, bevor Sie eine andere Gefrierschranktemperaturstufe einstellen.

4.5 ECO Funktion

Die ECO Funktion gewährleistet einen minimalen Energieverbrauch bei optimaler Temperatur für die Lebensmittelkonservierung.

In diesem Modus:

- Die eingestellte Temperatur des Kühlschrankfachs ist 4°C.
- Die eingestellte Temperatur des Gefrierschrankfachs beträgt -18°C.

Um die ECO Funktion zu deaktivieren:

- stellen Sie eine andere Temperatur ein. Siehe „Temperaturregelung“.
- aktivieren Sie die Funktionen Extra Cool und Extra Freeze.

4.6 Extra Cool-Funktion

Wenn Sie eine große Menge an Lebensmitteln bei Raumtemperatur in das Kühlschrankfach einlegen müssen, z.B. nach dem Einkaufen, aktivieren Sie die Extra Cool Funktion. Diese Funktion beschleunigt die Abkühlung und verhindert, dass sich die gelagerten Lebensmittel aufwärmen.

Um die Funktion zu aktivieren, halten Sie die Kühlschranktemperaturtaste gedrückt, bis die Extra Cool Anzeige aufleuchtet.

Die Funktion wird nach etwa 6 Stunden automatisch ausgeschaltet.

Um die Extra Cool Funktion vor ihrem automatischen Ende zu deaktivieren, halten Sie die Kühlschranktemperaturtaste gedrückt, bis die Extra Cool Anzeige erlischt.

Um eine andere Kühlschranktemperatur einzustellen, schalten Sie die Funktion Extra Cool aus. Siehe Abschnitt „Temperaturregelung“.

4.7 Extra Freeze-Funktion

Die Extra Freeze-Funktion dient dazu, das Gefrierfach auf das Vorgefrieren und abschließende Schnellgefrieren der Lebensmittel vorzubereiten. Diese Funktion beschleunigt das Einfrieren von frischen Lebensmitteln und schützt die bereits gelagerten Lebensmittel vor dem Aufwärmen.



Um frische Lebensmittel einzufrieren, schalten Sie die Extra Freeze-Funktion mindestens 4 Stunden, bevor Sie die einzufrierenden Lebensmittel in das Gefrierfach hineinlegen, ein, um das Vorgefrieren abzuschließen.

Um die Extra Freeze Funktion zu aktivieren, halten Sie die Gefrierschranktemperaturtaste gedrückt, bis die Extra Freeze Anzeige aufleuchtet.

Diese Funktion endet automatisch nach 24 Stunden.

Um die Extra Freeze Funktion vor ihrem automatischen Ende zu deaktivieren, halten Sie die Gefrierschranktemperaturtaste gedrückt, bis die Extra Freeze Anzeige erlischt.

4.8 Alarm - Tür offen

Wenn die Kühl- oder Gefrierschranktür etwa 5 Minuten lang offen bleibt, wird der Alarm ausgelöst. Während des Alarms:

- der Signalton ist eingeschaltet,
- Temperaturanzeigen blinken,
- die Alarmanzeige blinkt.

Die interne Kühlschranklampe kann blinken.

Der Signalton erlischt nach dem Schließen der Tür.

Sie können den Alarm durch Drücken einer beliebigen Taste ausschalten.



Der Signalton schaltet sich nach 1 Stunde automatisch ab.

4.9 Hochtemperaturalarm



Der Alarm wird aktiviert, wenn Sie das Gerät zum ersten Mal anschließen.

Gefrierfach

Der Alarm wird ausgelöst, wenn die Temperatur im Gefrierschrankfach zu hoch ist.

Während des Alarms:

- auf dem Display erscheint ein blinkendes **E09**,
- die Alarmanzeige blinkt,
- der Alarmton ist eingeschaltet.

Ausschalten des Alarms

- Drücken Sie eine beliebige Taste auf dem Bedienfeld, um den Alarm abzuschalten. Die Alarmanzeige und der Signalton werden ausgeschaltet. Auf der Anzeige erscheint **E09** 5 Sekunden lang und danach wird die aktuelle Temperatur des Gefrierschranks dauerhaft angezeigt.
- Der Alarmton schaltet sich nach 1 Stunde automatisch ab. Wenn die Temperatur

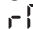

immer noch zu hoch ist, wird der Alarm erneut aktiviert.



- Sobald die Temperatur wieder den eingestellten Wert erreicht hat, schaltet sich der Alarm ab und das normale Display wird wieder eingeblendet.

4.10 Rest-Modus

Der Rest Modus gewährleistet eine optimale Konservierung der Lebensmittel bei gleichzeitiger Minimierung des Energieverbrauchs, wenn das Gerät nicht in Betrieb ist.

Um den Rest Modus zu aktivieren, halten Sie die Gefrierschranktemperaturtaste 5 Sekunden lang gedrückt. Im Display wird Folgendes angezeigt:

-  auf der Gefrierschranktemperaturanzeige,
-  auf der Kühlschranktemperaturanzeige.

Tippen Sie auf die Gefrierschranktemperaturtaste, um den Rest Modus ein- oder auszuschalten. Die Gefrierschranktemperaturanzeige wechselt zu  für den aktivierten oder zu  für den deaktivierten Rest Modus.

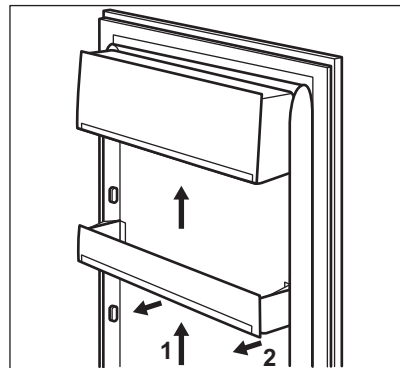
Der Rest Modus wird nach 3 Tagen ohne jegliche Interaktion mit dem Gerät aktiviert. Der Rest Modus wird nach jeder Interaktion mit dem Gerät automatisch ausgeschaltet.

5. TÄGLICHER GEBRAUCH

5.1 Positionieren der Türablagen

Um die Lagerung von Lebensmittelpackungen verschiedener Größen zu ermöglichen, können die Türunterteilungsfächer in verschiedenen Höhen angeordnet werden.

1. Ziehen Sie die Ablage langsam nach oben, bis diese sich löst.
2. Positionieren Sie diese neu wie erforderlich.



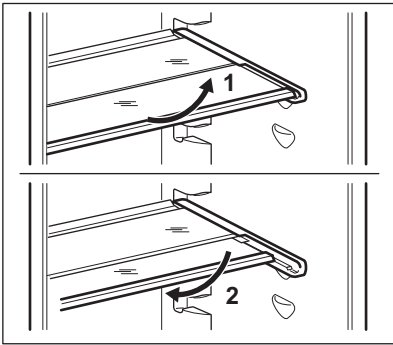
5.2 Verstellbare Ablagen

Die Wände des Kühlschranks sind mit einer Reihe von Führungsschienen ausgestattet, die verschiedene Möglichkeiten für das Einsetzen der Ablagen bieten.

Dieses Gerät ist auch mit einer aus zwei Teilen bestehenden Ablage ausgestattet. Die vordere Hälfte kann unter der zweiten Hälfte platziert werden, um den Stauraum besser auszunutzen.

Ablage einschieben:

1. Nehmen Sie die vordere Hälfte vorsichtig heraus.
2. Schieben Sie sie in die untere Führung und unter die zweite Hälfte.



Die Glasablage über der Gemüseschublade sollte jedoch nicht verstellt werden, um eine korrekte Luftzirkulation zu gewährleisten.

5.3 GreenZone-Schublade

Im unteren Teil des Kühlschranks befindet sich eine ausziehbare Schublade.

Die Glasablage der GreenZone ist mit einer Vorrichtung ausgestattet, die ihre Abdichtung reguliert und für eine optimale Luftfeuchtigkeit im Inneren der Schublade sorgt.

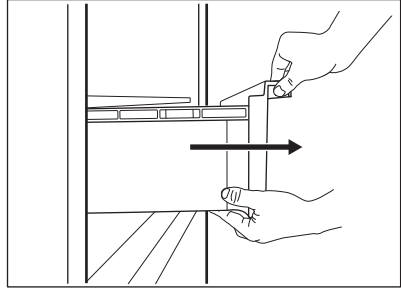
5.4 Entnehmen der GreenZone Schublade



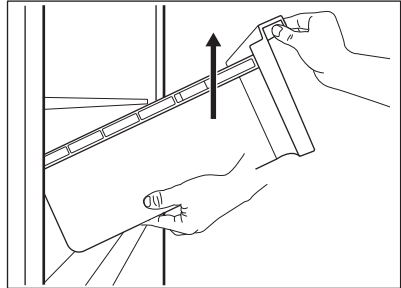
Es wird empfohlen, die Schublade zu entleeren, bevor Sie sie aus dem Kühlschrank nehmen.

Entnehmen der Schublade:

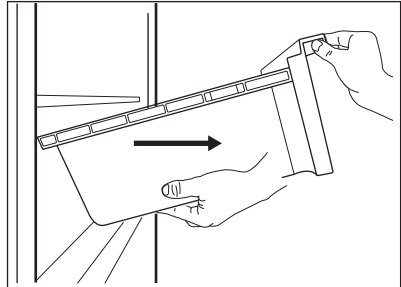
1. Ziehen Sie die Schublade aus dem Kühlschrank.



2. Heben Sie die Vorderseite der Schublade an.

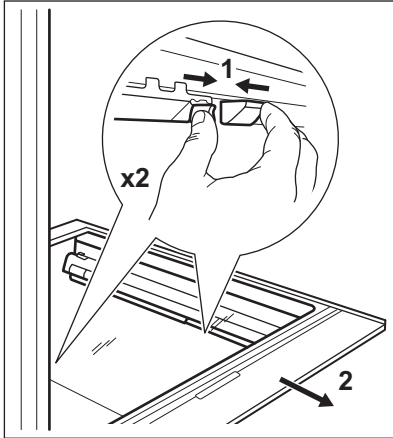


3. Ziehen Sie die Schublade heraus, während Sie sie anheben.

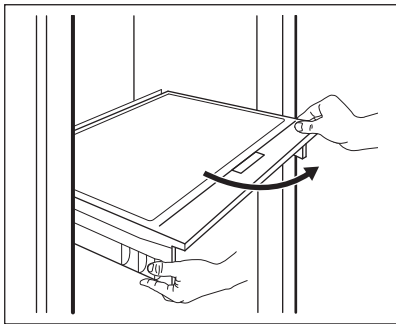


Zum Entfernen der Glasabdeckung der GreenZone Schublade:

1. Entriegeln Sie die seitlichen Klemmen von beiden Seiten gleichzeitig.



2. Ziehen Sie den Glasbodenträger zu sich heran.

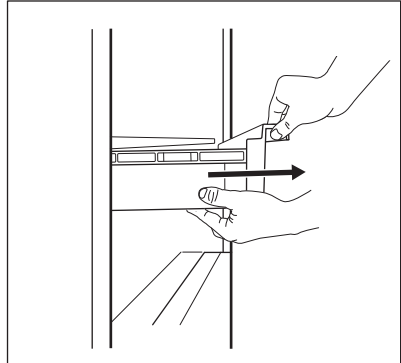


5.5 Entfernen der ExtraChill

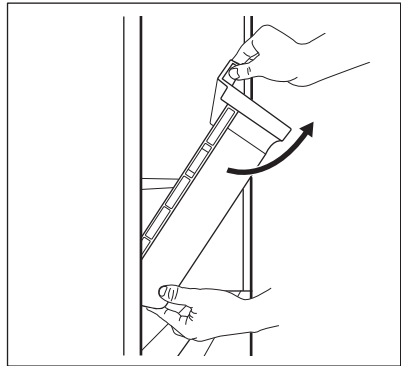
Über der GreenZone-Schublade befindet sich eine Schublade.

Entnehmen der Schublade:

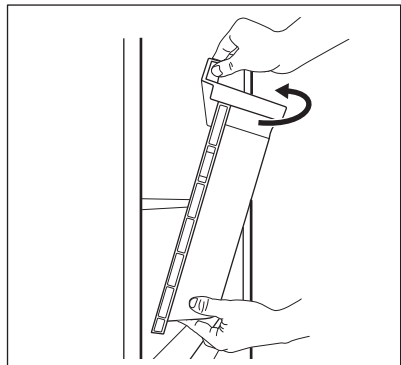
1. Ziehen Sie die Schublade aus dem Kühlschrank.



2. Heben Sie die Vorderseite der Schublade an.



3. Heben und drehen Sie die Schublade, um sie aus dem Gerät zu ziehen.



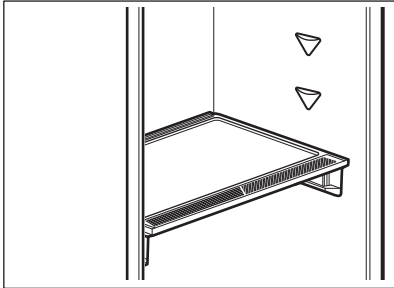
Das Regal über der Schublade kann nur zu Reinigungszwecken aus dem Gerät entfernt werden.

5.6 Feuchtigkeitsregelung

Die Glasablage der GreenZone-Schublade ist mit einer Vorrichtung ausgestattet, die die Abdichtung reguliert und für eine optimale Luftfeuchtigkeit im Inneren der Schublade sorgt.

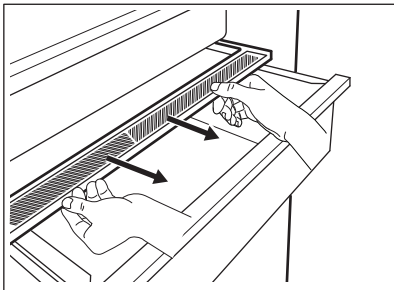


Legen Sie keine Lebensmittel auf die Vorrichtung zur Feuchtigkeitskontrolle.

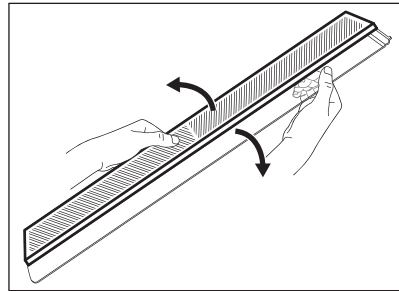


So entfernen Sie die Vorrichtung zur Feuchtigkeitskontrolle:

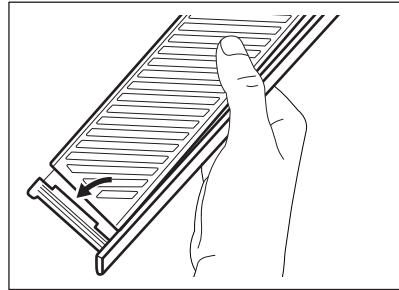
1. Öffnen Sie die Schublade unter der Glasablage und ziehen Sie die Abdeckung heraus.



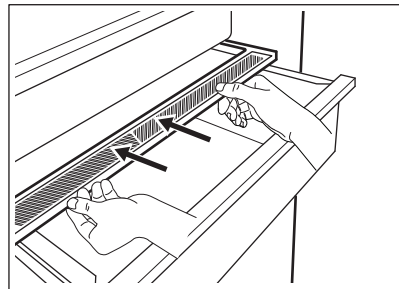
2. Wenn Sie die weiße Membran des Geräts ersetzen müssen, greifen Sie das Gerät in der Mitte und trennen Sie die Membran von der Abdeckung, indem Sie an der Abdeckung ziehen.



3. Setzen Sie eine neue Membran in die Abdeckung ein, indem Sie den Rand der Membran in die Abdeckung drücken.



4. Setzen Sie die Feuchtigkeitsregelung wieder in die Schublade ein.

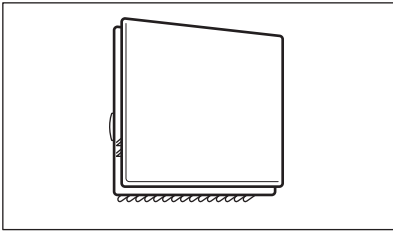


Abhängig von der Menge und dem Zustand von Obst und Gemüse, die in der GreenZone-Schublade gelagert werden, kann es zu Kondensation kommen. Entfernen Sie in einem solchen Fall die Kondensation mit einem weichen Tuch.

5.7 MULTIFLOW

Das Kühlfach ist mit einer MULTIFLOW Vorrichtung ausgestattet, die ein schnelleres und effektiveres Abkühlen der Lebensmittel und die Aufrechterhaltung einer gleichmäßigeren Temperatur in jedem Teil des Kühlfachs ermöglicht.

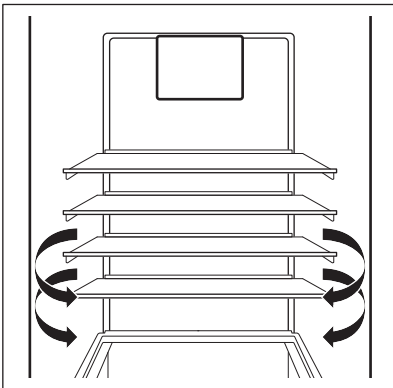
Diese Vorrichtung schaltet sich bei Bedarf automatisch ein.



MULTIFLOW ist nur bei geschlossener Tür in Betrieb.



Blockieren Sie die Lüftungsöffnungen nicht, um eine bessere Kühlung zu ermöglichen.



Entfernen Sie das MULTIFLOW Panel nicht. Reinigen Sie das Gerät nicht mit Wasserspray oder Dampf. Anweisungen zur Reinigung finden Sie im Kapitel „Reinigung und Pflege“.

5.8 Einfrieren frischer Lebensmittel

Das Gefrierfach eignet sich zum Einfrieren frischer Lebensmittel und zur langfristigen Aufbewahrung gefrorener und tiefgefrorener Lebensmittel.

Um frische Lebensmittel einzufrieren, schalten Sie die Extra Freeze-Funktion ein, mindestens 4 Stunden, bevor Sie die einzufrierenden Lebensmittel in das Gefrierfach legen.

Lagern Sie frische Lebensmittel gleichmäßig verteilt im/in der ersten Fach oder Schublade von oben.

Die maximale Menge an Lebensmitteln, die ohne Hinzufügen von anderen frischen Lebensmitteln innerhalb von 24 Stunden eingefroren werden kann, ist auf dem Typenschild (einem Schild im Gerät) angegeben.

Wenn der Gefriervorgang abgeschlossen ist, kehrt das Gerät zur vorherig eingestellten Temperatur zurück. Siehe „Funktion Extra Freeze“.

Weitere Informationen finden Sie im Abschnitt „Tipps zum Einfrieren“.

5.9 Lagerung von Tiefkühlgerichten

Wenn Sie ein Gerät zum ersten Mal oder nach einer längeren Pause in Betrieb nehmen, lassen Sie das Gerät mindestens 3 Stunden bei eingeschalteter Funktion Extra Freeze laufen, bevor Sie die Produkte in das Fach legen.

Die Gefrierschubladen sorgen dafür, dass das gewünschte Lebensmittelpaket schnell und einfach zu finden ist. Sollen große Mengen an Lebensmitteln aufbewahrt werden, entfernen Sie alle Schubladen aus dem Gerät und legen Sie die Lebensmittel direkt in die Regale. Lassen Sie die untere Schublade an Ort und Stelle, um eine gute Luftzirkulation zu gewährleisten.

Lagern Sie die Lebensmittel in den Regalen nicht näher als 15 mm von der Tür entfernt.

VORSICHT!

Kam es zum Auftauen zum Beispiel durch einen Stromausfall, der länger dauerte, als der auf dem Typenschild angegebene Wert unter „Lagerzeit bei Störung“, dann müssen die aufgetauten Lebensmittel schnell verbraucht oder sofort gekocht und nach dem Abkühlen wieder eingefroren werden. Siehe „Hochtemperaturalarm“.

5.10 Abtauen

Tiefgefrorene oder gefrorene Lebensmittel können vor der Verwendung je nach der zur Verfügung stehenden Zeit im Kühlschrank oder bei Raumtemperatur aufgetaut werden.

Kleine Teile können sogar direkt aus dem Gefrierschrank gekocht werden. In diesem Fall dauert das Kochen länger.

5.11 Herstellen von Eiswürfeln

Dieses Gerät ist mit einer oder mehreren Schalen für die Herstellung von Eiswürfeln ausgestattet.



Verwenden Sie zum Entnehmen der Schalen aus dem Gefrierfach keine Gegenstände aus Metall.

1. Füllen Sie die Schalen mit Wasser.
2. Stellen Sie die Eisschalen in das Gefrierfach.

6. TIPPS UND HINWEISE

6.1 Tipps zum Energiesparen

- Gefriergerät: Die interne Konfiguration des Geräts gewährleistet die effizienteste Energienutzung.
- Kühlschrank: Die effizienteste Energienutzung wird erreicht, wenn die Schubladen im unteren Teil des Geräts eingesetzt und die Ablagen gleichmäßig angeordnet sind. Die Position der Türablagen wirkt sich nicht auf den Energieverbrauch aus.
- Öffnen Sie die Tür nicht zu häufig, und lassen Sie diese nicht länger offen als notwendig.
- Gefriergerät: Je kälter die Temperatureinstellung, desto höher der Energieverbrauch.
- Kühlschrank: Stellen Sie die Temperatur nicht zu hoch ein, um Energie zu sparen, es sei denn, dies ist wegen der Beschaffenheit des Lebensmittels erforderlich.
- Wenn die Umgebungstemperatur hoch ist, der Temperaturregler auf eine niedrige Temperatur eingestellt und das Gerät voll beladen ist, kann es zu andauerndem Betrieb des Kompressors und damit zu Reif- oder Eisbildung am Verdampfer kommen. Stellen Sie in diesem Fall den Temperaturregler auf eine höhere Temperatur, um das automatische

Abtauen zu ermöglichen und Energie zu sparen.

- Sorgen Sie für eine gute Belüftung. Bedecken Sie die Belüftungsgitter oder -öffnungen nicht.
- Vergewissern Sie sich, dass die Lebensmittel im Inneren des Geräts eine Luftzirkulation durch entsprechende Öffnungen im hinteren Teil des Geräts ermöglichen.


6.2 Hinweise zum Einfrieren

- Schalten Sie die Extra Freeze-Funktion mindestens 4 Stunden, bevor Sie die Lebensmittel in das Gefrierfach hinein legen, ein.
- Vor dem Einfrieren verpacken und verschließen Sie frische Lebensmittel in: Aluminiumfolie, Kunststoffolie oder -beutel, luftdichte Behälter mit Deckel.
- Teilen Sie die Lebensmittel in kleine Portionen, um das Einfrieren und Auftauen zu erleichtern.
- Es wird empfohlen, Ihre tiefgekühlten Lebensmittel mit Etiketten und dem Datum zu versehen. So können Sie die Lebensmittel identifizieren und erkennen wann sie verzehrt werden sollten, bevor sie verderben.
- Die Lebensmittel sollten beim Einfrieren frisch sein, um eine gute Qualität zu

bewahren. Besonders Obst und Gemüse sollte nach der Ernte eingefroren werden, um alle Nährstoffe zu erhalten.

- Frieren Sie keine Flaschen oder Dosen mit Flüssigkeiten, insbesondere kohensäurehaltige Getränke, ein - die Gefäße können beim Einfrieren explodieren.
- Geben Sie keine heißen Lebensmittel in den Gefrierraum. Vergewissern Sie sich, dass sie auf Raumtemperatur abgekühlt sind, bevor Sie sie in das Fach legen.
- Um eine Erwärmung bereits eingefrorener Lebensmittel zu verhindern, legen Sie die frischen, nicht gefrorenen Lebensmittel nicht direkt neben sie. Legen Sie die Lebensmittel mit Raumtemperatur in die Gefrierfächer, die keine gefrorenen Lebensmittel enthalten.
- Essen Sie keine Eiskwürfel, Wassereis oder Eis am Stiel, wenn sie direkt aus dem Gefriergerät genommen wurden. Gefahr von Erfrierungen.
- Frieren Sie aufgetaute Lebensmittel nicht wieder ein. Wenn Lebensmittel aufgetaut wurden, kochen Sie sie, lassen Sie sie abkühlen und frieren Sie sie dann ein.

6.3 Hinweise zur Lagerung von Tiefkühlgerichten

- Das Gefrierfach ist mit  gekennzeichnet.
- Eine höhere Temperatureinstellung im Gerät kann die Haltbarkeit verkürzen.
- Der gesamte Gefrierraum ist für die Lagerung von Tiefkühlprodukten geeignet.
- Lassen Sie ausreichend Platz um die Lebensmittel herum, damit die Luft frei zirkulieren kann.
- Die Haltbarkeit von Lebensmitteln ist auf dem Etikett der Lebensmittelverpackung angegeben.
- Es ist wichtig, die Lebensmittel so zu verpacken, dass kein Wasser, Feuchtigkeit oder Kondenswasser ins Innere gelangt.

6.4 Einkaufstipps

Nach dem Lebensmitteleinkauf:

- Achten Sie darauf, dass die Verpackung nicht beschädigt ist - die Lebensmittel könnten verdorben sein. Wenn die

Verpackung aufgequollen oder nass ist, wurde das Lebensmittel möglicherweise nicht unter den optimalen Bedingungen gelagert und das Auftauen hat eventuell bereits begonnen.

- Um den Auftauprozess zu minimieren, kaufen Sie Tiefkühlware am Ende Ihres Einkaufs und transportieren Sie diese in einer Isoliertasche.
- Legen Sie die tiefgefrorenen Lebensmittel sofort nach der Rückkehr aus dem Laden in das Gefriergerät.
- Wenn Lebensmittel auch nur teilweise aufgetaut sind, dürfen sie nicht wieder eingefroren werden. Verzehren Sie sie schnell wie möglich.
- Beachten Sie das Haltbarkeitsdatum und die Lagerinformationen auf der Verpackung.


6.5 Lagerdauer im Gefrierfach

Lebensmittel	Lagerdauer (Monate)
Brot	3
Früchte (außer Zitrusfrüchten)	6 - 12
Gemüse	8 - 10
Reste ohne Fleisch	1 - 2
Molkereiprodukte:	
Butter	6 - 9
Weichkäse (z. B. Mozzarella)	3 - 4
Hartkäse (z. B. Parmesan, Cheddar)	6
Meeresfrüchte:	
Fetthaltiger Fisch (z. B. Lachs, Makrele)	2 - 3 4 - 6
Fettarmer Fisch (z. B. Dorsch, Flunder)	12
Shrimps	3 - 4
Muscheln und Miesmuscheln ohne Schale	1 - 2
Gekochter Fisch	
Fleisch:	
Geflügel	9 - 12
Rindfleisch	6 - 12
Schweinefleisch	4 - 6
Lamm	6 - 9
Wurst	1 - 2
Schinken	1 - 2
Reste mit Fleisch	2 - 3

6.6 Tipps für die Kühlung frischer Lebensmittel

- Eine gute Temperatureinstellung, die die Konservierung von frischen Lebensmitteln sicherstellt, ist eine Temperatur von weniger oder gleich +4 °C. Eine höhere Temperatureinstellung im Gerät kann die Haltbarkeit der Lebensmittel verkürzen.
- Decken Sie die Lebensmittel mit Verpackungsmaterial ab, um ihre Frische und ihr Aroma zu bewahren.
- Verwenden Sie immer geschlossene Behälter für Flüssigkeiten und Lebensmittel, um Düfte oder Gerüche im Fach zu vermeiden.
- Um eine Kreuzkontamination zwischen gekochten und rohen Lebensmitteln zu vermeiden, decken Sie die gekochten Lebensmittel ab und trennen Sie sie von den rohen.
- Es wird empfohlen, Lebensmittel im Kühlschrank aufzutauen.
- Stellen Sie keine warmen Lebensmittel in das Gerät. Vergewissern Sie sich, dass sie auf Raumtemperatur abgekühlt sind, bevor Sie sie in das Gerät stellen.
- Um eine Verschwendung von Lebensmitteln zu vermeiden, sollten neue Lebensmittel immer hinter die alten gelegt werden.

6.7 Hinweise für die Kühlung von Lebensmitteln

- Das Fach für frische Lebensmittel ist (auf dem Typenschild) gekennzeichnet mit .

- Fleisch (alle Sorten): Wickeln Sie Fleisch in geeignetes Material und legen Sie dieses auf die Glasablage über der Gemüseschublade. Lagern Sie Fleisch höchstens 1-2 Tage.
- Obst und Gemüse: Gründlich reinigen (Erde entfernen) und in die spezielle Schublade (Gemüseschublade) legen.
- Es wird empfohlen, exotische Früchte wie Bananen, Mangos, Papayas usw. nicht im Kühlschrank aufzubewahren.
- Gemüse wie Tomaten, Kartoffeln, Zwiebeln und Knoblauch sollten nicht im Kühlschrank aufbewahrt werden.
- Butter und Käse: Diese sollten stets in luftdichten Behältern verpackt sein oder in Aluminiumfolie bzw. in Polyäthylenbeutel eingepackt werden, um so wenig Luft wie möglich in der Verpackung zu haben.
- Flaschen: Sie sollten mit Deckel in der Flaschenablage in der Tür oder im Flaschenhalter (falls vorhanden) aufbewahrt werden.
- Achten Sie auf das Haltbarkeitsdatum der Lebensmittel, damit Sie wissen, wie lange sie gelagert werden können.

7. REINIGUNG UND PFLEGE

WARNUNG!

Sehen Sie Kapitel „Sicherheitshinweise“.

7.1 Allgemeine Warnhinweise

VORSICHT!

Ziehen Sie vor jeder
Wartungsmaßnahme immer den
Netzstecker aus der Steckdose.



Dieses Gerät enthält Kohlenwasserstoffe in seinem Kältekreislauf. Aus diesem Grund dürfen die Wartung und das Nachfüllen ausschließlich durch autorisiertes Fachpersonal erfolgen.



Das Zubehör des Geräts und die Innenteile eignen sich nicht für die Reinigung im Geschirrspüler.

7.2 Reinigung des Innenraums

Bevor Sie das Gerät zum ersten Mal benutzen, sollten Sie das Innere und alle Zubehörteile mit lauwarmem Wasser und etwas neutralem Reinigungsmittel waschen, um den typischen Geruch eines fabrikneuen Geräts zu entfernen, und dann gründlich trocknen.

VORSICHT!

Verwenden Sie keine chemischen Reinigungsmittel, Scheuerpulver, chlor- oder ölhaltige Reinigungsmittel, da diese die Oberfläche beschädigen.

VORSICHT!

Das Zubehör und die Teile des Geräts sind nicht zur Reinigung im Geschirrspüler geeignet.

VORSICHT!

Reinigen Sie das Bedienfeld mit einem feuchten Tuch. Verwenden Sie keine Reinigungsmittel. Wischen Sie das Bedienfeld nach der Reinigung mit einem weichen Lappen trocken.

7.3 Regelmäßige Reinigung

VORSICHT!

Ziehen Sie nicht an Leitungen und/oder Kabeln im Innern des Geräts und achten Sie darauf, diese nicht zu verschieben oder zu beschädigen.

VORSICHT!

Beschädigen Sie nicht das Kühlsystem.

VORSICHT!

Beim Bewegen des Schrankes heben Sie ihn an der Vorderkante an, um Kratzer auf dem Boden zu vermeiden.

Reinigen Sie das Gerät regelmäßig:

1. Reinigen Sie das Innere und die Zubehörteile mit lauwarmem Wasser und etwas neutralem Reinigungsmittel.
2. Prüfen und säubern Sie die Türdichtungen in regelmäßigen Abständen, um zu gewährleisten, dass diese sauber und frei von Fremdkörpern sind.
3. Gründlich abspülen und trocknen. Die unterste Ablage trennt den Kühlraum vom restlichen Innenraum und sollte nur zur Reinigung entfernt werden. Ziehen Sie die Ablage gerade heraus. Die Abdeckplatten über den Schubladen im Fach können zur Reinigung herausgenommen werden.

7.4 Abtauen des Gefriergeräts

Das Gefrierfach ist ein NoFrost-Fach. Das bedeutet, dass sich während des Betriebs weder an den Innenwänden noch an Lebensmitteln Reif bildet.

7.5 Abtauen des Kühlschranks

Die Abtauung des Kühlfachs erfolgt automatisch. Das dabei angesammelte Wasser läuft in einen Behälter am Kompressor und verdunstet. Der Behälter kann nicht entfernt werden.

7.6 Stillstandszeiten

Bei längerem Stillstand des Geräts müssen Sie folgende Vorkehrungen treffen:

1. Trennen Sie das Gerät von der Stromversorgung.
2. Entfernen Sie alle Lebensmittel.
3. Reinigen Sie das Gerät und alle Zubehörteile.
4. Lassen Sie die Türen offen, um das Entstehen unangenehmer Gerüche zu vermeiden.

8. PROBLEMBEHEBUNG

WARNUNG!

Sehen Sie Kapitel „Sicherheitshinweise“.

8.1 Was zu tun ist, wenn ...

Störung	Mögliche Ursache	Lösung
Das Gerät funktioniert nicht.	Das Gerät ist ausgeschaltet.	Schalten Sie das Gerät ein.
	Der Netzstecker ist nicht richtig in die Netzsteckdose eingesteckt.	Stecken Sie den Netzstecker richtig in die Netzsteckdose.
Das Gerät ist laut.	Die Netzsteckdose hat keine Netzspannung.	Schließen Sie ein anderes Elektrogerät an der Netzsteckdose an. Wenden Sie sich an eine(n) qualifizierte(n) Elektriker*in.
	Das Gerät ist nicht ordnungsgemäß abgestützt.	Prüfen Sie, ob sich das Gerät in einer stabilen Position befindet.
Es wird ein akustisches oder optisches Alarmsignal ausgelöst.	Das Gerät wurde vor kurzem eingeschaltet.	Siehe „Hochtemperaturalarm“.
	Die Temperatur im Gerät ist zu hoch.	Siehe „Hochtemperaturalarm“.
Es wird ein akustisches oder optisches Alarmsignal ausgelöst.	Die Tür ist offen.	Schließen Sie die Tür.
Der Kompressor arbeitet ständig.	Die Temperatur ist falsch eingestellt.	Siehe Kapitel „Bedienfeld“.
	Es werden zu viele Lebensmittel auf einmal hineingegeben.	Warten Sie einige Stunden und prüfen Sie erneut die Temperatur.
Der Kompressor arbeitet ständig.	Die Raumtemperatur ist zu hoch.	Siehe Kapitel „Montage“.
	Die in das Gerät gegebenen Lebensmittel sind zu warm.	Lassen Sie die Lebensmittel vor deren Aufbewahrung auf Raumtemperatur abkühlen.
Der Kompressor arbeitet ständig.	Die Tür ist nicht richtig geschlossen.	Siehe Abschnitt „Schließen der Tür“.
	Die Funktion Extra Freeze ist eingeschaltet.	Siehe Abschnitt „Funktion Extra Freeze“.
Der Kompressor arbeitet ständig.	Die Funktion Extra Cool ist eingeschaltet.	Siehe Abschnitt „Funktion Extra Cool“.
	Der Kompressor startet nach einer gewissen Zeit.	Das ist normal; es ist kein Fehler aufgetreten.
Die Tür ist falsch ausgerichtet oder beeinträchtigt das Lüftungsgitter.	Das Gerät ist nicht ausgerichtet.	Siehe Montageanleitung.

Störung	Mögliche Ursache	Lösung
Die Tür lässt sich nicht leicht öffnen.	Sie haben versucht, die Tür unmittelbar nach dem Schließen erneut zu öffnen.	
Die Lampe funktioniert nicht.	Die Lampe ist im Standby-Modus.	Schließen Sie die Tür und öffnen Sie die Tür wieder.
	Die Lampe ist defekt.	Wenden Sie sich an das autorisierte Servicezentrum.
Zu viel Frost und Eis.	Die Tür ist nicht richtig geschlossen.	Siehe Abschnitt „Schließen der Tür“.
	Die Dichtung ist verzogen oder verschmutzt.	Siehe Abschnitt „Schließen der Tür“.
	Lebensmittel sind nicht richtig verpackt.	Verpacken Sie das Essen richtig.
	Die Temperatur ist falsch eingestellt.	Siehe Kapitel „Bedienfeld“.
	Das Gerät ist voll von Lebensmitteln und auf die niedrigste Temperatur eingestellt.	Stellen Sie eine höhere Temperatur ein. Siehe Kapitel „Bedienfeld“.
Wasser fließt an der Rückwand des Kühlschranks herunter.	Die Temperatur im Gerät ist zu niedrig, und die Umgebungstemperatur ist zu hoch.	Stellen Sie eine höhere Temperatur ein. Siehe Kapitel „Bedienfeld“.
	Während des automatischen Abtauprozesses taut das Eis an der Rückwand ab.	Das ist richtig.
An der Rückwand des Kühlschranks befindet sich zu viel Kondenswasser.	Die Tür wurde zu häufig geöffnet.	Öffnen Sie die Tür nur bei Bedarf.
	Die Tür wurde nicht vollständig geschlossen.	Achten Sie darauf, dass die Tür vollständig geschlossen ist.
	Die aufbewahrten Lebensmittel waren nicht verpackt.	Packen Sie die Lebensmittel richtig ein, bevor Sie diese in das Gerät legen.
	Es ist normal, dass sich im Sommer und Herbst aufgrund der erhöhten Luft- und Lebensmittelfeuchtigkeit mehr Kondensation bilden kann. Ein Kühlschrank produziert keine Feuchtigkeit. Nach dieser Zeit nimmt die Luftfeuchtigkeit im Kühlschrank von selbst ab.	Stellen Sie den Kühlschrank im Sommer und Herbst auf die wärmere Temperatur ein (ca. 6-7 °C).
Auf den Glasregalen befinden sich Wassertropfen.	Im Kühlschrank befindet sich zu viel Feuchtigkeit.	Wischen Sie die Glasablagen mit einem Tuch ab, um die Wassertropfen zu entfernen.
Die Temperatur kann nicht eingestellt werden.	Die Extra Freeze Funktion oder die Extra Cool Funktion ist eingeschaltet.	Schalten Sie die Extra Freeze Funktion oder Extra Cool Funktion manuell aus oder warten Sie, bis sie sich automatisch deaktiviert. Siehe Abschnitt „Funktion Extra Freeze“ oder „Funktion Extra Cool“.

Störung	Mögliche Ursache	Lösung
Die Temperatur im Gerät ist zu niedrig / zu hoch.	Die Temperatur ist nicht richtig eingestellt.	Stellen Sie eine höhere / niedrigere Temperatur ein.
	Die Tür ist nicht richtig geschlossen.	Siehe Abschnitt „Schließen der Tür“.
	Die Lebensmittel sind zu heiß.	Lassen Sie die Lebensmittel vor der Aufbewahrung abkühlen.
	Zu viele Lebensmittel werden gleichzeitig aufbewahrt.	Bewahren Sie weniger Lebensmittel gleichzeitig auf.
	Die Tür wurde zu oft geöffnet.	Öffnen Sie die Tür nur bei Bedarf.
	Die Funktion Extra Freeze ist eingeschaltet.	Siehe Abschnitt „Funktion Extra Freeze“.
	Die Funktion Extra Cool ist eingeschaltet.	Siehe Abschnitt „Funktion Extra Cool“.
	Im Gerät herrscht keine Kaltluftzirkulation.	Stellen Sie sicher, dass kalte Luft im Gerät zirkuliert. Siehe Kapitel „Tipps und Hinweise“.



Wenn das Problem weiterhin besteht, wenden Sie sich an das autorisierte Servicezentrum.

8.2 Austauschen der Lampe

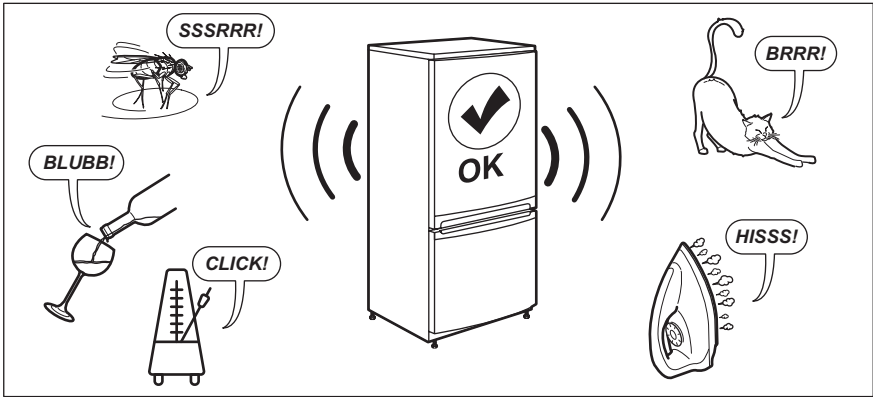
Das Gerät ist mit einer langlebigen LED-Innenbeleuchtung ausgestattet.

Nur Service-Fachpersonal darf die Beleuchtungseinheit ersetzen. Wenden Sie sich an Ihren autorisierten Kundendienst.

8.3 Schließen der Tür

1. Reinigen Sie die Türdichtungen.
2. Passen Sie die Tür bei Bedarf an. Siehe Kapitel „Montage“.
3. Ersetzen Sie bei Bedarf die defekten Türdichtungen. Weitere Informationen können Sie bei dem autorisierten Servicezentrum einholen.

9. GERÄUSCHE



10. TECHNISCHE DATEN

Die technischen Daten befinden sich auf dem Typenschild innen im Gerät sowie auf der Energieplakette.

Der QR-Code auf der Energieplakette des Geräts bietet einen Web-Link zu Informationen über die Geräteleistung in der EU EPREL-Datenbank. Bewahren Sie daher die Energieplakette als Referenz zusammen mit dieser Bedienungsanleitung und allen anderen Unterlagen, die mit dem Gerät geliefert wurden, auf.

Es ist auch möglich, die gleichen Informationen in EPREL zu finden, indem Sie den Link <https://eprel.ec.europa.eu> sowie den Modellnamen und die Produktnummer, die Sie auf dem Typenschild des Geräts finden, verwenden.


Beachten Sie den Link www.theenergylabel.eu bezüglich detaillierter Informationen zur Energieplakette.


11. INFORMATIONEN FÜR PRÜFINSTITUTE

Die Installation und die Vorbereitung des Geräts für eine eventuelle EcoDesign-Prüfung müssen mit EN 62552 (EU) übereinstimmen. Die Lüftungsanforderungen, die Abmessungen der Einbaunische und die Mindestabstände sind in dieser

Bedienungsanleitung unter „Montage„ beschrieben. Weitere Informationen erhalten Sie vom Hersteller, einschließlich der Beladungspläne.

12. UMWELTTIPPS

Recyceln Sie Materialien mit dem Symbol . Entsorgen Sie die Verpackung in den entsprechenden Recyclingbehältern. Recyceln Sie zum Umwelt- und

Gesundheitsschutz elektrische und elektronische Geräte. Entsorgen Sie Geräte mit diesem Symbol  nicht mit dem Hausmüll. Bringen Sie das Gerät zu Ihrer

örtlichen Sammelstelle oder wenden Sie sich
an Ihr Gemeindeamt.

Benvenuto in Electrolux! Grazie per aver scelto di acquistare questo prodotto.



Ricevere consigli, scaricare i nostri opuscoli, eliminare eventuali anomalie, ottenere informazioni sull'assistenza e la riparazione:
www.electrolux.com/support

Con riserva di modifiche.

INDICE

1. INFORMAZIONI DI SICUREZZA.....	71
2. ISTRUZIONI DI SICUREZZA.....	73
3. INSTALLAZIONE.....	75
4. FUNZIONAMENTO.....	78
5. USO QUOTIDIANO.....	81
6. CONSIGLI E SUGGERIMENTI.....	86
7. CURA E PULIZIA.....	88
8. RISOLUZIONE DEI PROBLEMI.....	89
9. RUMORI.....	92
10. DATI TECNICI.....	92
11. INFORMAZIONI PER GLI ISTITUTI DI TEST.....	93
12. CONSIDERAZIONI SULL'AMBIENTE.....	93

1. ⚠ INFORMAZIONI DI SICUREZZA

Leggere attentamente le istruzioni fornite prima di installare e utilizzare l'apparecchiatura. I produttori non sono responsabili di eventuali lesioni o danni derivanti da un'installazione o un uso scorretti. Conservare sempre le istruzioni in un luogo sicuro e accessibile per poterle consultare in futuro.

1.1 Sicurezza dei bambini e delle persone vulnerabili

- Quest'apparecchiatura può essere usata da bambini a partire da 8 anni di età e da adulti con capacità fisiche, sensoriali o mentali limitate o con scarsa esperienza e conoscenza sull'uso dell'apparecchiatura, solamente se sorvegliati o se istruiti relativamente all'utilizzo in sicurezza dell'apparecchiatura e se hanno compreso i rischi coinvolti. I bambini di età compresa tra i 3 e gli 8 anni e le persone con disabilità diffuse e complesse possono caricare e scaricare l'apparecchiatura a condizione che siano stati

istruiti adeguatamente. Tenere i bambini al di sotto dei 3 anni lontani dall'apparecchiatura, a meno che non vi sia una supervisione continua.

- Sorvegliare i bambini per assicurarsi che non giochino con l'apparecchiatura.
- I bambini non devono eseguire interventi di pulizia e manutenzione sull'elettrodomestico senza essere supervisionati.
- Tenere gli imballaggi lontano dai bambini e smaltirli in modo adeguato.

1.2 Avvertenze di sicurezza generali

- Quest'apparecchiatura è destinata esclusivamente alla conservazione di alimenti e bevande.
- Quest'apparecchiatura è progettata per un uso domestico singolo in un ambiente interno.
- Quest'apparecchiatura può essere utilizzata in uffici, camere d'albergo, camere di bed & breakfast, alloggi in agriturismi e altre sistemazioni simili in cui tale utilizzo non superi i livelli di utilizzo domestico (medi).
- Per evitare la contaminazione degli alimenti rispettare le seguenti istruzioni:
 - non aprire la porta per lunghi periodi;
 - pulire regolarmente le superfici che possono venire a contatto con gli alimenti e i sistemi di drenaggio accessibili;
 - conservare la carne e il pesce crudo in contenitori adeguati in frigorifero, in modo che non venga a contatto con altri alimenti e non goccioli su altri alimenti.
- **AVVERTENZA:** Verificare che le aperture di ventilazione, sia sull'apparecchiatura che nella struttura da incasso, siano libere da ostruzioni.
- **AVVERTENZA:** Non usare dispositivi elettrici o altri mezzi artificiali non raccomandati dal produttore allo scopo di accelerare il processo di sbrinamento.
- **AVVERTENZA:** Non danneggiare il circuito refrigerante.

- **AVVERTENZA:** Non utilizzare apparecchiature elettriche all'interno dei compartimenti di conservazione degli alimenti, ad eccezione di quelli consigliati dal costruttore.
- Non nebulizzare acqua né utilizzare vapore per pulire l'apparecchiatura.
- Pulire l'apparecchiatura con un panno inumidito e morbido. Utilizzare solo detergenti neutri. Non usare prodotti abrasivi, spugnette abrasive, solventi od oggetti metallici.
- Quando l'apparecchiatura resta vuota per un lungo periodo di tempo, spegnerla, sbrinarla, pulirla, asciugarla e lasciare la porta aperta per evitare la formazione di muffa al suo interno.
- Non conservare in questa apparecchiatura sostanze esplosive come bombolette spray contenenti un propellente infiammabile.
- Se il cavo di alimentazione è danneggiato, deve essere sostituito dal produttore, da un tecnico autorizzato o da una persona qualificata per evitare situazioni di pericolo.

2. ISTRUZIONI DI SICUREZZA

2.1 Installazione

AVVERTENZA!

L'installazione dell'apparecchiatura deve essere eseguita da personale qualificato.

- Rimuovere tutti i materiali di imballaggio.
- Non installare o utilizzare l'apparecchiatura se è danneggiata.
- Attenersi alle istruzioni fornite insieme all'apparecchiatura.
- Prestare sempre attenzione in fase di spostamento dell'apparecchiatura, dato che è pesante. Usare sempre i guanti di sicurezza e le calzature adeguate.
- Assicurarsi che l'aria possa circolare liberamente attorno all'apparecchiatura.
- In fase di prima installazione o dopo aver girato la porta, attendere almeno 4 ore prima di collegare l'apparecchiatura alla sorgente di alimentazione. Questo serve a consentire all'olio di fluire nuovamente nel compressore.

- Prima di eseguire eventuali operazioni sull'apparecchiatura (ad esempio invertire la porta), togliere la spina dalla presa di corrente.
- Non installare l'apparecchiatura vicino a radiatori o fornelli, forni o piani cottura, se non diversamente specificato nelle istruzioni di installazione.
- Non esporre l'apparecchiatura alla pioggia.
- Non installare l'apparecchiatura dove sia esposta alla luce solare diretta.
- Non installare questa apparecchiatura in aree troppo umide o troppo fredde.
- Quando si sposta l'apparecchiatura, sollevarla dal bordo anteriore, così da non graffiare il pavimento.

2.2 Collegamento elettrico

AVVERTENZA!

Rischio di incendio e scossa elettrica.

AVVERTENZA!

In fase di posizionamento dell'apparecchiatura, verificare che il cavo di alimentazione non sia intrappolato o danneggiato.

AVVERTENZA!

Non utilizzare prese multiple e prolunghe.

- L'apparecchiatura deve disporre di una messa a terra.
- Verificare che i parametri sulla targhetta siano compatibili con le indicazioni elettriche dell'alimentazione.
- Utilizzare sempre una presa elettrica con contatto di protezione correttamente installata.
- Accertarsi di non danneggiare i componenti elettrici (ad es. la spina di alimentazione, il cavo di alimentazione, il compressore). Contattare il centro di assistenza tecnica autorizzato o un elettricista per sostituire i componenti elettrici.
- Il cavo di alimentazione deve rimanere sotto il livello della spina di alimentazione.
- Inserire la spina di alimentazione nella presa solo al termine dell'installazione. Verificare che la spina di alimentazione rimanga accessibile dopo l'installazione.
- Non tirare il cavo di alimentazione per scollegare l'apparecchiatura. Tirare sempre dalla spina.

2.3 Utilizzo

AVVERTENZA!

Rischio di lesioni, scottature o scosse elettriche.



L'apparecchiatura contiene gas infiammabile, isobutano (R600a), un gas naturale con un alto livello di compatibilità ambientale. Fare attenzione a non danneggiare il circuito refrigerante che contiene isobutano.

- Non modificare le specifiche tecniche dell'apparecchiatura.
- Non introdurre apparecchiature elettriche (ad es. gelatiere) nell'apparecchiatura se

non specificamente consentito dal produttore.

- Nel caso di danno al circuito refrigerante, assicurarsi che non si sviluppino fiamme libere e scintille nel locale. Aerare bene l'ambiente.
- Non appoggiare oggetti incandescenti sulle parti in plastica dell'apparecchiatura.
- Non introdurre bevande analcoliche nel vano congelatore. Si verrà a creare una pressione nel contenitore della bevanda.
- Non conservare gas e liquidi infiammabili nell'apparecchiatura.
- Non appoggiare o tenere liquidi o materiali infiammabili, né oggetti facilmente infiammabili sull'apparecchiatura, al suo interno o nelle immediate vicinanze.
- Non toccare il compressore o il condensatore. Sono incandescenti.
- Non togliere o toccare gli oggetti nel vano congelatore con le mani bagnate o umide.
- Non ricongelare del cibo precedentemente scongelato.
- Attenersi alle istruzioni per la conservazione riportate sulla confezione del cibo surgelato.
- Avvolgere gli alimenti con materiali per uso alimentare prima di metterli nello scomparto del congelatore.
- Evitare che gli alimenti vengano a contatto con le pareti interne degli scomparti dell'apparecchiatura.

2.4 Illuminazione interna

AVVERTENZA!

Pericolo di scossa elettrica.

- Questo prodotto contiene una o più sorgenti luminose di classe di efficienza energetica F.
- Per quanto riguarda la lampada o le lampade all'interno di questo prodotto e le lampade di ricambio vendute separatamente: Queste lampade sono destinate a resistere a condizioni fisiche estreme negli elettrodomestici, come temperatura, vibrazioni, umidità, o sono destinate a segnalare informazioni sullo stato operativo dell'apparecchio. Non sono destinate ad essere utilizzate in altre applicazioni e non sono adatte per l'illuminazione di ambienti domestici.

2.5 Cura e pulizia

AVVERTENZA!

Rischio di lesioni o danni all'apparecchiatura.

- Prima di eseguire qualunque intervento di manutenzione, spegnere l'apparecchiatura ed estrarre la spina dalla presa.
- L'unità refrigerante di questa apparecchiatura contiene idrocarburi. L'unità deve essere ricaricata ed ispezionata esclusivamente da personale qualificato.

2.6 Assistenza tecnica

- Per far riparare l'apparecchiatura, rivolgersi a un Centro di Assistenza Autorizzato. Utilizzare solo ricambi originali.
- Tenere presente che la riparazione autonoma o non professionale possono avere conseguenze sulla sicurezza e potrebbero invalidare la garanzia.
- I pezzi di ricambio seguenti sono disponibili per almeno 7 anni dopo la cessazione della produzione del modello: termostati, sensori di temperatura, circuiti stampati, sorgenti luminose, maniglie delle porte, cerniere delle porte, vassoi e cestelli. Le guarnizioni per porte sono disponibili per almeno 10 anni dopo la

cessazione della produzione del modello. La durata potrebbe essere più lunga nel tuo Paese. Per ulteriori informazioni visita il nostro sito web.

- Si prega di notare che alcuni di questi pezzi di ricambio sono disponibili solo per i riparatori professionisti e che non tutti i pezzi di ricambio sono rilevanti per tutti i modelli.

2.7 Smaltimento

AVVERTENZA!

Rischio di lesioni o soffocamento.

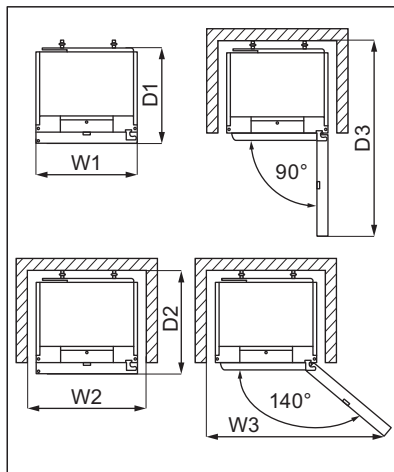
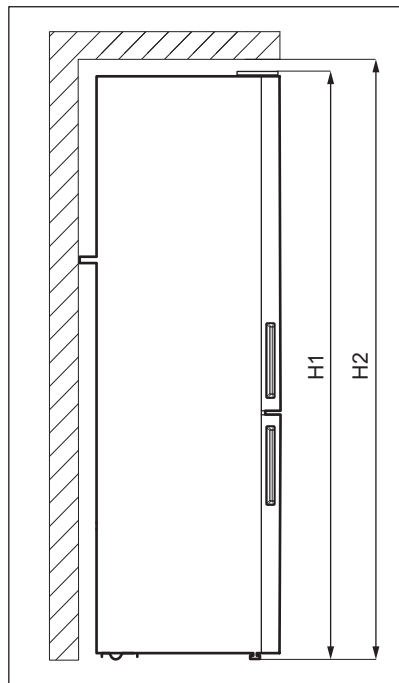
- Staccare la spina dall'alimentazione elettrica.
- Tagliare il cavo di rete e smaltirlo.
- Rimuovere la porta per evitare che bambini e animali domestici rimangano chiusi all'interno dell'apparecchiatura.
- Il circuito refrigerante e i materiali di isolamento di questa apparecchiatura rispettano l'ozono.
- La schiuma isolante contiene gas infiammabili. Contattare le autorità locali per ricevere informazioni su come smaltire correttamente l'apparecchiatura.
- Non danneggiare i componenti dell'unità refrigerante che si trovano vicino allo scambiatore di calore.

3. INSTALLAZIONE

AVVERTENZA!

Fare riferimento ai capitoli sulla sicurezza.

3.1 Dimensioni



Dimensioni complessive ¹

H1	mm	1870
W1	mm	595
D1	mm	639

¹ l'altezza, la larghezza e la profondità dell'apparecchiatura senza l'impugnatura

Spazio necessario durante l'uso ²

H2	mm	1900
W2	mm	600
D2	mm	700

² l'altezza, la larghezza e la profondità dell'apparecchio, compresa la maniglia, più lo spazio necessario per la libera circolazione dell'aria di raffreddamento

Spazio complessivo necessario durante l'uso ³

H2	mm	1900
W3	mm	1031
D3	mm	1256

³ l'altezza, la larghezza e la profondità dell'apparecchiatura, compresa la maniglia, più lo spazio necessario per la libera circolazione dell'aria di raffreddamento, più lo spazio necessario per consentire l'apertura della porta con l'angolazione minima che permette la rimozione di tutte le apparecchiature interne

3.2 Posizione

Questa apparecchiatura non è stata pensata per essere usata come apparecchiatura da incasso.

In caso di installazione diversa da quella libera rispettando lo spazio richiesto dalle dimensioni d'uso, l'apparecchiatura funzionerà correttamente ma il consumo energetico potrebbe aumentare leggermente.

Per garantire la migliore funzionalità dell'apparecchiatura, non installarla in un luogo esposto alla luce diretta del sole. Non installare l'apparecchiatura vicino a fonti di calore (forno, stufe, termosifoni, fornelli, cappe, piani cottura o piani cottura con estrattore) se non specificato diversamente nelle istruzioni di installazione. Controllare che sul retro dell'apparecchio sia garantita un'adeguata circolazione dell'aria.

Questa apparecchiatura deve essere installata in una posizione interna asciutta e ben ventilata.

Per garantire le migliori prestazioni, se l'apparecchiatura è posizionata sotto un pensile a sbalzo, deve essere mantenuta la distanza minima tra la parte superiore dell'armadio. L'apparecchiatura non deve tuttavia essere posizionata sotto un pensile. Uno o più piedini regolabili alla base dell'armadietto garantiscono che l'apparecchiatura resti in piano.

ATTENZIONE!

Se si posiziona l'apparecchiatura contro la parete, utilizzare i distanziatori posteriori in dotazione o mantenere la distanza minima indicata nelle istruzioni di installazione.

ATTENZIONE!

Se si installa l'apparecchiatura vicino a una parete, fare riferimento alle istruzioni di installazione per capire la distanza minima tra la parete e il lato dell'apparecchio dove le cerniere della porta devono fornire spazio sufficiente per aprire la porta quando l'apparecchiatura interna viene rimossa (ad es. durante la pulizia)..

Questa apparecchiatura è destinata a un utilizzo a temperature ambiente comprese tra 10°C e 43°C.



Il corretto funzionamento dell'apparecchiatura può essere garantito solo nel rispetto delle temperature indicate.



In caso di dubbi sul luogo di installazione dell'apparecchiatura, contattare il venditore, il nostro Centro di Assistenza o il Centro di Assistenza Autorizzato più vicino.



Deve essere possibile scollegare l'apparecchiatura dalla rete elettrica. Eseguire perciò l'installazione facendo sì che la spina rimanga facilmente accessibile.

3.3 Collegamento elettrico

- Prima di collegare la spina, assicurarsi che la tensione e la frequenza indicate sulla targhetta identificativa corrispondano all'alimentazione elettrica domestica.
- L'apparecchiatura deve essere collegata a terra. La spina del cavo di alimentazione è dotata di un contatto adatto a tal fine. Se la presa di alimentazione domestica non è collegata a terra, collegare l'apparecchiatura a una messa a terra separata in conformità alle normative vigenti, consultando un elettricista qualificato.
- Il produttore declina ogni responsabilità qualora non vengono rispettate le precauzioni per la sicurezza di cui sopra.

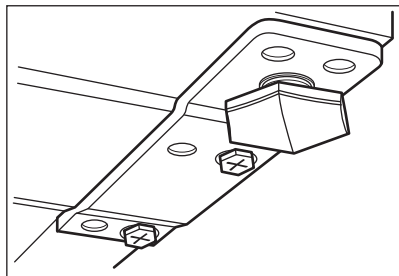
3.4 Livellamento



L'allineamento della porta dipende dal livellamento corretto.

Consigliamo di svuotare l'apparecchiatura prima di eseguire questa operazione.

Quando si posiziona l'elettrodomestico, assicurarsi che sia in piano. Ciò può essere effettuato con due piedini regolabili nella parte inferiore anteriore.



3.5 Distanziatori posteriori



Fare riferimento al documento separato con le istruzioni per l'installazione e l'inversione della porta.

ATTENZIONE!

Se si posiziona l'apparecchiatura contro la parete in un'installazione indipendente, installare i distanziatori posteriori per garantire la distanza minima richiesta per la circolazione dell'aria. Utilizzare i distanziali posteriori forniti come indicato nelle Istruzioni di installazione.

3.6 Come invertire la porta

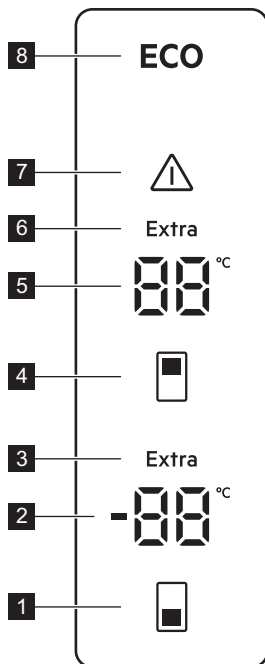
Fare riferimento al documento separato con le istruzioni per l'installazione e l'inversione della porta.

ATTENZIONE!

In ogni fase di inversione della porta proteggere il pavimento da graffi con un materiale resistente.

4. FUNZIONAMENTO


4.1 Pannello dei comandi



- 1 Tasto della temperatura del congelatore
- 2 Spia vano congelatore
- 3 Extra Freeze indicatore
- 4 Tasto della temperatura del frigorifero
- 5 Spia vano frigorifero
- 6 Extra Cool indicatore
- 7 Spia allarme
- 8 ECOMETER indicatore


4.2 Accensione


1. Collegare la spina alla presa di alimentazione.
2. Tenere premuti contemporaneamente il tasto temperatura del congelatore e il tasto temperatura del frigorifero per 10 secondi.

Il display mostra l'indicatore lampeggiante .

4.3 Spegnimento

1. Tenere premuti contemporaneamente il tasto temperatura del congelatore e il tasto temperatura del frigorifero per 10 secondi.

Il display mostra l'indicatore lampeggiante .

2. L'apparecchiatura è spenta e l'indicatore  costante sostituisce la temperatura del frigorifero. Scollega la spina di alimentazione dalla presa di corrente.

4.4 Regolazione della temperatura

Impostare la temperatura dell'apparecchio premendo i pulsanti di regolazione della temperatura. Le temperature impostate consigliate sono:

- +4°C per il frigorifero
- -18°C per il congelatore

L'intervallo di temperatura può variare tra -15 e -24°C per il congelatore e tra 2 e 8°C per il frigorifero.



Le spie della temperatura mostrano la temperatura impostata. La temperatura impostata verrà raggiunta entro 24 ora. Dopo un'interruzione di corrente la temperatura impostata rimane memorizzata.



La spia LED ECO si accende quando viene impostata la temperatura o il livello consigliato.



Disattivare la funzione Extra Freeze prima di impostare un livello di temperatura del congelatore diverso.

4.5 ECO funzione

La funzione ECO garantisce il consumo di temperatura minimo con la temperatura ottimale per garantire la conservazione degli alimenti.

Quando è attiva questa modalità:

- La temperatura predefinita del vano frigorifero è 4°C.
- La temperatura predefinita del vano congelatore è -18°C.

Per disattivare la funzione ECO:

- impostare una temperatura diversa. Fare riferimento alla funzione "Regolazione della temperatura".
- attivare le funzioni Extra Cool e Extra Freeze.

4.6 Extra Cool funzione

Se è necessario inserire una grande quantità di cibo a temperatura ambiente nel vano frigorifero, ad esempio dopo la spesa, attivare la funzione Extra Cool. Questa funzione accelera il raffreddamento e impedisce il riscaldamento degli alimenti già presenti.

Per attivare la funzione, tenere premuto il pulsante della temperatura del frigorifero fino a quando la spia Extra Cool non si accende.

La funzione si arresta automaticamente dopo circa 6 ore.

Per disattivare la funzione Extra Cool prima della fine automatica, tenere premuto il pulsante della temperatura del frigorifero fino a quando la spia Extra Cool non si spegne.

Per impostare una temperatura diversa del frigorifero, disattivare la funzione Extra Cool. Vedere la sezione "Regolazione della temperatura".

4.7 Extra Freeze funzione

La funzione Extra Freeze esegue il pre-congelamento e il congelamento rapido in sequenza del vano congelatore. Questa funzione accelera il congelamento di alimenti freschi e protegge i prodotti già riposti evitando che si scaldino.



Per congelare alimenti freschi, attivare la funzione Extra Freeze almeno 4 ore prima di introdurli nel vano congelatore.

Per attivare la funzione Extra Freeze, tenere premuto il pulsante della temperatura del congelatore fino a quando la spia Extra Freeze non si accende.

Questa funzione si interrompe in modo automatico dopo 24 ore.

Per disattivare la funzione Extra Freeze prima della fine automatica, tenere premuto il pulsante della temperatura del congelatore fino a quando la spia Extra Freeze non si spegne.

4.8 Allarme di porta aperta

L'allarme si attiva se la porta del frigorifero o del congelatore viene lasciata aperta per circa 5 minuti. Durante l'allarme:

- il segnale acustico è attivato,
- gli indicatori della temperatura lampeggiano,
- la spia di allarme lampeggia.

La luce interna del frigorifero potrebbe lampeggiare.

L'allarme si arresta dopo la chiusura della porta.

È possibile spegnere l'allarme premendo un pulsante qualsiasi.



Il segnale acustico si spegne automaticamente dopo 1 ora.

4.9 Allarme temperatura elevata



L'allarme si attiva quando si collega l'apparecchiatura all'alimentazione per la prima volta.

Scoperto congelatore

L'allarme si attiva quando la temperatura del congelatore è troppo alta.

Durante l'allarme:

- il display mostra **E09** che lampeggia,
- la spia di allarme lampeggia,
- il suono dell'allarme è attivo.

Spegnimento dell'allarme

- Premere un tasto qualsiasi sul pannello dei comandi per disattivare l'allarme. La spia di allarme e il suono si disattivano. Il display mostra **E09** per 5 secondi, quindi viene visualizzata la temperatura attuale del congelatore.
- Il segnale dell'allarme si spegne automaticamente dopo 1 ora. Se la

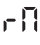
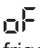
temperatura è ancora troppo alta, l'allarme si attiva nuovamente.

- Quando la temperatura ritorna al valore impostato, l'allarme si spegne e il display normale viene ripristinato.



4.10 Rest modalità

La modalità Rest garantisce una conservazione ottimale degli alimenti riducendo al minimo il consumo energetico durante i periodi di non funzionamento.

Per attivare la modalità Rest, tenere premuto il tasto della temperatura del congelatore per 5 secondi. Il display visualizza:

-  sull'indicatore della temperatura del congelatore,
-  sull'indicatore della temperatura del frigorifero.

Toccare il pulsante Temperatura congelatore per attivare o disattivare la modalità Rest.

L'indicatore della temperatura passa a  quando la modalità è abilitata o a  quando la modalità Rest è disabilitata.

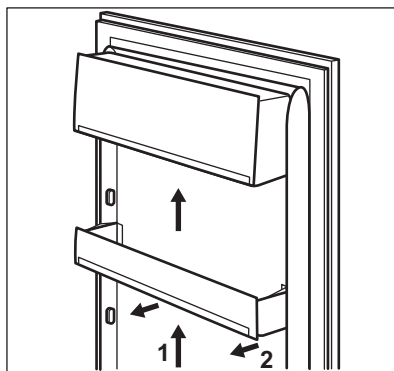
La modalità Rest si attiva dopo 3 giorni senza alcuna interazione con l'apparecchiatura. La modalità Rest si disattiva automaticamente dopo qualsiasi interazione con l'apparecchiatura.

5. USO QUOTIDIANO

5.1 Posizionamento dei ripiani della porta

Per consentire la conservazione di confezioni per alimenti di varie dimensioni, i ripiani per porta possono essere posizionati ad altezze differenti.

1. Tirare gradualmente il ripiano fino a che non si libera.
2. Riposizionare come necessario.



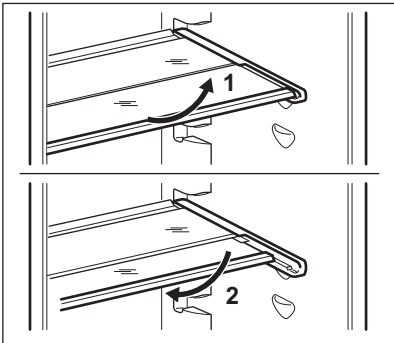
5.2 Ripiani rimovibili

Le guide presenti sulle pareti del frigorifero permettono di posizionare i ripiani a diverse altezze.

L'apparecchiatura è anche dotata di un ripiano composto di due parti. La metà anteriore del ripiano può essere collocata sotto alla seconda per usare meglio lo spazio.

Per piegare il ripiano:

1. Estrarre delicatamente la metà anteriore.
2. Farla scorrere nel binario inferiore e sotto al secondo ripiano.



Per garantire una corretta circolazione dell'aria, non spostare il ripiano di vetro posto sopra il cassetto delle verdure.

5.3 GreenZone cassetto

Nella parte inferiore del vano frigorifero si trova un cassetto estraibile.

Il ripiano in vetro del GreenZone è dotato di un dispositivo che ne regola la tenuta e permette di avere un'umidità ottimale all'interno del cassetto.

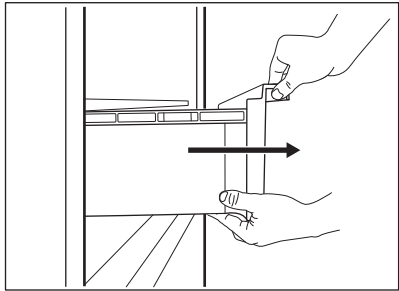
5.4 Rimozione dei cassettei GreenZone



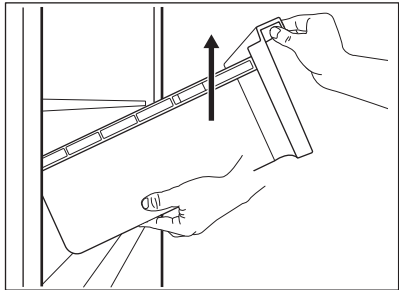
Consigliamo di svuotare il cassetto prima di toglierlo dal frigorifero.

Per rimuovere il cassetto:

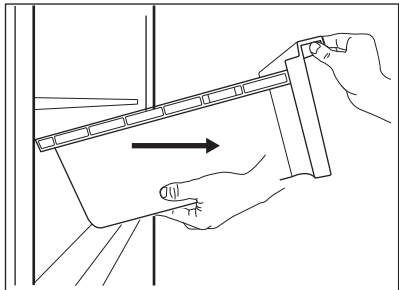
1. Estrarre il cassetto dal frigorifero.



2. Sollevare la parte anteriore del cassetto.

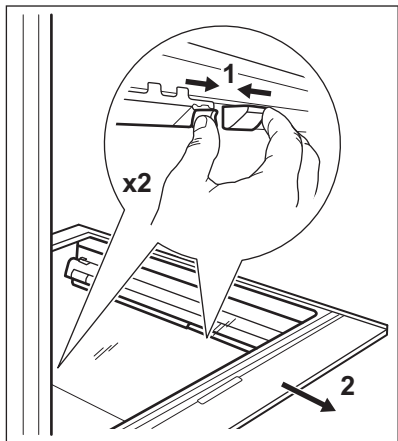


3. Estrarre il cassetto sollevandolo.

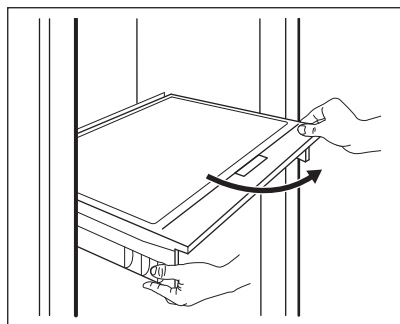


Per rimuovere il coperchio in vetro del cassetto GreenZone:

1. Sbloccare contemporaneamente la presa laterale su entrambi i lati.



2. Tirare il supporto del ripiano in vetro verso di sé.

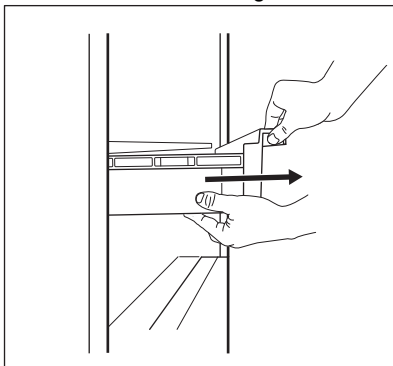


5.5 Estrazione ExtraChill

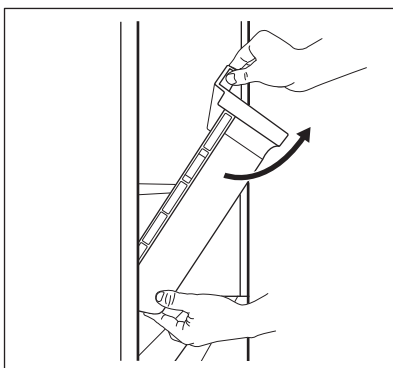
È presente un cassetto sopra il cassetto GreenZone.

Per rimuovere il cassetto:

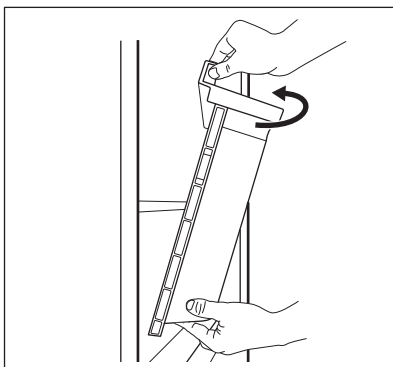
1. Estrarre il cassetto dal frigorifero.



2. Sollevare la parte anteriore del cassetto.



3. Sollevare e ruotare il cassetto per estrarlo dall'apparecchiatura.



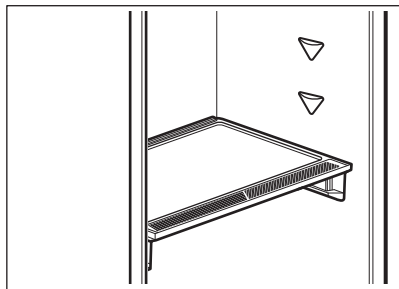
Il ripiano sopra il cassetto può essere rimosso dall'apparecchiatura solo a scopo di pulizia.

5.6 Controllo umidità

Il ripiano in vetro del vano GreenZone è dotato di un dispositivo che ne regola la tenuta e permette di mantenere un'umidità ottimale al suo interno.

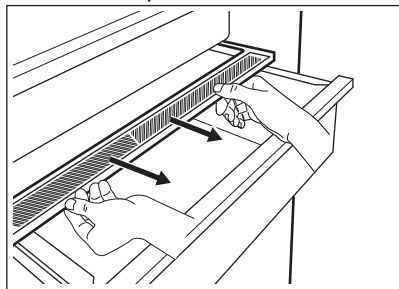


Non collocare alimenti sul dispositivo di controllo dell'umidità.

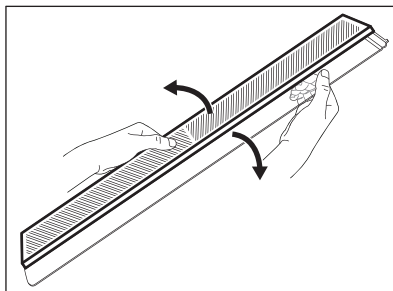


Per rimuovere il dispositivo di controllo dell'umidità:

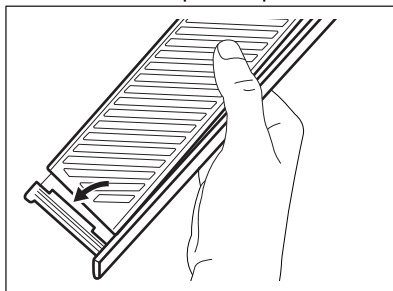
1. Apri il vano sotto il ripiano in vetro ed estrai il coperchio.



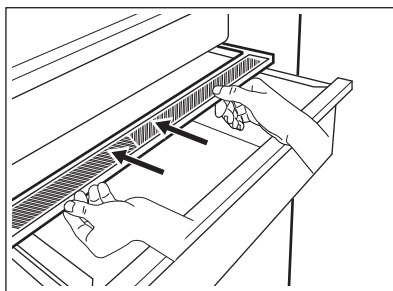
2. Se è necessario sostituire la membrana bianca del dispositivo, afferra il dispositivo al centro e separa la membrana dal coperchio tirando il coperchio.



3. Monta una nuova membrana sul coperchio premendo il bordo della membrana sopra il coperchio.



4. Rimonta il dispositivo di controllo dell'umidità sul vano.



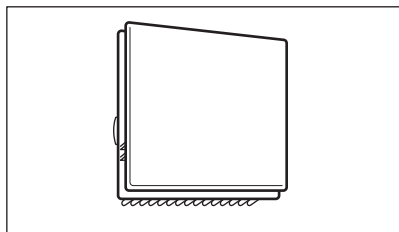
A seconda della quantità e delle condizioni della frutta e della verdura conservata nel cassetto GreenZone, può presentarsi della condensa. Se necessario, rimuovi la condensa utilizzando un panno morbido.

5.7 MULTIFLOW

Il vano frigorifero è dotato di un dispositivo MULTIFLOW che consente un

raffreddamento rapido e più efficace degli alimenti e mantiene una temperatura più uniforme in ogni parte del vano frigorifero.

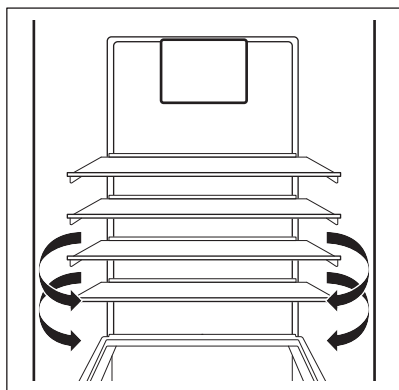
Questo dispositivo si attiva automaticamente quando necessario.



MULTIFLOW funziona solo quando viene chiusa la porta.



Non ostruire le prese dell'aria per consentire un raffreddamento migliore.



Non rimuovere il pannello MULTIFLOW. Non nebulizzare acqua né utilizzare vapore per pulire l'apparecchiatura. Per le istruzioni di pulizia fare riferimento al capitolo "Cura e pulizia".

5.8 Congelamento di alimenti freschi

Lo scomparto congelatore è adatto al congelamento di alimenti freschi e alla conservazione di alimenti congelati e surgelati a lungo.

Per congelare alimenti freschi, attivare la funzione Extra Freeze almeno 4 ore prima di introdurli nel vano congelatore.

Conservare gli alimenti freschi distribuiti uniformemente nel primo scomparto o cassetto dall'alto.

La quantità massima di cibo che può essere congelata, senza l'aggiunta di altri alimenti freschi per 24 ore, è indicata sulla targhetta (un'etichetta situata all'interno dell'apparecchiatura).

Al termine del processo di congelamento l'apparecchiatura ritorna all'impostazione di temperatura precedente. Fare riferimento alla "Funzione Extra Freeze".

Per ulteriori informazioni fare riferimento alla sezione "Consigli per il congelamento".

5.9 Conservazione di cibi congelati

Al primo avvio o dopo un periodo di non utilizzo, lasciare in funzione l'apparecchiatura per almeno 3 ore attivando la funzione Extra Freeze prima di introdurre gli alimenti.

I cassetti del congelatore consentono di trovare rapidamente e facilmente la confezione di alimenti desiderata. Per conservare grandi quantità di cibo, rimuovere tutti i cassetti e collocare gli alimenti sui ripiani. Lasciare in posizione il cassetto inferiore per garantire una buona circolazione dell'aria.

Il cibo sui ripiani deve trovarsi ad una distanza di minimo 15 mm dalla porta.

⚠ ATTENZIONE!

In caso di scongelamento accidentale, ad esempio a causa di un'interruzione di corrente, se la corrente è rimasta spenta più a lungo del valore indicato sulla targhetta sotto "tempo di risalita", gli alimenti scongelati devono essere consumati rapidamente o cotti immediatamente, poi raffreddati e quindi ricongelati. Fare riferimento alla funzione "Allarme temperatura elevata".

5.10 Scongelamento

Prima dell'utilizzo, i cibi surgelati o congelati possono essere scongelati nel frigorifero o,

per un processo più veloce, a temperatura ambiente.

Gli alimenti divisi in piccole porzioni possono essere cucinati direttamente, senza essere prima scongelati: in questo caso la cottura durerà più a lungo.

5.11 Produzione di cubetti di ghiaccio

Questa apparecchiatura è dotata di una o più vaschette per la produzione di cubetti di ghiaccio.



Non usare strumenti metallici per estrarre le vaschette dal vano congelatore.

1. Riempire d'acqua le vaschette.
2. Introdurre le vaschette per il ghiaccio nel vano congelatore.

6. CONSIGLI E SUGGERIMENTI

6.1 Consigli per il risparmio energetico

- Congelatore: L'uso più efficiente dell'energia dipende dalla configurazione interna dell'apparecchiatura.
- Frigorifero: L'uso più efficiente dell'energia è garantito dalla configurazione con i cassetti nella parte inferiore dell'apparecchiatura e i ripiani distribuiti uniformemente. La posizione degli scomparti sulla porta non influisce sul consumo energetico.
- Non aprire frequentemente la porta e limitare il più possibile i tempi di apertura.
- Congelatore: Più fredda è l'impostazione della temperatura, maggiore è il consumo di energia.
- Frigorifero: Non impostare una temperatura troppo alta per risparmiare energia, a meno che non sia richiesta dalle caratteristiche dell'alimento.
- Se la temperatura ambiente è elevata, il controllo della temperatura è impostato su un valore basso e l'apparecchiatura è a pieno carico, il compressore può funzionare in maniera ininterrotta, causando la formazione di brina o di ghiaccio sull'evaporatore. In questo caso, impostare il controllo della temperatura su una posizione più elevata per consentire lo sbrinamento automatico e ridurre così il consumo di energia.
- Garantire una buona ventilazione. Non coprire le griglie o i fori di ventilazione.
- Assicurarsi che i prodotti alimentari all'interno dell'apparecchio permettano la

circolazione dell'aria attraverso appositi fori nella parte posteriore interna dell'apparecchio.


6.2 Consigli per il congelamento

- Attivare la funzione Extra Freeze almeno 4 ore prima di inserire gli alimenti nel vano congelatore.
- Prima di congelare avvolgere e sigillare gli alimenti freschi in: foglio di alluminio, pellicola di plastica o sacchetti, contenitori ermetici con coperchio.
- Per congelare e scongelare in modo più efficace, suddividere gli alimenti in piccole porzioni.
- Si raccomanda di mettere etichette e date su tutti gli alimenti surgelati. Questo aiuterà a identificare gli alimenti e a sapere quando devono essere utilizzati prima del loro deterioramento.
- Il cibo deve essere fresco quando viene congelato per preservarne la buona qualità. Soprattutto frutta e verdura dovrebbero essere congelate dopo il raccolto per preservare tutte le loro sostanze nutritive.
- Non congelare bottiglie o lattine con liquidi, in particolare bevande contenenti anidride carbonica - potrebbero esplodere durante il congelamento.
- Non mettere cibi caldi nel congelatore. Raffreddarli a temperatura ambiente prima di collocarli all'interno dello scomparto.
- Al fine di evitare gli aumenti di temperatura di alimenti già congelati, non mettere alimenti freschi scongelati nelle

immediate vicinanze. Collocare gli alimenti a temperatura ambiente nella parte dello scomparto del congelatore dove non ci sono cibi surgelati.

- Non mangiare i cubetti di ghiaccio, i ghiaccioli o granite subito dopo averli tolti dal congelatore. Rischio di sintomi da congelamento.
- Non congelare nuovamente il cibo scongelato. Se il cibo si è scongelato, cuocerlo, raffreddarlo e poi congelarlo.

6.3 Consigli per la conservazione di cibi congelati

- Il vano congelatore è quello contrassegnato con .
- L'impostazione di una temperatura più elevata all'interno dell'apparecchiatura può portare a una minore durata di conservazione.
- L'intero scomparto del congelatore è adatto alla conservazione di prodotti alimentari surgelati.
- Lasciare abbastanza spazio intorno al cibo per permettere all'aria di circolare liberamente.
- Per una conservazione adeguata, fare riferimento all'etichetta sulla confezione dell'alimento per vedere la durata di conservazione degli alimenti.
- È importante avvolgere il cibo in modo tale da evitare che l'acqua, l'umidità o la condensa penetrino all'interno.

6.4 Consigli per l'acquisto

Dopo aver acquistato alimenti:

- Assicurarsi che l'imballaggio non sia danneggiato - il cibo potrebbe deteriorarsi. Se la confezione è gonfia o bagnata, potrebbe non essere stata conservata nelle condizioni ottimali e lo sbrinamento potrebbe essere già iniziato.
- Per limitare il processo di scongelamento, acquistare i prodotti surgelati alla fine della spesa e trasportarli in un sacchetto termico e isolato.
- Mettete i surgelati immediatamente nel congelatore dopo essere tornati dal negozio.
- Se il cibo si è scongelato anche solo parzialmente, non congelarlo di nuovo. Consumarlo il prima possibile.

- Rispettare la data di scadenza e le informazioni di conservazione sulla confezione.

6.5 Periodo di conservazione per scomparto congelatore


Tipo di cibo	Periodo di conservazione (mesi)
Pane	3
Frutta (a eccezione degli agrumi)	6 - 12
Verdure	8 - 10
Avanzi senza carne	1 - 2
Latticini:	
Burro	6 - 9
Formaggio a pasta molle (ad es. mozzarella)	3 - 4
Formaggio a pasta dura (ad es. parmigiano, cheddar)	6
Frutti di mare:	
Pesci grassi (ad es. salmone, sgombro)	2 - 3
Pesci magri (ad es. merluzzo, platesa)	4 - 6
Gamberetti	12
Vongole e cozze sgusciate	3 - 4
Pesce cotto	1 - 2
Carne:	
Pollame	9 - 12
Manzo	6 - 12
Maiale	4 - 6
Agnello	6 - 9
Salsiccia	1 - 2
Prosciutto	1 - 2
Avanzi con carne	2 - 3

6.6 Suggerimenti per la refrigerazione degli alimenti freschi

- Una buona impostazione della temperatura che garantisce la conservazione degli alimenti freschi è una temperatura inferiore o uguale a +4°C. L'impostazione di una temperatura più elevata all'interno dell'apparecchio può portare a una minore durata di conservazione degli alimenti.
- Coprire il cibo con un imballaggio per preservarne la freschezza e l'aroma.

- Utilizzare sempre contenitori chiusi per liquidi e per alimenti, per evitare sapori o odori nello scomparto.
- Per evitare la contaminazione incrociata tra cibo cotto e crudo, coprire il cibo cotto e separarlo da quello crudo.
- Si consiglia di scongelare il cibo all'interno del frigorifero.
- Non inserire cibo caldo all'interno dell'apparecchiatura. Assicurarsi che si sia raffreddato a temperatura ambiente prima di inserirlo.
- Per evitare lo spreco di cibo, la nuova scorta di cibo dovrebbe essere sempre collocata dietro a quella vecchia.

6.7 Consigli per la refrigerazione dei cibi

- Il comparto alimenti freschi è quello contrassegnato (sulla targhetta dei dati) con .
- Carne (tutti i tipi): deve essere avvolta in appositi sacchetti e collocata sul ripiano di

vetro, sopra il cassetto delle verdure. La carne può essere conservata al massimo per 1-2 giorni.

- Frutta e verdura: pulire accuratamente (eliminare lo sporco) e riporre nell'apposito cassetto (cassetto per la verdura).
- Si consiglia di non conservare in frigorifero i frutti esotici come banane, manghi, papaie, ecc.
- Le verdure come pomodori, patate, cipolle e aglio non devono essere conservate in frigorifero.
- Burro e formaggio: riporli in un apposito contenitore sottovuoto oppure avvolgerli in un foglio di alluminio o in un sacchetto di polietilene per limitare il più possibile la presenza di aria.
- Bottiglie: chiuderle con un tappo e conservarle nel ripiano portabottiglie della porta, o (se presente) sulla griglia portabottiglie.
- Fare sempre riferimento alla data di scadenza dei prodotti per sapere per quanto tempo conservarli.

7. CURA E PULIZIA

AVVERTENZA!

Fare riferimento ai capitoli sulla sicurezza.

7.1 Avvertenze generali

ATTENZIONE!

Prima di qualsiasi intervento di manutenzione, estrarre la spina dalla presa.



Questa apparecchiatura contiene idrocarburi nell'unità di raffreddamento, pertanto le operazioni di manutenzione e ricarica devono essere eseguite esclusivamente da personale autorizzato.



Gli accessori e i componenti dell'apparecchiatura non sono lavabili in lavastoviglie.

7.2 Pulizia dell'interno

Prima di utilizzare l'elettrodomestico per la prima volta, lavare l'interno e gli accessori con acqua tiepida e detergente neutro per eliminare il tipico odore dei prodotti nuovi, quindi asciugare accuratamente.

ATTENZIONE!

Non usare detersivi, polveri abrasive, detersivi a base di cloro od olio, in quanto potrebbero danneggiare le finiture.

ATTENZIONE!

Gli accessori e le parti dell'elettrodomestico non sono adatti per essere lavati in lavastoviglie.

ATTENZIONE!

Pulire il pannello di controllo con un panno umido. Non usare detersivi. Dopo la pulizia, asciugare il pannello di controllo con un panno morbido.

7.3 Pulizia periodica

ATTENZIONE!

Evitare di tirare, spostare o danneggiare tubi e/o cavi all'interno dell'apparecchiatura.

ATTENZIONE!

Non danneggiare il sistema refrigerante.

ATTENZIONE!

Quando si sposta l'armadio, sollevarlo dal bordo anteriore, così da non graffiare il pavimento.

Pulire regolarmente l'apparecchiatura:

1. Pulire l'interno e gli accessori con acqua tiepida e detergente neutro.
2. Ispezionare regolarmente le guarnizioni della porta ed eliminare con un panno umido tracce di sporco e residui.
3. Sciacquare e asciugare accuratamente. Il ripiano inferiore, che divide il vano più freddo dal resto dell'unità, può essere estratto unicamente a scopo di pulizia. Tirare il ripiano per estrarlo. Le piastre di copertura sopra i

cassetti nello scomparto possono essere estratte per la pulizia.

7.4 Sbrinamento del congelatore

Il vano congelatore è "frost free". Ciò significa che non si forma brina durante il normale funzionamento sulle pareti interne dell'apparecchiatura o sugli alimenti.

7.5 Scongellamento del frigorifero

Lo sbrinamento del vano frigorifero è automatico. L'acqua che si condensa fluisce in un contenitore sul compressore per poi evaporare. Il destinatario non può essere rimosso.

7.6 Periodi di non utilizzo

Se l'apparecchiatura non viene utilizzata per un lungo periodo, adottare le seguenti precauzioni:

1. Scollegare l'apparecchiatura dalla rete elettrica.
2. Rimuovere tutto il cibo.
3. Pulire l'apparecchiatura e tutti gli accessori.
4. Lasciare la porte socchiusa/e per evitare la formazione di odori sgradevoli.

8. RISOLUZIONE DEI PROBLEMI

AVVERTENZA!

Fare riferimento ai capitoli sulla sicurezza.

8.1 Cosa fare se...

Problema	Causa possibile	Soluzione
L'apparecchiatura non funziona.	L'apparecchiatura è spenta.	Accendere l'apparecchiatura.
	La spina non è collegata correttamente alla presa elettrica.	Collegare correttamente la spina alla presa elettrica.
	La presa elettrica non ha tensione.	Collegare un'apparecchiatura elettrica diversa alla presa di alimentazione. Contattare un elettricista qualificato.
L'apparecchiatura è rumorosa.	L'apparecchiatura non è supportata correttamente.	Controllare che l'apparecchiatura abbia una posizione stabile.

Problema	Causa possibile	Soluzione
L'allarme acustico o visivo è attivo.	Il mobiletto è stato acceso di recente.	Fare riferimento alla funzione "Allarme temperatura elevata".
	La temperatura all'interno dell'apparecchiatura è troppo alta.	Fare riferimento alla funzione "Allarme temperatura elevata".
L'allarme acustico o visivo è attivo.	La porta è stata lasciata aperta.	Chiudere la porta.
Il compressore funziona in modo continuo.	La temperatura non è impostata correttamente.	Vedere il capitolo "Pannello dei comandi".
	Troppo cibo viene inserito contemporaneamente.	Attendere alcune ore e ricontrollare la temperatura.
	La temperatura ambiente è troppo alta.	Vedere il capitolo "Installazione".
	Gli alimenti introdotti nell'apparecchiatura sono troppo caldi.	Prima di introdurre gli alimenti, lasciarli raffreddare a temperatura ambiente.
	La porta non è chiusa correttamente.	Vedere la sezione "Chiusura della porta".
	La funzione Extra Freeze è attiva.	Vedere la sezione "Funzione Extra Freeze".
	La funzione Extra Cool è attiva.	Vedere la sezione "Funzione Extra Cool".
Il compressore non si avvia immediatamente dopo avere premuto il tasto "Extra Freeze" o "Extra Cool", oppure dopo avere modificato la temperatura.	Il compressore si avvia dopo un certo periodo di tempo.	È normale, non si tratta di un'anomalia di funzionamento.
La porta non è allineata o interferisce con la griglia di ventilazione.	L'apparecchiatura non è perfettamente in piano.	Fare riferimento alle istruzioni di installazione.
La porta non si apre facilmente.	Si è cercato di riaprire la porta subito dopo averla chiusa.	
La lampadina non funziona.	La lampadina è in modalità standby.	Chiudere e aprire la porta.
	La lampadina è difettosa.	Contattare il Centro Assistenza Autorizzato.
C'è una quantità eccessiva di brina e ghiaccio.	La porta non è chiusa correttamente.	Vedere la sezione "Chiusura della porta".
	La guarnizione è deformata o sporca.	Vedere la sezione "Chiusura della porta".
	Il cibo non è avvolto correttamente.	Avvolgere correttamente il cibo.
	La temperatura non è impostata correttamente.	Vedere il capitolo "Pannello dei comandi".
	L'apparecchiatura è completamente carica ed è impostata sulla temperatura più bassa.	Impostare una temperatura superiore. Vedere il capitolo "Pannello dei comandi".

Problema	Causa possibile	Soluzione
	La temperatura impostata nell'apparecchiatura è troppo bassa e la temperatura ambiente è troppo alta.	Impostare una temperatura superiore. Vedere il capitolo "Pannello dei comandi".
Sulla piastra posteriore del frigorifero scorre l'acqua.	Durante lo sbrinamento automatico, la brina si scioglie sul pannello posteriore.	Ciò è corretto.
Si è condensata troppa acqua sulla parete posteriore del frigorifero.	La porta è stata aperta con eccessiva frequenza.	Aprire la porta solo se necessario.
	La porta non è stata chiusa completamente.	Controllare che la porta sia chiusa completamente.
	Il cibo conservato non è stato avvolto nell'apposito materiale.	Avvolgere gli alimenti in un imballaggio adeguato prima di riporli all'interno dell'apparecchiatura.
	È normale che durante l'estate e l'autunno si possa formare una quantità maggiore di condensa a causa dell'aumento dell'umidità dell'aria e degli alimenti. Il frigorifero non produce umidità. Dopo questo periodo l'umidità nel frigorifero diminuisce da sola.	In estate e in autunno impostare la temperatura più calda nel frigorifero (circa 6-7 °C).
Ci sono gocce d'acqua sui ripiani in vetro.	C'è troppa umidità all'interno del frigorifero.	Pulire i ripiani in vetro con un panno per rimuovere le gocce d'acqua.
Non è possibile impostare la temperatura.	Viene attivata la funzione Extra Freeze o la funzione Extra Cool.	Disattivare manualmente la funzione Extra Freeze o la funzione Extra Cool oppure aspettare finché la funzione si disattiva automaticamente. Vedere la sezione "funzione Extra Freeze" o "funzione Extra Cool".
La temperatura all'interno dell'apparecchiatura è troppo bassa/troppo alta.	La temperatura non è impostata correttamente.	Impostare una temperatura superiore/inferiore.
	La porta non è chiusa correttamente.	Fare riferimento alla sezione "Chiusura della porta".
	Il cibo è troppo caldo.	Lasciare raffreddare il cibo prima di riporlo.
	Troppo cibo viene conservato contemporaneamente.	Conservare meno alimenti contemporaneamente.
	La porta viene aperta frequentemente.	Aprire la porta solo se necessario.
	La funzione Extra Freeze è attiva.	Vedere la sezione "funzione Extra Freeze".
	La funzione Extra Cool è attiva.	Vedere la sezione "funzione Extra Cool".
	Nell'apparecchiatura non circola l'aria fredda.	Verificare la circolazione dell'aria fredda nell'apparecchiatura. Vedere il capitolo "Consigli e suggerimenti".



Nel caso in cui il problema persista, contattare il Centro di Assistenza Autorizzato.

8.2 Sostituzione della lampadina

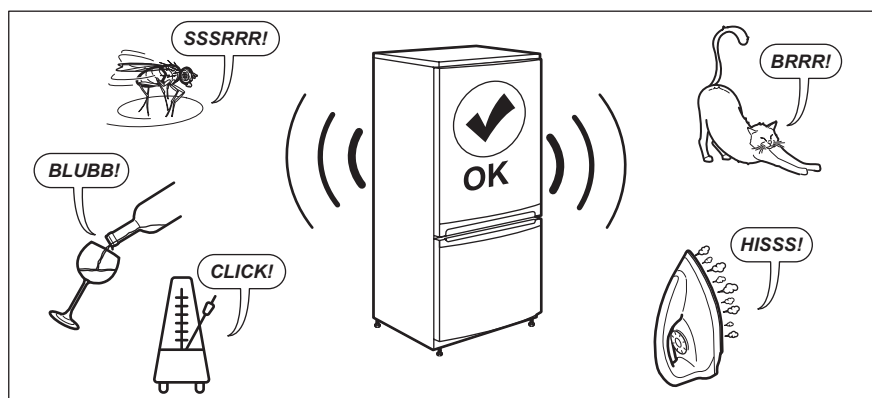
L'apparecchiatura è dotata di una lampadina interna a LED a lunga durata.

Solo l'assistenza tecnica può sostituire il dispositivo di illuminazione. Contattare il Centro Assistenza Autorizzato.

8.3 Chiusura della porta

1. Pulire le guarnizioni della porta.
2. Se necessario, regolare lo sportello. Vedere il capitolo "Installazione".
3. Se necessario, sostituire le guarnizioni difettose delle porte. Per ulteriori informazioni, contattare il Centro di Assistenza Autorizzato.

9. RUMORI



10. DATI TECNICI

I dati tecnici sono riportati sulla targhetta dei dati applicata sul lato esterno dell'apparecchiatura e sull'etichetta dei valori energetici.

Il codice QR sull'etichetta energetica fornita con l'apparecchiatura riporta un link web alle informazioni correlate al funzionamento di questa apparecchiatura nella banca dati EPREL dell'UE. Conservare l'etichetta energetica come riferimento insieme al manuale d'uso e a tutti gli altri documenti forniti con questa apparecchiatura.

È possibile trovare le stesse informazioni anche in EPREL utilizzando il link <https://eprel.ec.europa.eu> e il nome del modello e il numero di prodotto che si trovano sulla targhetta dell'apparecchiatura.


Per informazioni dettagliate sull'etichetta energetica, vedere il sito www.theenergylabel.eu.


11. INFORMAZIONI PER GLI ISTITUTI DI TEST

L'installazione e la preparazione dell'apparecchiatura per qualsiasi verifica di EcoDesign devono essere conformi a EN 62552 (EU). I requisiti di ventilazione, le dimensioni dell'incavo e le distanze minime dalla parte posteriore devono essere

conformi a quanto indicato nel presente manuale d'uso sotto "Installazione". Si prega di contattare il produttore per qualsiasi altra informazione, compresi i piani di carico.

12. CONSIDERAZIONI SULL'AMBIENTE

Riciclare i materiali con il simbolo . Buttare l'imballaggio negli appositi contenitori per il riciclaggio. Aiutare a proteggere l'ambiente e la salute umana e a riciclare rifiuti derivanti da apparecchiature elettriche ed elettroniche. Non smaltire le apparecchiature che riportano

il simbolo  insieme ai normali rifiuti domestici. Portare il prodotto al punto di riciclaggio più vicino o contattare il comune di residenza.

¡Le damos la bienvenida a Electrolux! Gracias por elegir nuestro aparato.



Obtener consejos, folletos, soluciones a problemas e información de servicio y reparación:
www.electrolux.com/support

Salvo modificaciones.

CONTENIDO

1. INFORMACIÓN SOBRE SEGURIDAD.....	94
2. INSTRUCCIONES DE SEGURIDAD.....	96
3. INSTALACIÓN.....	98
4. FUNCIONAMIENTO.....	101
5. USO DIARIO.....	104
6. CONSEJOS.....	109
7. CUIDADO Y LIMPIEZA.....	111
8. SOLUCIÓN DE PROBLEMAS.....	112
9. RUIDOS.....	115
10. DATOS TÉCNICOS.....	116
11. INFORMACIÓN PARA INSTITUTOS DE PRUEBAS.....	116
12. ASPECTOS MEDIOAMBIENTALES.....	116

1. ⚠ INFORMACIÓN SOBRE SEGURIDAD

Antes de instalar y utilizar el aparato, lea atentamente las instrucciones facilitadas. El fabricante no se hace responsable de lesiones o daños producidos como resultado de una instalación o un uso incorrectos. Conserve siempre estas instrucciones en lugar seguro y accesible para futuras consultas.

1.1 Seguridad de niños y personas vulnerables

- Este aparato puede ser utilizado por niños de 8 años en adelante y personas cuyas capacidades físicas, sensoriales o mentales estén disminuidas o que carezcan de la experiencia y conocimientos suficientes para manejarlo, siempre que cuenten con las instrucciones o la supervisión sobre el uso del electrodoméstico de forma segura y comprendan los riesgos. Los niños de 3 a 8 años y las personas con discapacidades muy extensas y complejas

pueden cargar y descargar el aparato siempre que hayan sido debidamente instruidos. Es necesario mantener alejados del aparato a los niños de menos de 3 años salvo que estén bajo supervisión continua.

- Es necesario vigilar a los niños para que no jueguen con el aparato.
- La limpieza y mantenimiento de usuario del producto no podrán ser realizados por niños sin supervisión.
- Mantenga todo el material de embalaje fuera del alcance de los niños y deséchelo de forma adecuada.

1.2 Instrucciones generales de seguridad

- Este aparato está diseñado únicamente para almacenar alimentos y bebidas.
- Este aparato está diseñado para uso doméstico en interiores.
- Este aparato se puede utilizar en oficinas, habitaciones de hotel, habitaciones de Bed&Breakfast, casas de campo y otros alojamientos similares donde dicho uso no exceda (en promedio) los niveles de uso doméstico.
- Para evitar la contaminación alimentaria, respete las siguientes instrucciones:
 - no abra la puerta durante largos periodos de tiempo;
 - limpie regularmente las superficies que pueden entrar en contacto con los alimentos y los sistemas de drenaje accesibles;
 - guarde la carne y el pescado crudos en recipientes adecuados en el frigorífico, de manera que no estén en contacto con otros alimentos ni goteen sobre ellos.
- **ADVERTENCIA:** Mantenga libres de obstrucciones las aberturas de ventilación del alojamiento del aparato o de la estructura empotrada.
- **ADVERTENCIA:** No utilice dispositivos mecánicos u otros medios para acelerar el proceso de descongelación, excepto los recomendados por el fabricante.
- **ADVERTENCIA:** No dañe el circuito de refrigerante.

- **ADVERTENCIA:** No utilice aparatos eléctricos dentro de los compartimentos de almacenamiento de alimentos del aparato, a menos que sean del tipo recomendado por el fabricante.
- No utilice agua pulverizada ni vapor para limpiar el aparato.
- Limpie el aparato con un paño suave humedecido. Utilice solo detergentes neutros. No utilice productos abrasivos, estropajos duros, disolventes ni objetos de metal.
- Cuando el aparato esté vacío durante un largo período, apáguelo, descongélelo, límpielo, séquelo y deje la puerta abierta para evitar que se desarrolle moho en el interior del aparato.
- No almacene sustancias explosivas tales como latas de aerosol con un propulsor inflamable en este aparato.
- Si el cable de alimentación sufre algún daño, el fabricante, su servicio técnico autorizado o un profesional tendrán que cambiarlo para evitar riesgos.

2. INSTRUCCIONES DE SEGURIDAD

2.1 Instalación

ADVERTENCIA!

Solo un técnico cualificado puede instalar el aparato.

- Retire todo el embalaje.
- No instale ni utilice un aparato dañado.
- Siga las instrucciones de instalación suministradas con el aparato.
- Tenga cuidado al mover el aparato, porque es pesado. Utilice siempre guantes de protección y calzado cerrado.
- Asegúrese de que el aire pueda circular alrededor del aparato.
- En la primera instalación otras invertir el sentido de apertura de la puerta, espere al menos 4 horas antes de conectar el aparato a la alimentación eléctrica. Esto es para permitir que el aceite regrese al compresor.
- Desenchufe siempre el aparato antes de llevar a cabo cualquier operación, por

ejemplo cambiar el sentido de apertura de la puerta.

- No instale el aparato cerca de radiadores, cocinas, hornos o placas de cocción, a menos que se especifique lo contrario en las instrucciones de instalación.
- No exponga el aparato a la lluvia.
- No instale el aparato en lugares con luz solar directa.
- No instale este aparato en áreas excesivamente húmedas o frías.
- Cuando mueva el aparato, levántelo por el borde delantero para evitar rayar el suelo.

2.2 Conexión eléctrica

ADVERTENCIA!

Riesgo de incendios y descargas eléctricas.

⚠ ADVERTENCIA!

Al colocar el producto, asegúrese de que el cable de alimentación no queda atrapado o doblado.

⚠ ADVERTENCIA!

No utilice adaptadores múltiples ni cables prolongadores.

- El aparato debe conectarse a tierra.
- Asegúrese de que los parámetros de la placa de características son compatibles con los valores eléctricos del suministro eléctrico.
- Utilice siempre una toma con aislamiento de conexión a tierra correctamente instalada.
- Asegúrese de no provocar daños en los componentes eléctricos (p. ej., enchufe, cable de alimentación, compresor). Póngase en contacto con el Centro de servicio autorizado o un electricista para cambiar los componentes eléctricos.
- El cable de alimentación debe permanecer por debajo del nivel del enchufe.
- Conecte el enchufe a la toma de corriente únicamente cuando haya terminado la instalación. Asegúrese de tener acceso al enchufe del suministro de red una vez finalizada la instalación.
- No desconecte el aparato tirando del cable de conexión a la red. Tire siempre del enchufe.

2.3 Uso

⚠ ADVERTENCIA!

Existe riesgo de lesiones, quemaduras, descargas eléctricas o incendios.



El aparato contiene un gas inflamable, isobutano (R600a), un gas natural con alto grado de compatibilidad medioambiental. Tenga cuidado para no dañar el circuito de refrigerante que contiene isobutano.

- No cambie las especificaciones de este aparato.
- No utilice otros aparatos eléctricos (como máquinas de hacer helados) dentro de

aparatos de refrigeración, salvo que el fabricante haya autorizado su utilización.

- Si se daña el circuito de refrigerante, asegúrese de que no haya llamas ni fuentes de ignición en la sala. Ventile la sala.
- No deje que los objetos calientes toquen las partes de plástico del aparato.
- No coloque refrescos en el congelador. De esta forma se creará presión en el contenedor de bebidas.
- No almacene gases ni líquidos inflamables en el aparato.
- No coloque productos inflamables o artículos mojados con productos inflamables dentro, cerca o sobre el aparato.
- No toque el compresor ni el condensador. Están calientes.
- No retire ni toque elementos del compartimento del congelador si sus manos están mojadas o húmedas.
- No vuelva a congelar los alimentos que se hayan descongelado.
- Siga las instrucciones del envase de los alimentos congelados.
- Envuelva los alimentos en cualquier material adecuado antes de ponerlos en el congelador.
- No permita que los alimentos entren en contacto con las paredes interiores de los compartimentos del aparato.

2.4 Iluminación interna

⚠ ADVERTENCIA!

Riesgo de descarga eléctrica.

- Este producto contiene una o más fuentes de luz con clase de eficiencia energética F.
- En cuanto a la(s) bombilla(s) de este producto y las de repuesto vendidas por separado: Estas bombillas están destinadas a soportar condiciones físicas extremas en los aparatos domésticos, como la temperatura, la vibración, la humedad, o están destinadas a señalar información sobre el estado de funcionamiento del aparato. No están destinadas a utilizarse en otras aplicaciones y no son adecuadas para la iluminación de estancias domésticas.

2.5 Mantenimiento y limpieza

ADVERTENCIA!

Podría sufrir lesiones o dañar el aparato.

- Antes de proceder con el mantenimiento, apague el aparato y desconecte el enchufe de la red.
- Este aparato contiene hidrocarburos en la unidad de refrigeración. Solo una persona cualificada debe realizar el mantenimiento y la recarga de la unidad.

2.6 Asistencia técnica

- Para reparar el aparato, póngase en contacto con el centro de servicio autorizado. Utiliza solamente piezas de repuesto originales.
- Tenga en cuenta que la autorreparación o la reparación no profesional puede tener consecuencias de seguridad y podría anular la garantía.
- Los siguientes repuestos están disponibles al menos durante 7 años después de que el modelo se haya retirado del mercado: termostatos, sensores de temperatura, placas de circuito impreso, fuentes de luz, manijas de puertas, bisagras de puertas, bandejas y cestas. Las juntas de las puertas están disponibles al menos durante 10 años tras

la retirada del modelo. La duración puede ser mayor en su país. Visite nuestro sitio web para obtener más información.

- Tenga en cuenta que algunas de estas piezas de recambio solo están disponibles para los reparadores profesionales, y que no todas las piezas de recambio son relevantes para todos los modelos.

2.7 Desecho

ADVERTENCIA!

Existe riesgo de lesiones o asfixia.

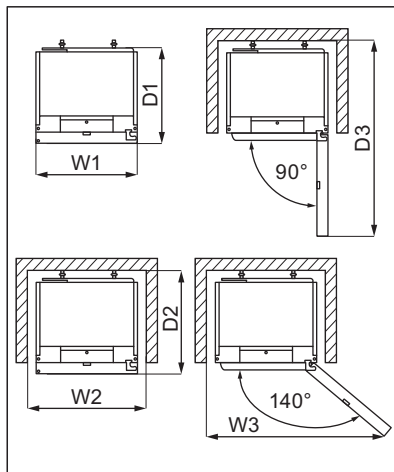
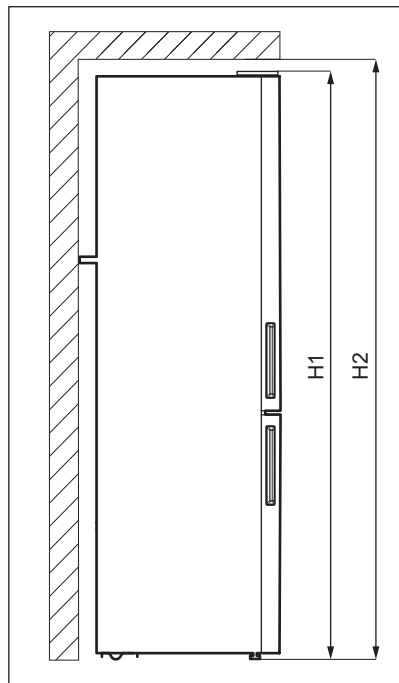
- Desconecte el aparato de la red.
- Corte el cable de conexión a la red y deséchelo.
- Retire la puerta para evitar que los niños y las mascotas queden encerrados en el aparato.
- El circuito del refrigerante y los materiales aislantes de este aparato no dañan la capa de ozono.
- La espuma aislante contiene gas inflamable. Póngase en contacto con las autoridades locales para saber cómo desechar correctamente el aparato.
- No dañe la parte de la unidad de refrigeración que está cerca del intercambiador de calor.

3. INSTALACIÓN

ADVERTENCIA!

Consulte los capítulos sobre seguridad.

3.1 Dimensiones



Dimensiones generales ¹

H1	mm	1870
W1	mm	595
D1	mm	639

¹ la altura, anchura y profundidad del aparato sin el asa

Espacio necesario en uso ²

H2	mm	1900
W2	mm	600
D2	mm	700

² la altura, anchura y profundidad del aparato, incluyendo la manija, más el espacio necesario para la libre circulación del aire de refrigeración

Espacio total necesario en uso ³

H2	mm	1900
W3	mm	1031
D3	mm	1256

³ la altura, anchura y profundidad del aparato, incluido el mango, más el espacio necesario para la libre circulación del aire de refrigeración, más el espacio necesario para permitir la apertura de la puerta hasta el ángulo mínimo que permita la extracción de todo el equipo interno

3.2 Ubicación

Este aparato no está diseñado para utilizarse empotrado.

En el caso de una instalación diferente de la autónoma respetando el espacio requerido en las dimensiones de uso, el aparato

funcionará correctamente pero el consumo de energía podría aumentar ligeramente.

Para garantizar el mejor funcionamiento del aparato, no debe instalarse en un lugar con luz solar directa. No instale el aparato cerca de fuentes de calor (hornos, estufas, radiadores, cocinas, campanas, placas de cocción o placas con extractor) a menos que se especifique lo contrario en las instrucciones de instalación. Asegúrese de que el aire pueda circular libremente alrededor de la parte posterior del armario.

Este aparato debe instalarse en una ubicación interior seca y bien ventilada.

Para garantizar el mejor rendimiento, si el aparato se coloca debajo de un mueble de cocina colgado en la pared, mantenga la distancia mínima entre la parte superior y el mueble. Sin embargo, lo ideal sería que el aparato no se coloque debajo de los muebles de pared. Una o más patas ajustables en la base del armario garantizan que el aparato se mantiene nivelado.

PRECAUCIÓN!

Se coloca el aparato contra un muro, utilice los separadores traseros suministrados o mantenga la distancia mínima indicada en las instrucciones de instalación.

PRECAUCIÓN!

Se instala el aparato junto muro, consulte las instrucciones de instalación para conocer la distancia mínima entre el muro y el lado del aparato donde se encuentran las bisagras de la puerta para dejar espacio suficiente para abrir la puerta al retirar los equipos internos (por ejemplo, limpiar).

Este aparato está diseñado para utilizarse en un margen de temperatura ambiente de 10°C a 43°C.



Solo se puede garantizar el correcto funcionamiento del aparato dentro del rango de temperatura especificado.



Si tiene cualquier duda respecto al lugar de instalación del aparato, consulte al vendedor, a nuestro servicio de atención al cliente o al centro de servicio autorizado más cercano.



Puede que en algún momento sea necesario desconectar el aparato de la toma de corriente. Por lo que el enchufe debe quedar accesible tras la instalación del aparato.

3.3 Conexión eléctrica

- Antes de enchufarlo, asegúrese de que la tensión y la frecuencia indicadas en la placa de características se correspondan con la fuente de alimentación doméstica.
- El aparato debe estar conectado a tierra. El enchufe del cable de alimentación se suministra con un contacto para este fin. Si la toma de corriente doméstica no está conectada a tierra, conecte el aparato a una toma de tierra independiente de acuerdo con la normativa vigente, con el asesoramiento de un electricista cualificado.
- El fabricante declina toda responsabilidad si no se respetan las precauciones de seguridad anteriores.

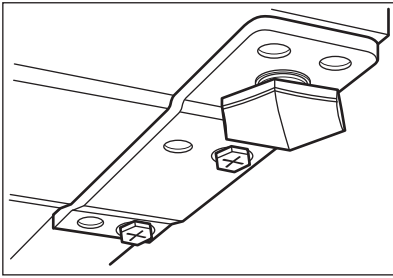
3.4 Nivelado



La alineación de las puertas depende del correcto nivelado.

Se recomienda vaciar el aparato antes de realizar esta operación.

Al colocar el aparato, asegúrese de que quede nivelado. Esto se puede conseguir con dos patas ajustables en la parte inferior delantera.



3.5 Espaciadores traseros



Consulte el documento separado con instrucciones de instalación y de inversión de la puerta.



PRECAUCIÓN!

Si coloca el aparato contra la pared en una instalación independiente, instale los separadores traseros para garantizar la distancia mínima necesaria para la circulación del aire. Utilice los separadores traseros suministrados tal y como se indica en las instrucciones de instalación.

3.6 Cambio del sentido de apertura de la puerta

Consulte el documento separado con instrucciones de instalación y de inversión de la puerta.

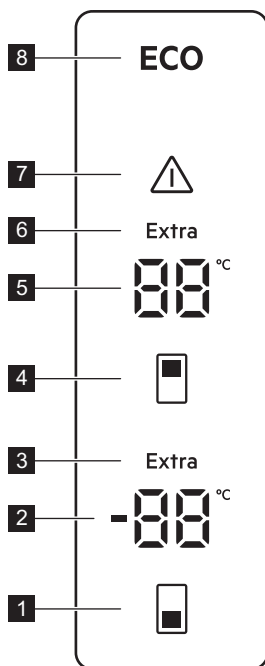


PRECAUCIÓN!

En todas las fases del cambio de sentido de la puerta, proteja la puerta de arañazos con un material resistente.

4. FUNCIONAMIENTO


4.1 Panel de control



- 1 Botón de temperatura del congelador
- 2 Indicador del compartimento congelador
- 3 Indicador Extra Freeze
- 4 Botón de temperatura del frigorífico
- 5 Indicador del compartimento frigorífico
- 6 Indicador Extra Cool
- 7 Indicador de alarma
- 8 Indicador ECOMETER


4.2 Encendido


1. Enchufe el aparato a la toma de corriente.
2. Mantenga pulsados los botones de temperatura del congelador y temperatura del frigorífico durante 10 segundos.

La pantalla muestra una indicación  intermitente.

4.3 Apagado

1. Mantenga pulsados los botones de temperatura del congelador y temperatura del frigorífico durante 10 segundos.

En la pantalla aparece el indicador  parpadeando.

2. El aparato se apaga y una indicación  fija sustituye a la temperatura del frigorífico. Desconecte el enchufe de la toma de corriente.

4.4 Regulación de temperatura

Ajuste la temperatura del aparato pulsando los botones de temperatura. Las temperaturas de ajuste recomendadas son:

- +4°C para el frigorífico
- -18°C para el congelador

El rango de temperatura puede variar entre -15 y -24°C para el congelador y entre 2 y 8°C para el frigorífico.



Los indicadores de temperatura muestran la temperatura programada. La temperatura programada se alcanza en un plazo de 24 horas. Después de un corte del suministro eléctrico, la temperatura ajustada permanece almacenada.



La luz LED ECO se enciende cuando se ajusta la temperatura o el nivel recomendados.



Desconecte la función Extra Freeze antes de ajustar otro nivel de temperatura del congelador.

4.5 ECO función

La función ECO garantiza el consumo mínimo de energía con la temperatura óptima para la conservación de los alimentos.

Durante este modo:

- La temperatura ajustada del compartimento frigorífico es de 4°C.
- La temperatura ajustada del compartimento congelador es de -18 °C.

Para desactivar la función ECO:

- ajuste otra temperatura. Consulte "Regulación de temperatura".
- activar las funciones Extra Cool y Extra Freeze.

4.6 Extra Cool función

Si necesita introducir en el compartimento frigorífico una gran cantidad de alimentos a temperatura ambiente, por ejemplo, después de haber hecho la compra, active la función Extra Cool. Esta función acelera el enfriamiento y evita que los alimentos almacenados se calienten.

Para activar la función, mantenga pulsado el botón Temperatura del frigorífico hasta que el indicador Extra Cool se ilumine.

La función se detiene automáticamente después de unas 6 horas.

Para desactivar la función Extra Cool antes de su finalización automática, mantenga pulsado el botón de temperatura del frigorífico hasta que el indicador Extra Cool se apague.

Para ajustar otra temperatura del frigorífico, desactive la función Extra Cool. Consulte la sección "Regulación de temperatura".

4.7 Extra Freeze función

La función Extra Freeze realiza primero una congelación previa y después una congelación rápida en el compartimento congelador. Esta función acelera la congelación de alimentos frescos e impide que se calienten los alimentos ya almacenados.



Para congelar alimentos frescos, active la función Extra Freeze al menos 4 horas antes de colocar los alimentos para completar la pre congelación.

Para activar la función Extra Freeze, presione y mantenga presionado el botón de temperatura del congelador hasta que el indicador Extra Freeze se encienda.

Esta función se detiene automáticamente después de 24 horas.

Para desactivar la función Extra Freeze antes de su finalización automática, mantenga pulsado el botón Temperatura del congelador hasta que el indicador Extra Freeze se apague.

4.8 Alarma de puerta abierta

La alarma se activa si la puerta del frigorífico o del congelador se deja abierta unos 5 minutos. Durante la alarma:

- el sonido está activado,
- los indicadores de temperatura parpadean,
- el indicador de alarma de la parpadea.

La luz interior del frigorífico puede estar parpadeando.

La alarma se detiene después de cerrar la puerta.

Puede desactivar la alarma pulsando cualquier botón.



El sonido se apaga automáticamente al cabo de 1 hora.

4.9 Alarma de temperatura alta



La alarma suena al enchufar el aparato por primera vez.

Compartimento congelador

La alarma se activa cuando la temperatura del compartimento del congelador es demasiado alta.

Durante la alarma:

- la pantalla muestra **E09** parpadeando,
- el indicador de alarma parpadea
- el sonido de la alarma está activado.

Apagado de la alarma



- Pulse cualquier botón del panel de control para apagar la alarma. El indicador de alarma y el sonido se apagan. La pantalla muestra **E09** durante 5 segundos y luego se muestra la temperatura actual del congelador.



- El sonido de la alarma se apaga automáticamente al cabo de 1 hora. Si la temperatura sigue siendo demasiado alta, la alarma se vuelve a activar.
- Una vez la temperatura recupera el valor programado, la alarma se apaga y se restablece la pantalla normal.

4.10 Modo Rest

El modo Rest garantiza la óptima conservación de los alimentos, minimizando el consumo de energía durante los períodos de inactividad.

Para activar el modo Rest, presione y mantenga presionado el botón de temperatura del congelador durante 5 segundos. La pantalla muestra:

-  en el indicador de temperatura del congelador,
-  en el indicador de temperatura del frigorífico.

Pulse el botón de temperatura del congelador para activar o desactivar el modo Rest. El indicador de temperatura del congelador cambia a  con el modo  activado o a Rest si este está desactivado.

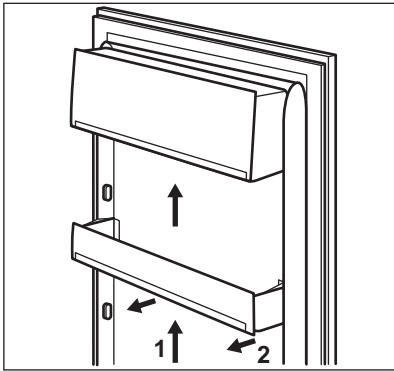
El modo Rest se activa después de 3 días sin interactuar con el aparato. El modo Rest se desactiva automáticamente después de cualquier interacción con el aparato.

5. USO DIARIO

5.1 Colocación de los estantes de la puerta

Para permitir el almacenamiento de paquetes de alimentos de varios tamaños, los estantes de las puertas se pueden colocar a diferentes alturas.

1. Tire gradualmente del estante hacia arriba hasta que se suelte.
2. Reposición según sea necesario.



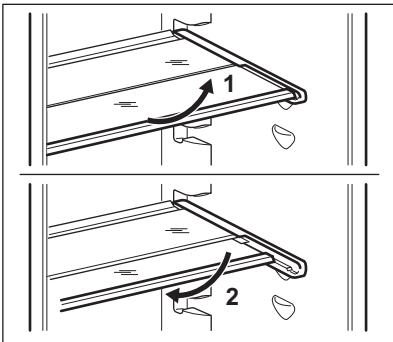
5.2 Estantes móviles

Las paredes del frigorífico cuentan con una serie de guías para colocar los estantes del modo que se prefiera.

Este aparato también está equipado con un estante que consta de dos partes. La mitad delantera del estante puede colocarse bajo la segunda mitad para aprovechar mejor el espacio.

Para plegar el estante:

1. Saque la mitad delantera con cuidado.
2. Deslícela en la guía inferior bajo la segunda mitad.



No coloque el estante de vidrio por encima del cajón de verduras para no impedir la correcta circulación del aire.

5.3 Compartimento GreenZone

Hay un cajón extraíble en la parte inferior del compartimento frigorífico.

El estante de vidrio de GreenZone incorpora un dispositivo que regula su sellado y proporciona una humedad óptima dentro del cajón.

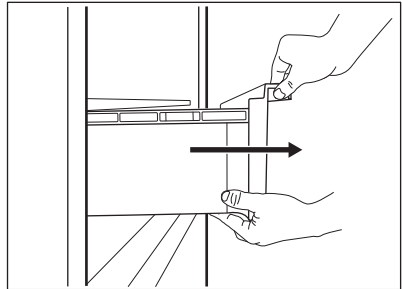
5.4 Extracción del cajón GreenZone



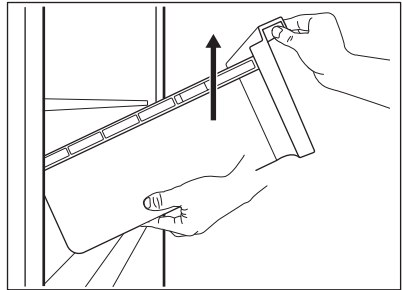
Se recomienda vaciar el cajón antes de sacarlo del frigorífico.

Para retirar el cajón:

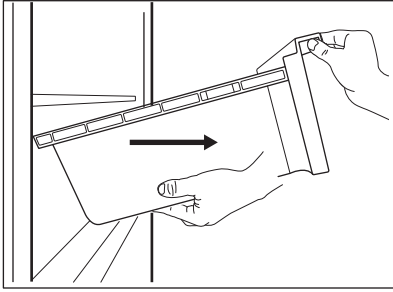
1. Saque el cajón del frigorífico.



2. Levante la parte delantera del cajón.

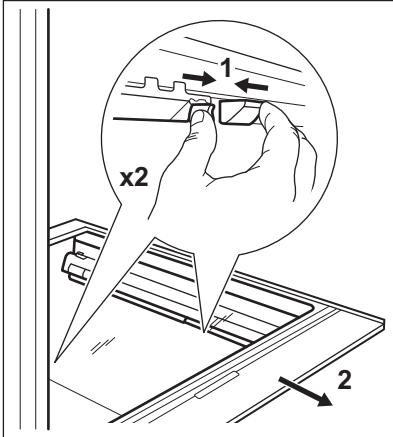


3. Saque el cajón mientras lo levanta.

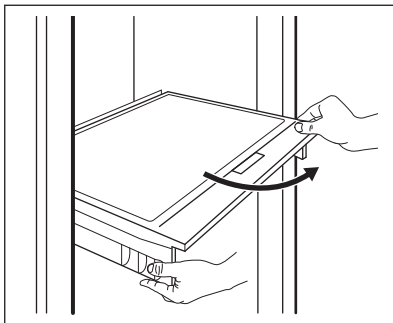


Para retirar la cubierta de vidrio del cajón GreenZone:

1. Desbloquee el agarre lateral desde ambos lados simultáneamente.



2. Tire del soporte del estante de cristal hacia usted.

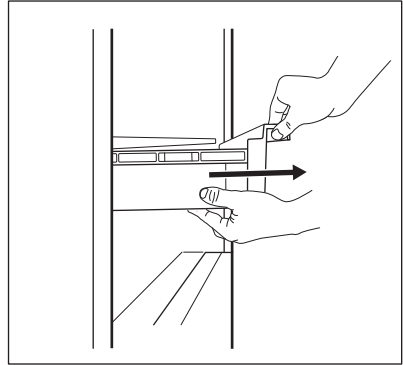


5.5 Extracción de ExtraChill

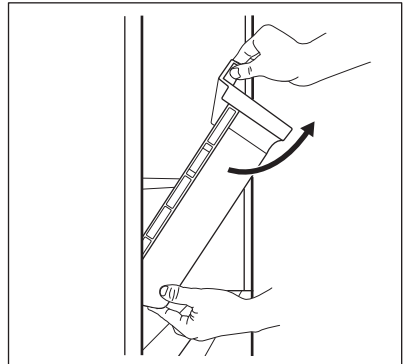
Hay un cajón encima del cajón GreenZone.

Para retirar el cajón:

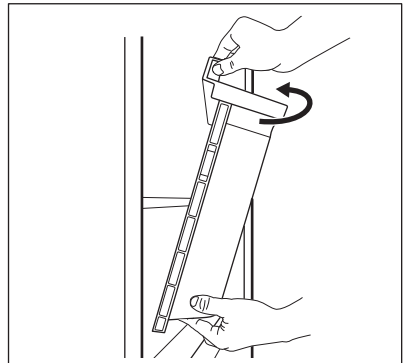
1. Saque el cajón del frigorífico.



2. Levante la parte delantera del cajón.



3. Levante y gire el cajón para sacarlo del aparato.



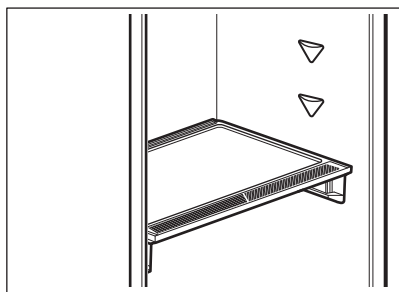
El estante situado encima del cajón puede extraerse del aparato solo para limpiarlo.

5.6 Control de humedad

El estante de vidrio del cajón GreenZone incorpora un dispositivo que regula su cierre hermético y proporciona una humedad óptima en su interior.

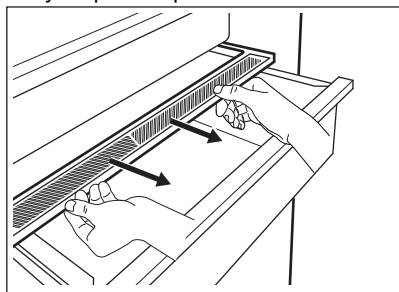


No coloques ningún producto alimenticio en el dispositivo de control de humedad.

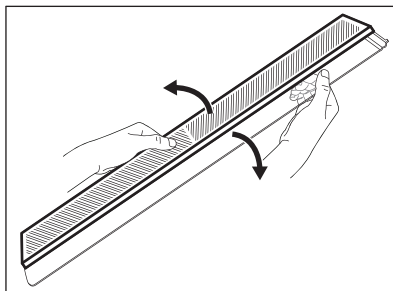


Para retirar el dispositivo de control de humedad:

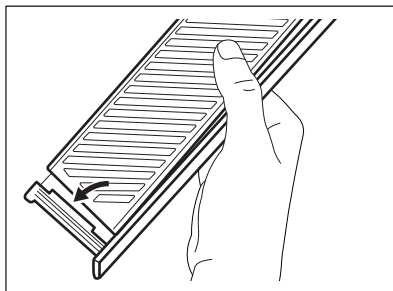
1. Abra el cajón debajo del estante de vidrio y saque la tapa.



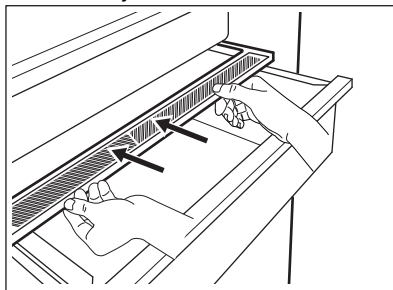
2. Si necesita sustituir la membrana blanca del dispositivo, sujete el dispositivo por la parte central y separe la membrana de la tapa tirando de ella.



3. Coloque una nueva membrana en la tapa presionando el borde de la membrana sobre ella.



4. Vuelva a montar el control de humedad en el cajón.



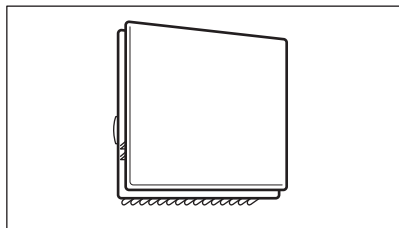
Dependiendo de la cantidad y el estado de las frutas y verduras almacenadas en el cajón GreenZone, puede producirse condensación. En tal caso, elimine la condensación con un paño suave.

5.7 MULTIFLOW

El compartimento frigorífico está equipado con un dispositivo MULTIFLOW que permite

enfriar los alimentos de forma más rápida y eficaz, manteniendo asimismo una temperatura más uniforme en cada parte del compartimento frigorífico.

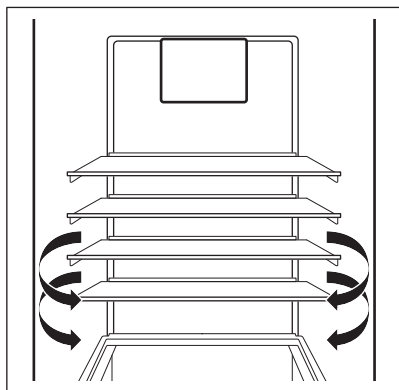
Este dispositivo se activa automáticamente cuando es necesario.



MULTIFLOW solo funciona con la puerta cerrada.



No bloquee los orificios de ventilación para permitir una mejor refrigeración.



No retire el panel MULTIFLOW.
No utilice agua pulverizada ni vapor para limpiar el aparato. Para conocer las instrucciones de limpieza, consulte el capítulo "Cuidado y limpieza".

5.8 Congelación de alimentos frescos

El compartimento del congelador es adecuado para congelar alimentos frescos y

conservar a largo plazo los alimentos congelados y ultracongelados.

Para congelar alimentos frescos, active la función Extra Freeze al menos 4 horas antes de introducir los alimentos en el compartimento congelador.

Guarde los alimentos frescos distribuidos uniformemente en el primer compartimento o cajón desde la parte superior.

La cantidad máxima de alimentos que pueden congelarse sin añadir otros alimentos frescos durante 24 horas, se indica en la placa de datos técnicos (una etiqueta situada en el interior del aparato).

Cuando haya finalizado el proceso de congelación, el aparato vuelve al ajuste de temperatura anterior. Consulte "Función Extra Freeze".

Para obtener más información, consulte la sección "Sugerencias para congelar".

5.9 Almacenamiento de alimentos congelados

Al activar un aparato por primera vez o después de un periodo sin uso, déjelo en marcha al menos durante 3 horas antes de colocar productos en el compartimento con la función Extra Freeze encendida.

Los cajones del congelador le aseguran una búsqueda rápida y fácil de los alimentos que desea encontrar. Si se va a guardar una gran cantidad de alimentos, retire todos los cajones y coloque la comida en estantes. Deje el cajón inferior en su lugar para garantizar una buena circulación del aire.

Todos los alimentos de los estantes deben estar como mínimo a 15 mm de la puerta.

PRECAUCIÓN!

En caso de que se produzca una descongelación accidental, por ejemplo, por un corte del suministro eléctrico, si la interrupción ha sido más prolongada que el valor indicado en la placa de características bajo el "tiempo de elevación", los alimentos descongelados se deben consumir rápidamente o cocinar de inmediato y luego volverse a congelar. Consulte "Alarma de temperatura alta".

5.10 Descongelación

Los alimentos ultracongelados o congelados, antes de utilizarlos, se pueden descongelar en el compartimento del frigorífico o a temperatura ambiente, dependiendo del tiempo de que se disponga.

Es posible incluso cocinar trozos pequeños congelados, directamente desde el congelador, en este caso, la cocción tardará más en cocinarse.

5.11 Producción de cubitos de hielo

Este aparato cuenta con una o varias bandejas para la producción de cubitos de hielo.



No utilice instrumentos metálicos para retirar las bandejas del congelador.

1. Rellene estas bandejas con agua.
2. Ponga las bandejas de hielo en el compartimento del congelador.

6. CONSEJOS

6.1 Consejos para ahorrar energía

- Congelador: La configuración interna del aparato es la que garantiza el uso más eficiente de la energía.
- Frigorífico: Se garantiza el consumo más eficiente de energía en la configuración con los cajones en la parte inferior del aparato y los estantes distribuidos uniformemente. La posición de los contenedores de la puerta no afecta al consumo de energía.
- No abra la puerta con frecuencia ni la deje abierta más tiempo del necesario.
- Congelador: Cuanto más frío sea el ajuste de la temperatura, mayor será el consumo de energía.
- Frigorífico: No fije una temperatura demasiado alta para ahorrar energía, a menos que lo requieran las características del alimento.
- Si la temperatura ambiente es elevada y el control de temperatura se ajusta a baja temperatura y el aparato está totalmente cargado, el compresor puede funcionar de manera continua, provocando la formación de escarcha o hielo en el evaporador. En tal caso, ajuste el control de temperatura hacia una temperatura

más elevada para permitir la descongelación automática y ahorrar energía.


- Asegure una buena ventilación. No cubra las rejillas o los orificios de ventilación.
- Asegúrese de que los productos alimenticios dentro del aparato permitan la circulación de aire a través de los orificios dedicados al efecto en el interior trasero del aparato.

6.2 Consejos sobre la congelación

- Active la función Extra Freeze al menos 4 horas antes de colocar los alimentos en dentro del congelador.
- Antes de congelar, envuelva y selle los alimentos frescos en: papel de aluminio, film o bolsas de plástico, envases herméticos con tapa.
- Para congelar y descongelar con más eficacia, divida la comida en porciones pequeñas.
- Se recomienda poner etiquetas y fechas en todos sus alimentos congelados. Esto ayudará a identificar los alimentos y a saber cuándo deben utilizarse antes de su deterioro.

- Los alimentos deben ser frescos al congelarlos para preservar la buena calidad. Especialmente las frutas y verduras deben ser congeladas después de cosecharlos para preservar todos sus nutrientes.
- No congele las botellas o latas con líquidos, en particular las bebidas que contienen dióxido de carbono, ya que pueden explotar durante la congelación.
- No coloque alimentos calientes en el compartimiento del congelador. Enfríelos a temperatura ambiente antes de colocarlos dentro del compartimiento.
- Para evitar aumentos en la temperatura de comida ya congelada, no coloque comida no congelada justo al lado. Coloque los alimentos a temperatura ambiente en la parte del compartimiento del congelador donde no hay alimentos congelados.
- No coma cubitos de hielo, sorbetes o helados inmediatamente después de sacarlos del congelador. Existe riesgo de quemaduras.
- No vuelva a congelar los alimentos descongelados. Si la comida se ha descongelado, cocínela, enfríela y luego congélela.

6.3 Consejos para el almacenamiento de alimentos congelados

- El compartimento congelador es el marcado con .
- Una temperatura más alta en el interior del aparato puede reducir la vida útil.
- Todo el compartimento congelador es adecuado para el almacenamiento de alimentos congelados.
- Deje suficiente espacio alrededor de los alimentos para permitir que el aire circule libremente.
- Para un almacenamiento adecuado, consulte la etiqueta de los envases de los alimentos para ver su vida útil.
- Es importante envolver los alimentos de tal manera que se evite que el agua, la humedad o la condensación entren en su interior.

6.4 Consejos de compra

Después de la compra:

- Asegúrese de que el envase no esté dañado - los alimentos podrían estar deteriorados. Si el paquete está hinchado o mojado, es posible que no se haya almacenado en condiciones óptimas y que la descongelación ya haya comenzado.
- Para limitar el proceso de descongelación, compre los productos congelados al final de su compra en el supermercado y transpórtelos en una bolsa térmica y aislada.
- Ponga los alimentos congelados inmediatamente en el congelador después de volver de la tienda.
- Si la comida se ha descongelado aunque sea parcialmente, no la vuelva a congelar. Se debe consumir lo antes posible.
- Respete la fecha de caducidad y la información de almacenamiento del paquete.

6.5 Vida útil en el congelador


Tipo de alimento	Vida útil (meses)
Pan	3
Frutas (excepto cítricos)	6 - 12
Verduras	8 - 10
Sobras sin carne	1 - 2
Lácteos:	
Mantequilla	6 - 9
Queso blando (p. ej. mozzarella)	3 - 4
Queso duro (p. ej. parmesano, cheddar)	6
Marisco:	
Pescado graso (p. ej. salmón, caballa)	2 - 3
Pescado magro (p. ej. bacalao, platija)	4 - 6
Langostinos	12
Almejas y mejillones desconchados	3 - 4
Pescado cocinado	1 - 2
Carne:	

Tipo de alimento	Vida útil (meses)
Aves	9 - 12
Vacuno	6 - 12
Cerdo	4 - 6
Cordero	6 - 9
Salchichas	1 - 2
Jamón	1 - 2
Sobras con carne	2 - 3

6.6 Consejos para refrigeración de alimentos frescos

- Un buen ajuste de temperatura que asegure la conservación de los alimentos frescos es una temperatura menor o igual a +4°C. Una temperatura más alta en el interior del aparato puede reducir la vida útil de los alimentos.
- Cubra el alimento con el envase para preservar su frescura y aroma.
- Utilice siempre recipientes cerrados para líquidos y para alimentos, para evitar sabores u olores en el compartimento.
- Para evitar la contaminación cruzada entre alimentos cocidos y crudos, cubra la comida cocinada y sepárela de la cruda.
- Se recomienda descongelar los alimentos dentro de la nevera.
- No coloque alimentos calientes dentro del aparato. Asegúrese de que se hayan enfriado a temperatura ambiente antes de introducirlos.
- Para evitar el desperdicio de alimentos, los alimentos más recientes deben colocarse siempre detrás de los viejos.

6.7 Consejos para la refrigeración de alimentos

- El compartimento de alimentos frescos es el marcado (en la placa de características) con .
- Carne (cualquier variedad): guárdela en un envoltorio adecuado y colóquela en el estante de vidrio, sobre el cajón de las verduras. Conserve la carne un máximo de 1-2 días.
- Frutas y verduras: límpielas a fondo (elimine la suciedad) y colóquelas en un cajón especial (cajón para verduras).
- Es aconsejable no guardar en el frigorífico las frutas exóticas como plátanos, mangos, papayas, etc.
- Las verduras como tomates, patatas, cebollas y ajos no deben guardarse en el frigorífico.
- Queso y mantequilla: colóquelo en un recipiente hermético, o envuélvalo en papel de aluminio o en bolsas de polietileno para eliminar todo el aire posible.
- Botellas: ciérrelas con un tapón y colóquelas en el estante para botellas de la puerta o en el botellero (si dispone de él).
- Consulte siempre la fecha de caducidad de los productos para saber cuánto tiempo debe conservarlos.

7. CUIDADO Y LIMPIEZA

ADVERTENCIA!

Consulte los capítulos sobre seguridad.

7.1 Advertencias generales

PRECAUCIÓN!

Antes de realizar tareas de mantenimiento, desenchufe el aparato

i

Este aparato contiene hidrocarburos en la unidad de refrigeración por lo que cualquier tarea de mantenimiento o recarga debe ser realizada por personal técnico homologado.

i

Los accesorios y las piezas del aparato no deben lavarse en el lavavajillas.

7.2 Limpieza del interior

Antes de utilizar el aparato por primera vez, lave el interior y todos los accesorios internos con agua templada y un detergente neutro para eliminar el típico olor de un producto nuevo y a continuación seque bien.

PRECAUCIÓN!

No utilice detergentes, polvos abrasivos ni limpiadores a base de cloro o aceite, ya que podrían dañar el acabado.

PRECAUCIÓN!

Los accesorios y las piezas del aparato no deben lavarse en lavavajillas.

PRECAUCIÓN!

Limpie el panel de control con un paño húmedo. No utilice ningún detergente. Después de limpiar, seque el panel de control con un paño suave.

7.3 Limpieza periódica

PRECAUCIÓN!

No mueva, dañe ni tire de los conductos o cables del interior del aparato.

PRECAUCIÓN!

No dañe el sistema de refrigeración.

PRECAUCIÓN!

Al mover el mueble, levántelo por el borde delantero para evitar rayar el suelo.

Limpie el equipo con regularidad:

1. Limpie el interior y los accesorios con agua tibia y detergente neutro.
2. Revise y limpie periódicamente las juntas de la puerta para mantenerlas limpias y sin restos.
3. Enjuague y seque bien.

El estante inferior, que separa el compartimento de enfriamiento del resto del gabinete, se puede quitar sólo para su limpieza. Tire del estante en línea recta para extraerlo. Las placas de cubierta situadas sobre los cajones del compartimento pueden extraerse para su limpieza.

7.4 Descongelación del congelador

El congelador no forma escarcha. Esto significa que, durante el funcionamiento, no se forma escarcha ni en las paredes internas del aparato ni sobre los alimentos.

7.5 Descongelación del frigorífico

La descongelación del compartimento frigorífico es automática. El agua que se condensa fluye a un recipiente del compresor y se evapora. El recipiente no puede retirarse.

7.6 Periodos sin funcionamiento

Si el aparato no se utiliza durante un tiempo prolongado, toma las siguientes precauciones:

1. Desconecte el aparato del suministro eléctrico.
2. Retire todos los alimentos.
3. Limpie el aparato y todos los accesorios.
4. Deje las puertas abiertas para evitar olores desagradables.

8. SOLUCIÓN DE PROBLEMAS

ADVERTENCIA!

Consulte los capítulos sobre seguridad.

8.1 Qué hacer si...

Problema	Posible causa	Solución
El aparato no funciona.	El aparato está apagado.	Encienda el aparato.
	El enchufe no está bien conectado a la toma de corriente.	Conecte el aparato a la toma de corriente correctamente.
El aparato hace ruido.	No hay tensión en la toma de corriente.	Conecte un aparato diferente a la de corriente. Póngase en contacto con un electricista cualificado.
	El aparato no está bien apoyado.	Compruebe que los soportes del aparato están estables.
La alarma audible o visual está activada.	El armario se ha encendido hace poco.	Consulte "Alarma de temperatura alta".
	La temperatura del aparato es demasiado alta.	Consulte "Alarma de temperatura alta".
La alarma audible o visual está activada.	La puerta se queda abierta.	Cierre la puerta.
El compresor funciona continuamente.	La temperatura se ha ajustado de manera incorrecta.	Consulte el capítulo "Panel de control".
	Ha puesto demasiados alimentos juntos al mismo tiempo.	Espere unas horas y vuelva a comprobar la temperatura.
	La temperatura ambiente es demasiado alta.	Consulte el capítulo "Instalación".
	Los alimentos introducidos en el aparato estaban demasiado calientes.	Deje que los alimentos se enfríen a temperatura ambiente antes de guardarlos.
	La puerta no está bien cerrada.	Consulte la sección "Cierre de la puerta".
El compresor no se pone en marcha inmediatamente después de pulsar "Extra Freeze" o "Extra Cool", o tras cambiar la temperatura.	La función Extra Freeze está activada.	Consulte la sección "Función Extra Freeze".
	La función Extra Cool está activada.	Consulte la sección "Función Extra Cool".
La puerta está mal alineada o interfiere con la rejilla de ventilación.	El compresor se pone en marcha al cabo de cierto tiempo.	Esto es normal, no se ha producido ningún error.
La puerta no se abre fácilmente.	El aparato no está nivelado.	Consulte las instrucciones de instalación.
La bombilla no funciona.	Ha intentado volver a abrir la puerta inmediatamente después de cerrarla.	Cierre y abra la puerta.
	La bombilla está en modo de espera.	Cierre y abra la puerta.
	La bombilla es defectuosa.	Póngase en contacto con el Centro de servicio autorizado.

Problema	Posible causa	Solución
Hay demasiada escarcha y hielo.	La puerta no está bien cerrada.	Consulte la sección "Cierre de la puerta".
	La junta de la puerta está sucia o deformada.	Consulte la sección "Cierre de la puerta".
	Los alimentos no están bien envueltos.	Envuelva los alimentos correctamente.
	La temperatura se ha ajustado de manera incorrecta.	Consulte el capítulo "Panel de control".
	El aparato está completamente cargado y ajustado a la temperatura más baja.	Seleccione una temperatura más alta. Consulte el capítulo "Panel de control".
El agua fluye por la placa posterior del frigorífico.	La temperatura ajustada en el aparato es demasiado baja y la temperatura ambiente demasiado alta.	Seleccione una temperatura más alta. Consulte el capítulo "Panel de control".
	Durante el proceso de descongelación automática, la escarcha se derrite en la placa posterior.	Es correcto.
Hay demasiada agua de condensación en la pared posterior del frigorífico.	La puerta se abre con demasiada frecuencia.	Abra la puerta solo cuando sea necesario.
	La puerta no se cierra completamente.	Asegúrese de que la puerta está cerrada completamente.
	Los alimentos guardados no están envueltos correctamente.	Envuelva los alimentos correctamente antes de guardarlos en el aparato.
	Es normal que durante el verano y el otoño se pueda formar más condensación debido al aumento de la humedad del aire y los alimentos. El frigorífico no produce humedad. Pasado este periodo, la humedad del frigorífico disminuye por sí sola.	En verano y otoño, suba la temperatura en el frigorífico (aprox. 6-7 °C).
Hay gotas de agua en los estantes de vidrio.	Hay demasiada humedad dentro del frigorífico.	Limpie los estantes de vidrio con un paño para eliminar las gotas de agua.
No se puede ajustar la temperatura.	La función Extra Freeze o la función Extra Cool está activada.	Apague manualmente la función Extra Freeze o la función Extra Cool, o espere hasta que la función se desactive automáticamente. Consulte la sección "Función Extra Freeze" o "Función Extra Cool".
La temperatura del aparato es demasiado baja/alta.	La temperatura no se ha ajustado correctamente.	Seleccione una temperatura más alta/más baja.
	La puerta no está bien cerrada.	Consulte la sección "Cierre de la puerta".
	La comida está demasiado caliente.	Deje que los alimentos se enfrien antes de ponerlos dentro.

Problema	Posible causa	Solución
	Ha puesto demasiados alimentos juntos al mismo tiempo.	Guarde menos alimentos al mismo tiempo.
	La puerta se ha abierto con frecuencia.	Abra la puerta sólo si es necesario.
	La función Extra Freeze está activada.	Consulte la sección "Extra Freeze función".
	La función Extra Cool está activada.	Consulte la sección "Extra Cool función".
	No hay circulación de aire frío en el aparato.	Asegúrese de que el aire frío circula con normalidad en el aparato. Consulte el capítulo "Consejos".



Si el problema continúa, póngase en contacto con el Centro de servicio técnico.

8.2 Cambio de la bombilla

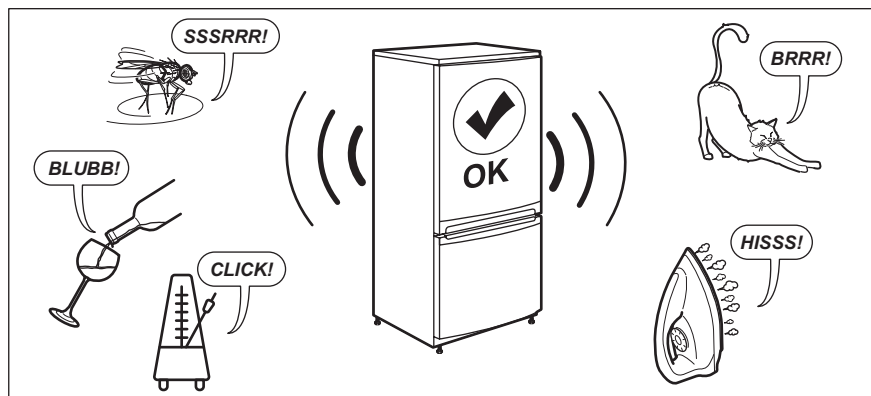
El aparato está equipado con una luz LED interior de larga duración.

Solo se permite al servicio técnico sustituir el dispositivo de luz. Póngase en contacto con el centro de servicio técnico autorizado.

8.3 Cierre de la puerta

1. Limpie las juntas de la puerta.
2. Si es necesario, ajuste la puerta. Consulte el capítulo "Instalación".
3. Si es necesario, cambie las juntas defectuosas de la puerta. Para obtener más información, póngase en contacto con el centro de servicio autorizado.

9. RUIDOS



10. DATOS TÉCNICOS

La información técnica se encuentra en la placa de datos técnicos situada en el interior del aparato y en la etiqueta de consumo energético.

El código QR de la etiqueta energética suministrada con el aparato proporciona un enlace web a la información relacionada con el rendimiento del aparato en la base de datos EPREL de la UE. Guarde la etiqueta energética como referencia junto con el manual de usuario y todos los demás documentos que se proporcionan con este aparato.

También puede encontrar la misma información en EPREL accediendo desde el enlace <https://eprel.ec.europa.eu> e introduciendo el nombre del modelo y el número de producto que se encuentran en la placa de datos técnicos del aparato.


Consulte el enlace www.theenergylabel.eu para obtener información detallada sobre la etiqueta energética.


11. INFORMACIÓN PARA INSTITUTOS DE PRUEBAS

La instalación y la preparación del aparato para cualquier verificación de EcoDesign deberá cumplir con EN 62552 (EU). Los requisitos de ventilación, las dimensiones de los huecos y las separaciones mínimas traseras serán los indicados en este manual

de usuario en "Instalación". Por favor, póngase en contacto con el fabricante para cualquier otra información adicional, incluyendo los planos de carga.

12. ASPECTOS MEDIOAMBIENTALES

Recicle los materiales con el símbolo . Coloque el material de embalaje en los contenedores adecuados para su reciclaje. Ayude a proteger el medio ambiente y la salud pública, así como a reciclar residuos de aparatos eléctricos y electrónicos. No

deseche los aparatos marcados con el símbolo  junto con los residuos domésticos. Lleve el producto a su centro de reciclaje local o póngase en contacto con su oficina municipal.







electrolux.com

212003118-D-232024



CE