



# Modern Series

## LCD Monitor

Modern MD272UPSW (3PB1)

User Guide

# Contents

Getting Started .....	3
Package Contents .....	3
Installing the Monitor Stand .....	4
Adjusting the Monitor .....	5
Monitor Overview .....	6
Remote Control Overview .....	8
Connecting the Monitor to PC .....	9
OSD Setup .....	10
Navi Key .....	10
Hot Key .....	10
Google TV Menus .....	11
Channels & Inputs .....	11
Monitor .....	11
Display & Sound .....	11
Network & Internet .....	12
Accounts & Profiles .....	12
Privacy .....	13
Apps .....	14
System .....	14
Accessibility .....	15
Remotes & Accessories .....	16
Help & Feedback .....	16
Specifications .....	17
Preset Display Modes .....	19
Troubleshooting .....	20
Safety Instructions .....	21
TÜV Rheinland Certification .....	23
ENERGY STAR Certification .....	23
Regulatory Notices .....	24

## Revision

V1.1, 2025/04

# Getting Started

This chapter provides you with the information on hardware setup procedures. While connecting devices, be careful in holding the devices and use a grounded wrist strap to avoid static electricity.

## Package Contents

Monitor	Modern MD272UPSW
Documentation	Quick Start Guide
Accessories	Stand
	Stand Base with Screw(s)
	Screw(s) for Wall Mount Bracket(s)
	Power Cord
	Remote Control
Cables	HDMI™ Cable (Optional)
	USB Type-C Cable (Optional)

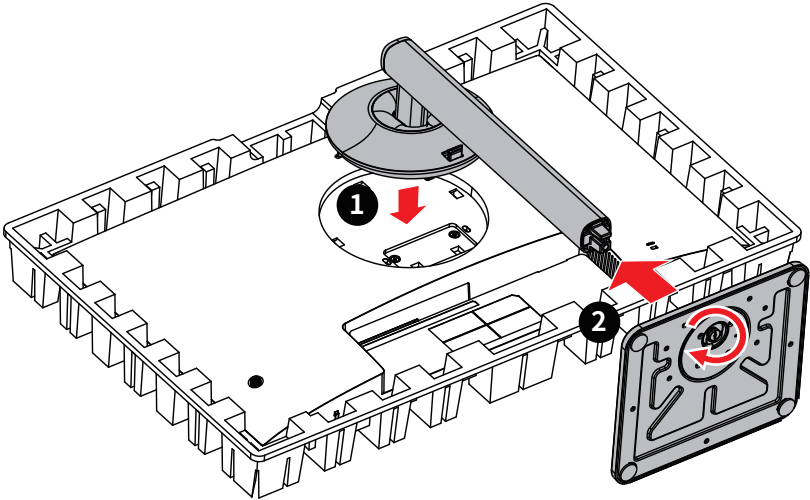


### **Important**

- Contact your place of purchase or local distributor if any of the items is damaged or missing.
- Package contents may vary by country and model.
- The included power cord is exclusively for this monitor and should not be used with other products.

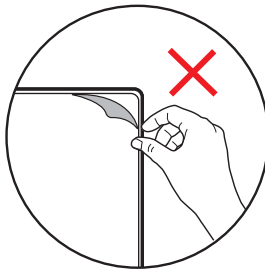
## Installing the Monitor Stand

1. Leave the monitor in its protective packaging. Align and gently push the stand bracket towards the monitor groove until it locks in place.
2. Connect the base to the stand and tighten the screw to secure the base.
3. Make sure the stand assembly is properly installed before setting the monitor upright.



### **Important**

- Place the monitor on a soft, protected surface to avoid scratching the display panel.
- Do not use any sharp objects on the panel.
- The groove for installing the stand bracket can also be used for wall mount. Please contact your dealer for proper wall mount kit.
- This product comes with **NO** protective film to be removed by the user! Any mechanical damages to the product including removal of the polarizing film may affect the warranty!

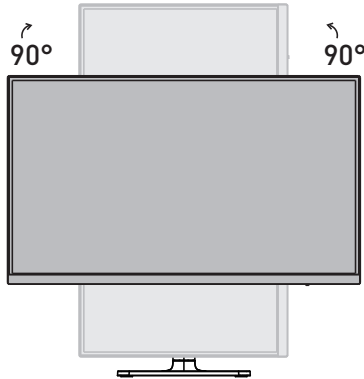
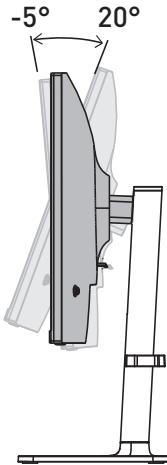
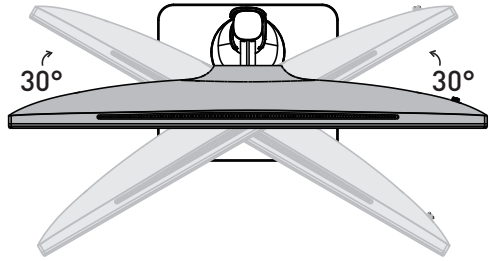
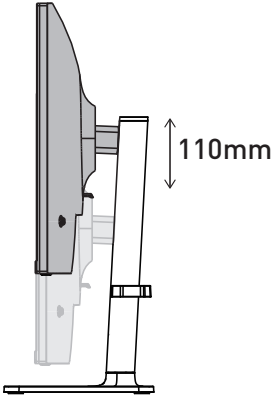


# Adjusting the Monitor

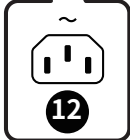
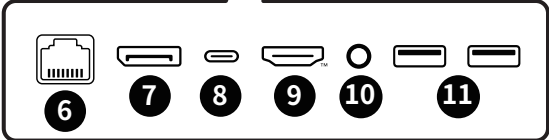
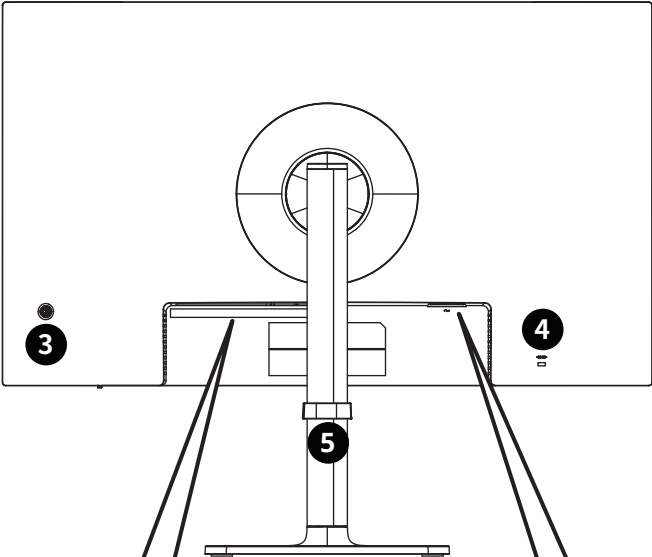
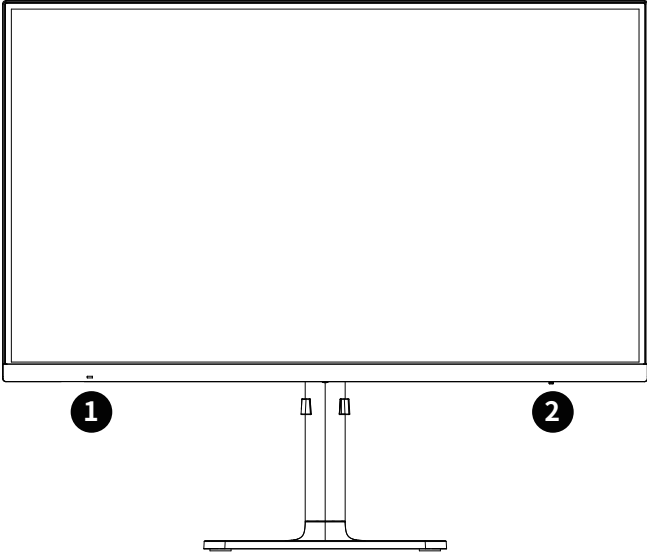
This monitor is designed to maximize your viewing comfort with its adjustment capabilities.




 **Important**

- Avoid touching the display panel when adjusting the monitor.
- The reserved pivot 5° is designed for adjusting the level imbalance of some tables.



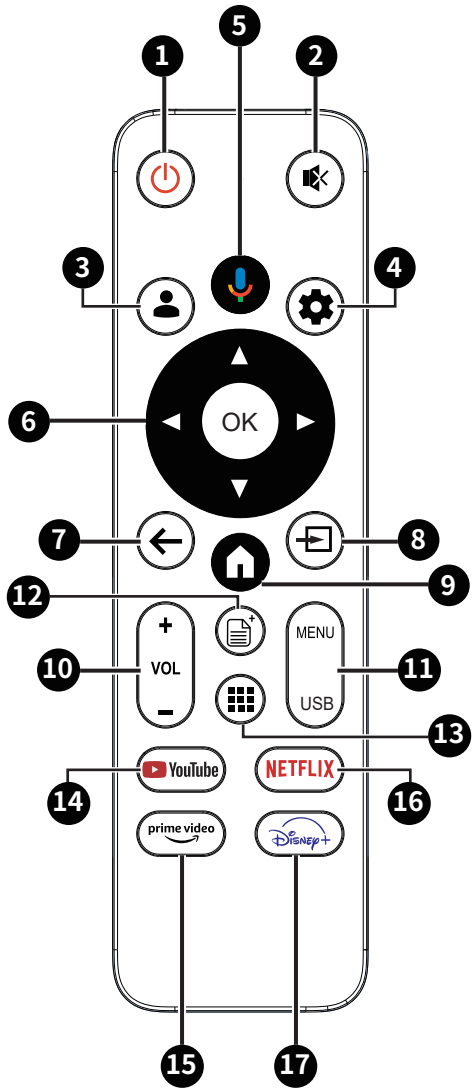
# Monitor Overview



<b>1</b>	<b>Infrared Receiver</b>
<b>2</b>	<b>Power LED</b> Lit in white after the monitor is turned on. If no signal input, the LED will turn into orange. Lit in orange when the monitor is in Stand-by mode.
<b>3</b>	<b>Power Button &amp; Navi Key</b>
<b>4</b>	<b>Kensington Lock</b>
<b>5</b>	<b>Cable Organizer</b>
<b>6</b>	<b>100 Mbps LAN Jack</b> The standard RJ-45 LAN jack is provided for connection to the Local Area Network (LAN). You can connect a network cable to it.
<b>7</b>	<b>DisplayPort</b> Supports 3840x2160@60Hz as specified in DisplayPort 1.4a.
<b>8</b>	<b>USB Type-C Port</b> This port supports DisplayPort Alternate (DP Alt) Mode and up to 20V/3.25A (65W) power delivery.   <b>Important</b> <i>Your USB-C signal source and cable must support DisplayPort Alternate Mode to enable video output to the monitor.</i>
<b>9</b>	<b>HDMI™ Connector</b>  <small>HIGH-DEFINITION MULTIMEDIA INTERFACE</small> Supports HDMI™ CEC, 3840x2160@60Hz as specified in HDMI™ 2.0b.   <b>Important</b> <i>To ensure optimal performance and compatibility, please use only HDMI™ cables certified with the official HDMI™ logo when connecting this monitor. For more information, please visit <a href="https://www.hdmi.org/resource/cables">https://www.hdmi.org/resource/cables</a>.</i>
<b>10</b>	<b>Headphone Jack</b>
<b>11</b>	<b>USB 2.0 Type-A Port</b>
<b>12</b>	<b>Power Jack</b>

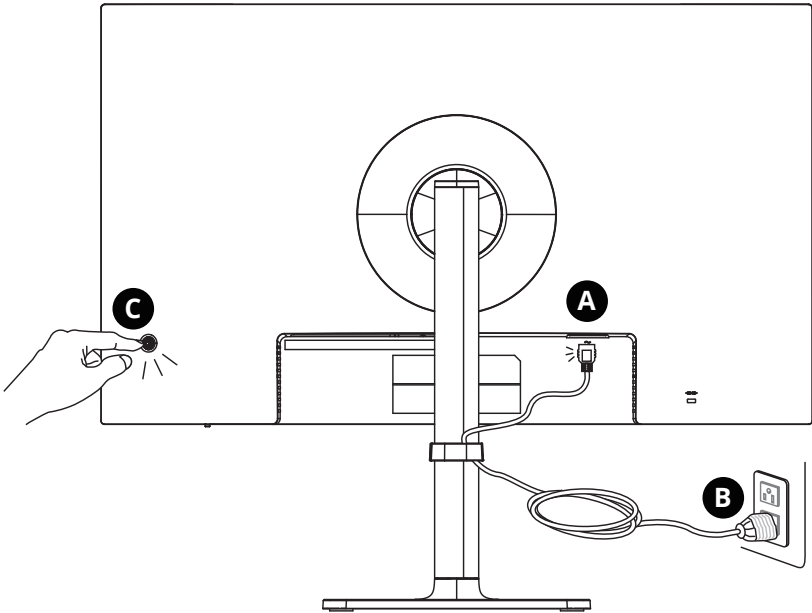
# Remote Control Overview

- 1 Power**  
Turns the Monitor on or off.
- 2 Mute**  
To mute or un-mute the sound.
- 3 Profile Switch**  
Goes to the Google account page.
- 4 Notification (Dashboard)**  
Enter the Monitor settings.
- 5 Google Assistant**  
Turns on the bluetooth voice setting.
- 6 Up/ Down/ Left/ Right/ OK**  
Selects different items in the menu, adjusts the menu, and confirms the selection.
- 7 Back**  
Exits the menu and return to the previous page.
  - Bug Report (OK + Back)
  - Talkback (Back + Down)
- 8 Source**  
Enters the source selection interface.
- 9 Home**  
Goes to the Smart Monitor homepage.
- 10 Volume Up/ Down**  
Controls the volume.
- 11 Menu/ USB**
- 12 Shortcut**
- 13 All APPS**  
Goes to the application store page.
- 14 YouTube**  
Goes to the YouTube page.
- 15 Prime Video**  
Goes to the Prime Video page.
- 16 NETFLIX**  
Goes to the NETFLIX page.
- 17 Disney+**  
Goes to the Disney Plus page.



## Connecting the Monitor to PC

1. Turn off your computer.
2. Connect the video cable from the monitor to your computer.
3. Connect the power cord to the monitor power jack. (Figure A)
4. Plug the power cord into the electrical outlet. (Figure B)
5. Turn on the monitor. (Figure C)
6. Power on the computer and the monitor will auto detect the signal source.



# OSD Setup

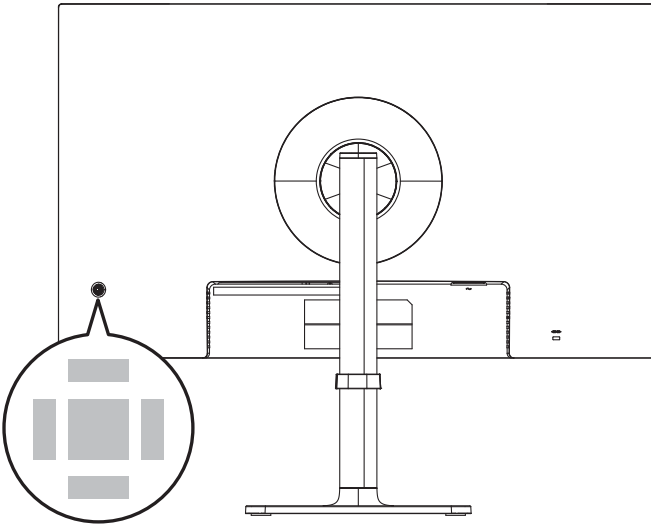
This chapter provides you with essential information on OSD Setup.



*All information is subject to change without prior notice.*

## Navi Key

The monitor comes with a Navi Key, a multi-directional control that helps navigate the On-Screen Display (OSD) menu.



### Up/ Down/ Left/ Right:

- selecting function menus and items
- adjusting function values
- entering into/exiting from function menus

### Middle:

- launching the On-Screen Display (OSD)
- entering submenus
- confirming a selection or setting

## Hot Key

- Users may enter into preset function menus by moving the Navi Key up, down, left or right when the OSD menu is inactive.
- Users may customize their own Hot Keys to enter into different function menus.

# Google TV Menus

## Channels & Inputs

1st Level Menu	2nd Level Menu
External Inputs	HDMI CEC Settings
	HDMI Signal Format

## Monitor

1st Level Menu	2nd Level Menu
Quick Show	ON
	OFF
MultiView	MultiView
	Audio Focus
	Focus
Auto Switch Settings	On, go sleep when no signal
	On, go launcher when no signal
	Off
Mouse/Keyboard wake up	ON
	OFF
Multi-Platform Streamer	Open
	Start
	Subscribe
Keyboard/Mouse	Control Device
	Shortcut Menu Hotkey
Cast2Display	

## Display & Sound

1st Level Menu	2nd Level Menu
Picture	Picture Mode
	Backlight
	Overscan
	Color
	PC mode
	Game Option
	Basic Settings
	Professional Settings
	Reset All

1st Level Menu	2nd Level Menu
Screen	Aspect Ratio
Sound	Sound Mode
	Surround Mode
	Sound Only
	Advanced Settings
Audio output	Output Device
	Audio Output Type
	Digital Audio Delay(ms)
	Digital Audio Volume
	eARC

## Network & Internet

1st Level Menu	2nd Level Menu
Wi-Fi	ON
	OFF
Available networks	
See all/fewer	See all wifi AP
Other options	
Add new network	Input Menu for Wifi Network
Scanning always available	ON
	OFF
ETHERNET	
Not connected	
Proxy settings	Proxy settings
IP settings	IP settings
Wifi configs	Wake On Network
	Network Standby

## Accounts & Profiles

1st Level Menu	2nd Level Menu
Google TV accounts	
Add an account	
Kids accounts	
Add a kid	

# Privacy

1st Level Menu	2nd Level Menu
Device Settings	
Location	Location status
	Scanning always available
	RECENT LOCATION REQUESTS
Usage & diagnostics	ON
	OFF
Ads	
Account settings	
Google Assistant	Personal settings
	Voice control
	View Permissions
	Personal results
	Searchable apps
	Shared settings
	SafeSearch filter
Payment & Purchases	Purchase authentication
App settings	
Manage Updates	Auto-update apps
	See available updates
App permissions	Contacts
	Phone
	Files and media
	Microphone
	Other permissions
Special app access	Energy optimization
	Usage access
	Notification access
	All files access
	Display over other apps
	Modify system settings
Security & Restrictions	Turn screen on
	Unknow sources

## Apps

1st Level Menu	2nd Level Menu
Recently opened apps	
See all apps	Show all apps
Permissions	
Manage Updates	Auto-update apps
	See available updates
App permissions	Phone
	Files and media
	Other permissions
Special app access	Energy optimization
	Usage access
	Notification access
	All files access
	Display over other apps
	Modify system settings
	Turn screen on
Security & Restrictions	Unknown sources

## System

1st Level Menu	2nd Level Menu
About	System update
	Device name
	Reset
	Status
	Legal information
	Model
	Android TV OS version
	Android TV OS security patch level
	Kernel version
	Android TV OS build
	Netflix ESN
	Terms and Conditions
	Environment
	System running time

1st Level Menu	2nd Level Menu
Date & Time	Automatic data&time
	Set date
	Set time
	Set time zone
	Use 24-hour format
Language	Google Defined Language
Keyboard	Current keyboard
	Gboard Settings
	Manage keyboards
Storage	Device storage
	Internal shared storage
	Free up storage
Ambient Screensaver	Google Defined Settings - Ambient
Power & Energy	Power on behavior
	Power & Energy
	Type-C Charge
	Power Mode
Cast	Google Defined Settings
System sounds	ON
	OFF
Restart	

## Accessibility

1st Level Menu	2nd Level Menu
TalkBack	Enable
	Configuration
Text to speech	Speech Services by Google
	Engine configuration
	Speech rate
	Listen to an example
	Default language status
Accessibility shortcut	Enable accessibility shortcut
	Shortcut service
Switch Access	Enable
	Configuration

1st Level Menu	2nd Level Menu
Captions	Display
	Language
	Text size
	White on black
	Black on white
	Yellow on black
	Yellow on blue
	Custom
High contrast text (Experimental)	ON
	OFF

## Remotes & Accessories

1st Level Menu	2nd Level Menu
Bluetooth	ON
	OFF
Pair accessory	Full-screen BT pairing flow
RCU Firmware Update	RCU Firmware Update

## Help & Feedback

1st Level Menu	2nd Level Menu
Send feedback	
Visit Google TV Help at <a href="https://g.co/tv/help">g.co/tv/help</a>	

# Specifications

<b>Monitor</b>	<b>Modern MD272UPSW</b>
<b>Size</b>	27 inch
<b>Curvature</b>	Flat
<b>Panel Type</b>	IPS
<b>Resolution</b>	3840x2160 (UHD)
<b>Aspect Ratio</b>	16:9
<b>Brightness</b>	300 nits (typ.)
<b>Contrast Ratio</b>	1000:1
<b>Refresh Rate</b>	60Hz
<b>I/O</b>	<ul style="list-style-type: none"> <li>• 1 x 100 Mbps LAN Jack</li> <li>• 1 x DisplayPort</li> <li>• 1 x HDMI™ Connector</li> <li>• 1 x USB Type-C Port</li> <li>• 2 x USB 2.0 Type-A Port</li> <li>• 1 x Headphone Jack</li> </ul>
<b>View Angles</b>	178°(H) , 178°(V)
<b>DCI-P3*/ sRGB</b>	98% / 127%
<b>Surface Treatment</b>	Anti-glare
<b>Display Colors</b>	1.07B (8bits + FRC)
<b>Speaker</b>	3W x2
<b>Monitor Power Options</b>	100~240Vac, 50/60Hz, 3A
<b>Power Consumption (Typical)</b>	Power On < 180W Standby < 0.5W
<b>Adjustment (Height)</b>	0 ~ 110mm
<b>Adjustment (Tilt)</b>	-5° ~ 20°
<b>Adjustment (Swivel)</b>	-30° ~ 30°
<b>Adjustment (Pivot)</b>	-90° ~ 90°
<b>Kensington Lock</b>	Yes
<b>VESA Mounting</b>	<ul style="list-style-type: none"> <li>• Plate Type: 75 x 75 mm</li> <li>• Screw Type: M4 x 10 mm</li> </ul>
<b>Dimension (W x H x D)</b>	613.5 x 413.4 x 201.8 mm

Monitor		Modern MD272UPSW
Weight	Net	6.30 kg
	Gross	9.10 kg
Environment	Operating	<ul style="list-style-type: none"> <li>• Temperature: 0°C to 40°C</li> <li>• Humidity: 20% to 90%, non-condensing</li> <li>• Altitude: 0 ~ 5000m</li> </ul>
	Storage	<ul style="list-style-type: none"> <li>• Temperature: -20°C to 60°C</li> <li>• Humidity: 10% to 90%, non-condensing</li> </ul>

\* Based on CIE1976 test standards.

\*\* External Power Supply may vary by country.

# Preset Display Modes



**Important**

All information is subject to change without prior notice.

Standard	Resolution		Standard Default Mode		
			HDMI™	DP	USB-C
VGA	640x480	@60Hz	V	V	V
SVGA	800x600	@56Hz	V	V	V
		@60Hz	V	V	V
XGA	1024x768	@60Hz	V	V	V
WXGA	1280x720	@60Hz	V	V	V
WXGA+	1440x900	@60Hz	V	V	V
WSXGA+	1680x1050	@60Hz	V	V	V
FHD	1920x1080	@60Hz	V	V	V
QHD	2560x1440	@60Hz	V	V	V
UHD	3840x2160	@60Hz	V	V	V
Video Timing Resolution	720P		V	V	V
	1080P		V	V	V
	2160P	@50Hz	V	V	V
		@60Hz	V	V	V

# Troubleshooting

## **The power LED is off.**

- Press the monitor power button again.
- Check if the monitor power cable is properly connected.

## **No image.**

- Check if the computer graphics card is properly installed.
- Check if the computer and monitor are connected to electrical outlets and are turned on.
- Check if the monitor signal cable is properly connected.
- The computer may be in Standby mode. Press any key to activate the monitor.

## **The screen image is not properly sized or centered.**

- Refer to Preset Display Modes to set the computer to a setting suitable for the monitor to display.

## **No Plug & Play.**

- Check if the monitor power cable is properly connected.
- Check if the monitor signal cable is properly connected.
- Check if the computer and graphics card are Plug & Play compatible.

## **The icons, font or screen are fuzzy, blurry or have color problems.**

- Avoid using any video extension cables.
- Adjust brightness and contrast.
- Adjust RGB color or tune color temperature.
- Check if the monitor signal cable is properly connected.
- Check for bent pins on the signal cable connector.

## **The monitor starts flickering or shows waves.**

- Change the refresh rate to match the capabilities of your monitor.
- Update your graphics card drivers.
- Keep the monitor away from electrical devices that may cause electromagnetic interference (EMI).

# Safety Instructions

- Read the safety instructions carefully and thoroughly.
- All cautions and warnings on the device or User Guide should be noted.
- Refer servicing to qualified personnel only.

## Power

- Make sure that the power voltage is within its safety range and has been adjusted properly to the value of 100~240V before connecting the device to the power outlet.
- If the power cord comes with a 3-pin plug, do not disable the protective earth pin from the plug. The device must be connected to an earthed mains socket-outlet.
- Please confirm the power distribution system in the installation site shall provide the circuit breaker rated 120/240V, 20A (maximum).
- Always disconnect the power cord or switch the wall socket off if the device would be left unused for a certain time to achieve zero energy consumption.
- Place the power cord in a way that people are unlikely to step on it. Do not place anything on the power cord.
- If this device comes with an adapter, use only the MSI provided AC adapter approved for use with this device.

## Environment

- To reduce the possibility of heat-related injuries or of overheating the device, do not place the device on a soft, unsteady surface or obstruct its air ventilators.
- Use this device only on a hard, flat and steady surface.
- To prevent the device from tipping over, secure the device to a desk, wall or fixed object with an anti-tip fastener that helps to properly support the device and keep it safe in place.
- To prevent fire or shock hazard, keep this device away from humidity and high temperature.
- Do not leave the device in an unconditioned environment with a storage temperature above 60°C or below -20°C, which may damage the device.
- The maximum operating temperature is around 40°C.
- When cleaning the device, be sure to remove the power plug. Use a piece of soft cloth rather than industrial chemical to clean the device. Never pour any liquid into the opening; that could damage the device or cause electric shock.
- Always keep strong magnetic or electrical objects away from the device.

- If any of the following situations arises, get the device checked by service personnel:
  - The power cord or plug is damaged.
  - Liquid has penetrated into the device.
  - The device has been exposed to moisture.
  - The device does not work well or you can not get it working according to the User Guide.
  - The device has dropped and damaged.
  - The device has obvious sign of breakage.

# TÜV Rheinland Certification

## TÜV Rheinland Low Blue Light Certification

Blue light has been shown to cause eye fatigue and discomfort. MSI now offers monitors with TÜV Rheinland Low Blue Light certification to ensure users' eye comfort and well-being. Please follow the instructions below to reduce the symptoms from extended exposure to the screen and blue light.



Low Blue Light  
(Software  
Solution)

[www.tuv.com](http://www.tuv.com)

- Place the screen 20 – 28 inches (50 – 70 cm) away from your eyes and a little below eye level.
- Consciously blinking the eyes every now and then will help to reduce eye strain after extended screen time.
- Take breaks for 20 minutes every 2 hours.
- Look away from the screen and gaze at a distant object for at least 20 seconds during breaks.
- Make stretches to relieve body fatigue or pain during breaks.
- Turn on the optional Low Blue Light function.

## TÜV Rheinland Flicker Free Certification

TÜV Rheinland has tested this product to ascertain whether the display produces visible and invisible flicker for the human eye and therefore strains the eyes of users.



Flicker Free

[www.tuv.com](http://www.tuv.com)

- TÜV Rheinland has defined a catalogue of tests, which sets out minimum standards at various frequency ranges. The test catalogue is based on internationally applicable standards or standards common within the industry and exceeds these requirements.
- The product has been tested in the laboratory according to these criteria.
- The keyword “Flicker Free” confirms that the device has no visible and invisible flicker defined in this standard within the range of 0 - 3000 Hz under various brightness settings.
- The display will not support Flicker Free when Anti Motion Blur/MPRT is enabled. (The availability of Anti Motion Blur/MPRT varies by products.)

## ENERGY STAR Certification

ENERGY STAR is a program run by the U.S. Environmental Protection Agency (EPA) and U.S. Department of Energy (DOE) to promote energy efficiency. This product qualifies for ENERGY STAR in the “factory default” settings through which power savings will be achieved. Changing the factory default picture settings or enabling other features will increase power consumption, which could exceed the limits necessary to qualify for ENERGY STAR rating.



For more information on ENERGY STAR, refer to <https://www.energystar.gov/>.

# Regulatory Notices

## CE Conformity

This device complies with the requirements set out in the Council Directive on the Approximation of the Laws of the Member States relating to Electromagnetic Compatibility (2014/30/EU), Low-voltage Directive (2014/35/EU), ErP Directive (2009/125/EC), RoHS directive (2011/65/EU), and Radio Equipment Directive, RED (2014/53/EU). This product has been tested and found to comply with the harmonized standards for Information Technology Equipment published under Directives of Official Journal of the European Union.



## FCC-B Radio Frequency Interference Statement

This equipment has been tested and found to comply with the limits for a Class B digital device, pursuant to Part 15 of the FCC Rules. These limits are designed to provide reasonable protection against harmful interference in a residential installation. This equipment generates, uses and can radiate radio frequency energy and, if not installed and used in accordance with the instruction manual, may cause harmful interference to radio communications. However, there is no guarantee that interference will not occur in a particular installation. If this equipment does cause harmful interference to radio or television reception, which can be determined by turning the equipment off and on, the user is encouraged to try to correct the interference by one or more of the measures listed below:



- Reorient or relocate the receiving antenna.
- Increase the separation between the equipment and receiver.
- Connect the equipment into an outlet on a circuit different from that to which the receiver is connected.
- Consult the dealer or an experienced radio/television technician for help.

### Notice 1

The changes or modifications not expressly approved by the party responsible for compliance could void the user's authority to operate the equipment.

### Notice 2

Shielded interface cables and AC power cord, if any, must be used in order to comply with the emission limits.

This device complies with Part 15 of the FCC Rules. Operation is subject to the following two conditions:

1. This device may not cause harmful interference, and
2. This device must accept any interference received, including interference that may cause undesired operation.

### MSI Computer Corp.

901 Canada Court, City of Industry, CA 91748, USA

(626) 913-0828

[www.msi.com](http://www.msi.com)

## WEEE Statement

Under the European Union (“EU”) Directive on Waste Electrical and Electronic Equipment, Directive 2012/19/EU, products of “electrical and electronic equipment” cannot be discarded as municipal waste anymore and manufacturers of covered electronic equipment will be obligated to take back such products at the end of their useful life.



## Chemical Substances Information

In compliance with chemical substances regulations, such as the EU REACH Regulation (Regulation EC No. 1907/2006 of the European Parliament and the Council), MSI provides the information of chemical substances in products at:

<https://csr.msi.com/global/index>

## RoHS Statement

### Japan JIS C 0950 Material Declaration

A Japanese regulatory requirement, defined by specification JIS C 0950, mandates that manufacturers provide material declarations for certain categories of electronic products offered for sale after July 1, 2006.

<https://csr.msi.com/global/Japan-JIS-C-0950-Material-Declarations>

### India RoHS

This product complies with the “India E-waste (Management and Handling) Rule 2016” and prohibits use of lead, mercury, hexavalent chromium, polybrominated biphenyls or polybrominated diphenyl ethers in concentrations exceeding 0.1 weight % and 0.01 weight % for cadmium, except for the exemptions set in Schedule 2 of the Rule.

### Turkey EEE Regulation

Conforms to the EEE Regulations of the Republic Of Turkey

### Ukraine Restriction of Hazardous Substances

The equipment complies with requirements of the Technical Regulation, approved by the Resolution of Cabinet of Ministry of Ukraine as of 10 March 2017, № 139, in terms of restrictions for the use of certain dangerous substances in electrical and electronic equipment.

### Vietnam RoHS

As from December 1, 2012, all products manufactured by MSI comply with Circular 30/2011/TT-BCT temporarily regulating the permitted limits for a number of hazardous substances in electronic and electric products.

## Green Product Features

- Reduced energy consumption during use and stand-by
- Limited use of substances harmful to the environment and health
- Easily dismantled and recycled
- Reduced use of natural resources by encouraging recycling
- Extended product lifetime through easy upgrades
- Reduced solid waste production through take-back policy

## Environmental Policy

- The product has been designed to enable proper reuse of parts and recycling and should not be thrown away at its end of life.
- Users should contact the local authorized point of collection for recycling and disposing of their end-of-life products.
- Visit the MSI website and locate a nearby distributor for further recycling information.
- Users may also reach us at [gpcontdev@msi.com](mailto:gpcontdev@msi.com) for information regarding proper disposal, take-back, recycling, and disassembly of MSI products.
- Please visit <https://us.msi.com/page/recycling> for information regarding the recycling of your product in the US.



## Warning!

Overuse of screens is likely to affect eyesight.

### Recommendations:

1. Take a 10-minute break for every 30 minutes of screen time.
2. Children under 2 years of age should have no screen time. For children aged 2 years and over, screen time should be limited to less than one hour per day.

## Copyright and Trademarks Notice



Copyright © Micro-Star Int'l Co., Ltd. All rights reserved. The MSI logo used is a registered trademark of Micro-Star Int'l Co., Ltd. All other marks and names mentioned may be trademarks of their respective owners. No warranty as to accuracy or completeness is expressed or implied. MSI reserves the right to make changes to this document without prior notice.



The terms HDMI™, HDMI™ High-Definition Multimedia Interface, HDMI™ Trade dress and the HDMI™ Logos are trademarks or registered trademarks of HDMI™ Licensing Administrator, Inc.



Manufactured under license from Dolby Laboratories. Dolby, Dolby Audio, and the double-D symbol are trademarks of Dolby Laboratories Licensing Corporation.

## Technical Support

If a problem arises with your product and no solution can be obtained from the user's manual, please contact your place of purchase or local distributor. Alternatively, please visit <https://www.msi.com/support/> for further guidance.

## Restrictions for Products with Radio Functionality (select products only)



**CAUTION:** IEEE 802.11x wireless LAN with 5.15~5.35 GHz frequency band is restricted for indoor use only in all European Union member states, EFTA (Iceland, Norway, Liechtenstein), and most other European countries (e.g., Switzerland, Turkey, Republic of Serbia). Using this WLAN application outdoors might lead to interference issues with existing radio services.



### Radio frequency bands and maximum power levels

- Frequency Range:
  - 2.4 GHz: 2400~2485MHz
  - 5 GHz: 5150~5350MHz, 5470~5725MHz, 5725~5850MHz
- Max Power Level:
  - 2.4 GHz: 20dBm
  - 5 GHz: 23dBm