

**TOUCHSCREENS****INFORMATION****24" InCell PCAP 10pt  
touchscreen monitor featuring  
IPS panel technology, Anti-Glare  
coating and a flexible stand**

Immersive interaction and elegant design - Discover the ProLite T2454MSC-B3AG, a vibrant 24" Full HD touchscreen monitor designed for exceptional interactive experiences. Featuring intuitive 10-point Touch technology (InCell PCAP), which ensures smooth and precise touch response. The vibrant colours of the IPS panel will captivate users with precise and natural interaction from any angle. Its sleek and stylish design and anti-glare surface offer durability and ease of cleaning, perfect for busy commercial environments, hospitality spaces, healthcare facilities and public areas.

With adjustable ergonomics, neat cable management, built-in audio and seamless connectivity (HDMI, DisplayPort, USB 3.2 hub), it is an ideal choice for POS, self-service solutions and interactive signage.



### Vivid colors and wide viewing angles

Ensure perfect visibility from any position - The IPS panel delivers vivid, consistent colors and wide viewing angles, ideal for dynamic retail environments and busy commercial spaces.



### Smooth interaction and better protection

Featuring intuitive InCell PCAP touch technology, the screen offers smooth and responsive interaction with reduced glare. Perfect for high-use environments.



### Comfortable and versatile use

The dual-hinge stand allows smooth screen adjustment for comfortable, versatile use - with built-in cable management to keep your workspace neat.



### Enjoy clear, immersive sound

Deliver clear, impactful audio directly from your monitor - ideal for grabbing customer attention with promotional videos, interactive kiosks, or digital signage in busy retail spaces.

## SPECIFICATION

### 01 DISPLAY CHARACTERISTICS

<b>Design</b>	Thin bezel
<b>Diagonal</b>	23.8", 60.5cm
<b>Panel</b>	IPS LED, AG surface finish
<b>Native resolution</b>	1920 x 1080 @83Hz (2.1 megapixel Full HD)
<b>Aspect ratio</b>	16:9
<b>Panel brightness</b>	300 cd/m <sup>2</sup>
<b>Static contrast</b>	1000:1 with touch
<b>Response time (GTG)</b>	4ms
<b>Viewing zone</b>	horizontal/vertical: 178°/178°, right/left: 89°/89°, up/down: 89°/89°
<b>Colour support</b>	16.7mln 8bit
<b>Horizontal Sync</b>	30 - 83kHz
<b>Viewable area W x H</b>	527.04 x 296.46mm, 20.7 x 11.7"
<b>Pixel pitch</b>	02745mm
<b>Bezel colour and finish</b>	black, matte

### 02 TOUCH

<b>Touch technology</b>	InCell PCAP
<b>Touch points</b>	10 (HID, only with supported OS)
<b>Touch accuracy</b>	+ - 2mm
<b>Touch method</b>	finger, glove (latex), capacitive stylus
<b>Touch interface</b>	USB
<b>Supported operating systems</b>	All iiyama monitors are Plug & Play and compatible with Windows and Linux. For details regarding the supported OS for the touch models, please refer to the driver instruction file available in the downloads section.

### 03 INTERFACES / CONNECTORS / CONTROLS

<b>Digital signal input</b>	HDMI x1 DisplayPort x1
<b>Audio output</b>	Mini jack x1 Speakers 2 x 2W
<b>HDCP</b>	yes
<b>USB HUB</b>	x2 (v.3.2 (Gen 1, 5Gbit))

### 04 FEATURES

<b>Extra</b>	Incell PCAP, anti-glare coating, TCO9 & EPEAT bronze certification
<b>Kiosk mode</b>	yes
<b>Glass hardness</b>	3H
<b>OSD key lock</b>	yes

## 05 GENERAL

<b>OSD languages</b>	EN, DE, FR, ES, IT, PT, RU, JP, NL, PL
<b>Control buttons</b>	Power, menu, +, -, Exit
<b>User controls</b>	luminance (contrast, brightness, i-Style Color, adv. contrast, eco), Image settings (aspect ratio), Color settings (gamma, 6-axis, color temp), OSD (OSD horizontal position, OSD vertical position, OSD time, language), Extra (reset, DDC/CI, signal select, OverDrive, opening logo, information)
<b>Blue light reducer</b>	yes
<b>Flicker free</b>	yes
<b>Plug&amp;Play</b>	DDC2B

## 06 MECHANICAL

<b>Orientation</b>	landscape, face-up
<b>Height adjustment</b>	111mm
<b>Tilt angle</b>	90° up; 5° down
<b>VESA mounting</b>	100 x 100mm
<b>Cable management system</b>	yes
<b>MTBF</b>	50000 hours (excluding backlight)

## 07 ACCESSORIES INCLUDED

<b>Cables</b>	power, USB, HDMI
<b>Guides</b>	quick start guide, safety guide
<b>Other</b>	Screwdriver
<b>Cable cover</b>	yes

## 08 POWER MANAGEMENT

<b>Power supply unit</b>	internal
<b>Power supply</b>	AC 100 - 240V, 50/60Hz
<b>Power usage</b>	17W typical, 1.5W stand by, 0.3W off mode

## 09 SUSTAINABILITY

<b>Regulations</b>	CE, EAC, RoHS support, ErP, WEEE, EPEAT, REACH, UKCA
<b>REACH SVHC</b>	above 0.1%: Lead

## 10 DIMENSIONS / WEIGHT

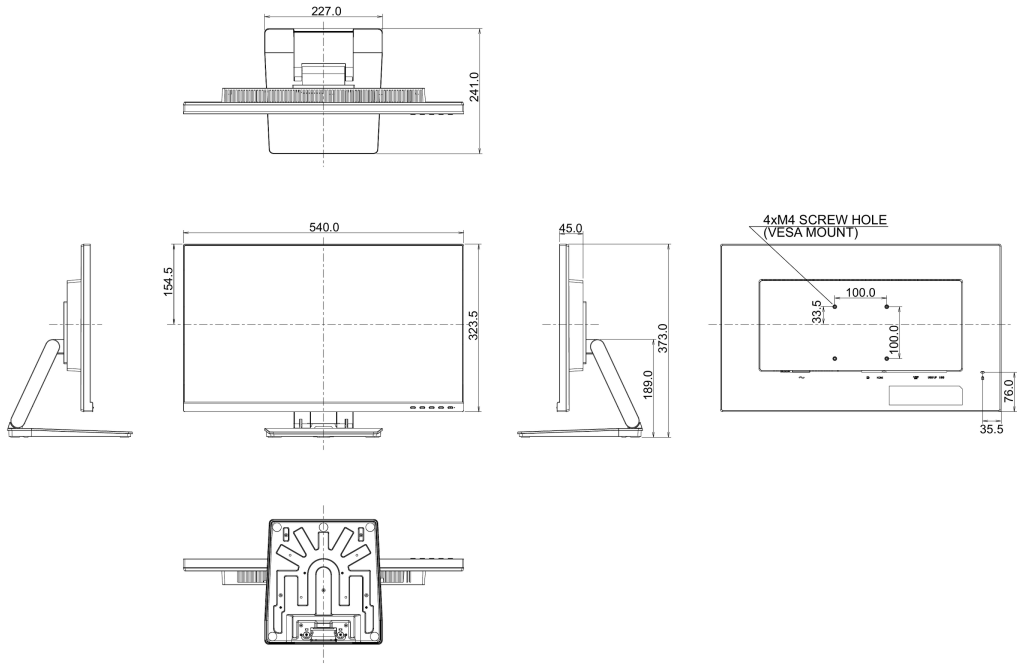
<b>Product dimensions W x H x D</b>	540 x 373 x 241mm
<b>Box dimensions W x H x D</b>	615 x 420 x 148mm
<b>Weight (without box)</b>	5.4kg

Weight (with box) 7.1kg

EAN code 4948570125791

11 EU ENERGY EFFICIENCY LABEL

Energy efficiency class (Regulation (EU) 2017/1369) E







All trademarks and registered trademarks acknowledged. E & O E. Specification subject to change without notice. All LCD's comply with ISO-9241-307:2008 in connection with pixel defects. © **IYAMA CORPORATION. ALL RIGHTS RESERVED**