

TOUCHSCREENS**INFORMATION****24" InCell PCAP 10pt
touchscreen monitor featuring
IPS panel technology, Anti-Glare
coating and a flexible stand**

Immersive interaction and elegant design - Discover the ProLite T2454MSC-B3AG, a vibrant 24" Full HD touchscreen monitor designed for exceptional interactive experiences. Featuring intuitive 10-point Touch technology (InCell PCAP), which ensures smooth and precise touch response. The vibrant colours of the IPS panel will captivate users with precise and natural interaction from any angle. Its sleek and stylish design and anti-glare surface offer durability and ease of cleaning, perfect for busy commercial environments, hospitality spaces, healthcare facilities and public areas.

With adjustable ergonomics, neat cable management, built-in audio and seamless connectivity (HDMI, DisplayPort, USB 3.2 hub), it is an ideal choice for POS, self-service solutions and interactive signage.



Vivid colors and wide viewing angles

Ensure perfect visibility from any position - The IPS panel delivers vivid, consistent colors and wide viewing angles, ideal for dynamic retail environments and busy commercial spaces.



Smooth interaction and better protection

Featuring intuitive InCell PCAP touch technology, the screen offers smooth and responsive interaction with reduced glare. Perfect for high-use environments.



Comfortable and versatile use

The dual-hinge stand allows smooth screen adjustment for comfortable, versatile use - with built-in cable management to keep your workspace neat.



Enjoy clear, immersive sound

Deliver clear, impactful audio directly from your monitor - ideal for grabbing customer attention with promotional videos, interactive kiosks, or digital signage in busy retail spaces.

SPECIFICATION

01 DISPLAY CHARACTERISTICS

Design	Thin bezel
Diagonal	23.8", 60.5cm
Panel	IPS LED, AG surface finish
Native resolution	1920 x 1080 @83Hz (2.1 megapixel Full HD)
Aspect ratio	16:9
Panel brightness	300 cd/m ²
Static contrast	1000:1 with touch
Response time (GTG)	4ms
Viewing zone	horizontal/vertical: 178°/178°, right/left: 89°/89°, up/down: 89°/89°
Colour support	16.7mln 8bit
Horizontal Sync	30 - 83kHz
Viewable area W x H	527.04 x 296.46mm, 20.7 x 11.7"
Pixel pitch	02745mm
Bezel colour and finish	black, matte

02 TOUCH

Touch technology	InCell PCAP
Touch points	10 (HID, only with supported OS)
Touch accuracy	+/- 2mm
Touch method	finger, glove (latex), capacitive stylus
Touch interface	USB
Supported operating systems	All iiyama monitors are Plug & Play and compatible with Windows and Linux. For details regarding the supported OS for the touch models, please refer to the driver instruction file available in the downloads section.

03 INTERFACES / CONNECTORS / CONTROLS

Digital signal input	HDMI x1 DisplayPort x1
Audio output	Mini jack x1 Speakers 2 x 2W
HDCP	yes
USB HUB	x2 (v.3.2 (Gen 1, 5Gbit))

04 FEATURES

Extra	Incell PCAP, anti-glare coating, TCO9 & EPEAT bronze certification
Kiosk mode	yes
Glass hardness	3H
OSD key lock	yes

05 GENERAL

OSD languages	EN, DE, FR, ES, IT, PT, RU, JP, NL, PL
Control buttons	Power, menu, +, -, Exit
User controls	luminance (contrast, brightness, i-Style Color, adv. contrast, eco), Image settings (aspect ratio), Color settings (gamma, 6-axis, color temp), OSD (OSD horizontal position, OSD vertical position, OSD time, language), Extra (reset, DDC/CI, signal select, OverDrive, opening logo, information)
Blue light reducer	yes
Flicker free	yes
Plug&Play	DDC2B

06 MECHANICAL

Orientation	landscape, face-up
Height adjustment	111mm
Tilt angle	90° up; 5° down
VESA mounting	100 x 100mm
Cable management system	yes
MTBF	50000 hours (excluding backlight)

07 ACCESSORIES INCLUDED

Cables	power, USB, HDMI
Guides	quick start guide, safety guide
Other	Screwdriver
Cable cover	yes

08 POWER MANAGEMENT

Power supply unit	internal
Power supply	AC 100 - 240V, 50/60Hz
Power usage	17W typical, 1.5W stand by, 0.3W off mode

09 SUSTAINABILITY

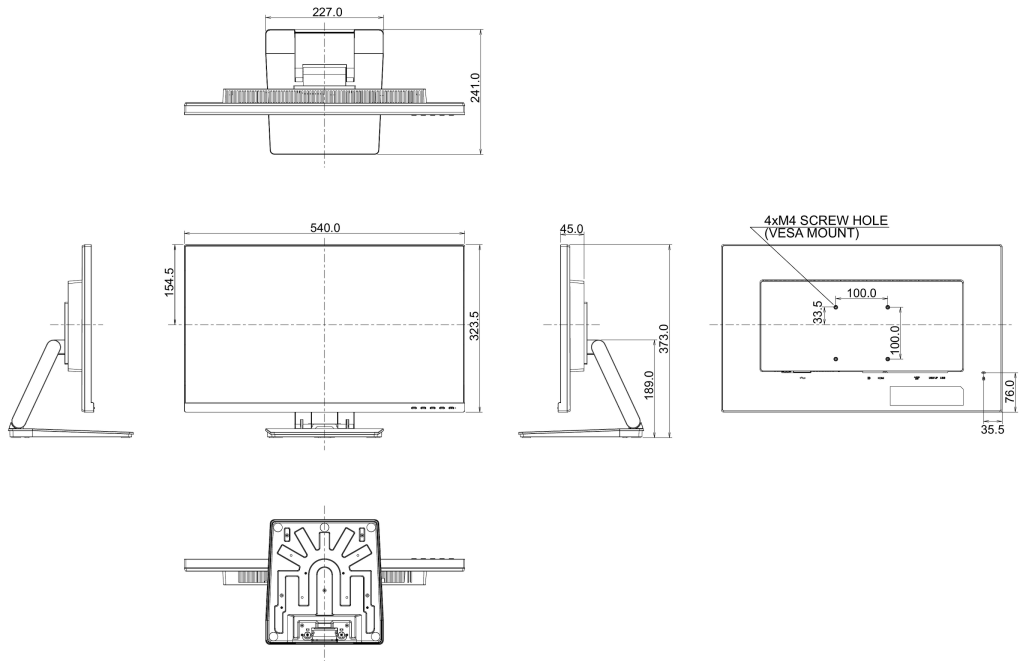
Regulations	CE, EAC, RoHS support, ErP, WEEE, EPEAT, REACH, UKCA
REACH SVHC	above 0.1%: Lead

10 DIMENSIONS / WEIGHT

Product dimensions W x H x D	540 x 373 x 241mm
Box dimensions W x H x D	615 x 420 x 148mm
Weight (without box)	5.4kg

Weight (with box) 7.1kg

EAN code 4948570125791







All trademarks and registered trademarks acknowledged. E & O E. Specification subject to change without notice. All LCD's comply with ISO-9241-307:2008 in connection with pixel defects. © **IYAMA CORPORATION. ALL RIGHTS RESERVED**