

**TOUCHSCREENS****INFORMATION**

## 31.5" PCAP 10pt touchscreen PC with Android, PoE technology and iiSignage<sup>2</sup>



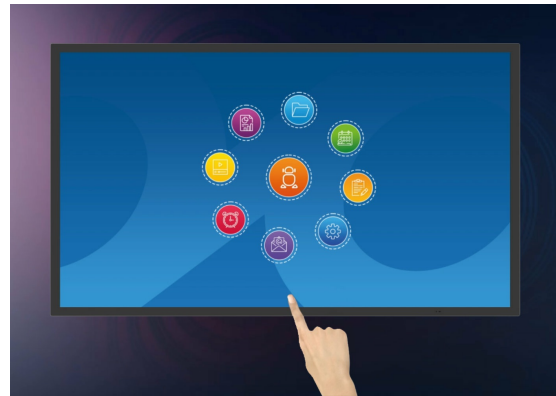
The ProLite TW3226AS-B3P is a smart and intuitive 31.5" Touch panel PC, designed for high-traffic environments such as meeting rooms, info points, or hospitality spaces. Its 10-point PCAP touch technology ensures smooth and precise interaction. Powered by Android 14, and equipped with powerful hardware, it allows easy installation of apps directly on the device - making it a all-in-one solution. Thanks to Power over Ethernet (PoE), both power and data are delivered through a single cable, simplifying installation and reducing additional cables.

With a built-in quad microphone and 5W speakers, the TW3226AS-B3P delivers seamless, modern interaction in any smart space. Additionally, it integrates effortlessly with [iiSignage<sup>2</sup>](#), iiyama's Content Management System (CMS), giving you full control over your messages and advertising, in landscape portrait and face-up position.



## Connectivity

The RJ45 (LAN) connector supporting Power over Ethernet technology (POE) allows to provide both data connection and power by a single cable, which simplifies installation in areas where many cables would interfere with the environment.



## Android OS

Thanks to Android OS, you can easily customize the display to your needs by installing applications directly to it.



## iiSignage<sup>2</sup>

iiSignage<sup>2</sup> is our digital signage content management platform to easily show and control your content and to manage your displays in a secure way. The Content Management System (CMS) gives you total control of your messaging and advertising remotely and safely.

## SPECIFICATION

### 01 DISPLAY CHARACTERISTICS

<b>Design</b>	Edge to edge glass
<b>Diagonal</b>	31.5", 80.1cm
<b>Panel</b>	VA
<b>Native resolution</b>	1920 x 1080 (2 megapixel HD)
<b>Aspect ratio</b>	16:9
<b>Panel brightness</b>	500 cd/m <sup>2</sup>
<b>Brightness</b>	430 cd/m <sup>2</sup> with touch
<b>Static contrast</b>	4000:1 with touch
<b>Response time (GTG)</b>	8ms
<b>Viewing zone</b>	horizontal/vertical: 178°/178°, right/left: 89°/89°, up/down: 89°/89°
<b>Colour support</b>	16.7mln 8bit
<b>Viewable area W x H</b>	698.4 x 392.8mm, 27.4 x 15.4"
<b>Pixel pitch</b>	0.3637mm
<b>Bezel colour and finish</b>	black, matte

### 02 TOUCH

<b>Touch technology</b>	projective capacitive
<b>Touch points</b>	10 (HID, only supported by integrated OS, external OS only support single touch)
<b>Touch method</b>	finger, glove (latex), capacitive stylus
<b>Touch interface</b>	USB
<b>Supported operating systems</b>	All iiyama monitors are Plug & Play and compatible with Windows and Linux. For details regarding the supported OS for the touch models, please refer to the driver instruction file available in the downloads section.

### 03 INTERFACES / CONNECTORS / CONTROLS

<b>Digital signal input</b>	HDMI x1 (HDMI, 1920x1080 @60Hz)
<b>Audio output</b>	Mini jack x1 Speakers 2 x 5W
<b>HDCP</b>	yes
<b>USB ports</b>	x3 (1x v. 3.2 (Gen 1, 5Gbit; DC5V, 900mA), 1x 2.0 (DC5V, 500mA), 1x USB-C (DC5V, 900mA (video output only, touch board function)))
<b>RJ45 (LAN)</b>	x1 (PoE - IEEE802.3bt/85W)
<b>Microphone</b>	x1 (Standard Quad Microphone)

### 04 FEATURES

<b>Integrated software</b>	Android 14
<b>CPU</b>	Rockchip RK3576 Octa-core A72*4 + A53*4 up to 2.2GHz
<b>GPU</b>	ARM-G52 MC3

<b>Storage</b>	32GB eMMC
<b>Memory</b>	4GB LPDDR4X
<b>WiFi</b>	IEEE802.11ax/ac/a/b/g/n
<b>Bluetooth</b>	5.3
<b>Extra</b>	Auto-rotation, anti-glare coating, PoE
<b>Kiosk mode</b>	yes
<b>Max. non-stop operating time</b>	24/7
<b>Glass hardness</b>	3H

## 05 GENERAL

<b>Control buttons</b>	Power switch, volume/ button +, volume/ button -
<b>Applications</b>	Applications: lock application, manage restart time, manage power on/off time, calculator, calendar, Chrome, alarm/clock/timer/stopwatch, manage files & folders, organize albums, Gmail, Google, iiSignage <sup>2</sup> , play audio files, Play store, system preferences, sound recorder, play video
<b>Flicker free</b>	yes

## 06 MECHANICAL

<b>Orientation</b>	landscape, portrait, face-up
<b>VESA mounting</b>	100 x 100mm
<b>Cable management system</b>	yes
<b>MTBF</b>	50000 hours

## 07 ACCESSORIES INCLUDED

<b>Cables</b>	power
<b>Guides</b>	quick start guide, safety guide
<b>Other</b>	AC adapter, wall mount (cover, cover screws, plugs) + screws, eva pads, spirit level
<b>Cable cover</b>	yes

## 08 POWER MANAGEMENT

<b>Power supply unit</b>	external
<b>Power supply</b>	DC 12 V
<b>Power usage</b>	36.34W typical, 0.5W stand by, 0.3W off mode

## 09 SUSTAINABILITY

<b>Regulations</b>	CE, EAC, RoHS support, ErP, WEEE, REACH, UKCA
<b>REACH SVHC</b>	above 0.1%: Lead

## 10 DIMENSIONS / WEIGHT

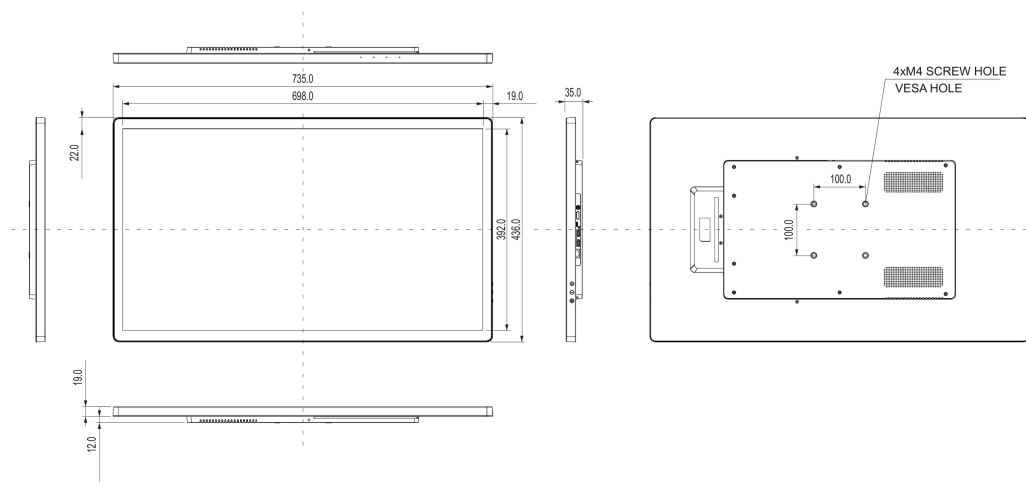
**Product dimensions** 735 x 436 x 35mm  
W x H x D

**Box dimensions W x H x D** 833 x 508 x 126mm

**Weight (without box)** 7.7kg

**Weight (with box)** 12.4kg

**EAN code** 4948570125708





All trademarks and registered trademarks acknowledged. E & O E. Specification subject to change without notice. All LCD's comply with ISO-9241-307:2008 in connection with pixel defects. © IYAMA CORPORATION. ALL RIGHTS RESERVED