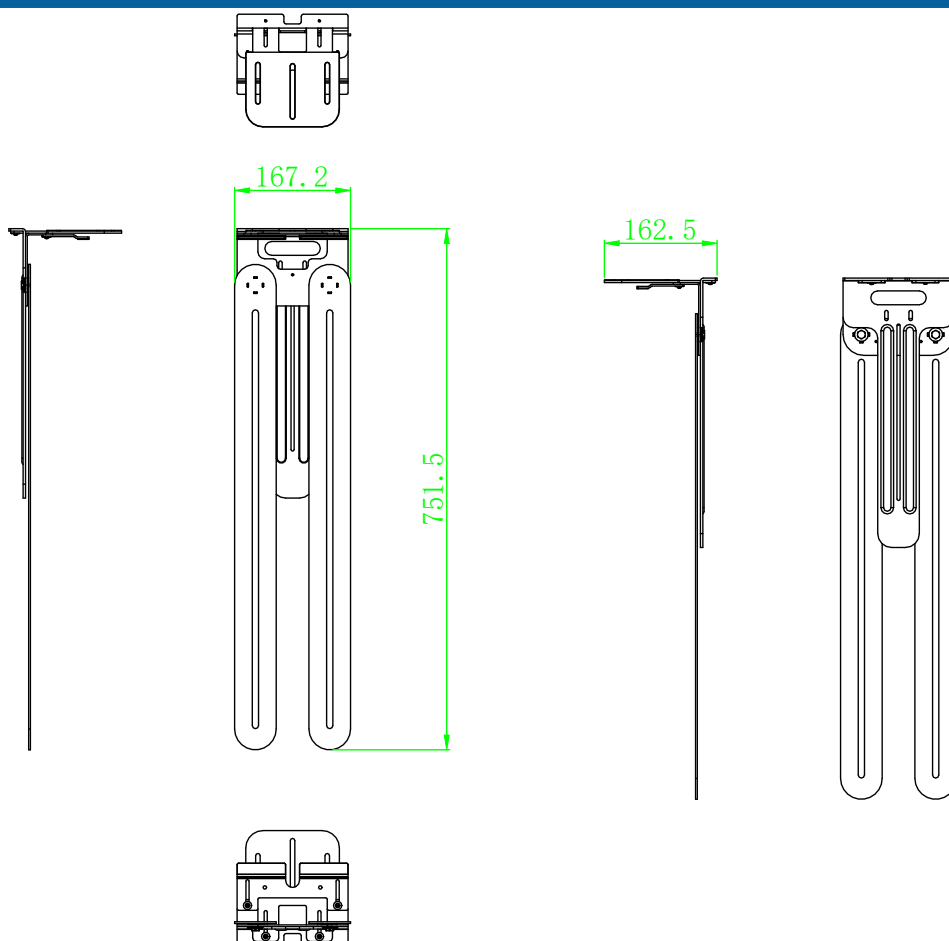


Product Specification

Dimensions



Physical Specifications

Dimension (L × W × H)	751.5 × 167.2 × 162.5mm
Dimension with Package (L × W × H)	835 × 225 × 79mm
Net Weight	3.1kg
Gross Weight	3.9kg
Color	black

Environmental Conditions

Operation Temperature	0°C~40°C
Operation Humidity	10%~90%RH
Storage Temperature	-20°C~60°C
Storage Humidity	10%~90%RH

Altitude

Below 5000 meters

Statement

The product pictures of this specification only indicate that there may be slight difference in product effects (included but not limited to appearance, color and size). Please refer to the product.

Due to the influence of product configuration and manufacturing process, the actual size/weight of the fuselage may differ.

In order to provide accurate specification parameters and product characteristics as much as possible, it is possible to adjust and revise the text description and picture effect of this specification in real time, so as to match the actual product performance, specifications and other information.No special notice will be given if necessary.