

**TOUCHSCREENS****INFORMATION**

## 10.1" PCAP 10pt touchscreen PC with Android, PoE Technology and iiSignage<sup>2</sup>



The ProLite TW1023AS-B3P is a smart and intuitive 10.1" Touch panel PC, designed for high-traffic environments such as meeting rooms, info points, or hospitality spaces. Its 10-point PCAP touch technology ensures smooth and precise interaction. Powered by Android 13, and equipped with powerful hardware, it allows easy installation of apps directly on the device - making it a all-in-one solution. Thanks to Power over Ethernet (PoE), both power and data are delivered through a single cable, simplifying installation and reducing additional cables.

With a built-in camera, microphone and speakers, the TW1023AS-B3P delivers seamless, modern interaction in any smart space. Additionally, it integrates effortlessly with [iiSignage<sup>2</sup>](#), iiyama's Content Management System (CMS), giving you full control over your messages and advertising, in landscape portrait and face-up position. Together with the built-in 5 megapixel camera, microphone and speakers it offers limitless, interactive installation possibilities.



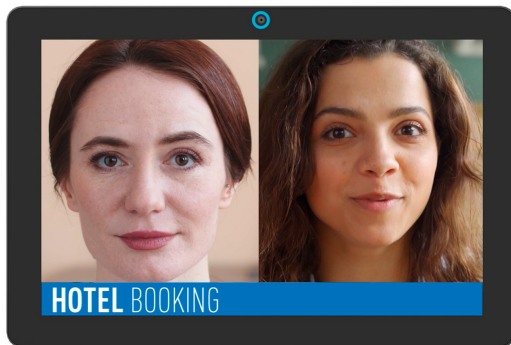
## Connectivity

The RJ45 (LAN) connector supporting Power over Ethernet technology (POE) allows to provide both data connection and power by a single cable, which simplifies installation in areas where many cables would interfere with the environment.



## Android OS

Thanks to Android OS, you can easily customize the display to your needs by installing applications directly to it.



## Build-in webcam, microphone and speakers

Making the screen a perfect solution for semi or fully automated reception solutions allowing businesses to track and manage visitor traffic at the front desk lobby without compromising on the safety and security of your staff, visitors and company assets.



## iiSignage<sup>2</sup>

iiSignage<sup>2</sup> is our digital signage content management platform to easily show and control your content and to manage your displays in a secure way. The Content Management System (CMS) gives you total control of your messaging and advertising remotely and safely.

## SPECIFICATION

### 01 DISPLAY CHARACTERISTICS

|                                |   |
|--------------------------------|---|
| <b>Design</b>                  | Edge to edge glass  |
| <b>Diagonal</b>                | 10.1", 25.5cm   |
| <b>Panel</b>                   | IPS   |
| <b>Native resolution</b>       | 1280 x 800 (1 megapixel HD)   |
| <b>Aspect ratio</b>            | 16:10   |
| <b>Panel brightness</b>        | 450 cd/m <sup>2</sup>   |
| <b>Brightness</b>              | 385 cd/m <sup>2</sup> with touch                                      |
| <b>Light transmittance</b>     | 86%   |
| <b>Static contrast</b>         | 1000:1 with touch   |
| <b>Response time (GTG)</b>     | 25ms  |
| <b>Viewing zone</b>            | horizontal/vertical: 160°/160°, right/left: 80°/80°, up/down: 80°/80° |
| <b>Colour support</b>          | 16.7mln 8bit  |
| <b>Viewable area W x H</b>     | 216.6 x 135.4mm, 8.5 x 5.3"   |
| <b>Pixel pitch</b>             | 0.1692mm  |
| <b>Bezel colour and finish</b> | black, matte  |

### 02 TOUCH

|                         |  |
|-------------------------|--|
| <b>Touch technology</b> | projective capacitive                    |
| <b>Touch points</b>     | 10                                       |
| <b>Touch method</b>     | finger, glove (latex), capacitive stylus |
| <b>Touch interface</b>  | USB                                      |

### 03 INTERFACES / CONNECTORS / CONTROLS

|                              |   |
|------------------------------|---|
| <b>Audio input</b>           | Mini jack x1  |
| <b>Digital signal output</b> | HDMI x1 (mini HDMI, 1280x720 @60Hz)   |
| <b>Audio output</b>          | Speakers 2 x 1.5W   |
| <b>USB ports</b>             | x4 (1 x 3.2 Gen1 (5Gbps, DC5V, 900mA), 2 x 2.0 (DC5V, 500mA), 1 x MICRO with OTG) |
| <b>RJ45 (LAN)</b>            | x1 (PoE - IEEE802.3 at/Max. 30W)  |
| <b>Microphone</b>            | x1  |

### 04 FEATURES

|                            |  |
|----------------------------|--|
| <b>Integrated software</b> | Android 13                             |
| <b>CPU</b>                 | Rockchip RK3568 Quad-core up to 2.0GHz |
| <b>GPU</b>                 | Mali G52                               |
| <b>Storage</b>             | 32GB eMMC                              |
| <b>Memory</b>              | 4GB LPDDR4X                            |

|                                     |   |
|-------------------------------------|---|
| <b>WiFi</b>                         | IEEE802.11a//b/g/n/ac   |
| <b>Bluetooth</b>                    | 5.2   |
| <b>Extra</b>                        | auto-rotation, webcam (5 megapixel), microphone, SD card slot, anti-fingerprint coating |
| <b>Kiosk mode</b>                   | yes   |
| <b>Max. non-stop operating time</b> | 24/7  |
| <b>Glass thickness</b>              | 1.25mm  |
| <b>Glass hardness</b>               | 6H  |
| <b>OSD key lock</b>                 | yes   |

## 05 GENERAL

|                        |  |
|------------------------|--|
| <b>Control buttons</b> | Power, home, brightness +, brightness -, volume +, volume -  |
| <b>Applications</b>    | lock applications, manage restart time, manage power on/off, calculator, calendar, Chrome, alarm/ clock/ timer/ stopwatch, manage files and folders, organize albums, Gmail, Google, iiSignage <sup>2</sup> , play audio files, Play store, system preferences, sound recorder, play video files |
| <b>Flicker free</b>    | yes  |

## 06 MECHANICAL

|                                |                              |
|--------------------------------|------------------------------|
| <b>Orientation</b>             | landscape, portrait, face-up |
| <b>Cable management system</b> | yes                          |

## 07 ACCESSORIES INCLUDED

|                    |   |
|--------------------|---|
| <b>Cables</b>      | power (2.5m)                              |
| <b>Guides</b>      | quick start guide, safety guide           |
| <b>Other</b>       | AC adapter, interchangeable plugs (EU/UK) |
| <b>Cable cover</b> | yes                                       |

## 08 POWER MANAGEMENT

|                          |   |
|--------------------------|---|
| <b>Power supply unit</b> | external                                  |
| <b>Power supply</b>      | DC 12 V                                   |
| <b>Power usage</b>       | 18W typical, 0.5W stand by, 0.3W off mode |

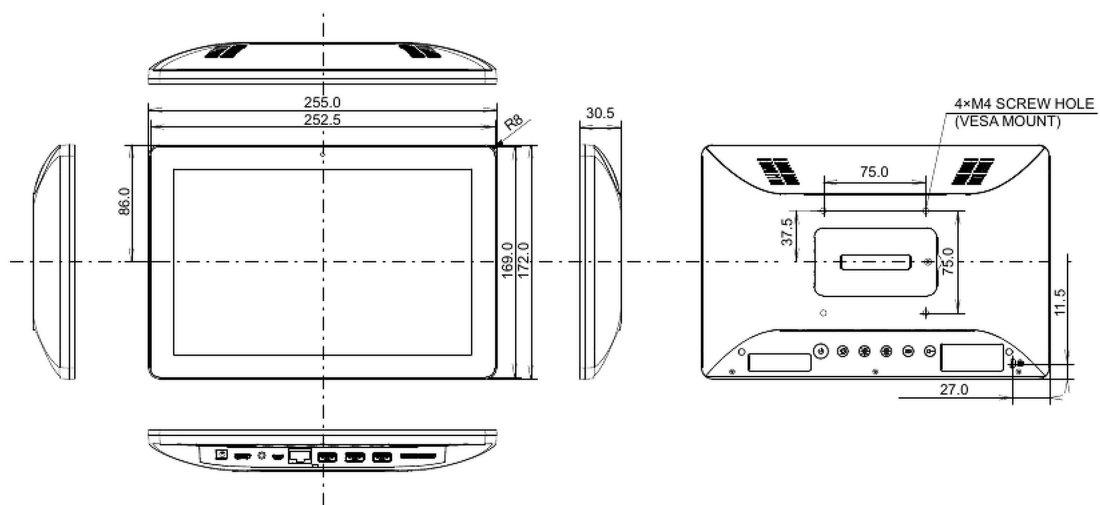
## 09 SUSTAINABILITY

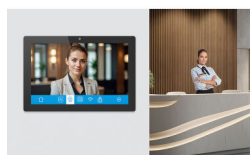
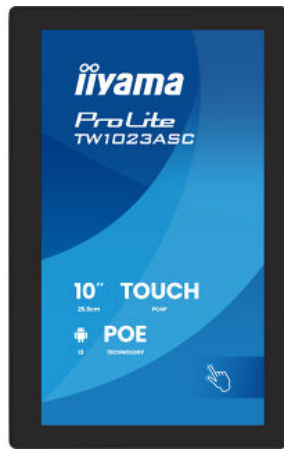
|                    |   |
|--------------------|---|
| <b>Regulations</b> | CE, EAC, RoHS support, ErP, WEEE, REACH, UKCA |
| <b>REACH SVHC</b>  | above 0.1%: Lead                              |

## 10 DIMENSIONS / WEIGHT

|                           |                    |
|---------------------------|--------------------|
| <b>Product dimensions</b> | 255 x 172 x 30.5mm |
| <b>W x H x D</b>          |                    |

|                                    |                      |
|------------------------------------|----------------------|
| <b>Box dimensions W x H x D</b>    | 398 x 223 x 68mm     |
| <b>Pallet volume</b>               | 256pcs               |
| <b>Pallet dimensions W x H x D</b> | 1000 x 1200 x 2150mm |
| <b>Weight (without box)</b>        | 0.8kg                |
| <b>Weight (with box)</b>           | 1.36kg               |
| <b>EAN code</b>                    | 4948570126927        |





All trademarks and registered trademarks acknowledged. E & O E. Specification subject to change without notice. All LCD's comply with ISO-9241-307:2008 in connection with pixel defects. © IIYAMA CORPORATION. ALL RIGHTS RESERVED