

TOUCHSCREENS**INFORMATION**

10.1" PCAP 10pt touchscreen PC with Android, PoE Technology and iiSignage²



The ProLite TW1023AS-B3P is a smart and intuitive 10.1" Touch panel PC, designed for high-traffic environments such as meeting rooms, info points, or hospitality spaces. Its 10-point PCAP touch technology ensures smooth and precise interaction. Powered by Android 13, and equipped with powerful hardware, it allows easy installation of apps directly on the device - making it a all-in-one solution. Thanks to Power over Ethernet (PoE), both power and data are delivered through a single cable, simplifying installation and reducing additional cables.

With a built-in camera, microphone and speakers, the TW1023AS-B3P delivers seamless, modern interaction in any smart space. Additionally, it integrates effortlessly with [iiSignage²](#), iiyama's Content Management System (CMS), giving you full control over your messages and advertising, in landscape portrait and face-up position. Together with the built-in 5 megapixel camera, microphone and speakers it offers limitless, interactive installation possibilities.



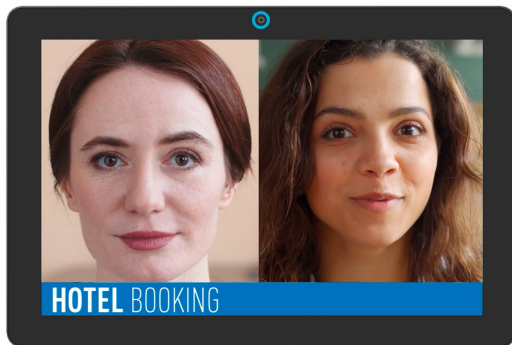
Connectivity

The RJ45 (LAN) connector supporting Power over Ethernet technology (POE) allows to provide both data connection and power by a single cable, which simplifies installation in areas where many cables would interfere with the environment.



Android OS

Thanks to Android OS, you can easily customize the display to your needs by installing applications directly to it.



Build-in webcam, microphone and speakers

Making the screen a perfect solution for semi or fully automated reception solutions allowing businesses to track and manage visitor traffic at the front desk lobby without compromising on the safety and security of your staff, visitors and company assets.



iiSignage²

iiSignage² is our digital signage content management platform to easily show and control your content and to manage your displays in a secure way. The Content Management System (CMS) gives you total control of your messaging and advertising remotely and safely.

SPECIFICATION

01 DISPLAY CHARACTERISTICS

Design	Edge to edge glass
Diagonal	10.1", 25.5cm
Panel	IPS
Native resolution	1280 x 800 (1 megapixel HD)
Aspect ratio	16:10
Panel brightness	450 cd/m ²
Brightness	385 cd/m ² with touch
Light transmittance	86%
Static contrast	1000:1 with touch
Response time (GTG)	25ms
Viewing zone	horizontal/vertical: 160°/160°, right/left: 80°/80°, up/down: 80°/80°
Colour support	16.7mln 8bit
Viewable area W x H	216.6 x 135.4mm, 8.5 x 5.3"
Pixel pitch	0.1692mm
Bezel colour and finish	black, matte

02 TOUCH

Touch technology	projective capacitive
Touch points	10
Touch method	finger, glove (latex), capacitive stylus
Touch interface	USB

03 INTERFACES / CONNECTORS / CONTROLS

Audio input	Mini jack x1
Digital signal output	HDMI x1 (mini HDMI, 1280x720 @60Hz)
Audio output	Speakers 2 x 1.5W
USB ports	x4 (1 x 3.2 Gen1 (5Gbps, DC5V, 900mA), 2 x 2.0 (DC5V, 500mA), 1 x MICRO with OTG)
RJ45 (LAN)	x1 (PoE - IEEE802.3 at/Max. 30W)
Microphone	x1

04 FEATURES

Integrated software	Android 13
CPU	Rockchip RK3568 Quad-core up to 2.0GHz
GPU	Mali G52
Storage	32GB eMMC
Memory	4GB LPDDR4X

WiFi	IEEE802.11a//b/g/n/ac
Bluetooth	5.2
Extra	auto-rotation, webcam (5 megapixel), microphone, SD card slot, anti-fingerprint coating
Kiosk mode	yes
Max. non-stop operating time	24/7
Glass thickness	1.25mm
Glass hardness	6H
OSD key lock	yes

05 GENERAL

Control buttons	Power, home, brightness +, brightness -, volume +, volume -
Applications	lock applications, manage restart time, manage power on/off, calculator, calendar, Chrome, alarm/ clock/ timer/ stopwatch, manage files and folders, organize albums, Gmail, Google, iiSignage ² , play audio files, Play store, system preferences, sound recorder, play video files
Flicker free	yes

06 MECHANICAL

Orientation	landscape, portrait, face-up
Cable management system	yes

07 ACCESSORIES INCLUDED

Cables	power (2.5m)
Guides	quick start guide, safety guide
Other	AC adapter, interchangeable plugs (EU/UK)
Cable cover	yes

08 POWER MANAGEMENT

Power supply unit	external
Power supply	DC 12 V
Power usage	18W typical, 0.5W stand by, 0.3W off mode

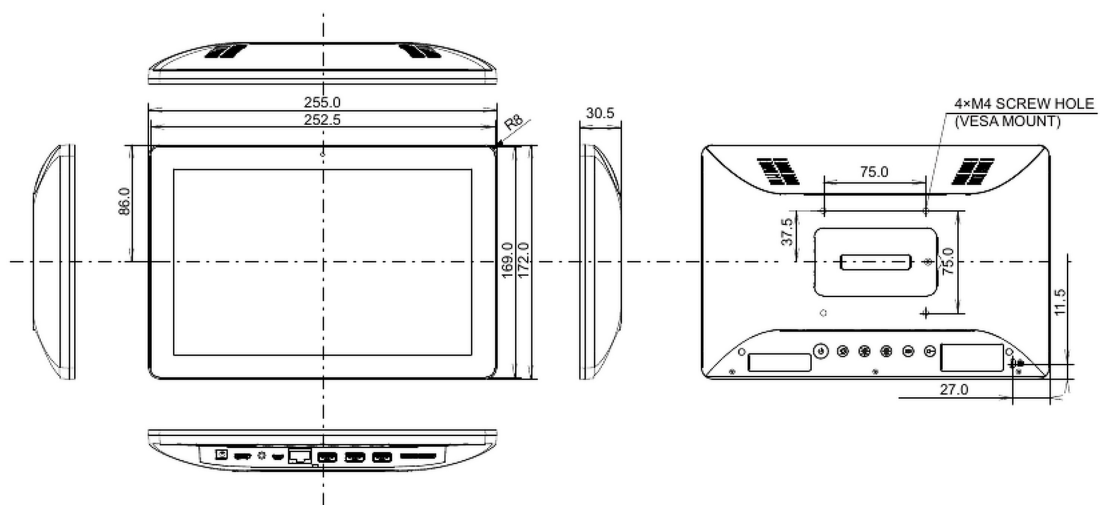
09 SUSTAINABILITY

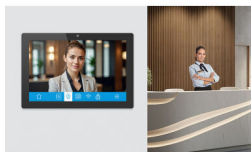
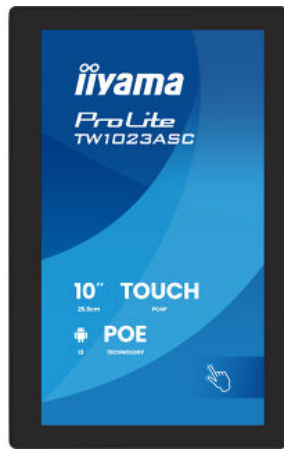
Regulations	CE, EAC, RoHS support, ErP, WEEE, REACH, UKCA
REACH SVHC	above 0.1%: Lead

10 DIMENSIONS / WEIGHT

Product dimensions	255 x 172 x 30.5mm
W x H x D	

Box dimensions W x H x D	398 x 223 x 68mm
Pallet volume	256pcs
Pallet dimensions W x H x D	1000 x 1200 x 2150mm
Weight (without box)	0.8kg
Weight (with box)	1.36kg
EAN code	4948570126927





All trademarks and registered trademarks acknowledged. E & O E. Specification subject to change without notice. All LCD's comply with ISO-9241-307:2008 in connection with pixel defects. © IIYAMA CORPORATION. ALL RIGHTS RESERVED