

30 in. Microwave Drawer™ Oven

SMD3070ASY



- Automatic drawer system, opens with a press of a button and gently closes with a soft nudge
- Hidden Touch Glass Panel Opens at 45°
- Sensor Cook Menu for Precise Cooking and Reheating
- Fits a 20 oz. Cup or 4 qt. Casserole Dish
- Install Below an Island, Peninsula, or Standard Cabinetry
- Built-In Airflow Control for Flush Installation

FEATURES

Finish	Stainless Steel
Drawer Opening	Automatic Door, Open/Close Button
Width	30"
Capacity (cu. ft.)	1.2
Output Power (watts)	950
Open/Close	Yes
Start/+30 Sec	Yes
Stop/Clear	Yes
Power Level	00
Minute Plus™	Yes
Interior Light	Yes
Kitchen Timer	Yes
Clock	Yes
Control Lock	Yes
Demo Mode	Yes
Built-In Ready for Easy Installation	Yes

CONTROL PANEL

Control Panel Location	Center/Top
Control Panel Type	Touchpad, Drop-Down 45° Angle
Display Type	LCD
Display Color	White on Black Background

COOKING / MENU PRESETS

Sensor Cook, Reheat and Popcorn	Yes, 12 settings
Reheat Auto Settings	2 settings
Defrost Auto Settings	6 settings
Microwave Keep Warm Setting	Yes, up to 30 minutes

ADDITIONAL FEATURES

Flush Mount Ready	Yes, (Kit Sold Separately)
-------------------	----------------------------

OPTIONAL ACCESSORY

30" Flush Mount Deflector Vent	SKMD30FOAS
Flush Mount Deflector Vent Kit	(1) PREF-B020MRPO (2) LX-CZB055MRE0

ADDITIONAL SPECIFICATIONS

Power Ratings:	120V, 60Hz / 1.67kW, 14.5 Amps
----------------	--------------------------------

DIMENSIONS & WEIGHT (IN./LBS.) (W X H X D)

Interior Cavity Dimensions	17-5/16" x 7-1/8" x 16-9/16"
Product Dimensions	30" x 15-7/8" x 23"
Shipping Dimensions	29" x 21-3/4" x 33-3/4"
Product Weight / Shipping Weight	79.0 lbs. / 91.5 lbs.
Standard Mount Cutout Dimensions	22-1/8" x 15-9/16" x 23-1/2"
Flush Mount Cutout Dimensions	30-5/16" x 16-7/8" x 23-1/2"

WARRANTY/UPC

Parts	1 Year (In-Home Limited)
Labor	1 Year (In-Home Limited)
Magnetron Tube	4 Years Additional (Parts Only)
UPC	074000619579



The following are measurements only.
Do not use to install microwave drawer™ oven.

For detailed installation instructions, please refer to the installation manual.

PRODUCT DIMENSIONS

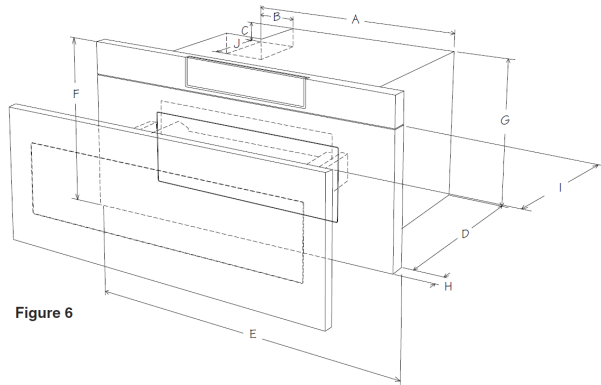
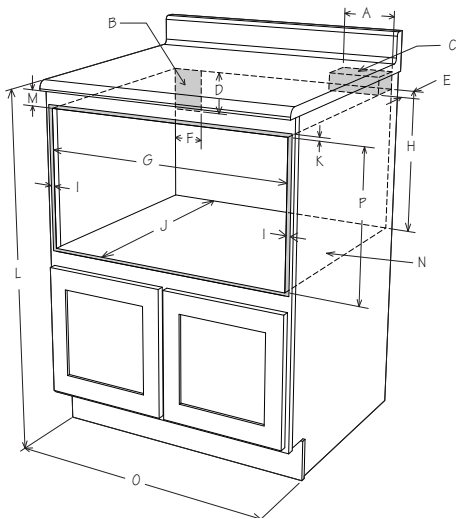


Figure 6

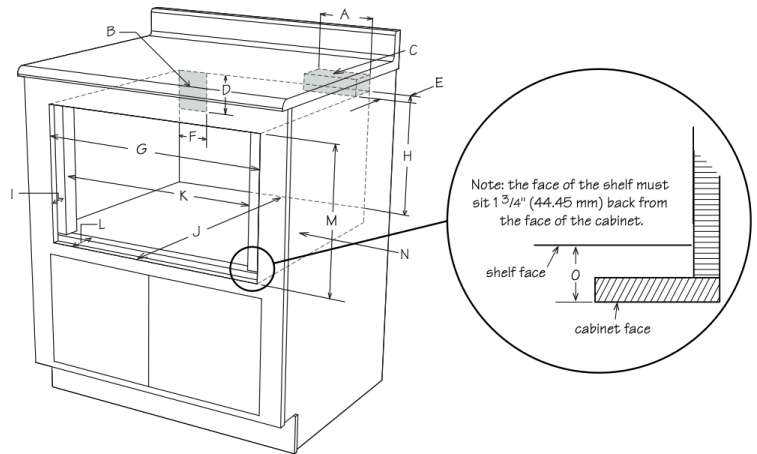
- A. 21-5/8" (549.28 mm)
- B. 4-11/16" (119.06 mm)
- C. 1-3/4" (44.45 mm)
- D. 21-3/4" (552.45 mm)
- E. 30" (762 mm)
- F. 15-7/8" (403.23 mm)
- G. 14-19/32" (370.68 mm)
- H. 1-1/4" (31.75 mm) door thickness
- I. 15" (381 mm) auto drawer opening
- J. 4" (101.6 mm)

STANDARD MOUNT MEASUREMENTS



- A. 6" (152.4 mm)
- B. Suggested outlet location*
- C. Anti-Tip block
- D. 5" (127 mm)
- E. 3-1/2" (88.9 mm)
- F. 4" (101.6 mm)
- G. 22-1/8" (561.98 mm) minimum
28 7/16" (722.31 mm) maximum
- H. 14-13/16" (376.24 mm) to bottom of
Anti-Tip block
- I. Allow 7/8" (22.23 mm) overlap
- J. 23-1/2" (596.9 mm) minimum depth
- K. Allow 3/16" (4.76 mm) overlap
- L. 36" (914.4 mm) countertop height
- M. Allow 7/16" (11.11 mm) minimum
space
- N. Floor must support 100 lb
- O. 24" (609.6 mm) cabinet minimum

FLUSH MOUNT MEASUREMENTS WITH DEFLECTOR VENT



- A. 6" (152.40 mm)
- B. Suggested electrical outlet location
- C. Anti-Tip block
- D. 5" (127 mm)
- E. 3-1/2" (88.90 mm)
- F. 4" (101.60 mm)
- G. 30-5/16" (769.92 mm) minimum
30-5/8" (777.87 mm) maximum
- H. 14-13/16" (376.24 mm) to bottom of
Anti-Tip block
- I. 1-1/16" (26.97 mm)
- J. 23-1/2" (596.90 mm) minimum depth
- K. 28-7/16" (722.3 mm)
- L. 1-3/4" (44.45 mm)
- M. 16-7/8" (428.62 mm) opening
- N. Floor must support 100 lb (45.4 kg)
- O. 1-3/4" (44.45 mm)