

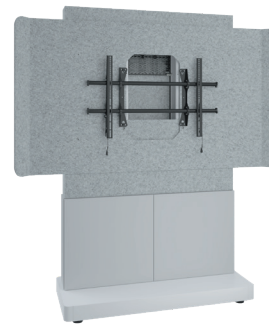


DISPLAY STAND

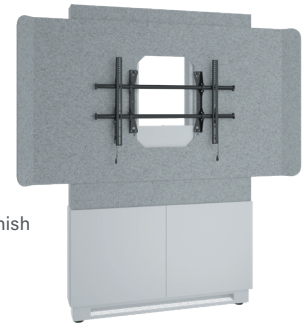
This is how Hybrid works. Forum™ has a Free Standing or Floor-to-Wall mounted Display Stand with an included Chief Fusion display mount that can be paired with Forum Angle, Arc or Rectangle shaped tables to define your space for hybrid collaboration.

FEATURES

- Free standing or floor-to-wall mounted with an included Chief Fusion Display Mount
- 4RU of vertical equipment mounting with access via doors on the front and panels on the back (rear panels on free-standing models only)
- Included Lever Lock™ plate with optional Lever Lock kit for more small device mounting
- Includes display shroud (multiple sizes available for single displays ranging from 42" to 105" and dual displays ranging from 50" to 75")
- Stand and included display shroud wrapped in acoustic felt material to limit audio reverberation for the highest quality audio experience for local and remote participants
- The slim base on the free-standing and floor-to-wall takes up minimal floor space and can accept Wiremold OFR and Connectrac raceways underneath with the 1" leveling foot



Forum™ Free-Standing Display Stand in Light Finish



Forum™ Floor to Wall Display Stand in Light Finish



Forum™ Free-Standing Display Stand in Dark Finish



Forum™ Floor to Wall Display Stand in Dark Finish

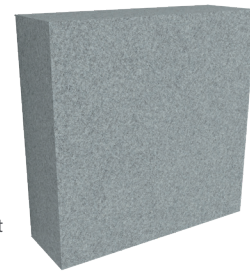
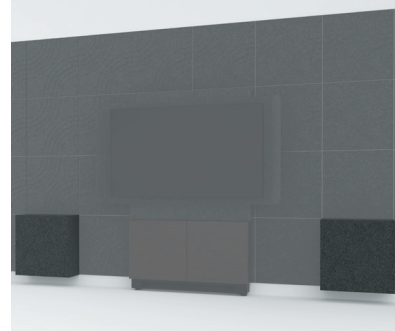


ADA-COMPLIANT WALL TILES

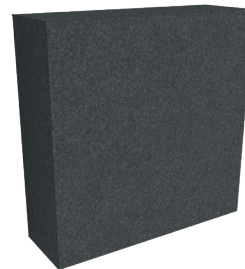
The Forum™ ADA-Compliant Wall Tiles from Middle Atlantic are designed for seamless integration with the Forum Floor-to-Wall Display Stand. When installed, these tiles provide a person with sufficient time to detect the display stand with a cane ahead of coming in direct body contact. This thoughtful accessory is also retrofittable, accommodating existing installations effortlessly.

FEATURES

- 24"W x 24"H x 8"D acoustic PET felt wall tiles
- Ideal for anywhere the Forum Floor-to-Wall Display Stand goes, including conference rooms, offices, and educational facilities
- Retrofittable to accommodate existing installations
- Improves noise and reverberation levels
- Custom color capabilities
- Packed flat for easy transportability
- Assembly required
- Minimalistic cleat hardware allows for wall-mounted installation
- Sold in pairs



Forum™ ADA-Compliant
Wall Tiles Silver Gray



Forum™ ADA-Compliant
Wall Tiles Charcoal Gray



DISPLAY STAND

SPECIFICATIONS

The Forum Display Stand shall be Middle Atlantic Products model # _____ (refer to chart). The Forum Display Stand shall be offered in free standing or floor-to-wall mounted versions. Overall dimensions of the Forum Display Stand shall be ___"H x ___" W x ___"D (see drawing). The Forum Display Stand display height shall be from ___ to ___ (refer to chart). The Forum Display Stand shall include a Chief Fusion Display Mount supporting up to ___" displays (refer to chart) and supports ___lbs (refer to chart). The Forum Display Stand shall have pre-installed leveling glides.

The Forum Display Stand shall have a _____ (refer to chart) finish. The Forum Display Stand shall include a display shroud. The Forum Display Stand shall have a steel subframe. The Forum Display Stand shall have an acoustic felt made from polyethylene terephthalate (PET) covering (Upper 2/3) and high pressure laminate (lower 1/3). The Forum Display Stand shall provide 2x 2 rackspace vertical mounting (4RU total) with a maximum of ___" usable depth (refer to drawing) and 100lbs weight capacity (50lbs per bay). The Forum Display Stand shall include a Lever Lock plate: (LL-VP2110). To add more Lever Lock in the same area, see the option Lever Lock kit (DSA-DW-LLKIT1 for use with 48" models).

The Forum Display Stand shall have knockouts for six AVIP panels and two Single Gang Box knockouts. The Forum Display Stand shall accommodate one display and have horizontal VESA mounting patterns of 300, 400, 500, 600 and 800, and a vertical VESA pattern of 100, 200, 300 and 400. The Forum Display Stand shall have an overall weight capacity of ___lbs (refer to chart), with no more than ___lbs (refer to chart) for the monitor. The Forum Display Stand shall be warranted to be free from defects in material or workmanship under normal use and conditions for 10 years, sheet metal components shall be warranted to be free from defects in material or workmanship under normal use and conditions for 25 years. The Forum Display Stand shall be manufactured by an ISO 9001 and ISO 14001 registered company.

For specifications on the acoustic felt made from polyethylene terephthalate (PET) please visit www.focalpointlights.com/reference

EIA/TIA COMPLIANT

ISO 9001 and ISO 14001

Free-Standing Display Stand Acoustic Performance

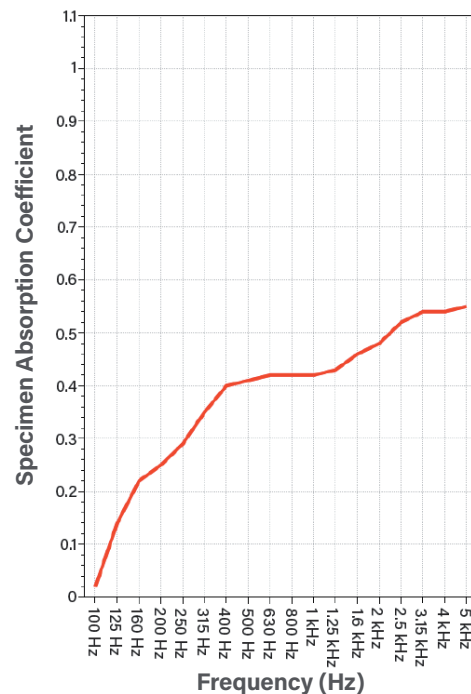
Acoustic testing was performed by Riverbank Acoustical Laboratories on the Forum™ Collaboration Suite Free-Standing Display Stand (Part Number: FM-DS-6675FS-JD8W), with the stand mounting performed according to ASTM E795-23 and ASTM C423-23. **The Display Stand in this test provided an NRC value of 0.40 in our test.**

Please note that results may vary based on the installation and configuration of the Display Stand.

The ASTM C423-23 test report can be obtained upon request by contacting av.middleatlantic.techsupport@legrand.com.

Sound Absorption Report

Forum Collaboration Suite Display Stand



What is NRC?

Noise Reduction Coefficient (NRC) is the average of how absorptive a material is at various frequencies within the human speech frequency range. Two materials with the same rating may not perform the same in application. Typically, an NRC of 0 indicates perfect reflection and an NRC of 1 is designated as perfect absorption.

Example: If you have a ceiling with an NRC of 0.70, this means 70% of sound is absorbed into the ceiling. The other 30% is dissipated into the space. The higher the NRC, the less echo (reverberation) in the space.



ADA-COMPLIANT WALL TILES

SPECIFICATIONS

The Forum ADA-Compliant Wall Tiles Middle Atlantic Products model # ____ (refer to chart). The Forum ADA-Compliant Panel Wall Tiles shall include two 24"W x 24"H x 8"D PET felt wall tiles. Material is 100% polyester containing up to 50% of recycled plastic bottles (PET felt) and is moisture resistant.

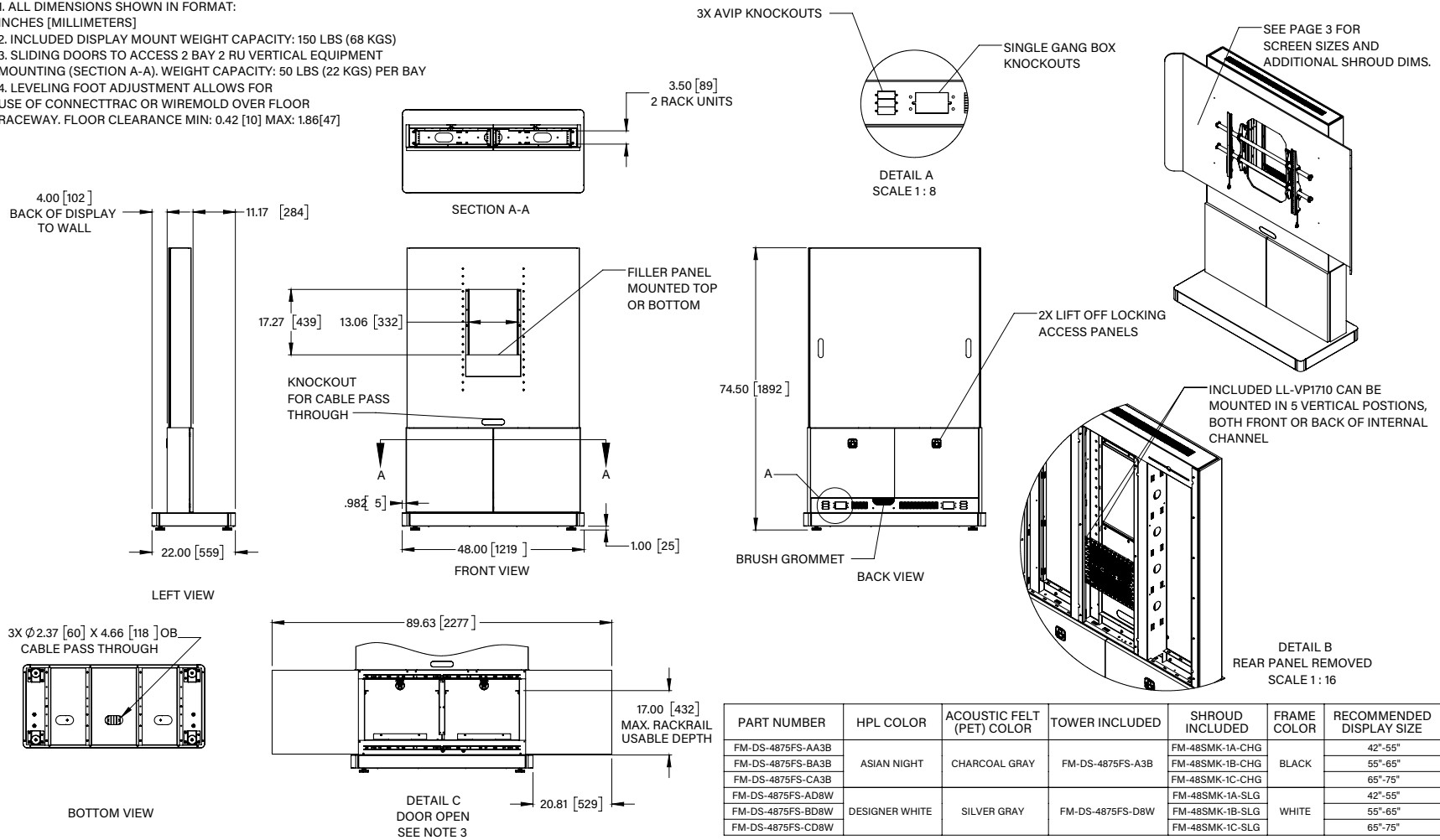
For specifications on the acoustic felt made from polyethylene terephthalate (PET) please visit www.focalpointlights.com/reference

FORUM™ DISPLAY STAND

BASIC DIMENSIONS

NOTE(S):

1. ALL DIMENSIONS SHOWN IN FORMAT: INCHES [MILLIMETERS]
2. INCLUDED DISPLAY MOUNT WEIGHT CAPACITY: 150 LBS (68 KGS)
3. SLIDING DOORS TO ACCESS 2 BAY 2 RU VERTICAL EQUIPMENT MOUNTING (SECTION A-A). WEIGHT CAPACITY: 50 LBS (22 KGS) PER BAY
4. LEVELING FOOT ADJUSTMENT ALLOWS FOR USE OF CONNECTTRAC OR WIREMOLD OVER FLOOR RACEWAY. FLOOR CLEARANCE MIN: 0.42 [10] MAX: 1.86[47]



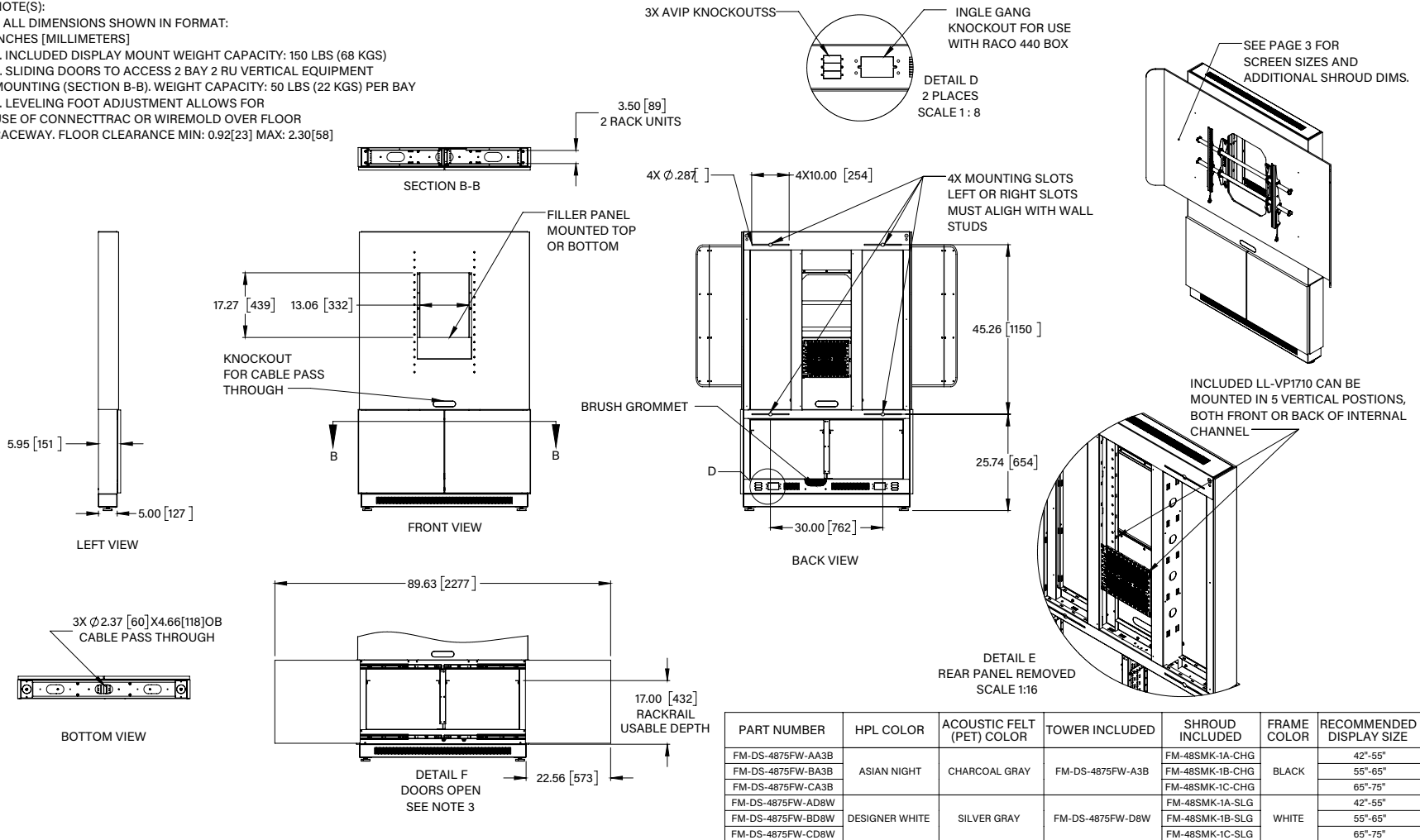
PART NUMBER	HPL COLOR	ACOUSTIC FELT (PET) COLOR	TOWER INCLUDED	SHROUD INCLUDED	FRAME COLOR	RECOMMENDED DISPLAY SIZE
FM-DS-4875FS-AA3B	ASIAN NIGHT	CHARCOAL GRAY	FM-DS-4875FS-A3B	FM-48SMK-1A-CHG	BLACK	42"-55"
FM-DS-4875FS-BA3B				FM-48SMK-1B-CHG		55"-65"
FM-DS-4875FS-CA3B				FM-48SMK-1C-CHG		65"-75"
FM-DS-4875FS-AD8W	DESIGNER WHITE	SILVER GRAY	FM-DS-4875FS-D8W	FM-48SMK-1A-SLG	WHITE	42"-55"
FM-DS-4875FS-BD8W				FM-48SMK-1B-SLG		55"-65"
FM-DS-4875FS-CD8W				FM-48SMK-1C-SLG		65"-75"

FORUM™ DISPLAY STAND

BASIC DIMENSIONS

NOTE(S):

1. ALL DIMENSIONS SHOWN IN FORMAT: INCHES [MILLIMETERS]
2. INCLUDED DISPLAY MOUNT WEIGHT CAPACITY: 150 LBS (68 KGS)
3. SLIDING DOORS TO ACCESS 2 BAY 2 RU VERTICAL EQUIPMENT MOUNTING (SECTION B-B). WEIGHT CAPACITY: 50 LBS (22 KGS) PER BAY
4. LEVELING FOOT ADJUSTMENT ALLOWS FOR USE OF CONNECTRAC OR WIREMOLD OVER FLOOR RACEWAY. FLOOR CLEARANCE MIN: 0.92[23] MAX: 2.30[58]



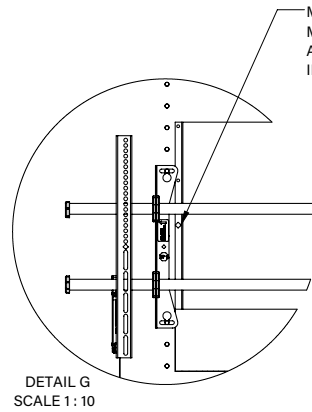
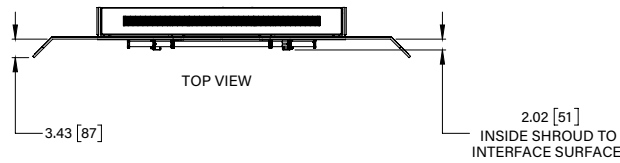
PART NUMBER	HPL COLOR	ACOUSTIC FELT (PET) COLOR	TOWER INCLUDED	SHROUD INCLUDED	FRAME COLOR	RECOMMENDED DISPLAY SIZE
FM-DS-4875FW-AA3B	ASIAN NIGHT	CHARCOAL GRAY	FM-DS-4875FW-A3B	FM-48SMK-1A-CHG	BLACK	42"-55"
FM-DS-4875FW-BA3B				FM-48SMK-1B-CHG		55"-65"
FM-DS-4875FW-CA3B				FM-48SMK-1C-CHG		65"-75"
FM-DS-4875FW-AD8W	DESIGNER WHITE	SILVER GRAY	FM-DS-4875FW-D8W	FM-48SMK-1A-SLG	WHITE	42"-55"
FM-DS-4875FW-BD8W				FM-48SMK-1B-SLG		55"-65"
FM-DS-4875FW-CD8W				FM-48SMK-1C-SLG		65"-75"

FORUM™ DISPLAY STAND

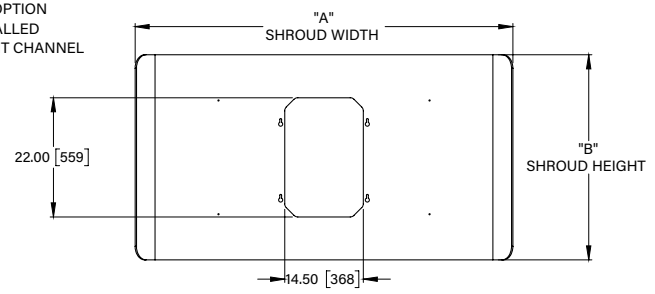
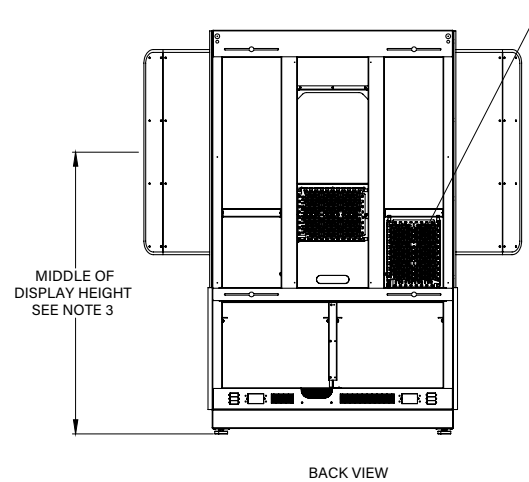
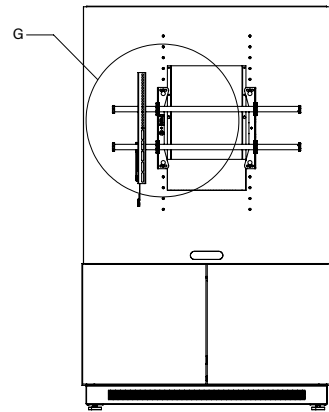
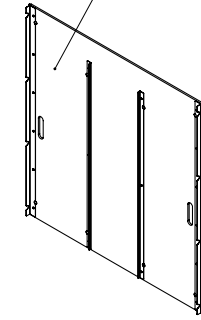
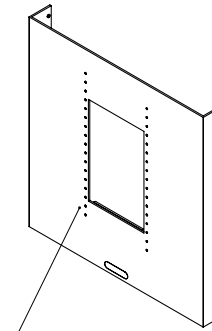
BASIC DIMENSIONS

NOTE(S):

1. ALL DIMENSIONS SHOWN IN FORMAT: INCHES [MILLIMETERS]
2. CHIEF FIXED FUSION DISPLAY MOUNT
WEIGHT CAPACITY: 150LBS (68 KGS)
COMPATIBLE VESA MOUNTING PATTERNS: 100mm X 100mm - 870mm X 500mm
WORKS WITH CHIEF FUSION ACCESSORIES, SEE LEGRANDAV.COM FOR COMPLETE LIST OF SKUS
3. MIDDLE OF DISPLAY HEIGHT(2" INCREMENTS):
MINIMUM HEIGHT: 44.00 [1117]
MAXIMUM HEIGHT: 62.00 [1574]
4. DSA-DW-LLKIT1 INCLUDES 1X LL-VP2110



ACOUSTIC FELT (PET) REAR PANEL, MAGNETIC ATTACHMENT INCLUDED ONLY ON FREE STANDING SKUS



PART NUMBER	"A" SHROUD WIDTH	"B" SHROUD HEIGHT	RECOMMENDED DISPLAY SIZE	COLOR
FM-48SMK-1A-CHG	61.01[1550]	32.96[837]	42"-55"	CHARCOAL GRAY
FM-48SMK-1B-CHG	69.72[1771]	37.87[962]	55"-65"	
FM-48SMK-1C-CHG	78.44[1992]	42.77[1086]	65"-75"	
FM-48SMK-1A-SLG	61.01[1550]	32.96[837]	42"-55"	SILVER GRAY
FM-48SMK-1B-SLG	69.72[1771]	37.87[962]	55"-65"	
FM-48SMK-1C-SLG	78.44[1992]	42.77[1086]	65"-75"	

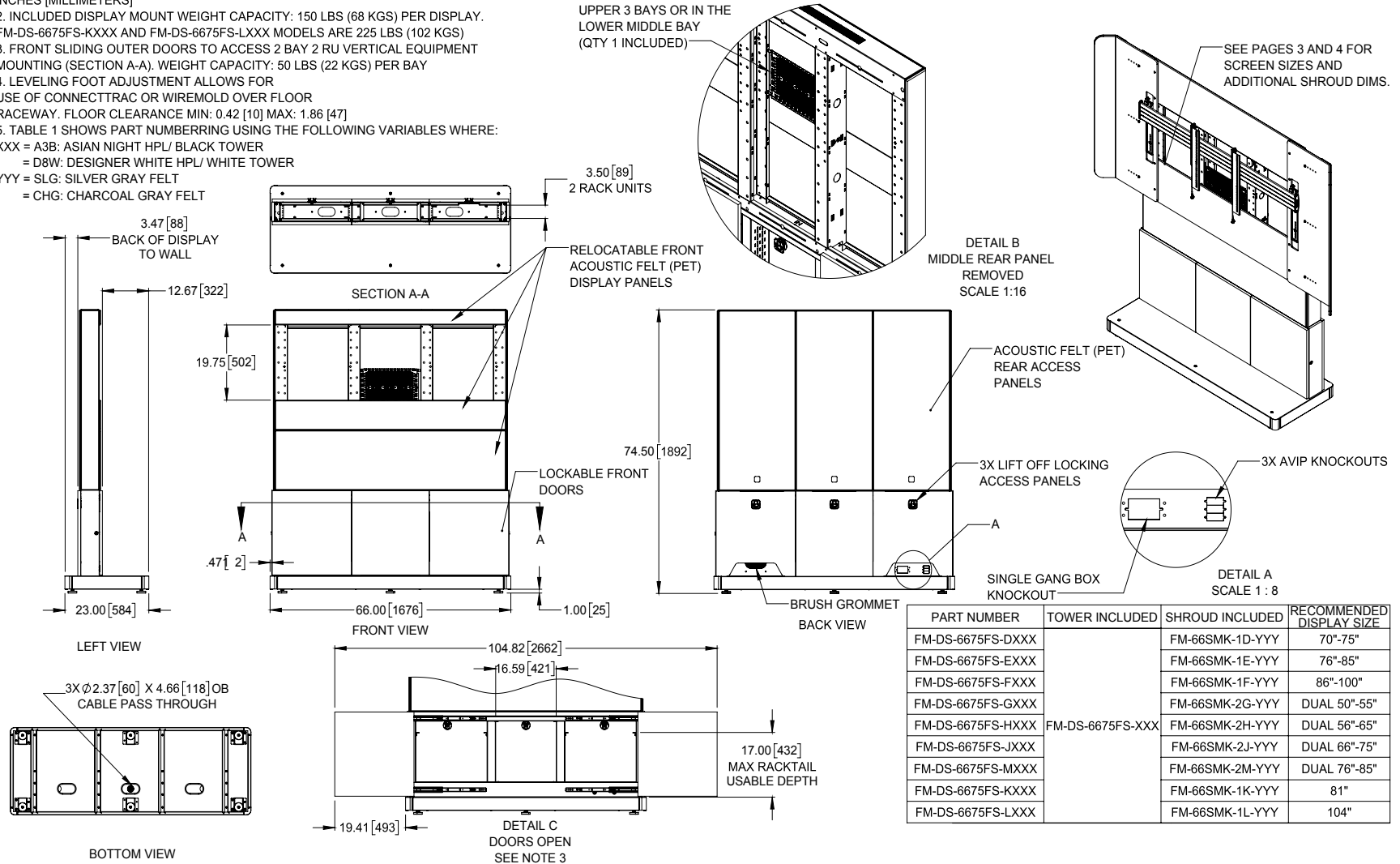
FORUM™ DISPLAY STAND

BASIC DIMENSIONS

NOTE(S):

1. ALL DIMENSIONS SHOWN IN FORMAT: INCHES [MILLIMETERS]
2. INCLUDED DISPLAY MOUNT WEIGHT CAPACITY: 150 LBS (68 KGS) PER DISPLAY. FM-DS-6675FS-KXXX AND FM-DS-6675FS-LXXX MODELS ARE 225 LBS (102 KGS)
3. FRONT SLIDING OUTER DOORS TO ACCESS 2 BAY 2 RU VERTICAL EQUIPMENT MOUNTING (SECTION A-A). WEIGHT CAPACITY: 50 LBS (22 KGS) PER BAY
4. LEVELING FOOT ADJUSTMENT ALLOWS FOR USE OF CONNECTTRAC OR WIREMOLD OVER FLOOR RACEWAY. FLOOR CLEARANCE MIN: 0.42 [10] MAX: 1.86 [47]
5. TABLE 1 SHOWS PART NUMBERRING USING THE FOLLOWING VARIABLES WHERE:
 XXX = A3B: ASIAN NIGHT HPL/ BLACK TOWER
 = D8W: DESIGNER WHITE HPL/ WHITE TOWER
 YYY = SLG: SILVER GRAY FELT
 = CHG: CHARCOAL GRAY FELT

LL-VP2110 CAN BE INSTALLED IN MULTIPLE LOCATIONS IN ANY OF THE UPPER 3 BAYS OR IN THE LOWER MIDDLE BAY (QTY 1 INCLUDED)



PART NUMBER	TOWER INCLUDED	SHROUD INCLUDED	RECOMMENDED DISPLAY SIZE
FM-DS-6675FS-DXXX		FM-66SMK-1D-YYY	70"-75"
FM-DS-6675FS-EXXX		FM-66SMK-1E-YYY	76"-85"
FM-DS-6675FS-FXXX		FM-66SMK-1F-YYY	86"-100"
FM-DS-6675FS-GXXX		FM-66SMK-2G-YYY	DUAL 50"-55"
FM-DS-6675FS-HXXX	FM-DS-6675FS-XXX	FM-66SMK-2H-YYY	DUAL 56"-65"
FM-DS-6675FS-JXXX		FM-66SMK-2J-YYY	DUAL 66"-75"
FM-DS-6675FS-MXXX		FM-66SMK-2M-YYY	DUAL 76"-85"
FM-DS-6675FS-KXXX		FM-66SMK-1K-YYY	81"
FM-DS-6675FS-LXXX		FM-66SMK-1L-YYY	104"

FORUM™ DISPLAY STAND

BASIC DIMENSIONS

NOTE(S):

1. ALL DIMENSIONS SHOWN IN FORMAT:
INCHES [MILLIMETERS]

2. INCLUDED DISPLAY MOUNT WEIGHT CAPACITY: 150 LBS (68 KGS) PER DISPLAY.
FM-DS-6675FS-KXXX AND FM-DS-6675FS-LXXX MODELS ARE 225 LBS (102 KGS)

3. FRONT SLIDING OUTER DOORS TO ACCESS 2 BAY 2 RU VERTICAL EQUIPMENT MOUNTING (SECTION A-A). WEIGHT CAPACITY: 50 LBS (22 KGS) PER BAY

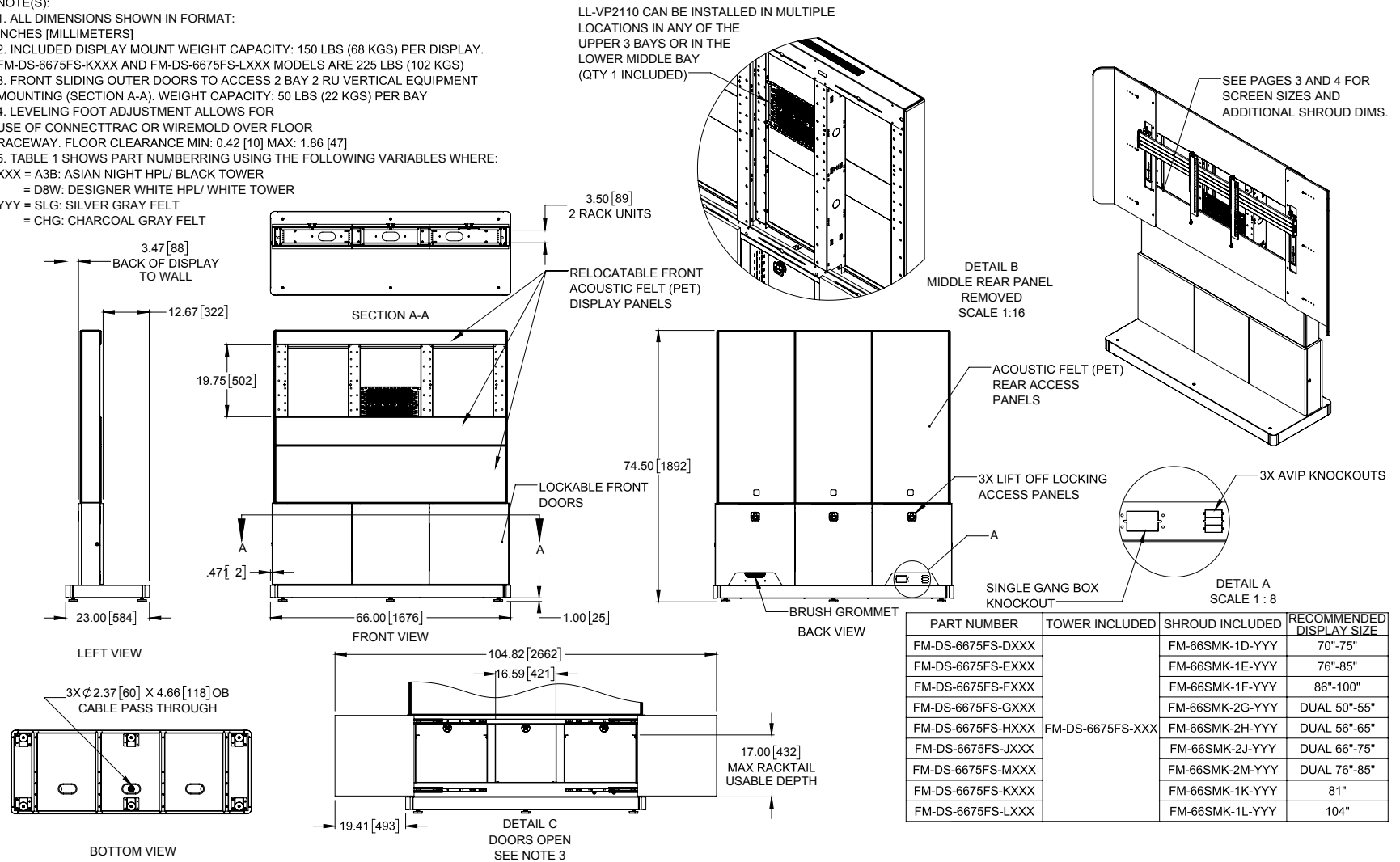
4. LEVELING FOOT ADJUSTMENT ALLOWS FOR USE OF CONNECTRAC OR WIREMOLD OVER FLOOR RACEWAY. FLOOR CLEARANCE MIN: 0.42 [10] MAX: 1.86 [47]

5. TABLE 1 SHOWS PART NUMBERRING USING THE FOLLOWING VARIABLES WHERE:
XXX = A3B: ASIAN NIGHT HPL/ BLACK TOWER

= D8W: DESIGNER WHITE HPL/ WHITE TOWER

YYY = SLG: SILVER GRAY FELT

= CHG: CHARCOAL GRAY FELT



PART NUMBER	TOWER INCLUDED	SHROUD INCLUDED	RECOMMENDED DISPLAY SIZE
FM-DS-6675FS-DXXX		FM-66SMK-1D-YYY	70"-75"
FM-DS-6675FS-EXXX		FM-66SMK-1E-YYY	76"-85"
FM-DS-6675FS-FXXX		FM-66SMK-1F-YYY	86"-100"
FM-DS-6675FS-GXXX		FM-66SMK-2G-YYY	DUAL 50"-55"
FM-DS-6675FS-HXXX	FM-DS-6675FS-XXX	FM-66SMK-2H-YYY	DUAL 56"-65"
FM-DS-6675FS-JXXX		FM-66SMK-2J-YYY	DUAL 66"-75"
FM-DS-6675FS-MXXX		FM-66SMK-2M-YYY	DUAL 76"-85"
FM-DS-6675FS-KXXX		FM-66SMK-1K-YYY	81"
FM-DS-6675FS-LXXX		FM-66SMK-1L-YYY	104"

FORUM™ DISPLAY STAND

BASIC DIMENSIONS

NOTE(S):

1. ALL DIMENSIONS SHOWN IN FORMAT:

INCHES [MILLIMETERS]

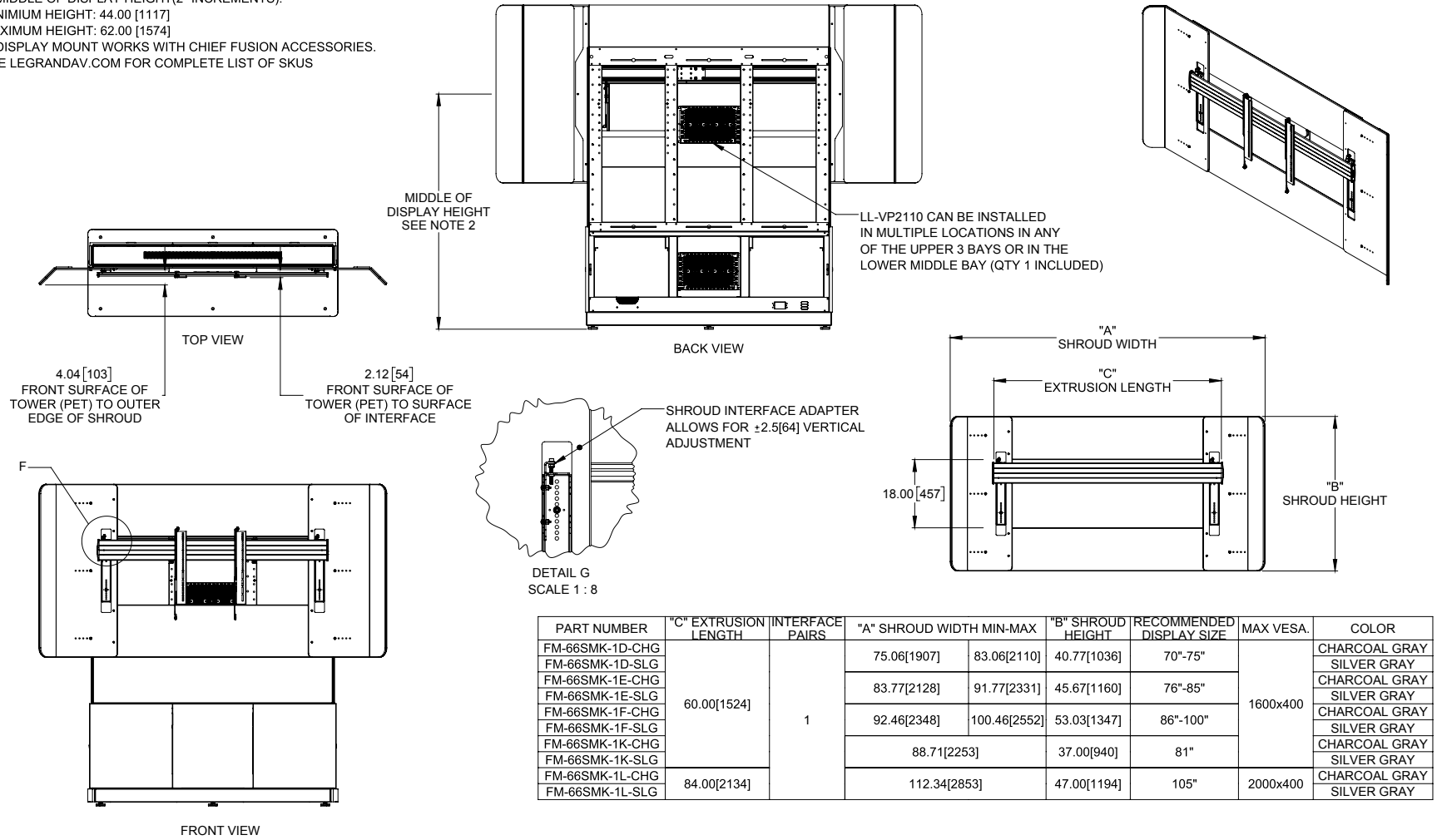
2. MIDDLE OF DISPLAY HEIGHT(2" INCREMENTS):

MINIMUM HEIGHT: 44.00 [1117]

MAXIMUM HEIGHT: 62.00 [1574]

3. DISPLAY MOUNT WORKS WITH CHIEF FUSION ACCESSORIES.

SEE LEGRANDAV.COM FOR COMPLETE LIST OF SKUS



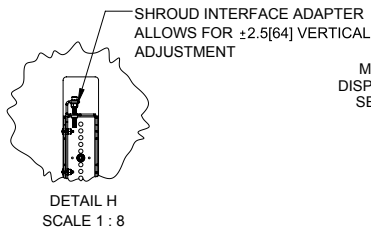
PART NUMBER	"C" EXTRUSION LENGTH	INTERFACE PAIRS	"A" SHROUD WIDTH MIN-MAX	"B" SHROUD HEIGHT	RECOMMENDED DISPLAY SIZE	MAX VESA.	COLOR	
FM-66SMK-1D-CHG	60.00[1524]	1	75.06[1907]	83.06[2110]	40.77[1036]	1600x400	CHARCOAL GRAY	
FM-66SMK-1D-SLG							SILVER GRAY	
FM-66SMK-1E-CHG			83.77[2128]	91.77[2331]	45.67[1160]		76"-85"	CHARCOAL GRAY
FM-66SMK-1E-SLG								SILVER GRAY
FM-66SMK-1F-CHG			92.46[2348]	100.46[2552]	53.03[1347]		86"-100"	CHARCOAL GRAY
FM-66SMK-1F-SLG								SILVER GRAY
FM-66SMK-1K-CHG	84.00[2134]	1	88.71[2253]		37.00[940]	2000x400	CHARCOAL GRAY	
FM-66SMK-1K-SLG							SILVER GRAY	
FM-66SMK-1L-CHG			112.34[2853]		47.00[1194]		105"	CHARCOAL GRAY
FM-66SMK-1L-SLG								SILVER GRAY

FORUM™ DISPLAY STAND

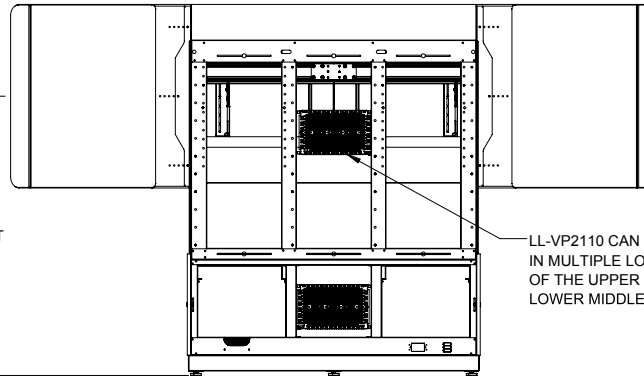
BASIC DIMENSIONS

NOTE(S):

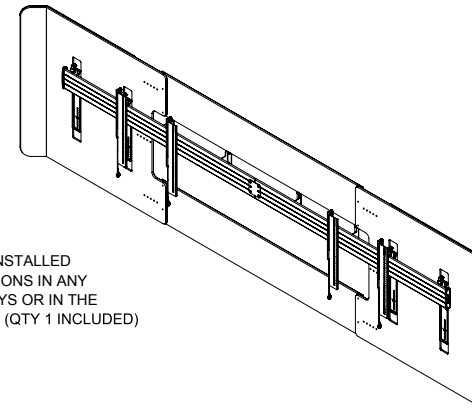
1. ALL DIMENSIONS SHOWN IN FORMAT: INCHES [MILLIMETERS]
2. MIDDLE OF DISPLAY HEIGHT(2" INCREMENTS):
MINIMUM HEIGHT: 44.00 [1117]
MAXIMUM HEIGHT: 62.00 [1574]
3. DISPLAY MOUNT WORKS WITH CHIEF FUSION ACCESSORIES. SEE LEGRANDAV.COM FOR COMPLETE LIST OF SKUS



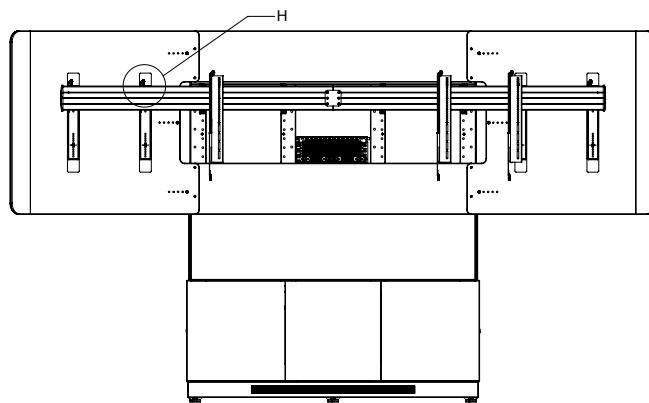
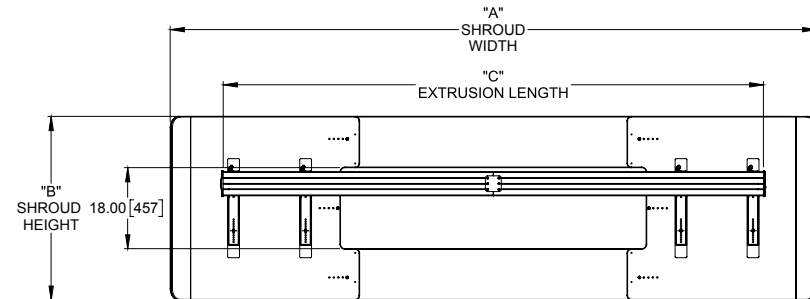
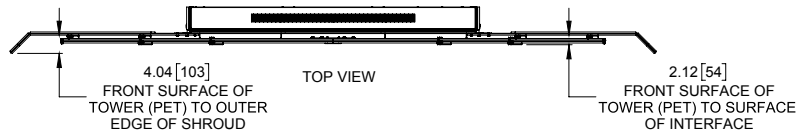
MIDDLE OF
DISPLAY HEIGHT
SEE NOTE 2



LL-VP2110 CAN BE INSTALLED
IN MULTIPLE LOCATIONS IN ANY
OF THE UPPER 3 BAYS OR IN THE
LOWER MIDDLE BAY (QTY 1 INCLUDED)



BACK VIEW



FRONT VIEW

PART NUMBER	"C" EXTRUSION LENGTH	INTERFACE PAIRS	"A" SHROUD WIDTH MIN-MAX		"B" SHROUD HEIGHT	RECOMMENDED DISPLAY SIZE	MAX VESA	COLOR
FM-66SMK-2G-CHG	84.00[2134]	2	100.65[2557]	108.65[2760]	30.96[786]	42"-55"	800x400	CHARCOAL GRAY
FM-66SMK-2G-SLG								SILVER GRAY
FM-66SMK-2H-CHG	96.00[2438]		118.19[3002]	126.19[3205]	35.87[911]	56"-65"		CHARCOAL GRAY
FM-66SMK-2H-SLG								SILVER GRAY
FM-66SMK-2J-CHG	120.00[3048]		135.56[3443]	143.56[3646]	40.77[1036]	66"-75"	1200x400	CHARCOAL GRAY
FM-66SMK-2J-SLG								SILVER GRAY
FM-66SMK-2M-CHG		150.95[3834]						158.95[4037]
FM-66SMK-2M-SLG	SILVER GRAY							

