

User Guide

Lenovo
ThinkCentre



ThinkCentre M70s Gen 6, ThinkCentre M90s Gen 6

Read this first

Before using this documentation and the product it supports, ensure that you read and understand the following:

- *Safety and Warranty Guide*
- *Generic Safety and Compliance Notices*
- *Setup Guide*

First Edition (April 2025)

© Copyright Lenovo 2023.

LIMITED AND RESTRICTED RIGHTS NOTICE: If data or software is delivered pursuant to a General Services Administration "GSA" contract, use, reproduction, or disclosure is subject to restrictions set forth in Contract No. GS-35F-05925.

Contents

Discover your Lenovo computeriii

Chapter 1. Meet your computer 1

Front view	1
Rear view	3
Specifications	5
USB specifications	7

Chapter 2. Get started with your computer 9

Set up the computer	9
Use a smart cable clip (for selected models).	9
Get started with Ubuntu Desktop	10
Connect an external display	11
Transfer data	11
Connect to a Bluetooth-enabled device (for selected models)	11
Use the optical drive (for selected models)	11
Use a media card (for selected models).	12
Set the power plan	12

Chapter 3. Secure your computer and information 13

Lock the computer	13
UEFI BIOS passwords	14
Use BIOS security solutions	15
Wipe the storage drive data (for selected models)	15
Cover presence switch	16
Intel BIOS guard	16
Smart USB Protection	16

Chapter 4. UEFI BIOS 17

Enter the UEFI BIOS menu	17
Navigate the UEFI BIOS menu	17
Enable or disable the ErP LPS compliance mode.	17
Update UEFI BIOS.	18

Chapter 5. CRU replacement 19

CRU list	19
Tool-less replacement	20
Vertical stand.	21
Air deflector	21
Dust shield.	22
Computer cover.	23
3.5-inch hard disk drive and its tray	24
2.5-inch hard disk drive tray	25
M.2 solid-state drive bracket.	25

Slim ODD EMI shielding	26
E-lock	27
PCIe slot cover	28
M.2 solid-state drive	28
Type-1 M.2 solid-state drive	29
Type-2 M.2 solid-state drive	29
Type-3 M.2 solid-state drive	30
Optical drive and optical drive latch	31
Removal steps	31
Installation steps	31
Optical drive bezel.	32
Removal steps	32
Installation steps	33
Front bezel.	34
Removal steps	34
Installation steps	34
PCIe cards.	35
Removal steps	36
Installation steps	36
Drive bay assembly	37
Removal steps	37
Installation steps	37
Memory module	38
Removal steps	39
Installation steps	39
Power supply assembly.	39

Chapter 6. Help and support 41

Self-help resources	41
Lenovo diagnostic tools	41
Call Lenovo	42
Before you contact Lenovo	42
Lenovo Customer Support Center.	42
Purchase accessories or additional services	43
Accessibility features.	43
Compliance information	44
Certification-related information	45
Operating environment	45

Appendix A. Supplemental information about the Ubuntu operating system 47

Appendix B. Notice for USB connector name update 49

**Appendix C. Notices and
trademarks. 51**

Discover your Lenovo computer

Thank you for choosing a Lenovo computer! We are dedicated to delivering the best solution to you.

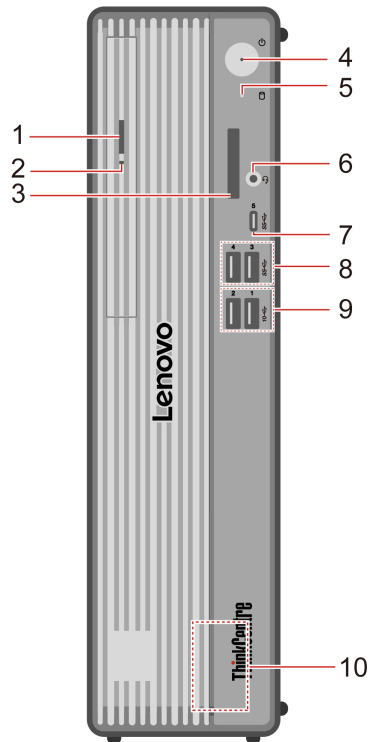
Before starting your tour, please read the following information:

- Illustrations in this documentation might look different from your product.
- Depending on the model, some optional accessories, features, software programs, and user interface instructions might not be applicable to your computer.
- Documentation content is subject to change without notice. To get the latest documentation, go to <https://pcsupport.lenovo.com>.

Chapter 1. Meet your computer

Front view

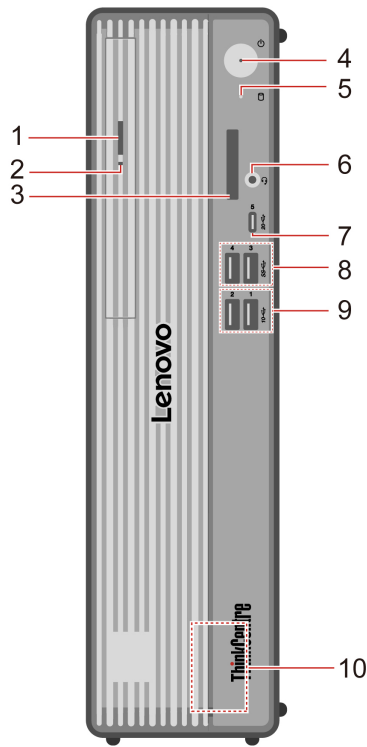
Front view of M70s Gen 6



Item	Description	Item	Description
1	Optical drive eject button*	2	Optical drive activity indicator*
3	SD-card slot*	4	Power button and power indicator
5	Storage drive activity indicator*	6	Headset connector
7	USB-C® connector (USB 5Gbps)	8	USB-A connectors (USB 5Gbps)
9	USB-A connectors (USB 10Gbps)	10	Internal speaker

* for selected models

Front view of M90s Gen 6



Item	Description	Item	Description
1	Optical drive eject button*	2	Optical drive activity indicator*
3	SD-card slot*	4	Power button and power indicator
5	Storage drive activity indicator*	6	Headset connector
7	USB-C connector (USB 20Gbps)	8	USB-A connectors (USB 5Gbps)
9	USB-A connectors (USB 10Gbps)	10	Internal speaker

* for selected models

Note: For more information about the USB connector name update, see Appendix B “Notice for USB connector name update” on page 49.

Statement on USB transfer rate

Depending on many factors such as the processing capability of the host and peripheral devices, file attributes, and other factors related to system configuration and operating environments, the actual transfer rate using the various USB connectors on this device will vary and will be slower than the data rate listed in the connector name or below for each corresponding device.

USB device	Data rate (Gbit/s)
Thunderbolt 3	40
Thunderbolt 4	40

Power indicator

Show the system status of your computer.

- **On:** The computer is starting up or working.
- **Off:** The computer is off or in hibernation mode.
- **Blinking:** The computer is in sleep mode.
- **Breathing:** The computer is in modern standby mode.

Headset connector

The headset connector is compatible with:

- Headphones or earphones with a 3.5mm (0.14 inch), TRS (3-pole) plug
- Headsets with a 3.5mm (0.14 inch), CTIA-compliant TRRS (4-pole) plug or OMTP-compliant TRRS (4-pole) plug

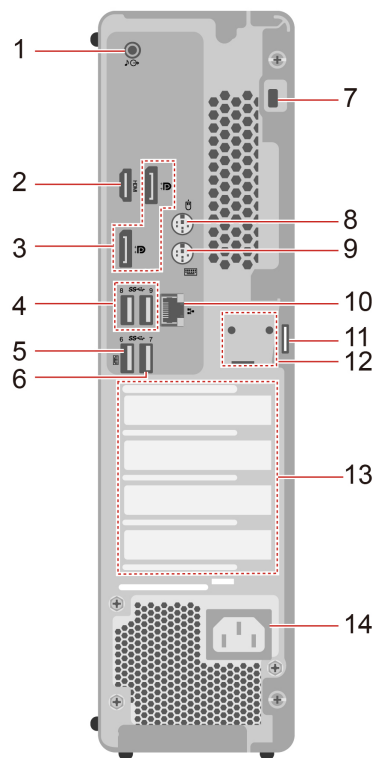
Note: This headset connector does not support standalone external microphones with a TRS (3-pole) plug.

Related topics

- “USB specifications” on page 7.
- “Use a media card (for selected models)” on page 12.

Rear view

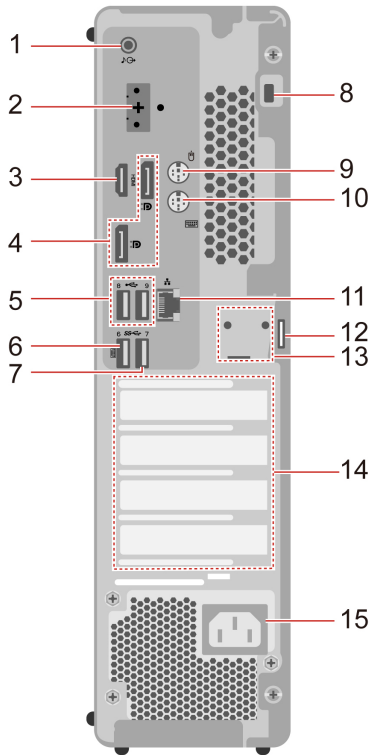
Rear view of M70s Gen 6



Item	Description	Item	Description
1	Audio line-out connector	2	HDMI™ out connector
3	DisplayPort™ out connectors	4	USB-A connectors (USB 5Gbps)
5	USB-A connector (USB 5Gbps) with smart power-on feature	6	USB-A connector (USB 5Gbps)
7	Security-lock slot	8	PS/2 mouse connector*
9	PS/2 keyboard connector*	10	Ethernet connector
11	Padlock loop	12	E-lock slots
13	PCI-Express card area	14	Power cord connector

* for selected models

Rear view of M90s Gen 6



Item	Description	Item	Description
1	Audio line-out connector	2	Optional connector*
3	HDMI out connector	4	DisplayPort out connectors
5	USB-A connectors (Hi-Speed USB)	6	USB-A connector (USB 5Gbps) with smart power-on feature
7	USB-A connector (USB 5Gbps)	8	Security-lock slot
9	PS/2 mouse connector*	10	PS/2 keyboard connector*
11	Ethernet connector	12	Padlock loop

Item	Description	Item	Description
13	E-lock slots	14	PCI-Express card area
15	Power cord connector		

* for selected models



Optional connector

Depending on the computer model, the connector might be a DisplayPort out connector, a USB-C connector (USB 5Gbps), a VGA out connector, or an HDMI out connector.

Related topics

- “USB specifications” on page 7.
- “Set up the computer” on page 9.
- “Lock the computer” on page 13.
- “PCIe cards” on page 35.

Specifications

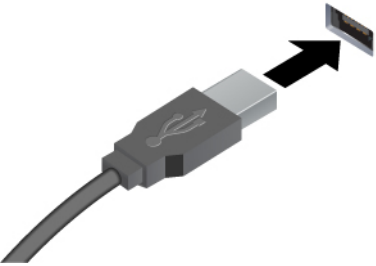


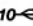
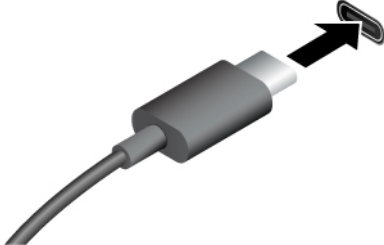

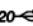
Specifications	Description
Dimensions	<ul style="list-style-type: none"> • Width: 92.5 mm (3.6 inches) • Height: 339.5 mm (13.4 inches) • Depth: 299.7 mm (11.8 inches)
Weight (without packaging)	<p>Maximum configuration as shipped:</p> <ul style="list-style-type: none"> • M70s Gen 6: 5.1kg (11.2 lb) • M90s Gen 6: 5.3 kg (11.7 lb)
Hardware configuration	<ol style="list-style-type: none"> 1. Open the system menu from the top-right corner and click . 2. Click System → About.
Power supply	<p>M70s Gen 6:</p> <ul style="list-style-type: none"> • 200-watt automatic voltage-sensing power supply • 260-watt automatic voltage-sensing power supply • 310-watt automatic voltage-sensing power supply <p>M90s Gen 6:</p> <ul style="list-style-type: none"> • 260-watt automatic voltage-sensing power supply • 310-watt automatic voltage-sensing power supply • 400-watt automatic voltage-sensing power supply
Electrical input	<ul style="list-style-type: none"> • Input voltage: From 100 V ac to 240 V ac • Input frequency: 50/60 Hz
CPU	<p>To view the CPU information of your computer:</p> <ol style="list-style-type: none"> 1. Open the system menu from the top-right corner and click . 2. Click System → About.

Specifications	Description
Memory	<p>Up to four double data rate 5 (DDR5) unbuffered dual in-line memory modules (UDIMMs)</p> <p>Maximum memory capacity: 64 GB</p>
Storage device	<ul style="list-style-type: none"> • 3.5-inch hard disk drive* • M.2 solid-state drive* <p>Type Disks in the search box and use the Disks application to view the storage drive capacity of your computer.</p> <p>Note: The storage drive capacity indicated by the system is less than the nominal capacity.</p>
Video features	<ul style="list-style-type: none"> • The integrated graphics card supports the following: <ul style="list-style-type: none"> – M70s Gen 6: <ul style="list-style-type: none"> – DisplayPort out connector – HDMI out connector – M90s Gen 6: <ul style="list-style-type: none"> – DisplayPort out connector – HDMI out connector – VGA-out connector* – USB-C connector (USB 5Gbps)* (on the rear panel) • The optional discrete graphics card provides an enhanced video experience and extended capabilities.
Expansion	<ul style="list-style-type: none"> • Card reader* • Memory slots • M.2 solid-state drive slots • Optical drive* • Storage drive bay <p>M70s Gen 6</p> <ul style="list-style-type: none"> • PCI-Express x1 card slots • PCI-Express x16 graphics card slot, Gen 4 <p>M90s Gen 6</p> <ul style="list-style-type: none"> • PCI-Express x1 card slots • PCI-Express x16 graphics card slot, Gen 5 • PCI-Express card slot (physical link width x16; negotiable link width x4)
Network features	<ul style="list-style-type: none"> • Bluetooth* • Ethernet LAN • Wireless LAN*

* for selected models

USB specifications

Note: Depending on the model, some USB connectors might not be available on your computer.

Connector name	Description
 <ul style="list-style-type: none">•  USB-A connector (Hi-Speed USB)•  USB-A connector (USB 5Gbps)•  USB-A connector (USB 10Gbps)	<p>Connect USB-A compatible devices, such as a USB-A keyboard, USB-A mouse, USB-A storage device, or USB-A printer.</p>
 <ul style="list-style-type: none">•  USB-C connector (USB 5Gbps)•  USB-C connector (USB 20Gbps)	<ul style="list-style-type: none">• Charge USB-C compatible devices with the output voltage and current of 5 V and 3 A.• Connect to USB-C accessories to help expand your computer functionality. To purchase USB-C accessories, go to https://www.lenovo.com/accessories.

Chapter 2. Get started with your computer

Set up the computer

Step 1. Connect the cables of wired external displays to any of the following connectors on the computer:

- DisplayPort out connector
- HDMI out connector
- VGA-out connector (for selected models)
- USB-C connector (USB 5Gbps), on the rear panel (for selected models)

To change display settings, refer to “Connect an external display” on page 11.

Step 2. Connect the following peripheral devices on the computer if any.

- Keyboard and mouse
- Dust shield
- Air deflector
- Vertical stand

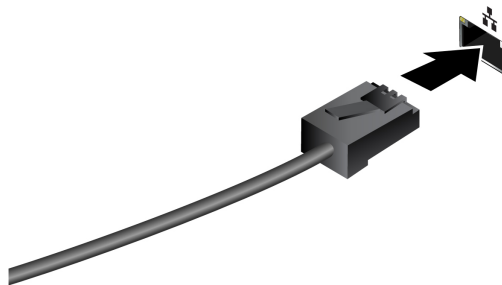
Step 3. Connect the power cord to the power cord connector on the computer and then connect it to a properly-grounded electrical outlet.

Step 4. Press the power button to turn on the computer.

Step 5. Follow the on-screen instructions to complete the setup procedures.

Step 6. Connect to a wired or wireless network.

- **Wired network:** Connect Ethernet cable of local network to the Ethernet connector on the computer.

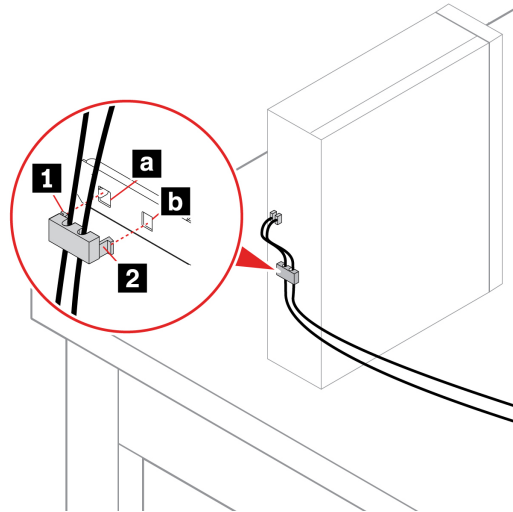


- **Wireless network:** If your computer includes a wireless LAN module, you can connect your computer to Wi-Fi® networks.
 1. Open the system menu from the top-right corner and turn on the Wi-Fi by clicking **Wi-Fi** button.
 2. Click > to expand the Wi-Fi section of the menu. A list of available wireless networks is displayed. Click **All Networks** to see extra options.
 3. Select an available network for connection. Provide required information if needed.

Use a smart cable clip (for selected models)

You can purchase a smart cable clip from Lenovo to lock devices (such as the keyboard and the mouse) to your computer.

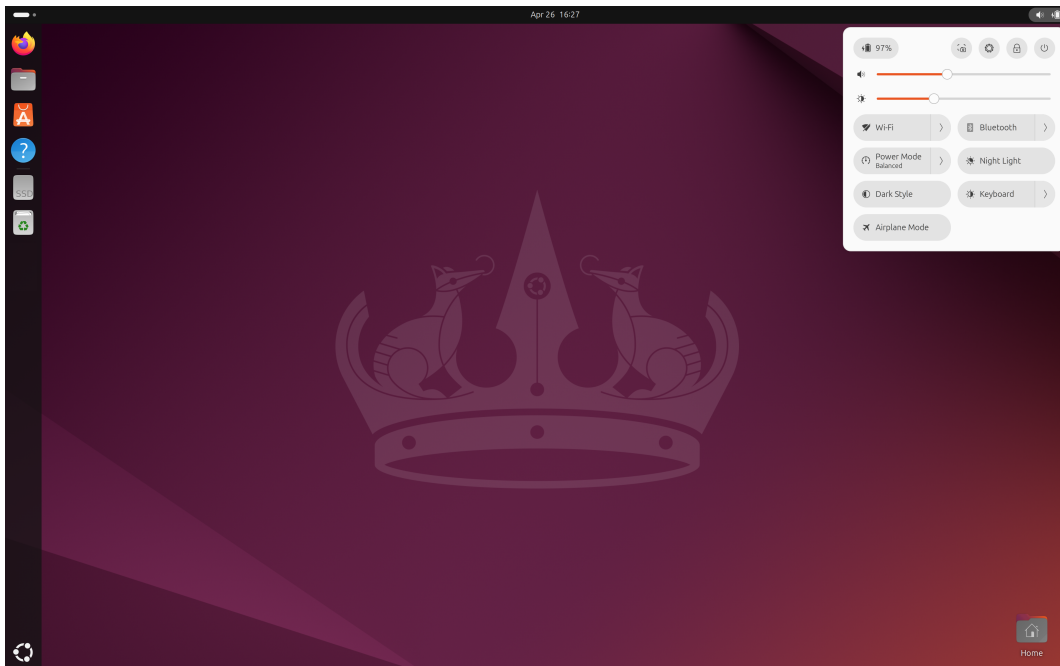
- Step 1. Insert the clip **1** into the cable-lock slot **a**.
- Step 2. Pull the cables you want to lock through the dents in the smart cable clip.
- Step 3. Press the clip **2** into the cable-lock slot **b** until it snaps into position.



Get started with Ubuntu Desktop

Learn the basics of Ubuntu and start working with it right away. For more information about Ubuntu, see the Ubuntu documentation site at: <https://help.ubuntu.com/lts/ubuntu-help/index.html>.


The Gnome desktop is installed by default and is designed to be simple and easy to use. Details on using Gnome are available by launching the Help application or online at <https://help.gnome.org/users/>.



Launch an app

- Press the Super key (with the Windows logo) or open the Activities menu on the top left and type in the name of the application you want to launch.
- Click the **Show Apps** button on the lower left, and select the application you want to launch.

Launch settings

Open the system menu from the top-right corner and click .

Connect an external display

1. Right-click a blank area on the desktop and select display settings.
2. Select the display that you want to configure and change display settings of your preference.

Transfer data

Quickly share your files using the built-in Bluetooth technology among devices with the same features. You also can install a disc or media card to transfer data.

Connect to a Bluetooth-enabled device (for selected models)

You can connect all types of Bluetooth-enabled devices to your computer, such as a keyboard, a mouse, a smartphone, or speakers. Place the device that you are attempting to connect to less than 10 meters (33 feet) from the computer.



1. Open the system menu from the top-right corner and turn on the Bluetooth by clicking **Bluetooth** button.
2. Click > to expand the Bluetooth section of the menu. A list of discoverable devices is displayed.
3. Select a Bluetooth device, and then follow the on-screen instructions.

Use the optical drive (for selected models)

If your computer has an optical drive, read the following information.

Install or remove a disc

1. With the computer on, press the eject button on the optical drive. The tray slides out of the drive.
2. Insert a disc into the tray or remove a disc from the tray, and then push the tray back into the drive.

Note: If the tray does not slide out of the drive when you press the eject button, turn off the computer. Then, insert a straightened paper clip into the emergency-eject hole adjacent to the eject button. Use the emergency eject only in an emergency.

Record a disc

1. Insert a recordable disc into the optical drive that supports recording.
2. In the **Blank CD/DVD-R Disc** notification that pops up at the bottom of the screen, select **Open with CD/DVD Creator**.
3. Follow the on-screen instructions.

Use a media card (for selected models)

If your computer has an SD-card slot, read the following information.

Install a media card

1. Locate the SD-card slot.
2. Ensure that the metal contacts on the card are facing the ones in the SD-card slot. Insert the card firmly into the SD-card slot until it is secured in place.

Remove a media card

Attention: Before removing a media card, unmount the card from the operating system first. Otherwise, data on the card might get corrupted or lost.

1. Launch the **Files** application.
2. Select the unmount icon next to the card and unmount the card from the operating system.
3. Press the card and remove it from your computer. Store the card safely for future use.

Set the power plan

For ENERGY STAR® compliant computers, the following power plan takes effect when your computers have been idle for a specified duration:

- Turn off the display: After 5 minutes
- Put the computer to sleep: After 20 minutes

To awaken the computer from Sleep mode, press any key on your keyboard.

To set the power plan:

1. Go to **Settings → Power**.
2. Choose or customize a power plan of your preference.

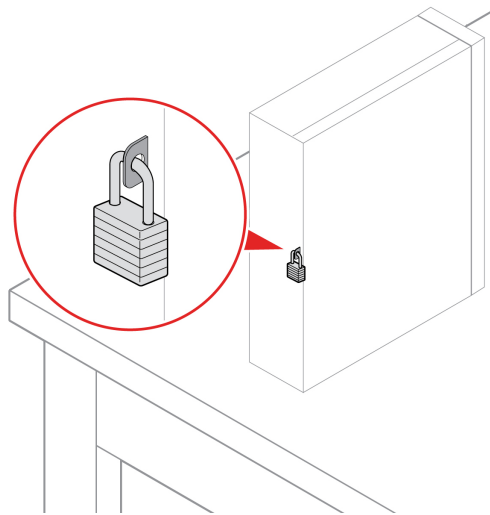
Chapter 3. Secure your computer and information

Lock the computer

Note: Lenovo makes no comments, judgments, or warranties about the function, quality, or performance of the locking device and security feature. You can purchase computer locks from Lenovo.

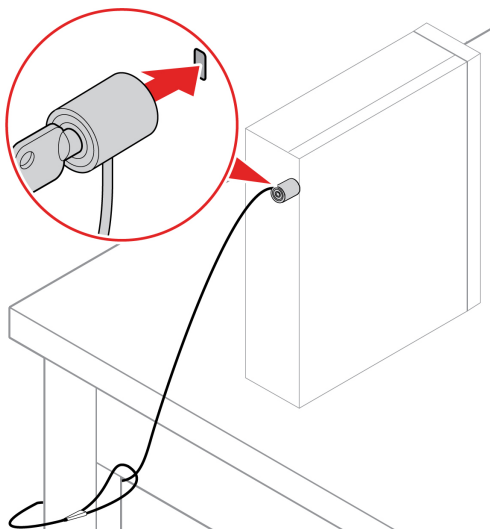
Padlock

Locking the computer cover through a padlock prevents unauthorized access to the inside of your computer.



Security lock

Lock your computer to a desk, table, or other fixtures through a security lock.

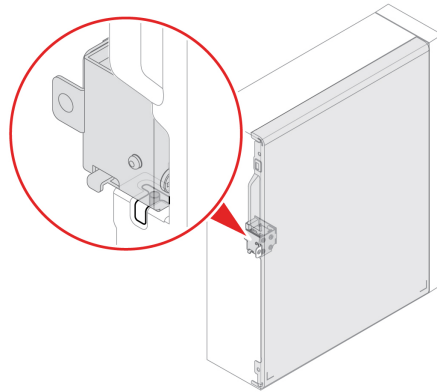


E-lock

Your computer might have a security lock solution installed to protect the computer from unauthorized tampering of the internal components. Using the E-Lock, you can mechanically lock or unlock the computer cover.

To enable or disable the E-Lock:

1. Restart the computer. When the logo screen is displayed, press F1 or Fn+F1.
2. Select **Security** → **Electronic Lock** to enable or disable the E-lock.
3. Press F10 or Fn+F10 to save the changes and exit. Your computer will restart automatically and then changes take effect.



UEFI BIOS passwords

You can set passwords in UEFI (Unified Extensible Firmware Interface) BIOS (Basic Input/Output System) to strengthen the security of your computer.

Password types

You can set a power-on password, supervisor password, system management password, or hard disk password in UEFI BIOS to prevent unauthorized access to your computer. However, you are not prompted to enter any UEFI BIOS password when your computer resumes from sleep mode.

- Power-on password

When a power-on password is set, you are prompted to enter a valid password each time the computer is turned on.

- Supervisor password

Setting a supervisor password deters unauthorized users from changing configuration settings. If you are responsible for maintaining the configuration settings of several computers, you might want to set a supervisor password.

When a supervisor password is set, you are prompted to enter a valid password each time you try to enter the BIOS menu.

If both the power-on password and supervisor password are set, you can enter either password.

However, you must use your supervisor password to change any configuration settings.

- Hard disk password (for selected models)

Setting a hard disk password prevents unauthorized access to the data on the storage drive. When a hard disk password is set, you are prompted to enter a valid password each time you try to access the storage drive.

Note: After you set a hard disk password, your data on the storage drive is protected even if the storage drive is removed from one computer and installed in another.

- System management password (for selected models)

You can enable the system management password to have the same authority as the supervisor password to control security related features. To customize the authority of the system management password through the UEFI BIOS menu:

1. Restart the computer. When the logo screen is displayed, press F1 or Fn+F1.
2. Select **Security** → **System Management Password Access Control**.
3. Follow the on-screen instructions.

If you have set both the supervisor password and the system management password, the supervisor password overrides the system management password.

Set, change, and remove a password

Before you start, print these instructions.

1. Restart the computer. When the logo screen is displayed, press F1 or Fn+F1.
2. Select **Security**.
3. Depending on the password type, select **Set Supervisor Password**, **Set Power-On Password**, **Set System Management Password**, or **Hard Disk Password** and press Enter.
4. Follow the on-screen instructions to set, change, or remove a password.
5. Press F10 or Fn+F10 to save the changes and exit.

You should record your passwords and store them in a safe place. If you forget the passwords, contact a Lenovo-authorized service provider.

Note: If the hard disk password is forgotten, Lenovo cannot remove the password or recover data from the storage drive.

Use BIOS security solutions

This section provides BIOS solutions to secure your computer and information.

Wipe the storage drive data (for selected models)

It is recommended that you wipe the storage drive data before recycling the storage drive or the computer.

To wipe the storage drive data:

1. Restart the computer. When the logo screen is displayed, press F1 or Fn+F1.
2. Select **Security** → **secure wipe** → **Enabled**.
3. Press F10 or Fn+F10 to save the changes and exit.
4. Restart the computer. When the logo screen is displayed, press F12 or Fn+F12.
5. Select **App Menu** → **secure wipe** and press Enter.
6. Select the storage drive you will wipe and click **NEXT**.
7. Select the entire storage drive or partition to wipe as desired.
8. Select the method as desired and click **NEXT**.
9. Click **Yes** to confirm your option when the prompting window is displayed.
10. If you have set a hard disk password for the storage drive, enter the password. Otherwise, set a temporary password following the on-screen instructions. Then, click **NEXT**. The wiping process begins.

Note: Duration of the wiping process varies depending on the storage drive capacity.

11. Click **Reboot** when you are prompted to reset the system, and then one of the following will happen:
 - If the system storage drive data is wiped, you will be prompted that no operating system is found.
 - If the non-system storage drive data is wiped, the computer restarts automatically.

Cover presence switch

The cover presence switch prevents the computer from logging in to the operating system when the computer cover is not properly installed or closed.

To enable or disable the cover presence switch connector on the system board:

1. Restart the computer. When the logo screen is displayed, press F1 or Fn+F1.
2. Select **Security** → **Cover Tamper Detected** and press Enter.
3. Select **Enabled** or **Disabled** and press Enter.
4. Press F10 or Fn+F10 to save the changes and exit.

If the cover presence switch is enabled and the computer cover is not correctly installed or closed, an error message will be displayed when you turn on the computer. To bypass the error message and log in to the operating system, properly install and close the computer cover, and then disable the cover presence switch in the BIOS menu.

Intel BIOS guard

The Intel BIOS Guard module cryptographically verifies all BIOS updates. This hardware-based security helps prevent software and malware attacks on the computers BIOS.

Smart USB Protection

The Smart USB Protection function is a security function that helps prevent data from being copied from the computer to USB storage devices connected to the computer. You can set the Smart USB Protection function to one of the following modes:

- **Disabled** (default setting): You can use the USB storage devices without limitation.
- **Read Only**: You cannot copy data from the computer to the USB storage devices. However, you can access data on the USB storage devices.
- **No Access**: You cannot access the USB storage devices from the computer.

To configure the Smart USB Protection function:

1. Restart the computer. When the logo screen is displayed, press F1 or Fn+F1.
2. Select **Security** → **Smart USB Protection** and press Enter.
3. Select the desired setting and press Enter.
4. Press F10 or Fn+F10 to save the changes and exit.

Chapter 4. UEFI BIOS

Enter the UEFI BIOS menu

Turn on or restart the computer. When the logo screen is displayed, press F1 or Fn+F1 to enter the UEFI BIOS menu.

Note: If you have set UEFI BIOS passwords, enter the correct passwords when prompted. You also can select **No** or press Esc to skip the password prompt and enter the UEFI BIOS menu. However, you cannot change the system configurations that are protected by passwords.

Navigate the UEFI BIOS menu

Follow the on-screen instructions to navigate in the UEFI BIOS menu.

The table below introduces the available settings of the UEFI BIOS menu. You can follow the on-screen instruction to navigate in the UEFI BIOS menu.

Note: The UEFI BIOS menu might vary depending on system configurations.

Menu	Introduction
Main	This category provides the general product-related and firmware information including system summary, machine type, product serial number, UUID number, etc.
Devices	This category introduces how to configure various devices such as USB ports and audio controllers.
Advanced	This category provides advanced information about the computer such as the CPU features.
Power	This category introduces power and thermal management solutions.
Security	This category introduces various passwords, locks, and software to protect your computer.
Startup	This category introduces how to set the boot priority order.
Exit	This category introduces how to exit as you prefer.

You can go to Lenovo BIOS Simulator Center <https://download.lenovo.com/bsco/index.html> to explore the detailed settings by your product name.

Note: The Lenovo BIOS Simulator Center makes periodic updates of the settings. The UEFI BIOS simulator interface and description of settings might be different from that on your actual user interface.

Enable or disable the ErP LPS compliance mode

Lenovo computers meet the eco-design requirements of the ErP Lot 3 regulation. For more information, go to:

<https://www.lenovo.com/us/en/compliance/eco-declaration>

You can enable the ErP LPS compliance mode to reduce the consumption of electricity when the computer is off or in sleep mode.

To enable or disable the ErP LPS compliance mode:

1. Restart the computer. When the logo screen is displayed, press F1 or Fn+F1.

2. Select **Power → Enhanced Power Saving Mode** and press Enter.
3. Depending on whether you select **Enabled** or **Disabled**, do one of the following:
 - If you select **Enabled**, press Enter. Then, select **Power → Automatic Power On** and press Enter. Check whether the Wake on LAN feature is disabled automatically. If no, disable it.
 - If you select **Disabled**, press Enter. Then, go to the next step.
4. Press F10 or Fn+F10 to save the changes and exit.

When the ErP LPS compliance mode is enabled, you can wake up the computer by doing one of the following:

- Press the power button.
- Enable the Wake Up on Alarm feature to make the computer wake up at a set time.

Update UEFI BIOS

When you install a new program, device driver, or hardware component, you might need to update UEFI BIOS. You can update the BIOS from your operating system or a flash update disc (supported only on selected models).

Download and install the latest UEFI BIOS update package by one of the following methods:

- Using the built-in software update service:

Ubuntu software update will check the LVFS site for any firmware updates and notify you when updates are available.
- From the Lenovo Support Web site:
 1. Go to <https://pcsupport.lenovo.com>.
 2. Download the flash BIOS update driver for the operating system version or the ISO image version (used to create a flash update disc). Then, download the installation instructions for the flash BIOS update driver you have downloaded.
 3. Print the installation instructions and follow the instructions to update the BIOS.

Chapter 5. CRU replacement

Important: For users in mainland China, the information provided in this chapter is for reference by professional maintenance service providers or technicians authorized by Lenovo only. Users shall not perform maintenance on their own. Any faults or damage due to improper operation, modification, or failure to use parts provided by Lenovo are not covered by the warranty for this product. For product warranty information, refer to the warranty document provided with the product or go to the official Lenovo website at <https://newsupport.lenovo.com.cn>.

Customer Replaceable Units (CRUs) are parts that can be replaced by the customer. Lenovo computers contain the following types of CRUs:

- **Self-service CRUs:** Refer to parts that can be replaced easily by customer themselves or by trained service technicians at an additional cost.
- **Optional-service CRUs:** Refer to parts that can be replaced by customers with a greater skill level. Trained service technicians can also provide service to replace the parts under the type of warranty designated for the customer's machine.

If you intend on installing the CRU, Lenovo will ship the CRU to you. CRU information and replacement instructions are shipped with your product and are available from Lenovo at any time upon request. You might be required to return the defective part that is replaced by the CRU. When return is required: (1) return instructions, a prepaid shipping label, and a container will be included with the replacement CRU; and (2) you might be charged for the replacement CRU if Lenovo does not receive the defective CRU within thirty (30) days of your receipt of the replacement CRU. For full details, see the Lenovo Limited Warranty documentation at:

https://www.lenovo.com/warranty/llw_02

CRU list

The following is the CRU list of your computer.

Self-service CRUs

- 2.5-inch hard disk drive tray*
- 3.5-inch hard disk drive tray*
- 3.5-inch hard disk drive*
- Air deflector*
- Chassis rubber foot
- Computer cover
- Computer cover screws
- DisplayPort connector cover*
- Dongle DisplayPort to DVI*
- Dongle HDMI to VGA*
- Drive bay assembly
- Dust shield*
- Front bezel
- HDMI connector cover*
- Heat sink for the M.2 solid-state drive*

- Keyboard*
- M.2 solid-state drive
- M.2 solid-state drive bracket*
- Memory module
- Mouse*
- Optical drive bezel*
- Optical drive latch*
- Optical drive*
- PCI cable lock bracket*
- PCIe slot cover*
- Power cord
- Slim ODD EMI shielding*
- Smart cable clip*
- Smart cable*
- Vertical stand*

Optional-service CRUs

- E-lock*
- PCIe cards*
- Power supply assembly

* for selected models

Tool-less replacement

You can remove or replace the devices of this computer without tools.

Related topics

- “Vertical stand” on page 21.
- “Air deflector” on page 21.
- “Dust shield” on page 22.
- “Optical drive and optical drive latch” on page 31.
- “Optical drive bezel” on page 32.
- “Front bezel” on page 34.
- “Drive bay assembly” on page 37.
- “3.5-inch hard disk drive and its tray” on page 24.
- “2.5-inch hard disk drive tray” on page 25.
- “Slim ODD EMI shielding” on page 26.
- “PCIe slot cover” on page 28.
- “Memory module” on page 38.
- “M.2 solid-state drive” on page 28.
- “M.2 solid-state drive bracket” on page 25.
- “PCIe cards” on page 35.

Vertical stand

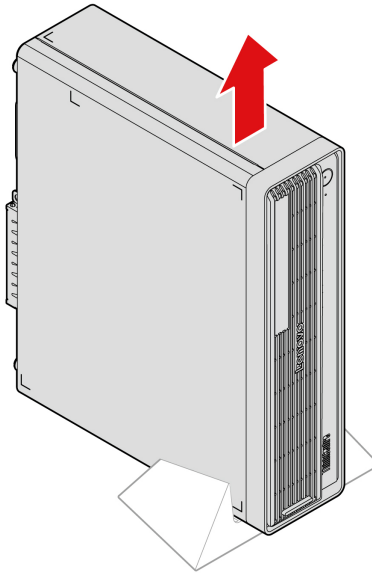
Before you start, read [Generic Safety and Compliance Notices](#), and print the following instructions.

For access, do the following:

1. Turn off the computer and remove all connected devices and cables.
2. Disconnect the computer from ac power and all connected cables.

Step 1. Pick up the computer and remove the vertical stand.

Step 2. Install the new vertical stand in reverse order.

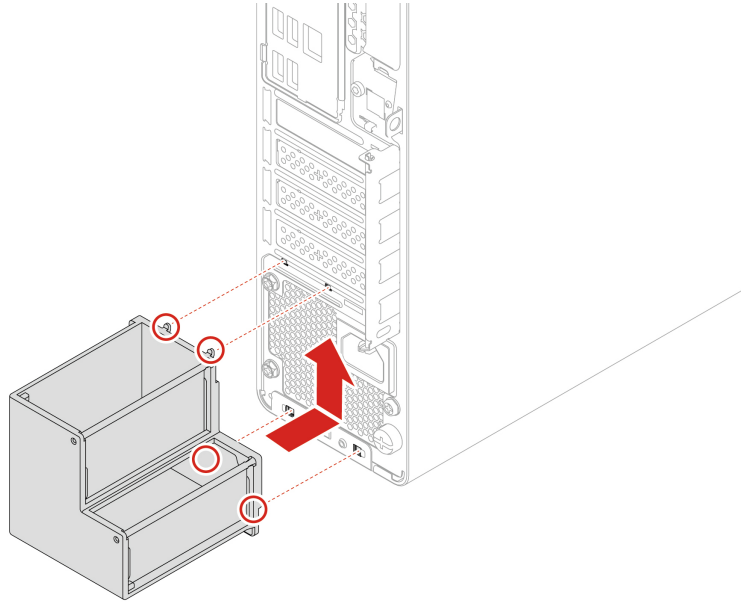


Air deflector

Before you start, read [Generic Safety and Compliance Notices](#), and print the following instructions.

For access, disconnect all power cords from electrical outlets and disconnect all cables from the computer.

Push the air deflector toward the center of the rear panel to remove it.

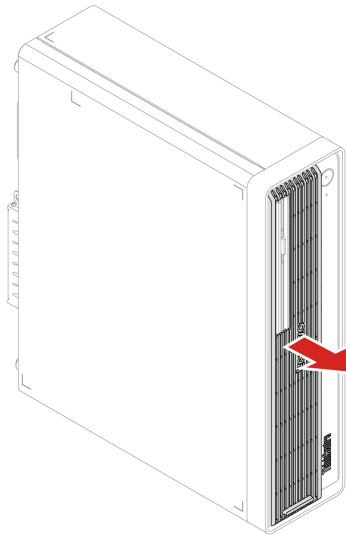


Dust shield

Before you start, read [Generic Safety and Compliance Notices](#), and print the following instructions.

For access, remove the “Vertical stand” on page 21.

- Step 1. Gently pull the dust shield out of the front bezel.
- Step 2. Install the new dust shield in reverse order.



Computer cover

Before you start, read [Generic Safety and Compliance Notices](#), and print the following instructions.



Before you open the top cover, turn off the computer and wait several minutes until the computer is cool.

For access, do the following:

1. Remove any media from the drives and turn off all connected devices and the computer.
2. Disconnect all power cords from electrical outlets and disconnect all cables from the computer.
3. Unlock any locking device that secures the computer cover.
4. Remove the following parts in order, if any:
 - a. “Vertical stand” on page 21
 - b. “Dust shield” on page 22
 - c. “Air deflector” on page 21
5. Lay down the computer to place the computer cover facing up.

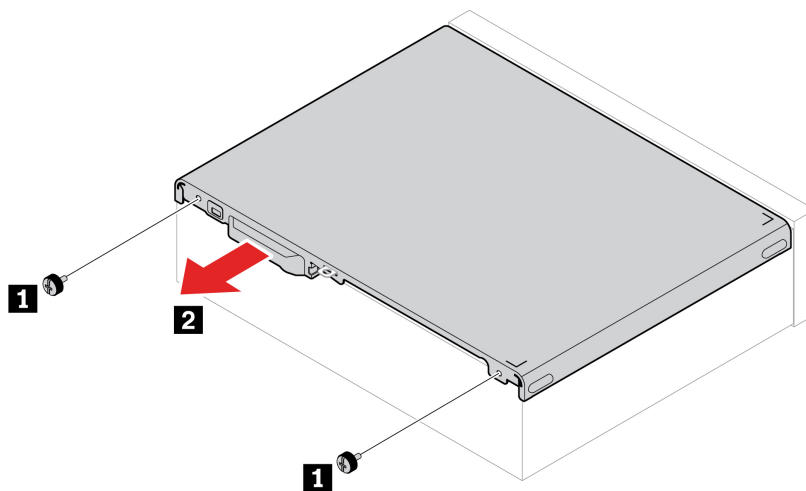
Step 1. Remove the two screws which secure the computer cover to the chassis. Find screw specification like torque in the following screw table.

Screw	Quantity	Torque
M6-32 x L7.5 mm, Ni coated	2 pcs	3 ± 0.5 lb/in

Step 2. Remove the computer cover.

Step 3. Install the new computer cover in reverse order.

Note: If a locking device is available, use it to lock the computer after installing the computer cover.



3.5-inch hard disk drive and its tray

Before you start, read [Generic Safety and Compliance Notices](#), and print the following instructions.

Attention: The internal storage drive is sensitive. Inappropriate handling might cause damage and permanent loss of data. When handling the internal storage drive, observe the following guidelines:

- Replace the internal storage drive only for repair. The internal storage drive is not designed for frequent changes or replacement.
- Before replacing the internal storage drive, make a backup copy of all the data that you want to keep.
- Do not touch the contact edge of the internal storage drive. Otherwise, the internal storage drive might get damaged.
- Do not apply pressure to the internal storage drive.
- Do not make the internal storage drive subject to physical shocks or vibration. Put the internal storage drive on a soft material, such as cloth, to absorb physical shocks.

For access, do the following:

1. Remove these parts in order if any:
 - a. “Computer cover” on page 23.
 - b. “Optical drive and optical drive latch” on page 31.
 - c. “Front bezel” on page 34
 - d. “Drive bay assembly” on page 37
2. Disconnect the signal cable and the power cable from the hard disk drive.

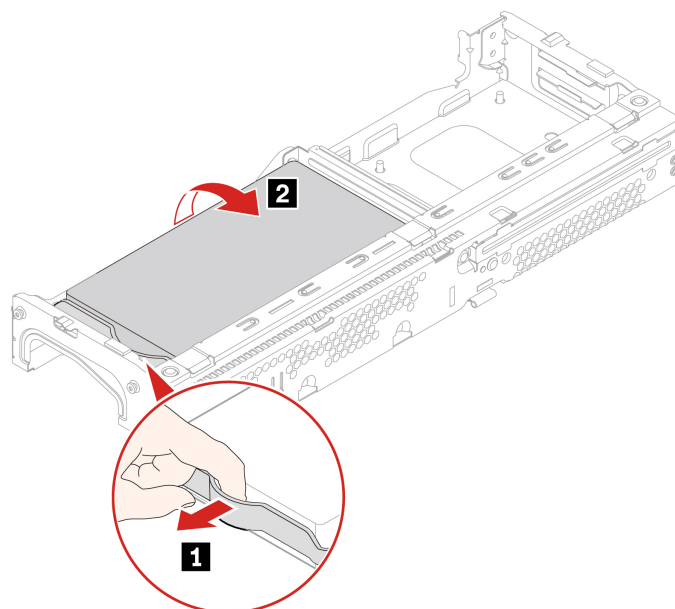
Step 1. Pivot the hard disk drive tray upward.

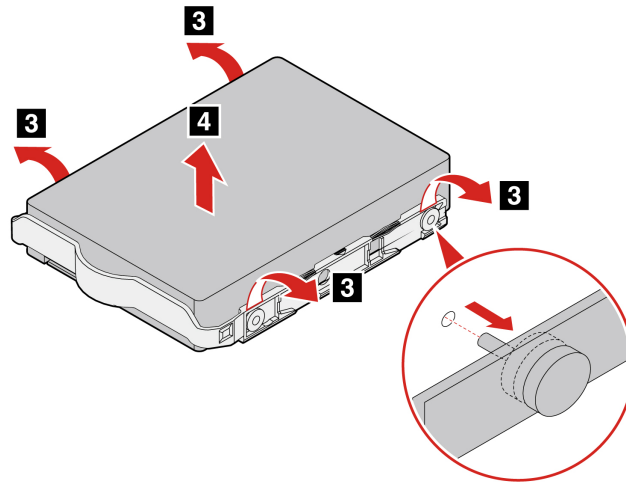
Step 2. Remove it from the drive bay assembly.

Step 3. Release the hard disk drive from its tray.

Step 4. Remove the hard disk drive.

Step 5. Install the new hard disk drive or the new hard disk drive tray in reverse order.





2.5-inch hard disk drive tray

Before you start, read [Generic Safety and Compliance Notices](#), and print the following instructions.

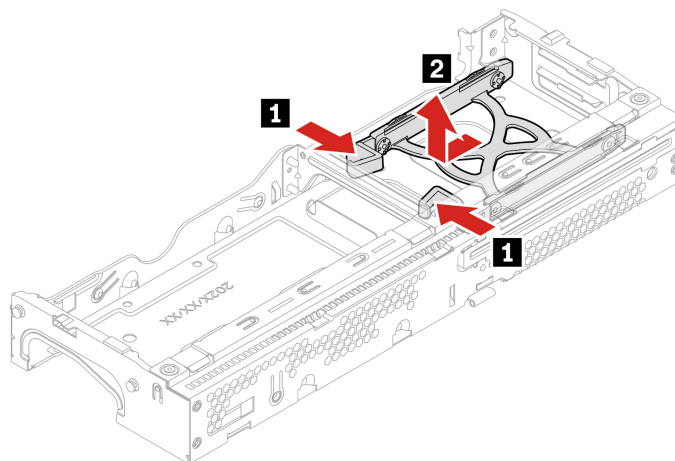
For access, remove these parts in order if any:

1. “Computer cover” on page 23.
2. “Optical drive and optical drive latch” on page 31.
3. “Front bezel” on page 34
4. “Drive bay assembly” on page 37

Step 1. Release the hard disk drive tray from the drive bay assembly by pinching the two latches on end of the hard disk drive tray.

Step 2. Remove the hard disk drive tray.

Step 3. Install the new hard disk drive tray in reverse order.



M.2 solid-state drive bracket

Before you start, read [Generic Safety and Compliance Notices](#), and print the following instructions.

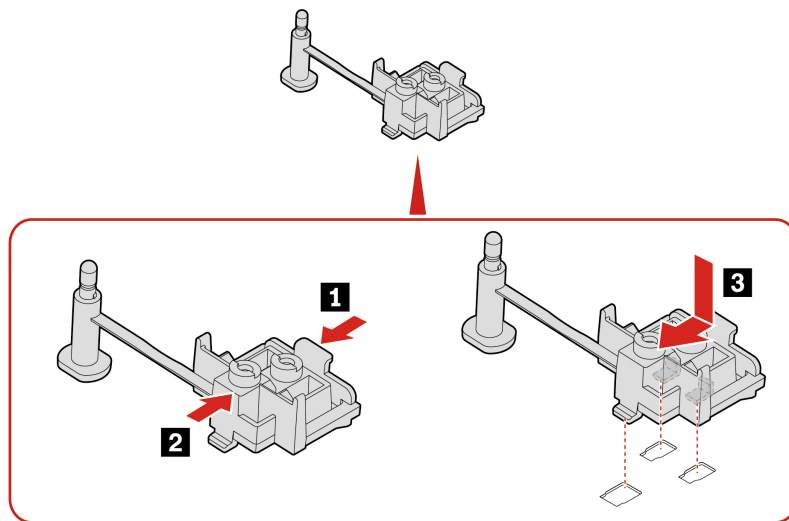
For access, remove these parts in order if any:

1. “Computer cover” on page 23.
2. “Optical drive and optical drive latch” on page 31.
3. “Front bezel” on page 34
4. “Drive bay assembly” on page 37
5. “M.2 solid-state drive” on page 28

Step 1. Release the M.2 solid-state drive bracket from chassis by pushing its retaining clip toward the chassis.

Step 2. Remove the M.2 solid-state drive bracket.

Step 3. There are three holes on the chassis to locate the M.2 solid-state drive bracket. Insert the new M.2 solid-state drive bracket into the three holes.



Slim ODD EMI shielding

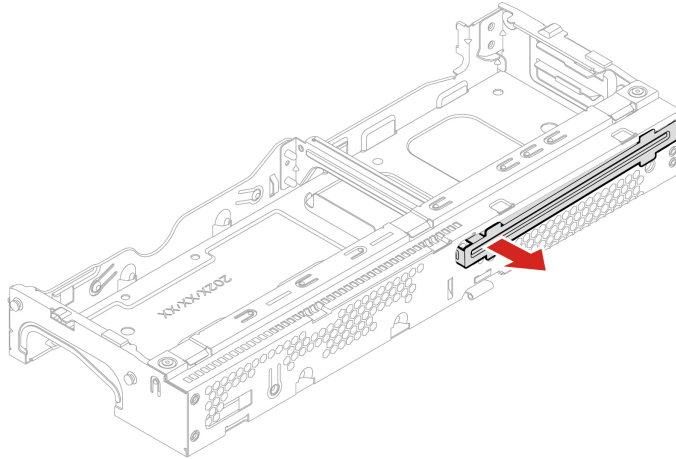
Before you start, read [Generic Safety and Compliance Notices](#), and print the following instructions.

For access, remove these parts in order if any:

1. “Computer cover” on page 23.
2. “Optical drive and optical drive latch” on page 31.
3. “Front bezel” on page 34

Step 1. Push the slim ODD EMI shielding outwards to remove it.

Step 2. Install the new one in reverse order.



E-lock

Before you start, read [Generic Safety and Compliance Notices](#), and print the following instructions.

For access, do the following:

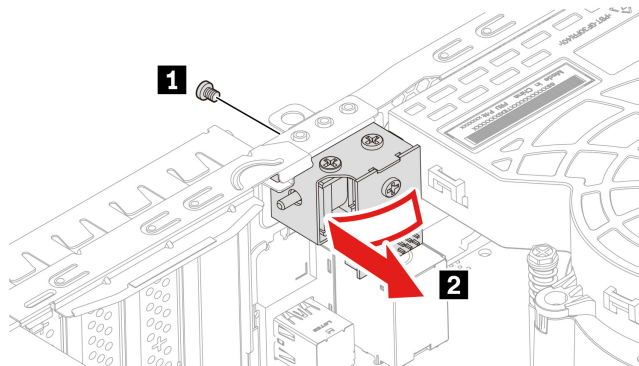
- Remove these parts in order if any:
 - “Computer cover” on page 23
 - “PCIe cards” on page 35
- Disconnect the E-lock cable from the system board

Step 1. Use a special tool (T15 star wrench) to remove the screw which secures the E-lock to the chassis. Find screw specification like torque in the following screw table.

Screw	Quantity	Torque
M3 x L5-T15-SCREW	1 pc	5 ± 0.5 lb/in

Step 2. Pull the E-lock toward the PCIe card to remove it.

Step 3. Install the new E-lock in reverse order.

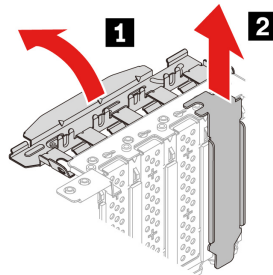


PCIe slot cover

Before you start, read [Generic Safety and Compliance Notices](#), and print the following instructions.

For access, remove the “Computer cover” on page 23 first.

- Step 1. Pivot the PCIe slot cover outwards.
- Step 2. Remove the PCIe slot cover.
- Step 3. Install the new one in reverse order.



M.2 solid-state drive

Before you start, read [Generic Safety and Compliance Notices](#), and print the following instructions.



The heat sink might be very hot. Before you open the computer cover, turn off the computer and wait several minutes until the computer is cool.

Attention:

- The internal storage drive is sensitive. Inappropriate handling might cause damage and permanent loss of data. When handling the internal storage drive, observe the following guidelines:
 - Replace the internal storage drive only for repair. The internal storage drive is not designed for frequent changes or replacement.
 - Before replacing the internal storage drive, make a backup copy of all the data that you want to keep.
 - Do not touch the contact edge of the internal storage drive. Otherwise, the internal storage drive might get damaged.
 - Do not apply pressure to the internal storage drive.
 - Do not make the internal storage drive subject to physical shocks or vibration. Put the internal storage drive on a soft material, such as cloth, to absorb physical shocks.

For access, remove these parts in order if any:

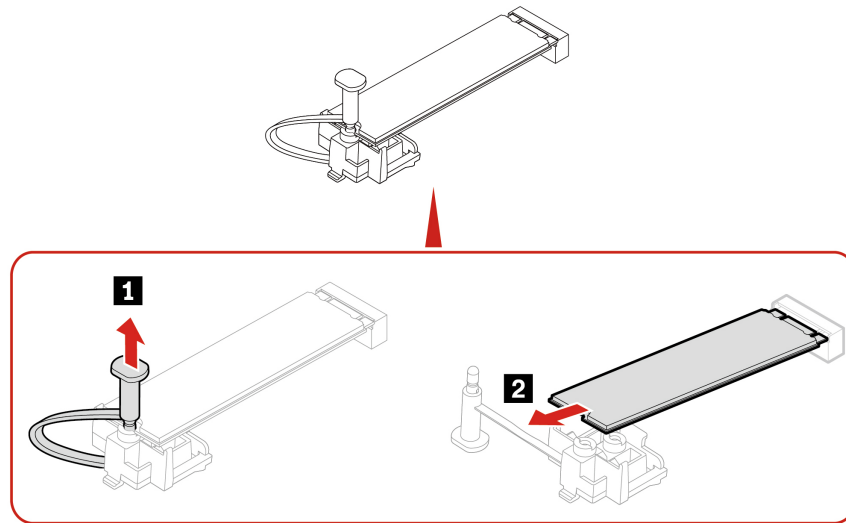
1. “Computer cover” on page 23.
2. “Optical drive and optical drive latch” on page 31.
3. “Front bezel” on page 34
4. “Drive bay assembly” on page 37

Type-1 M.2 solid-state drive

The type-1 M.2 solid-state drive is installed on the system board.

- Step 1. Release the M.2 solid-state drive from the system board by pulling the SSD clip out of its holder.
- Step 2. Remove the M.2 solid-state drive and thermal pad (if any).
- Step 3. Install the new M.2 solid-state drive in reverse order.

Note: Remove the film that covers the thermal pad (if any) when installing the M.2 solid-state drive, heat sink, and thermal pad.

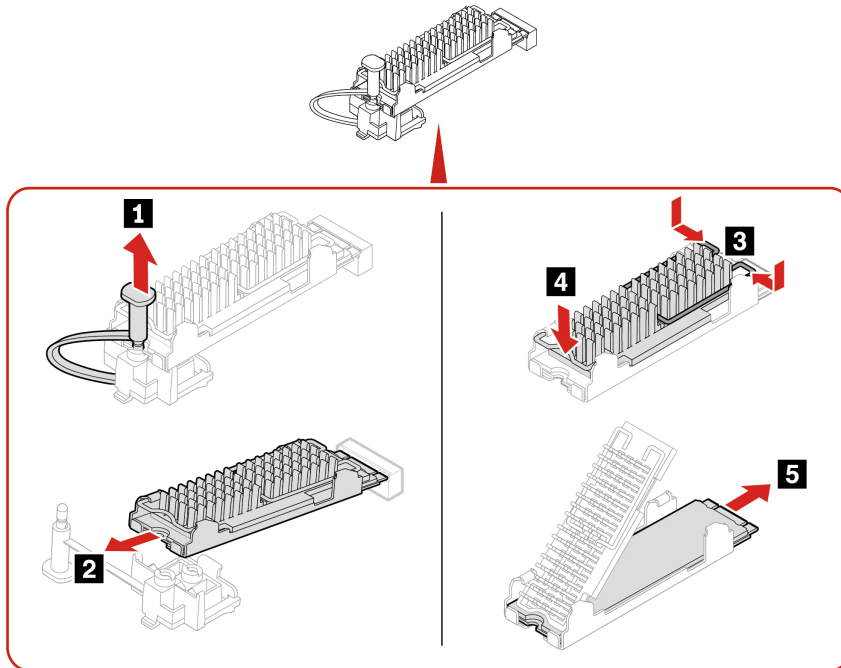


Type-2 M.2 solid-state drive

The type-2 M.2 solid-state drive is installed in its heatsink, and the heatsink is installed on the system board.

- Step 1. Release the heatsink from the system board by pulling the SSD clip out of its holder.
- Step 2. Remove the heatsink.
- Step 3. Pinch the two latches on top of the heatsink.
- Step 4. Press the other end of the heatsink downward.
- Step 5. Remove the M.2 solid-state drive and thermal pad (if any).
- Step 6. Install the new M.2 solid-state drive in reverse order.

Note: Remove the film that covers the thermal pad (if any) when installing the M.2 solid-state drive, heat sink, and thermal pad.

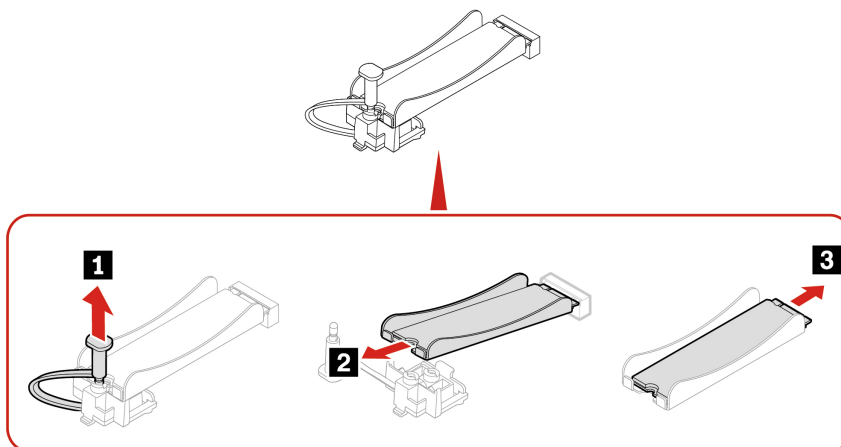


Type-3 M.2 solid-state drive

The type-3 M.2 solid-state drive is installed in its heatsink, and the heatsink is installed on the system board.

- Step 1. Release the heatsink from the system board by pulling the SSD clip out of its holder.
- Step 2. Remove the heatsink.
- Step 3. Remove the M.2 solid-state drive and thermal pad (if any).
- Step 4. Install the new M.2 solid-state drive in reverse order.

Note: Remove the film that covers the thermal pad (if any) when installing the M.2 solid-state drive, heat sink, and thermal pad.



Optical drive and optical drive latch

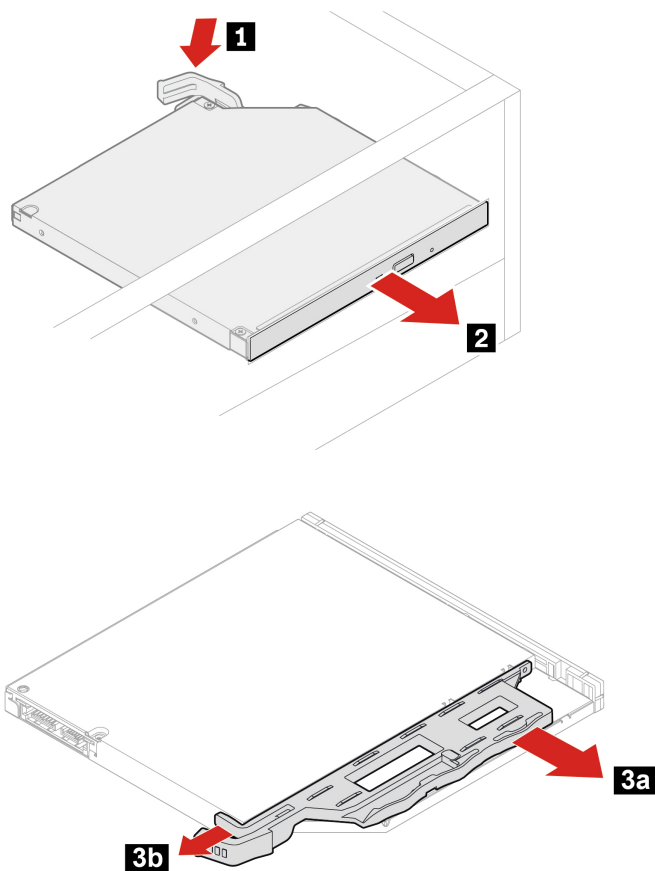
Before you start, read [Generic Safety and Compliance Notices](#), and print the following instructions.

For access, do the following:

1. Remove the “Computer cover” on page 23.
2. Disconnect the signal and power cable from the optical drive.

Removal steps

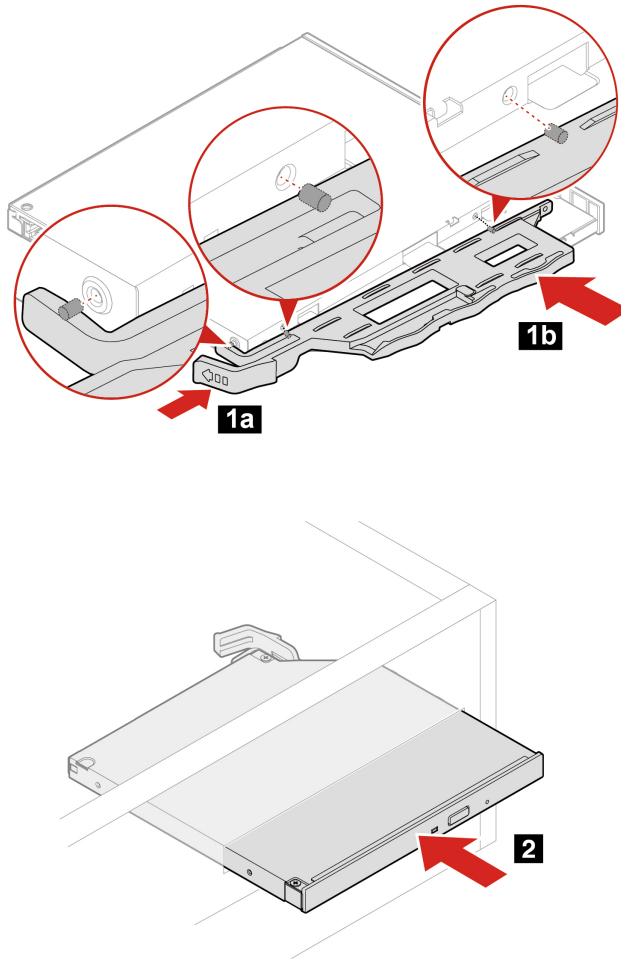
- Step 1. Push the optical drive latch toward the front panel of the computer.
- Step 2. Remove the optical drive.
- Step 3. Pull the optical drive latch out of the optical drive.



Installation steps

There are three holes on the optical drive to locate the optical drive latch.

- Step 1. Install the optical drive latch to the optical drive and make sure that it is inserted into these holes.
- Step 2. Insert the optical drive to the chassis.



Optical drive bezel

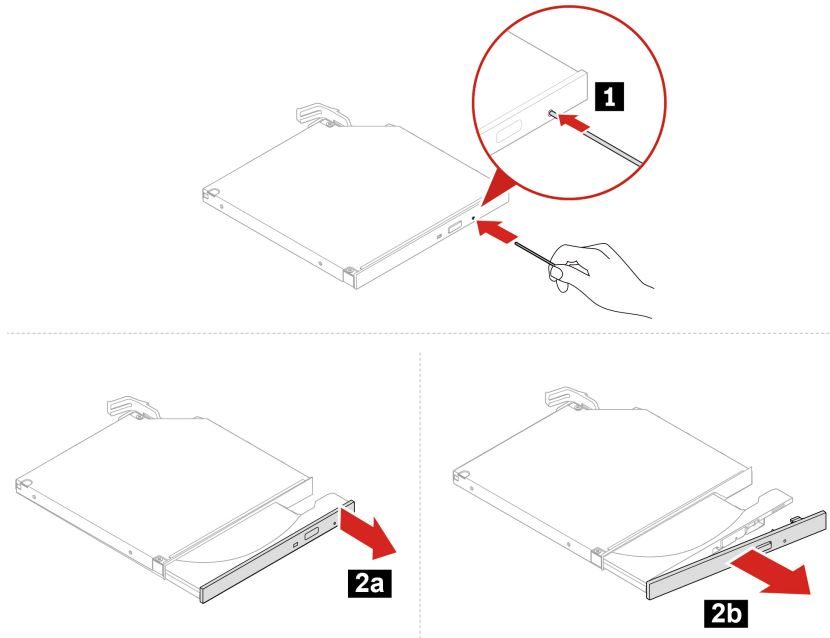
Before you start, read [Generic Safety and Compliance Notices](#), and print the following instructions.

For access, do the following:

1. Remove the “Computer cover” on page 23.
2. Remove the “Optical drive and optical drive latch” on page 31.

Removal steps

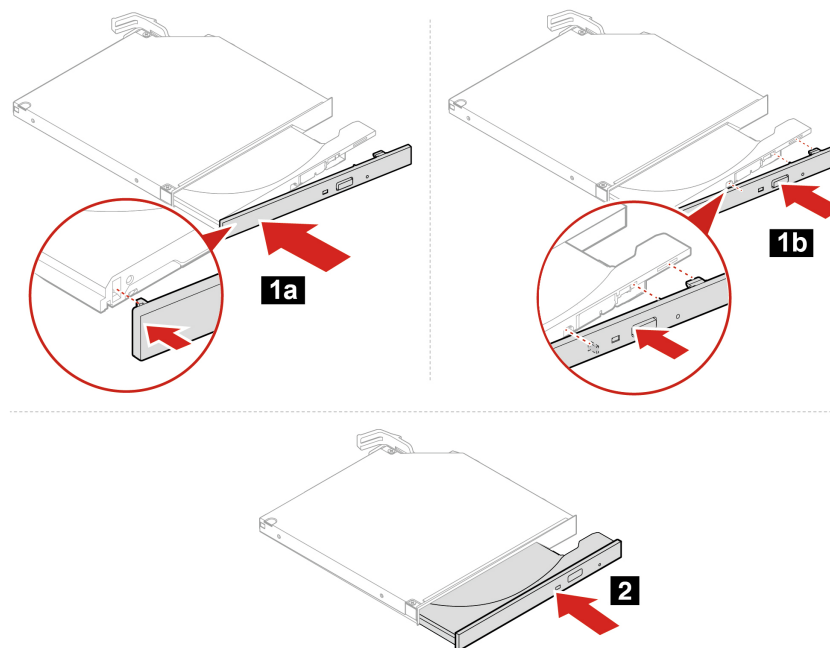
- Step 1. Use an ejector like paper clip to eject the optical drive tray.
- Step 2. Remove the optical drive bezel from the optical drive.



Installation steps

There are four holes on the optical drive tray to locate the optical drive bezel.

- Step 1. Install the optical drive bezel to the optical drive tray, and make sure that it is inserted into these holes.
- Step 2. Install the optical drive tray back to the optical drive.



Front bezel

Before you start, read [Generic Safety and Compliance Notices](#), and print the following instructions.

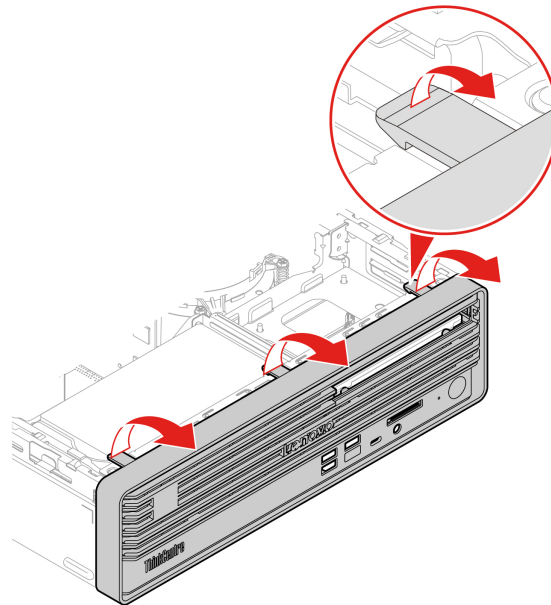
For access, remove these parts in order if any:

1. “Computer cover” on page 23.
2. “Optical drive and optical drive latch” on page 31.

Removal steps

Step 1. Release three elastic hooks from the top of the front bezel.

Step 2. Pivot the front bezel upward and remove it.

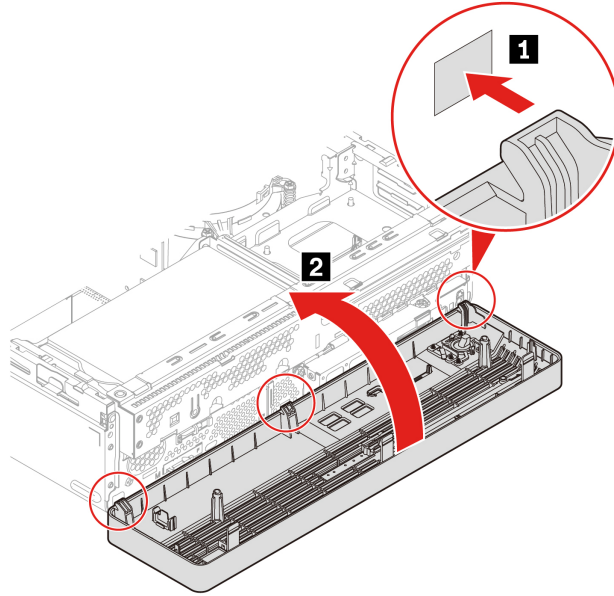


Installation steps

There are three swivel hooks at the bottom of the front bezel, and there are three hook slots at the bottom of the front panel.

Step 1. Insert the three swivel hooks to each hook slot.

Step 2. Pivot the front bezel inwards to install it to the chassis.



PCIe cards

Before you start, read [Generic Safety and Compliance Notices](#), and print the following instructions.

Installation rule:

Install the graphics card to the PCIe slot **1** shown in the following illustration.

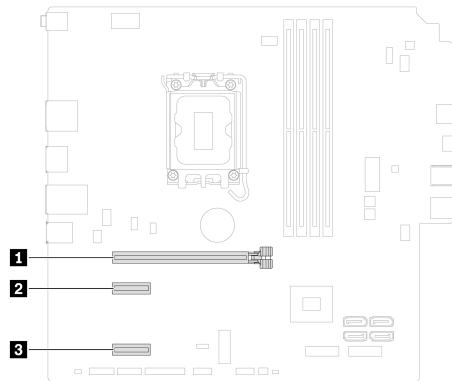


Figure 1. Illustration of PCIe slot location of M70s Gen 6

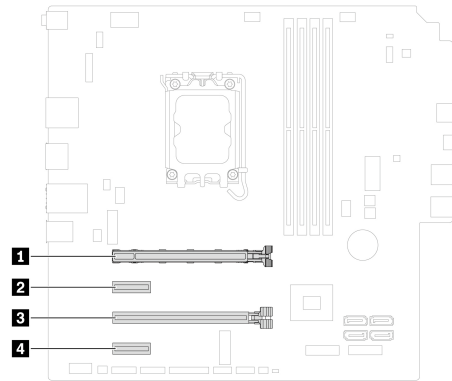
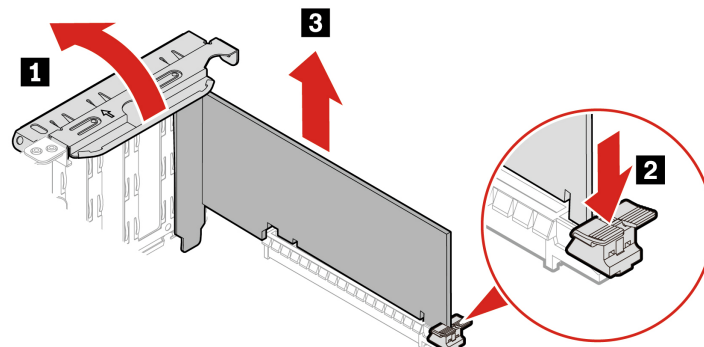


Figure 2. Illustration of PCIe slot location of M90s Gen 6

For access, remove the “Computer cover” on page 23 first.

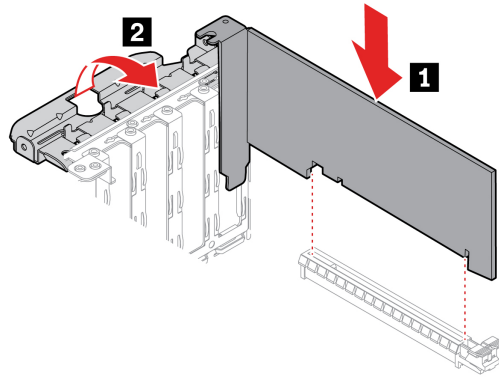
Removal steps

- Step 1. Pivot the PCIe latch outwards.
- Step 2. Press the retaining latch at the end of PCIe slot to unsecure PCIe card.
- Step 3. Gently pull the PCIe card out of the PCIe slot.



Installation steps

- Step 1. Align the PCIe card to the slot and press down until the retaining latch is fully engaged with a click.
- Step 2. Pivot the PCIe latch inwards.



Drive bay assembly

Before you start, read [Generic Safety and Compliance Notices](#), and print the following instructions.



Before you open the computer cover, turn off the computer and wait several minutes until the computer is cool.

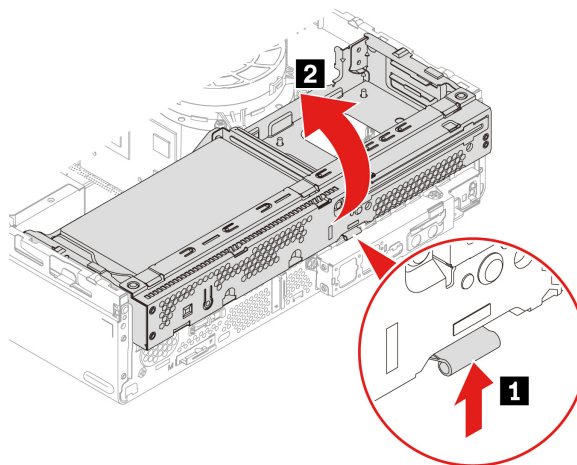
For access, remove these parts in order if any:

1. “Computer cover” on page 23.
2. “Optical drive and optical drive latch” on page 31.
3. “Front bezel” on page 34

Removal steps

Step 1. Release the drive bay assembly from the chassis by pulling the retaining clip upward.

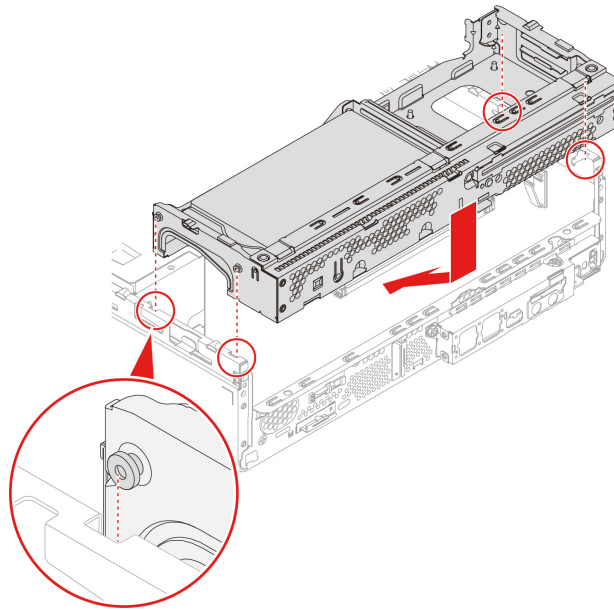
Step 2. Pivot the drive bay assembly upward, then remove it.



Installation steps

There are four holes on the chassis to locate the drive bay assembly.

- Step 1. Insert the drive bay assembly into the four holes.
- Step 2. Press down the drive bay assembly.

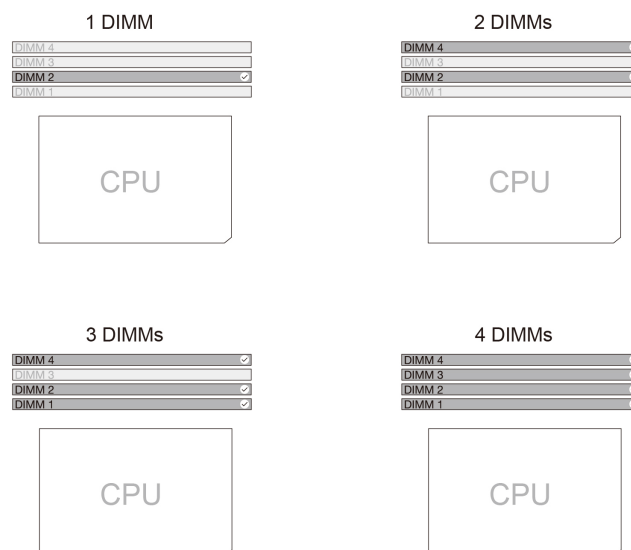


Memory module

Before you start, read [Generic Safety and Compliance Notices](#), and print the following instructions.

Ensure that you install memory modules in the order shown in the following illustration.

Note: Priority order: DIMM 2 slot, DIMM 4 slot, DIMM 1 slot, then DIMM 3 slot.



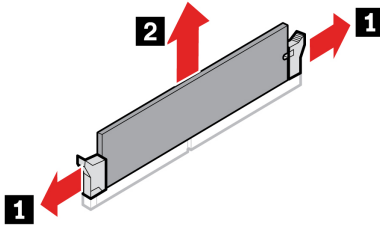
For access, remove these parts in order if any:

1. “Computer cover” on page 23.

2. “Optical drive and optical drive latch” on page 31.
3. “Front bezel” on page 34
4. “Drive bay assembly” on page 37

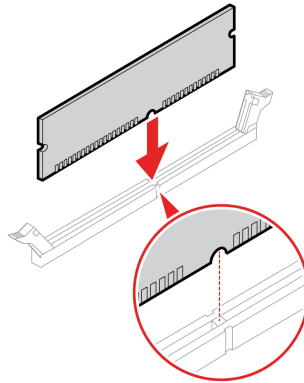
Removal steps

- Step 1. Open the two retaining clips.
- Step 2. Gently pull the memory module out of the memory slot.



Installation steps

Align the memory module to the slot and press down on both ends until the latches are fully engaged with a click.



Power supply assembly

Before you start, read [Generic Safety and Compliance Notices](#), and print the following instructions.

Although there are no moving parts in the computer after the power cord has been disconnected, the following warnings are required for your safety.



Keep fingers and other parts of your body away from hazardous, moving parts. If you suffer an injury, seek medical care immediately. Never remove the cover on a power supply or any part that has the following label attached.



Hazardous voltage, current, and energy levels are present inside any component that has this label attached. There are no serviceable parts inside these components. If you suspect a problem with one of these parts, contact a service technician.

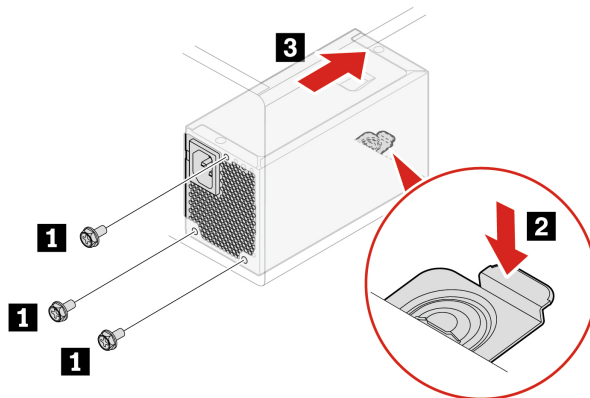
For access, do the following:

1. Remove these parts in order if any:
 - a. "Computer cover" on page 23.
 - b. "Optical drive and optical drive latch" on page 31.
 - c. "Front bezel" on page 34
 - d. "Drive bay assembly" on page 37
2. Disconnect the power supply assembly cables from the system board.

Step 1. Remove the three screws which secure the power supply assembly to the chassis. Find screw specification like torque in the following screw table.

Screw	Quantity	Torque
Screw, #6-32 x L8, Hexhead	3 pcs	5 ± 0.5 lb/in

- Step 2. Press the retaining clip from inside of the chassis.
- Step 3. Push the power supply assembly inwards to remove it.
- Step 4. Install the new power supply assembly in reverse order.



Chapter 6. Help and support

Self-help resources

Use the following self-help resources to learn more about the computer and troubleshoot problems.

Resources	How to access?
Product documentation: <ul style="list-style-type: none">• <i>Safety and Warranty Guide</i>• <i>Generic Safety and Compliance Notices</i>• <i>Setup Guide</i>• <i>This User Guide</i>• <i>Regulatory Notice</i>	Go to https://pcsupport.lenovo.com . Then, follow the on-screen instructions to filter out the documentation you want.
Lenovo Support Web site with the latest support information of the following: <ul style="list-style-type: none">• Drivers and software• Diagnostic solutions• Product and service warranty• Product and parts details• Knowledge base and frequently asked questions	https://pcsupport.lenovo.com
Ubuntu help information	https://help.ubuntu.com/its/ubuntu-help/index.html

Lenovo diagnostic tools

For information about Lenovo diagnostic tools, go to:
<https://pcsupport.lenovo.com/lenovodiagnosicsolutions>

Call Lenovo

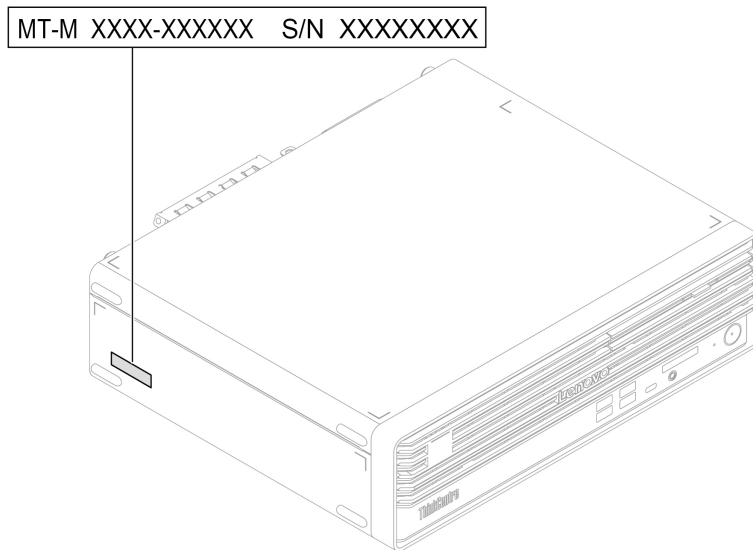
If you have tried to correct the problem yourself and still need help, you can call Lenovo Customer Support Center.

Before you contact Lenovo

Prepare the following before you contact Lenovo:

1. Record the problem symptoms and details:
 - What is the problem? Is it continuous or intermittent?
 - Any error message or error code?
 - What operating system are you using? Which version?
 - Which software applications were running at the time of the problem?
 - Can the problem be reproduced? If so, how?
2. Record the system information:
 - Product name
 - Machine type and serial number

The following illustration shows where to find the machine type and serial number of your computer.



Lenovo Customer Support Center

During the warranty period, you can call Lenovo Customer Support Center for help.

Telephone numbers

For a list of the Lenovo Support phone numbers for your country or region, go to:

<https://pcsupport.lenovo.com/supportphonenumberlist>

Note: Phone numbers are subject to change without notice. If the number for your country or region is not provided, contact your Lenovo reseller or Lenovo marketing representative.

Services available during the warranty period

- Problem determination - Trained personnel are available to assist you with determining if you have a hardware problem and deciding what action is necessary to fix the problem.
- Lenovo hardware repair - If the problem is determined to be caused by Lenovo hardware under warranty, trained service personnel are available to provide the applicable level of service.
- Engineering change management - Occasionally, there might be changes that are required after a product has been sold. Lenovo or your reseller, if authorized by Lenovo, will make selected Engineering Changes (ECs) that apply to your hardware available.

Services not covered

- Replacement or use of parts not manufactured for or by Lenovo or nonwarranted parts
- Identification of software problem sources
- Configuration of UEFI BIOS as part of an installation or upgrade
- Changes, modifications, or upgrades to device drivers
- Installation and maintenance of network operating systems (NOS)
- Installation and maintenance of programs

For the terms and conditions of the Lenovo Limited Warranty that apply to your Lenovo hardware product, see *Safety and Warranty Guide* that comes with your computer.

Purchase accessories or additional services

This topic provides instructions on how to purchase accessories or additional services.

Accessories

Lenovo has a number of hardware accessories and upgrades to help expand the functionalities of your computer. Accessories include memory modules, storage devices, network cards, power adapters, keyboards, mice, and so on.

To shop at Lenovo, go to:

- For computers purchased in mainland China
<https://www.lenovo.com.cn>
- For computers purchased outside mainland China
<https://www.lenovo.com/accessories>

Additional services

During and after the warranty period, you can purchase additional services from Lenovo at:

- For computers purchased in mainland China
<https://newsupport.lenovo.com.cn>
- For computers purchased outside mainland China
<https://pcsupport.lenovo.com/warrantyupgrade>

Service availability and service names might vary by country or region.

Accessibility features

Lenovo is committed to making information technology accessible to everyone, including those with hearing, vision, or mobility limitations. Lenovo supports accessibility features in the following ways to help all users better engage with Lenovo products.

Accessible documentation

Lenovo documentation is designed to meet users' accessibility needs. Users can read the documentation with assistance as needed. For example:

- Text and images are in high contrast. Color contrast can enhance the visual experience. In this mode, all contents are highlighted to be more visible.
- Text is logical and readable. Images are also readable with alternative text provided. A screen reader can enhance the hearing or listening experience. In this mode, all contents are clearer and easier to understand.
- Text is large and clear, making it easier to read. A magnifier can enlarge the text to improve readability.

For more information, watch the video at:

https://support.lenovo.com/docs/pc_pub_accessibility

Accessible product design

Lenovo product design also supports accessibility features.

Note: The accessibility features vary by product. Depending on the product model, some accessibility features listed below might not be applicable to the product. To get the most up-to-date accessibility information for the product, go to <https://www.lenovo.com/accessibility>. For additional support from Lenovo, users can find phone numbers for their country or region from <https://support.lenovo.com/supportphonenumber>.

• Keyboards

Lenovo keyboards support various accessibility features. For example:

- Consistent layout of keyboards for easier use
- Tactile markings on some keys for easier identification
- Appropriate spacing between keys for typing efficiency
- Sufficient contrast of keys, controls, and labels for better visibility
- On-screen notification or lighted notification for some keys for ease of use
- Keys and controls that can be reached and operated using one hand and require minimal dexterity for ease of use

• Industry-standard connectors

The industry-standard connectors on Lenovo products enable better compatibility with peripheral devices.

• Operating systems

The accessibility features of the operating systems can be configured to assist users in the following ways:

- Vision features make the screen contents easier to see.
- Hearing features make the screen contents easier to hear.
- Interaction features make the product easier to control.

To access the accessibility features of the Ubuntu or Fedora operating system, go to **Settings** → **Accessibility**.

Compliance information

Note: For more compliance information, refer to *Generic Safety and Compliance Notices* at <https://pcsupport.lenovo.com>.

Certification-related information

Model name	Machine types (MT)
ThinkCentre M70s Gen 6	12YJ, 12YK, 12YN, 12YQ, 13DT, 13EM, 13ES, 13ET, 13BQ, and 13BR
ThinkCentre M90s Gen 6	12YT, 12YU, 12YX, and 12YY

The latest compliance information is available at:

<https://www.lenovo.com/us/en/compliance>

Operating environment

Maximum altitude (without pressurization)

- Operating: From 0 m (0 ft) to 3048 m (10 000 ft)
- Storage: From 0 m (0 ft) to 12192 m (40 000 ft)

Temperature

- Operating: From 5°C (41°F) to 35°C (95°F)
- Storage:
 - For common desktop computers: From -40°C (-40°F) to 60°C (140°F)
 - For all-in-one desktop computers: From -20°C (-4°F) to 60°C (140°F)

Relative humidity

- Operating: 20%-80% (non-condensing)
- Storage: 10%–90% (non-condensing)

Appendix A. Supplemental information about the Ubuntu operating system

In limited countries or regions, Lenovo offers customers an option to order computers with the preinstalled Ubuntu® operating system.

If the Ubuntu operating system is available on your computer, read the following information before you use the computer. Ignore any information related to Windows-based programs, utilities, and Lenovo preinstalled applications in this documentation.

Access the Lenovo Limited Warranty

This product is covered by the terms of the Lenovo Limited Warranty (LLW), version L505-0010-02 08/2011. You can view the LLW in a number of languages from the following Web site. Read the Lenovo Limited Warranty at:

https://www.lenovo.com/warranty/llw_02

The LLW also is preinstalled on the computer. To access the LLW, go to the following directory:

```
/opt/Lenovo
```

If you cannot view the LLW either from the Web site or from your computer, contact your local Lenovo office or reseller to obtain a printed version of the LLW.

Access the Ubuntu help system

The Ubuntu help system provides information about how to use the Ubuntu operating system. To access the help system from Home Screen, move your pointer to the Launch bar, and then click the **Help** icon. If you cannot find the **Help** icon from the Launch bar, click the **Search** icon on the bottom left, and type Help to search it.

To learn more about the Ubuntu operating system, go to:

<https://www.ubuntu.com>

Get support information

If you need help, service, technical assistance, or more information about the Ubuntu operating system or other applications, contact the provider of the Ubuntu operating system or the provider of the application. If you need the service and support for hardware components shipped with your computer, contact Lenovo. For more information about how to contact Lenovo, refer to the *User Guide* and *Safety and Warranty Guide*.

To access the latest *User Guide* and *Safety and Warranty Guide*, go to:

<https://pcsupport.lenovo.com>

Access open-source information

This device includes software made publicly available by Lenovo, including software licensed under the General Public License and/or the Lesser General Public License (the open source software).

You may obtain a copy of the corresponding source code for any such open source software licensed under the General Public License and/or the Lesser General Public License (or any other license requiring us to make a written offer to provide corresponding source code to you) from Lenovo for a period of three years without charge except for the cost of media, shipping, and handling, upon written request to Lenovo. This offer is valid to anyone in receipt of this device.

You may send your request in writing to the address below accompanied by a check or money order for \$15 to:

Lenovo Legal Department
Attn: Open Source Team / Source Code Requests
8001 Development Dr.
Morrisville, NC 27560

Please include the version of the OS and the version of the Linux Kernel pre-shipped on this Device as part of your request. Be sure to provide a return address.

The open source software is distributed in hope it will be useful, but WITHOUT ANY WARRANTY; without even the implied warranty of MERCHANTABILITY or FITNESS FOR A PARTICULAR PURPOSE. See for example the GNU General Public License and/or the Lesser General Public License for more information.

To view additional information regarding licenses, acknowledgments and required copyright notices for the open source software shipped on your Device, go to `/usr/share/doc/*/copyright`.

Appendix B. Notice for USB connector name update

The USB Implementers Forum published a revision of the guideline for USB connector names in September, 2022. Lenovo follows the revised guideline and updates USB connector names accordingly. You can refer to the table below for naming update details.

Current name	Previous name
USB-A connector (Hi-Speed USB)	USB-A 2.0 connector
USB-A connector (USB 5Gbps)	USB-A 3.2 Gen 1 connector
USB-A connector (USB 10Gbps)	USB-A 3.2 Gen 2 connector
USB-A connector (USB 5Gbps, Always On USB)	Always on USB-A 3.2 Gen 1 connector
USB-A connector (USB 10Gbps, Always On USB)	Always on USB-A 3.2 Gen 2 connector
USB-C connector (USB 5Gbps)	USB-C (3.2 Gen 1) connector
USB-C connector (USB 10Gbps)	USB-C (3.2 Gen 2) connector
USB-C connector (USB 20Gbps)	USB 3.2 Gen 2x2
USB-C connector (USB4 20Gbps)	USB 4 Gen 2x2
USB-C connector (USB4 40Gbps)	USB-C (USB 4) connector
USB-C connector (Thunderbolt 3)	USB-C (Thunderbolt 3) connector
USB-C connector (Thunderbolt 4)	USB-C (Thunderbolt 4) connector

Appendix C. Notices and trademarks

Notices

Lenovo may not offer the products, services, or features discussed in this document in all countries. Consult your local Lenovo representative for information on the products and services currently available in your area. Any reference to a Lenovo product, program, or service is not intended to state or imply that only that Lenovo product, program, or service may be used. Any functionally equivalent product, program, or service that does not infringe any Lenovo intellectual property right may be used instead. However, it is the user's responsibility to evaluate and verify the operation of any other product, program, or service.

Lenovo may have patents or pending patent programs covering subject matter described in this document. The furnishing of this document does not give you any license to these patents. You can send license inquiries, in writing, to:

*Lenovo (United States), Inc.
8001 Development Drive
Morrisville, NC 27560
U.S.A.
Attention: Lenovo Director of Licensing*

LENOVO PROVIDES THIS PUBLICATION "AS IS" WITHOUT WARRANTY OF ANY KIND, EITHER EXPRESS OR IMPLIED, INCLUDING, BUT NOT LIMITED TO, THE IMPLIED WARRANTIES OF NON-INFRINGEMENT, MERCHANTABILITY OR FITNESS FOR A PARTICULAR PURPOSE. Some jurisdictions do not allow disclaimer of express or implied warranties in certain transactions, therefore, this statement may not apply to you.

Changes are made periodically to the information herein; these changes will be incorporated in new editions of the publication. To provide better service, Lenovo reserves the right to improve and/or modify the products and software programs described in the manuals included with your computer, and the content of the manual, at any time without additional notice.

The software interface and function and hardware configuration described in the manuals included with your computer might not match exactly the actual configuration of the computer that you purchase. For the configuration of the product, refer to the related contract (if any) or product packing list, or consult the distributor for the product sales. Lenovo may use or distribute any of the information you supply in any way it believes appropriate without incurring any obligation to you.

The products described in this document are not intended for use in implantation or other life support applications where malfunction may result in injury or death to persons. The information contained in this document does not affect or change Lenovo product specifications or warranties. Nothing in this document shall operate as an express or implied license or indemnity under the intellectual property rights of Lenovo or third parties. All information contained in this document was obtained in specific environments and is presented as an illustration. The result obtained in other operating environments may vary.

Lenovo may use or distribute any of the information you supply in any way it believes appropriate without incurring any obligation to you.

Any references in this publication to non-Lenovo Web sites are provided for convenience only and do not in any manner serve as an endorsement of those Web sites. The materials at those Web sites are not part of the materials for this Lenovo product, and use of those Web sites is at your own risk.

Any performance data contained herein was determined in a controlled environment. Therefore, the result obtained in other operating environments may vary significantly. Some measurements may have been made on development-level systems and there is no guarantee that these measurements will be the same on generally available systems. Furthermore, some measurements may have been estimated through extrapolation. Actual results may vary. Users of this document should verify the applicable data for their specific environment.

This document is copyrighted by Lenovo and is not covered by any open source license, including any Linux® agreement(s) which may accompany software included with this product. Lenovo may update this document at any time without notice.

For the latest information or any questions or comments, contact or visit the Lenovo Web site:

- For computers purchased in mainland China
<https://newsupport.lenovo.com.cn>
- For computers purchased outside mainland China
<https://pcsupport.lenovo.com>

Trademarks

Lenovo, Lenovo logo, ThinkCentre, and ThinkCentre logo are trademarks of Lenovo. Intel and Thunderbolt are trademarks of Intel Corporation or its subsidiaries in the U.S. and/or other countries. Microsoft and Windows are trademarks of the Microsoft group of companies. DisplayPort is a trademark of the Video Electronics Standards Association. The terms HDMI and HDMI High-Definition Multimedia Interface are trademarks or registered trademarks of HDMI Licensing LLC in the United States and other countries. USB4® and USB-C® are registered trademarks of USB Implementers Forum. Wi-Fi and Miracast are registered trademarks of Wi-Fi Alliance. All other trademarks are the property of their respective owners.

Lenovo