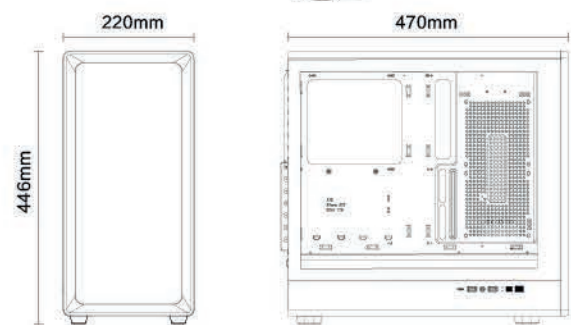
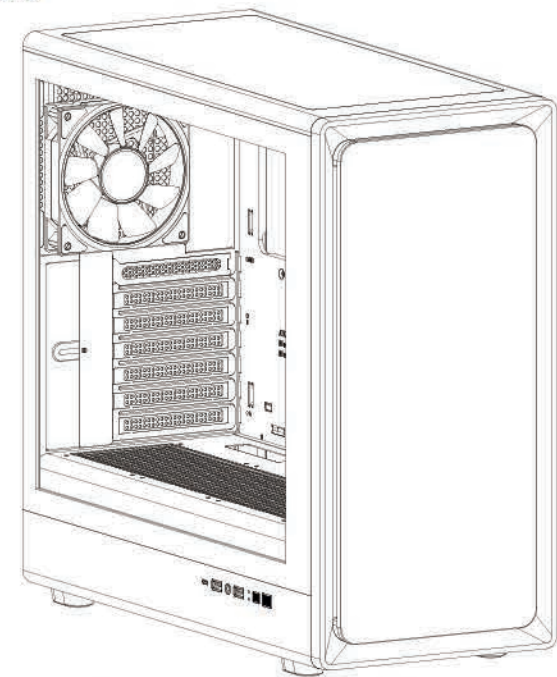


148.5mm

PIEGA CENTRALE



MESHCORE 36B/MESHCORE 36W
User Manual

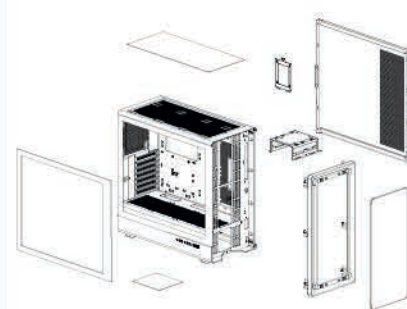
www.itekevo.com



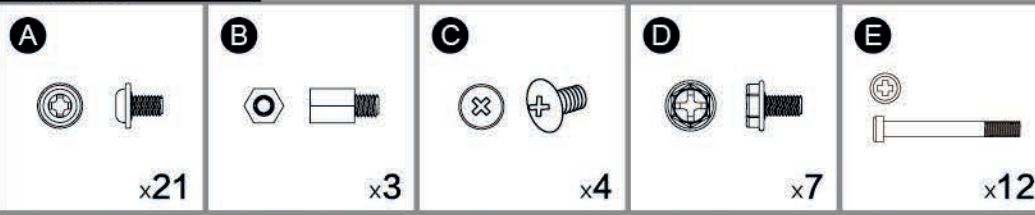
FRONTE

Case Features

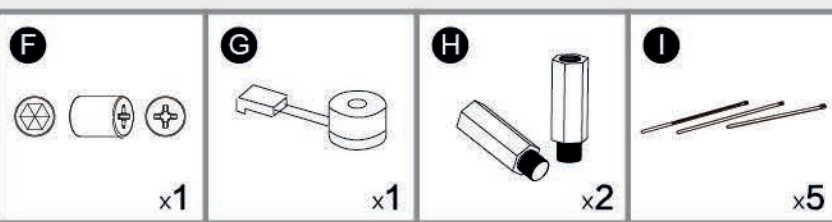
Chassis:	0.5Tmm
HD Audio	Included
USB3.0 x2	Included
USB3.1x1(TYEP-C)	Included
Motherboard Support:	ITX/M-ATX/ATX
PSU Port:	ATX
Reserved Fan Ports:	
M/B:	2x120mm [Fan Optional]
Front:	3x120mm [incl Addressable RGB 120mm Fan x3pcs]/3x140mm [Fan Optional]
Top:	3x120mm/2x140mm [Fan Optional]
Rear:	1x120mm [incl Addressable RGB 120mm Fan x1pcs] / 1x140mm [Fan optional]
Power box:	3x120mm [Fan Optional]
Water Cooling:	Top 120mm/240mm/360mm
Drive Bays:	3.5" HDD x2(MAX) 2.5" SSD x2(MAX)
PCI Slots:	x7
Size:	
Chassis size:	L455xW220xH446mm
Product Size:	L470xW220xH446mm
Carton box:	L500xW277xW538mm
Max. VGA Card:	420 mm
Max. CPU Cooler:	174 mm
Cable Management:	21mm



Accessories

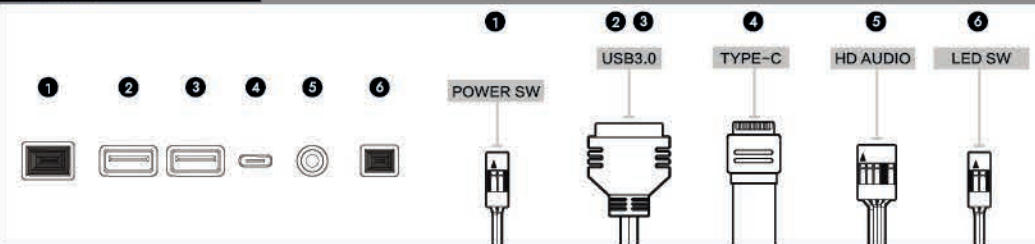


M/B screws / SSD screws Motherboard stand HDD screws PSU screws Long fan screws



Copper pillar sleeve Buzzer Long Motherboard stand Zip tie

I/O Panel

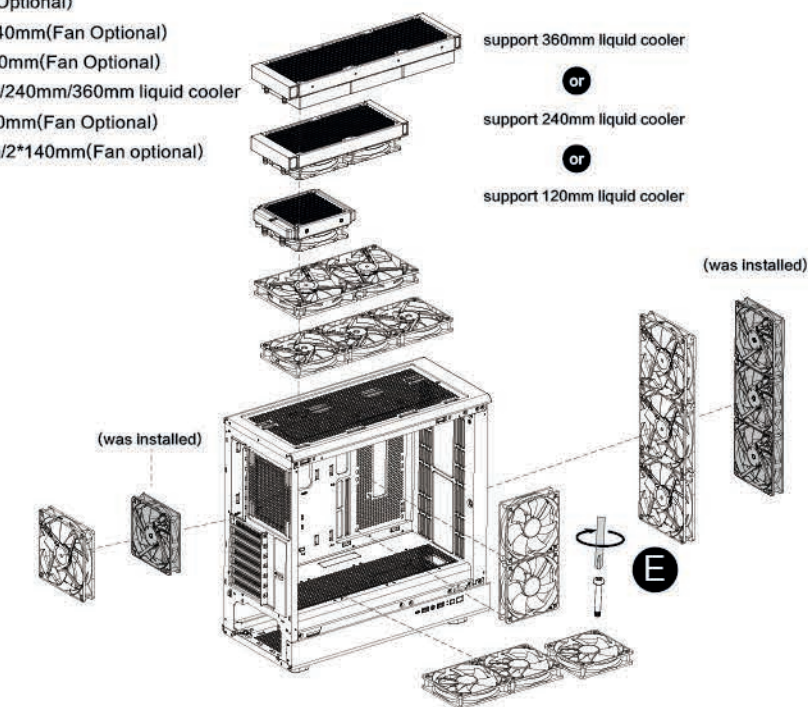


PIEGA CENTRALE

Fan Support & Radiator Support

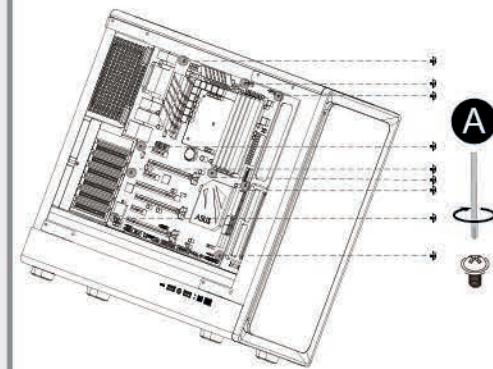
Reserved Fan Ports:

M/B: 2x120mm (Fan Optional)
Front: 3x120mm/3x140mm (Fan Optional)
Top: 3x120mm/2x140mm (Fan Optional)
Rear: 1x120mm/1x140mm (Fan Optional)
Power box: 3*120mm/2*140mm (Fan optional)



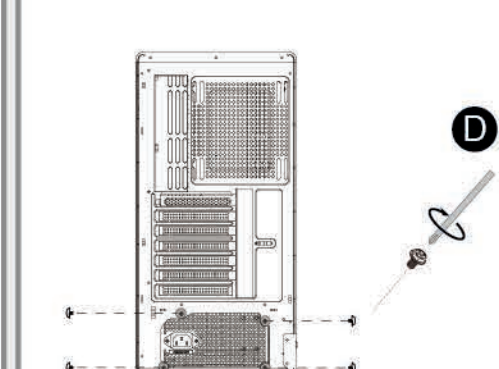
Install Motherboard

Install the motherboard standoffs at the hole of the motherboard, place the motherboard into the mounting position of the case, and fix the lock screw



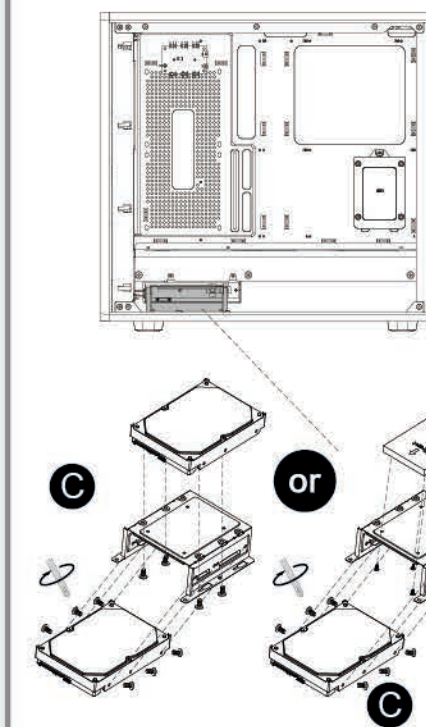
Install Power supply

Place the Power supply into the mounting position of the case, and secure it with 4 power supply screws



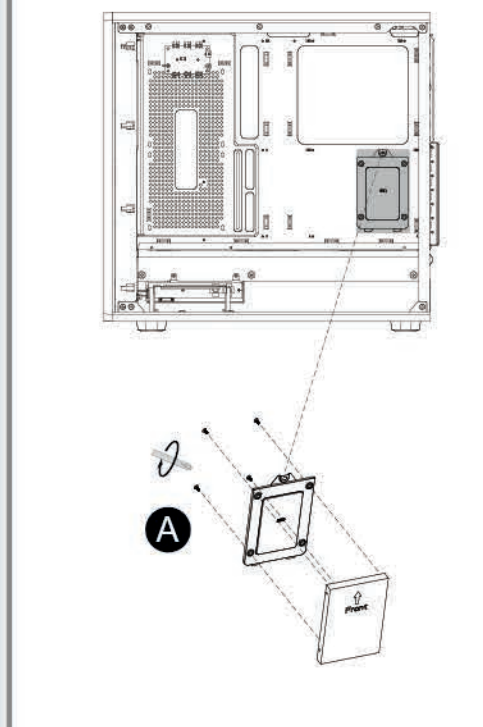
Install HDD

Place the HDD into the HDD slot and secure it with screw



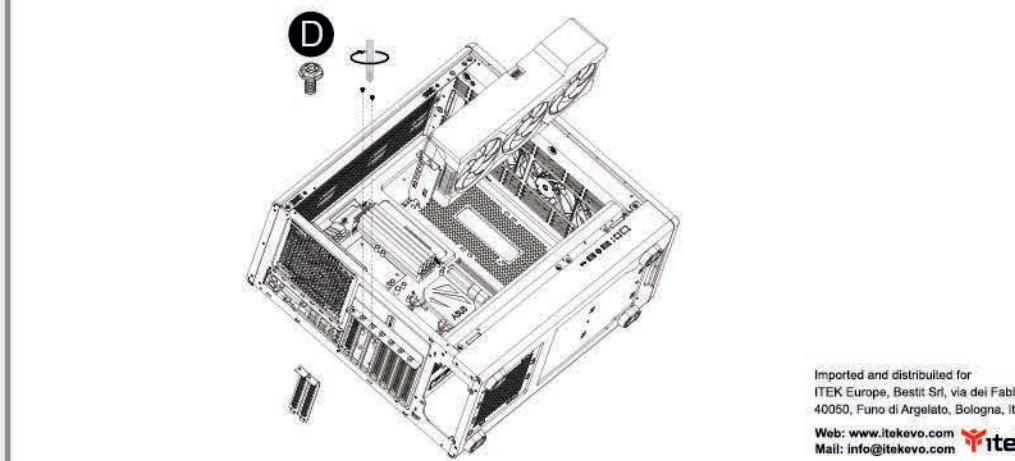
Install SSD

Place the SSD in the rack mounting position and secure it with screw



Install Graphics card

Loosen the screw and remove the baffle, put the VGA card into the mounting position of the case, lock it with the screw and install the baffle and lock it



Imported and distributed for
ITEK Europe, Sestini Srl, via dei Fabbrici,
40050, Fiumo di Argelato, Bologna, Italy
Web: www.itekevo.com
Mail: info@itekevo.com



RETRO