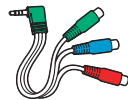
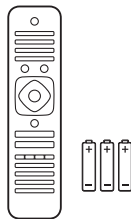
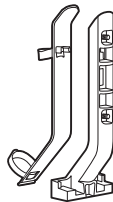
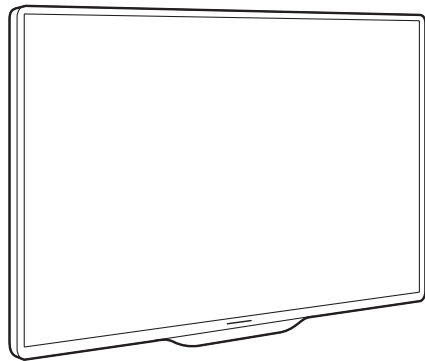


Register your product and get support at
www.philips.com/welcome

7000 / 8000 series Smart LED TV

46PFL7007

46PFL8007



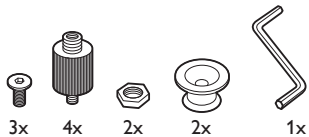
(EU)

(UK)



46PFL7007
1x

46PFL8007
2x



3x

4x

2x

2x

1x

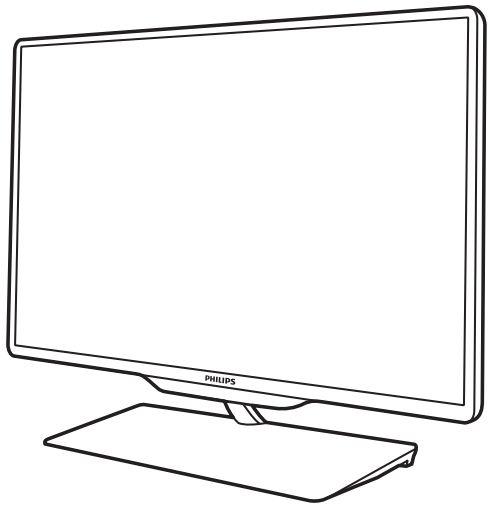


310431578024

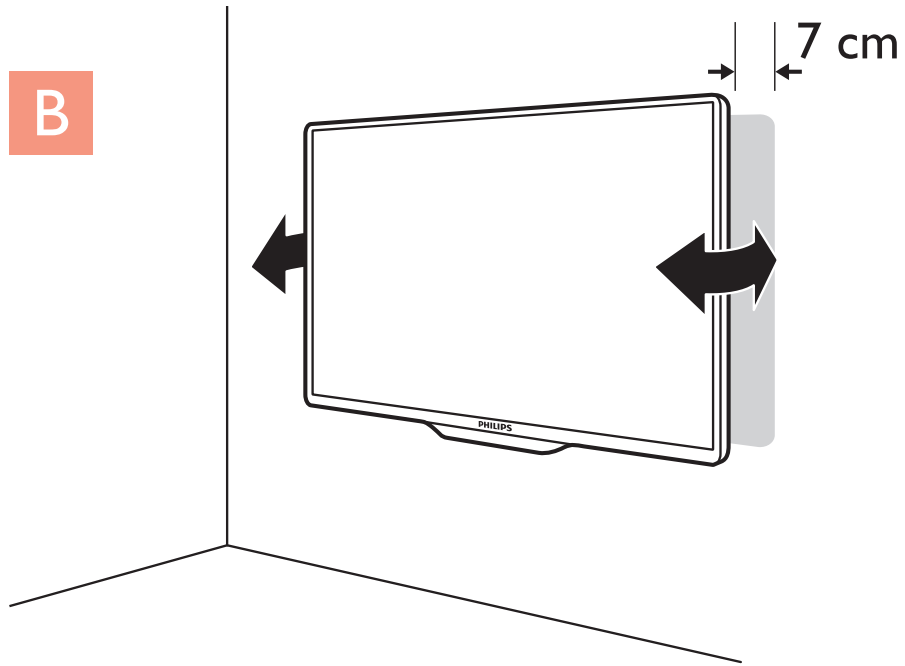
PHILIPS

1

A

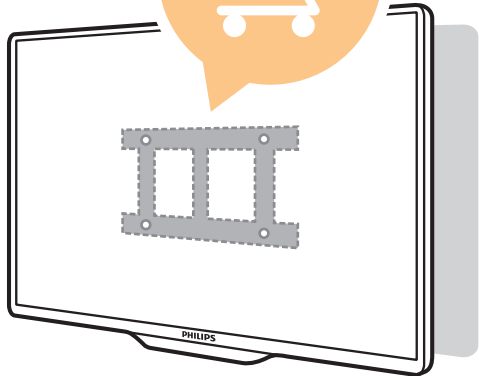
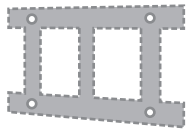


B



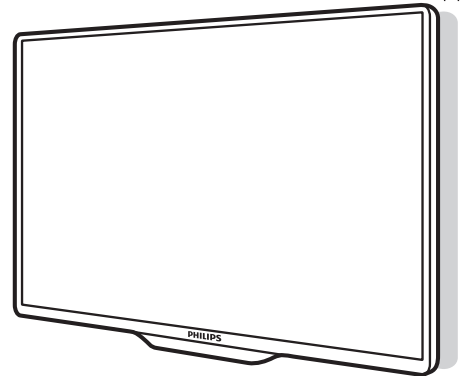
C

VESA
200x200, M6

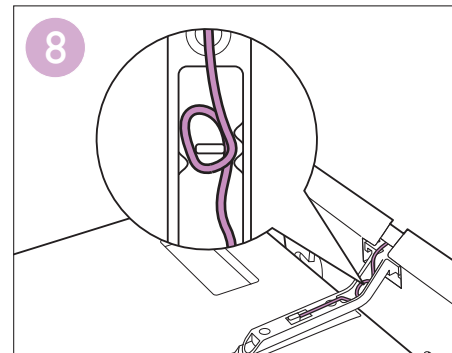
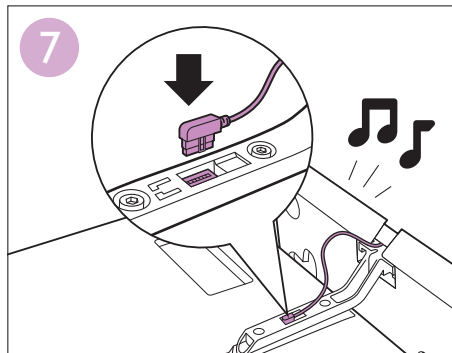
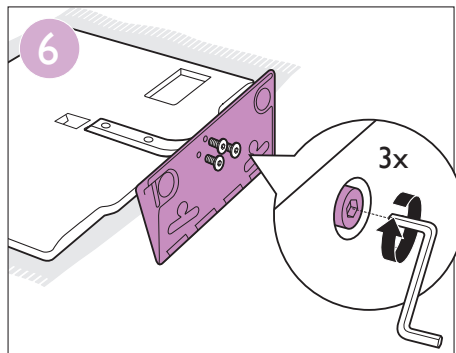
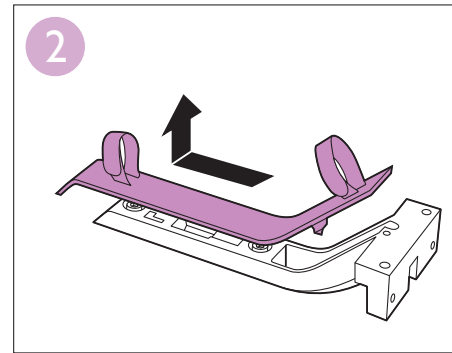
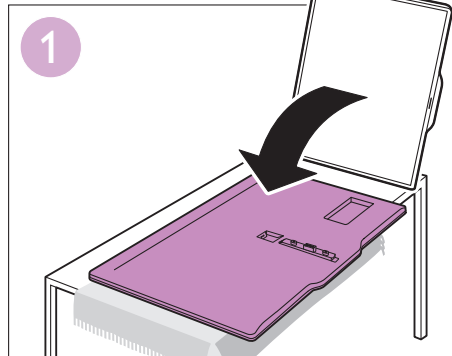
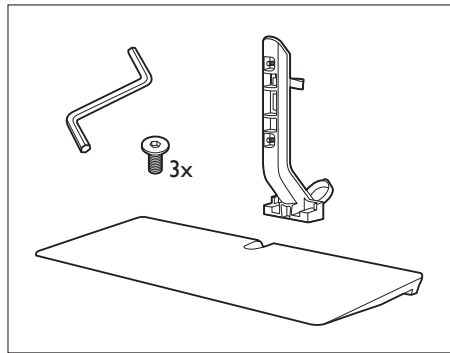
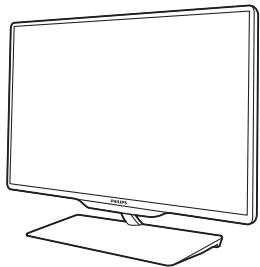


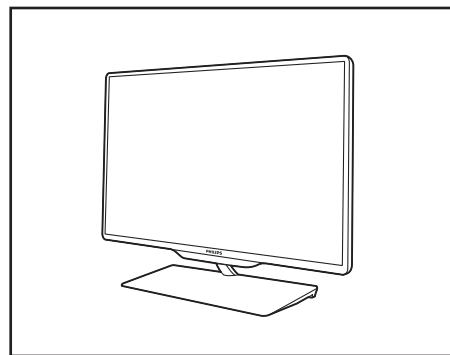
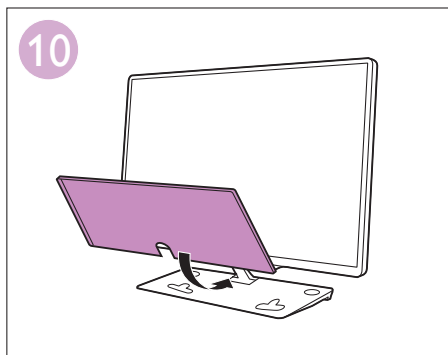
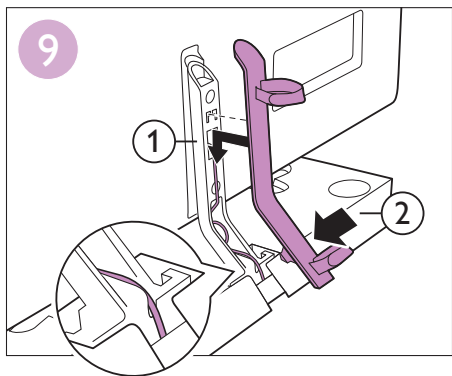
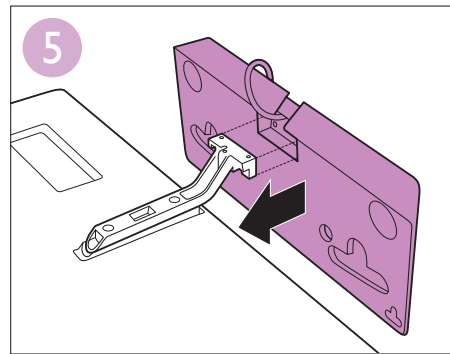
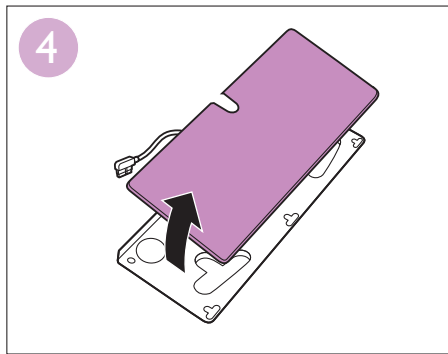
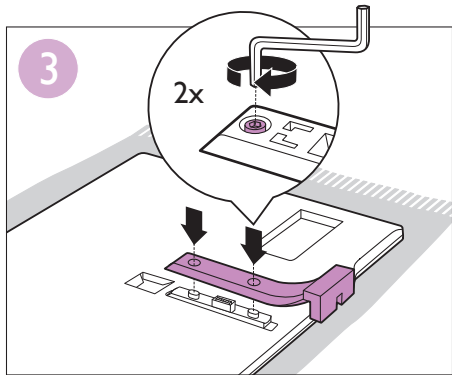
D

3 cm

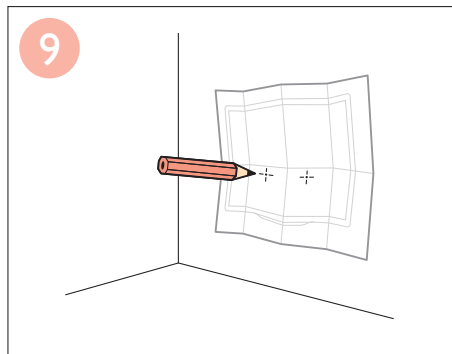
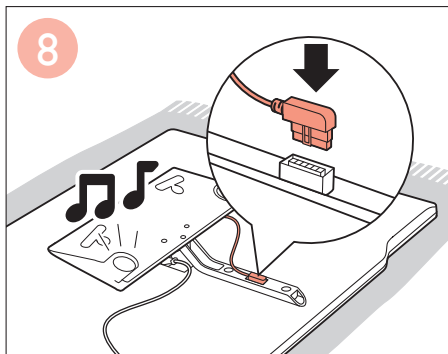
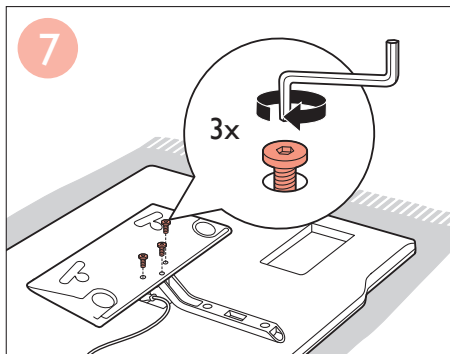
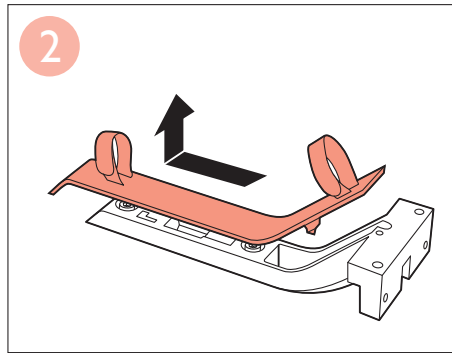
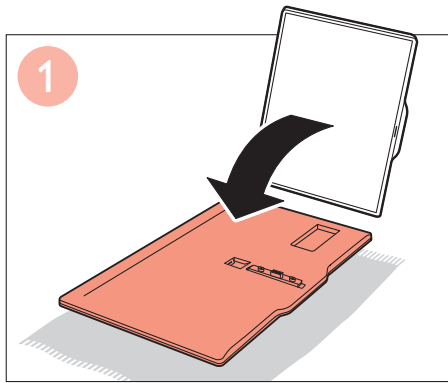
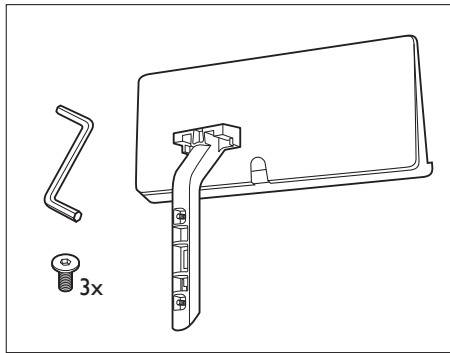
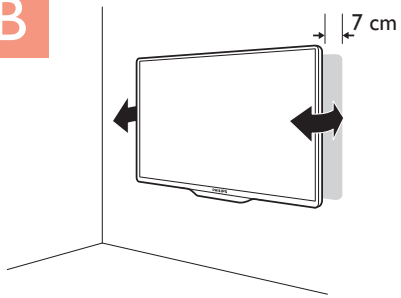


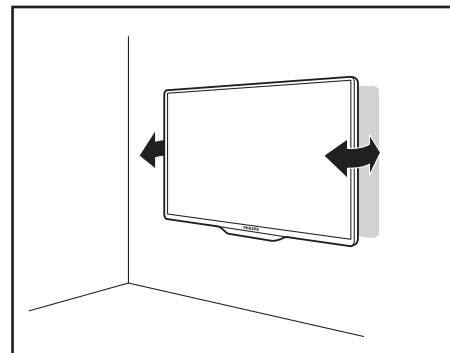
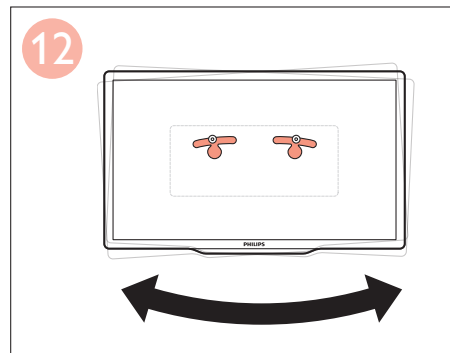
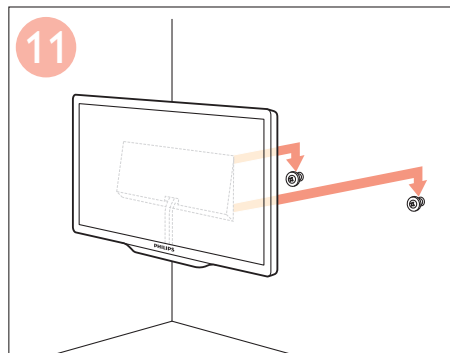
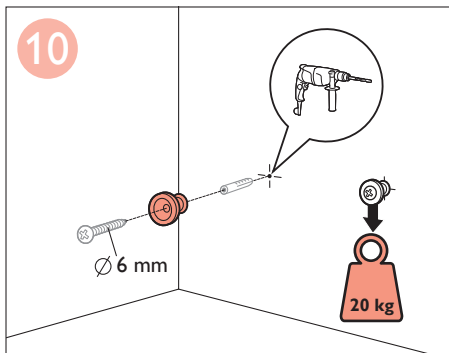
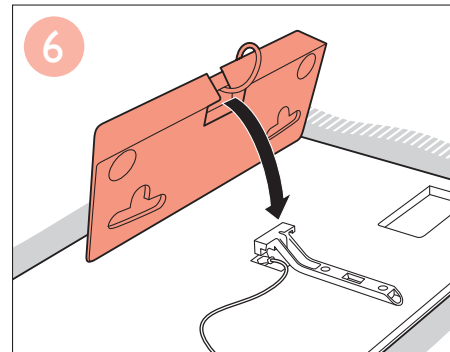
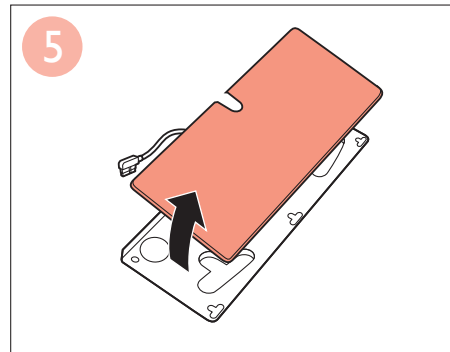
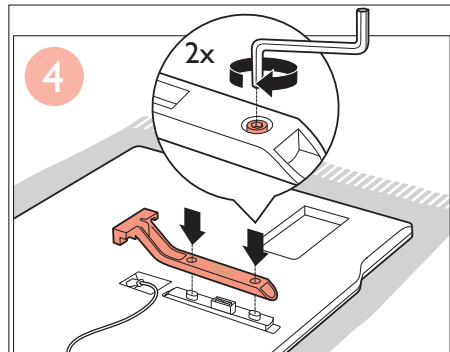
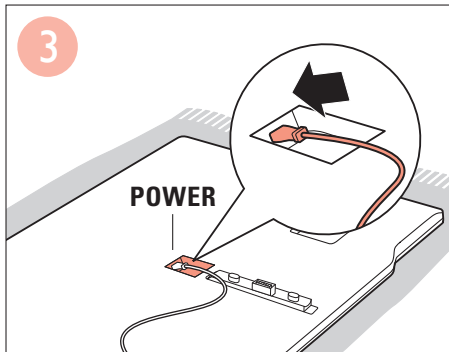
A



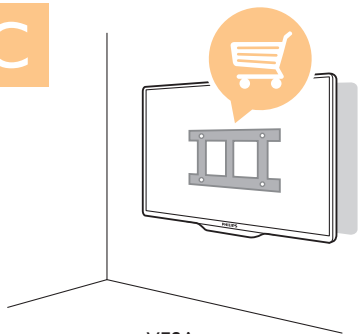


B

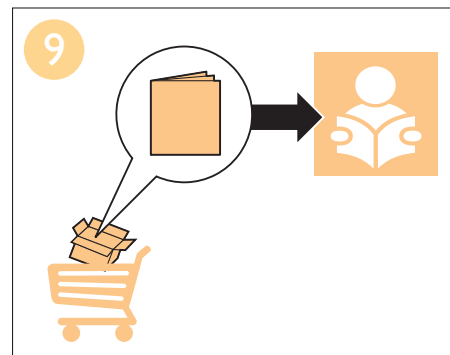
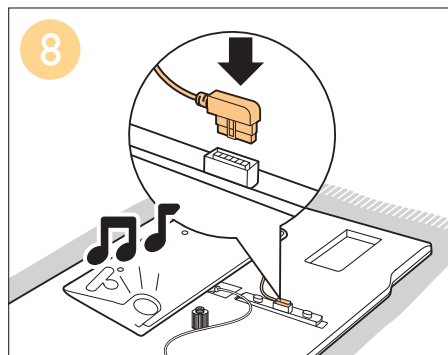
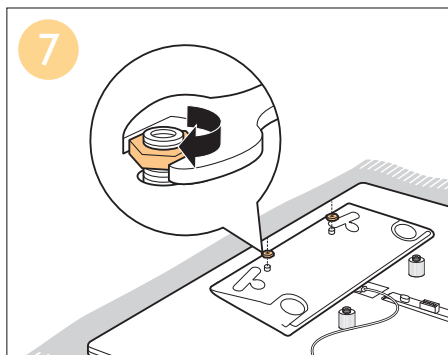
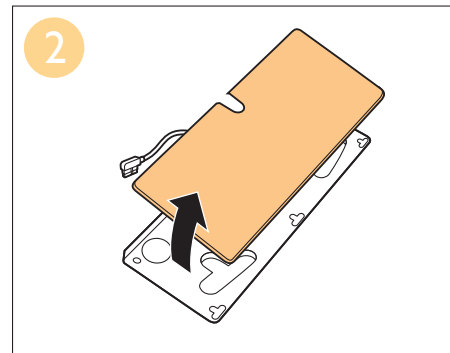
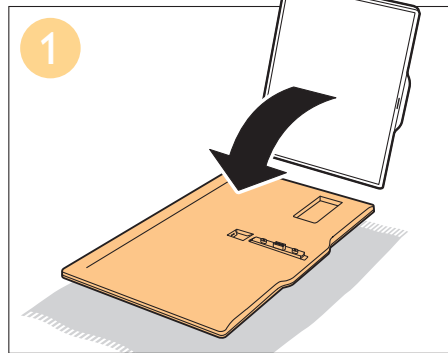
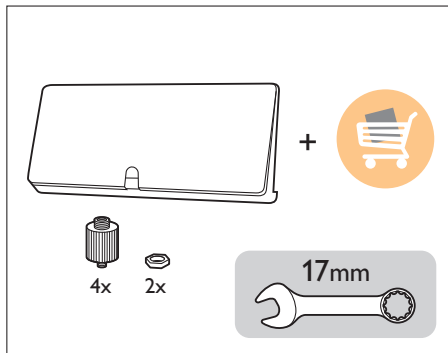


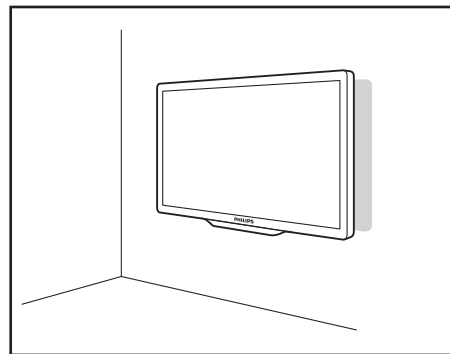
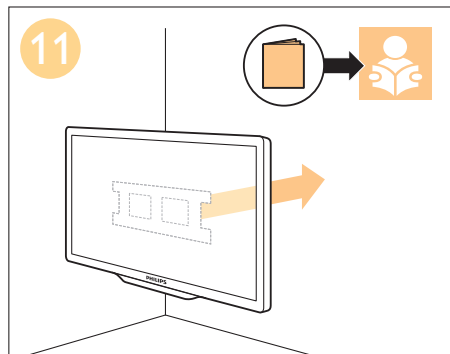
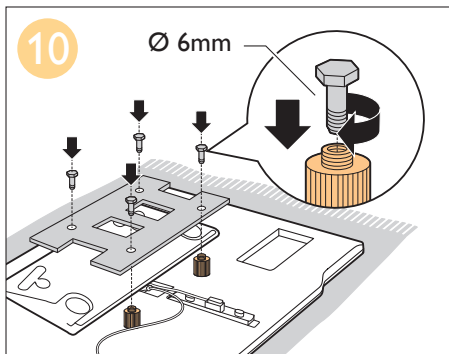
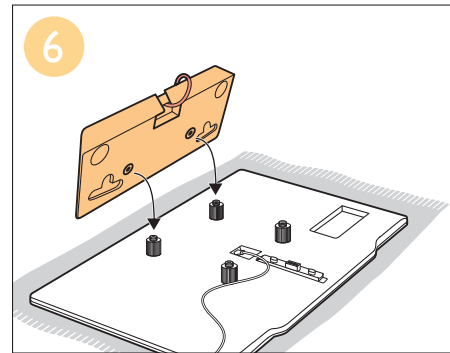
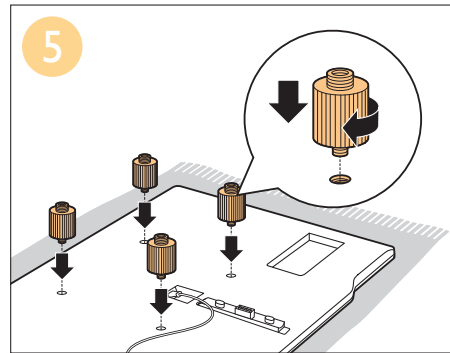
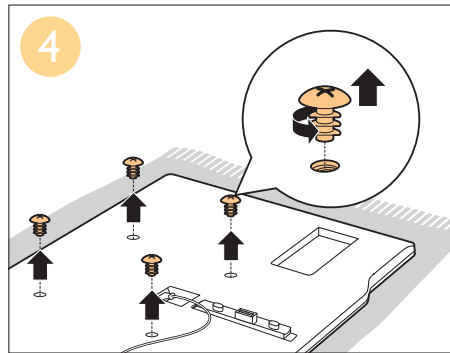
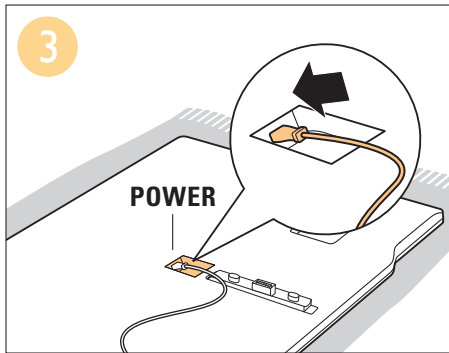


C

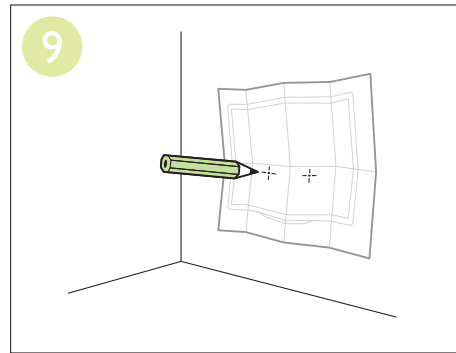
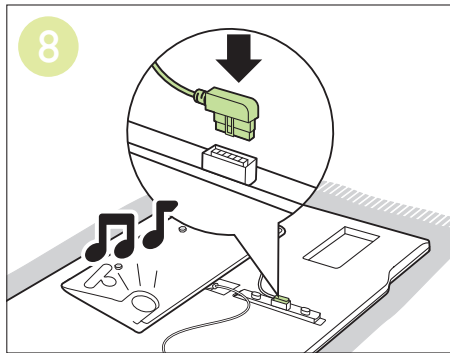
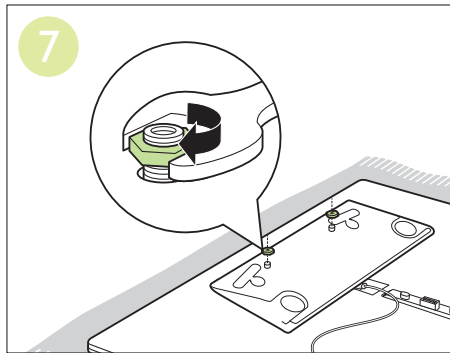
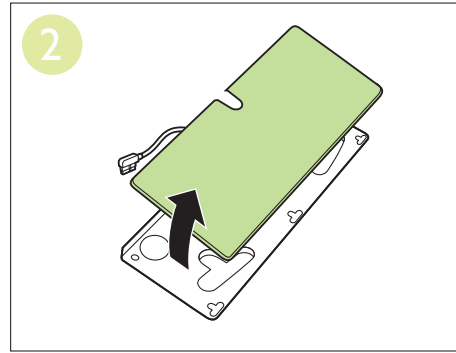
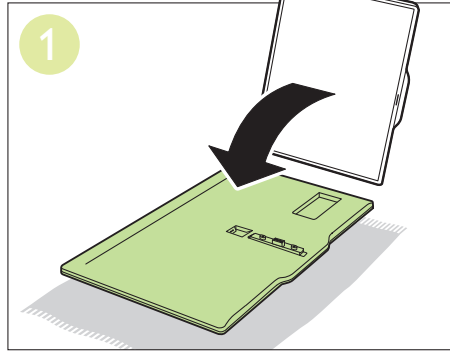
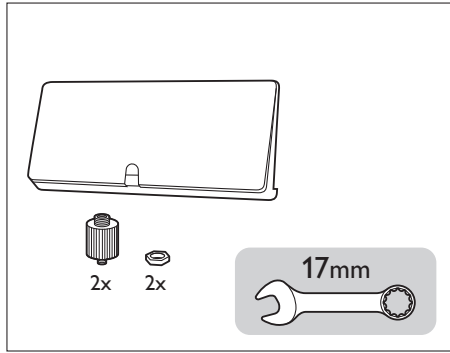
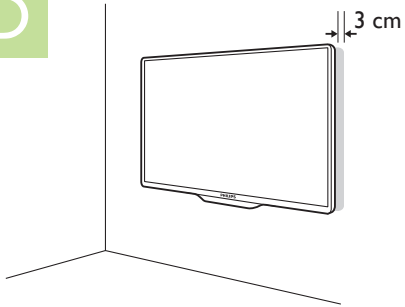


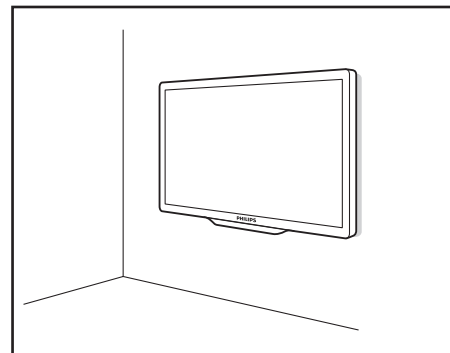
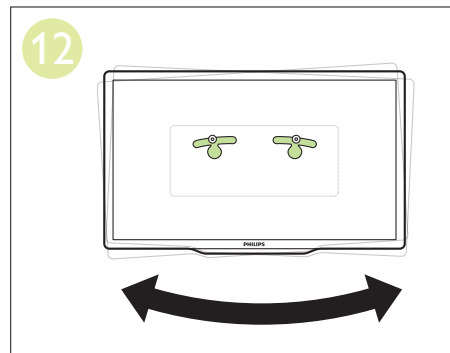
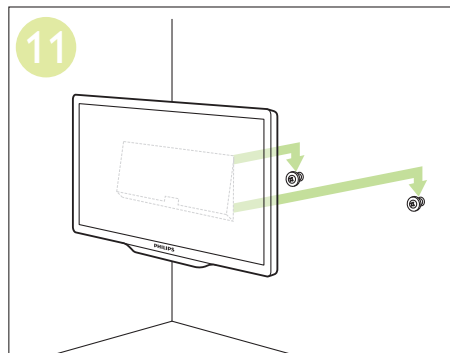
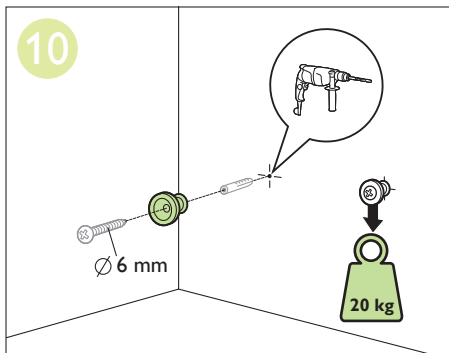
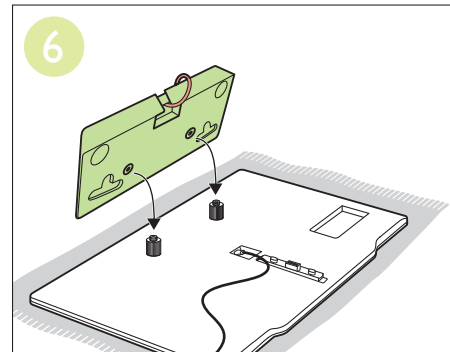
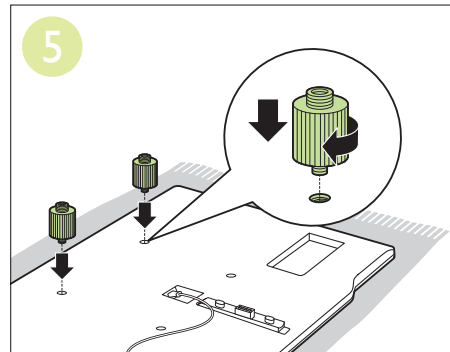
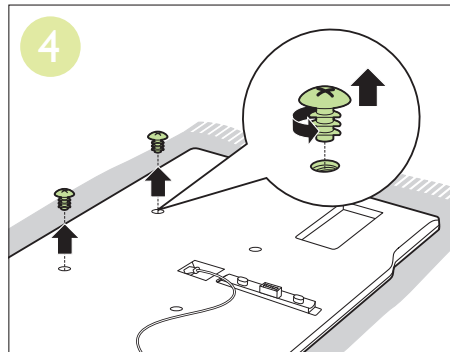
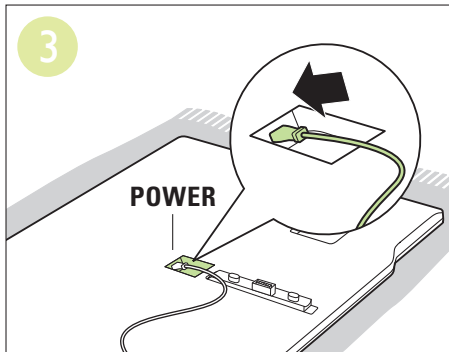
VESA
200x200, M6



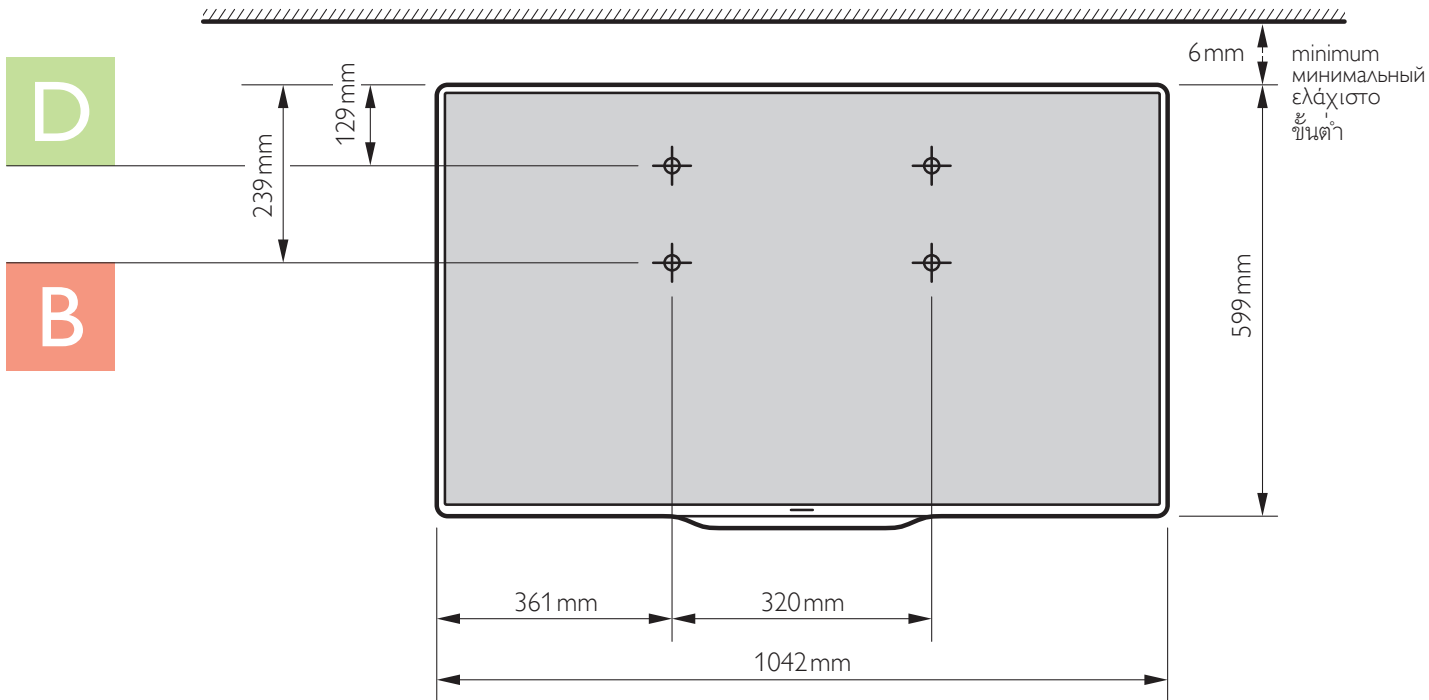
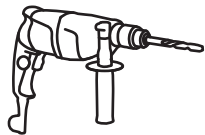


D

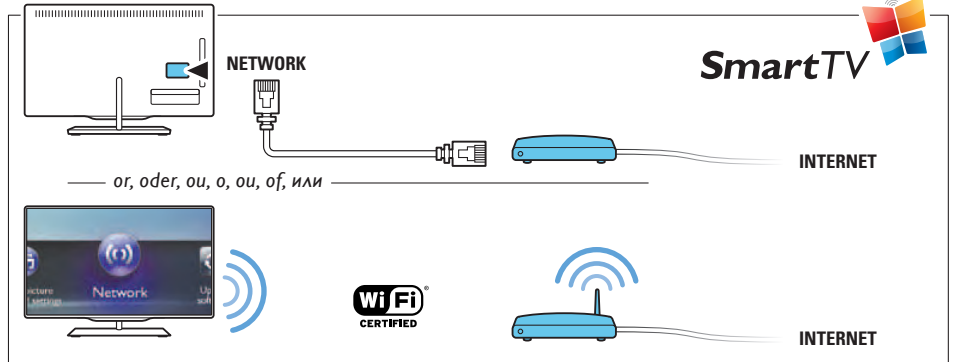
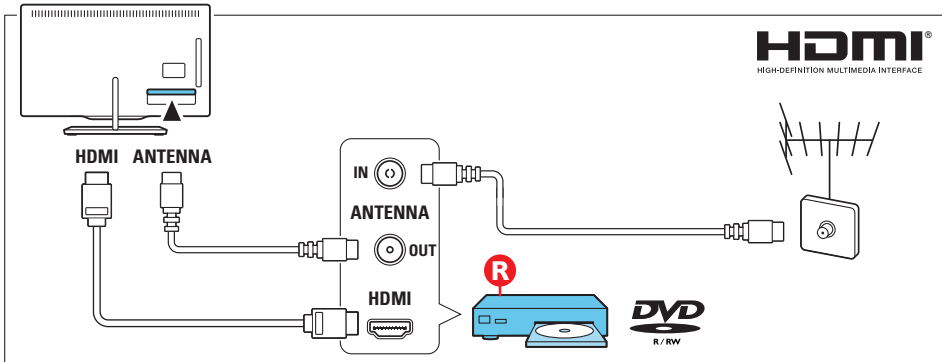
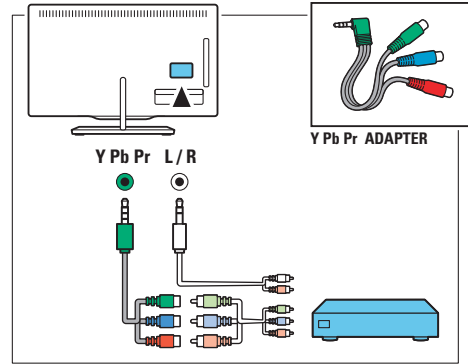
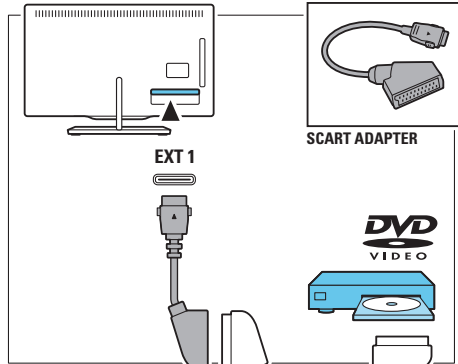
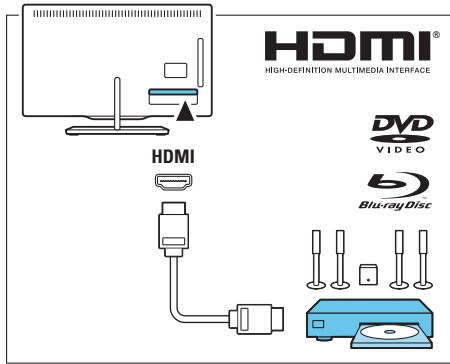


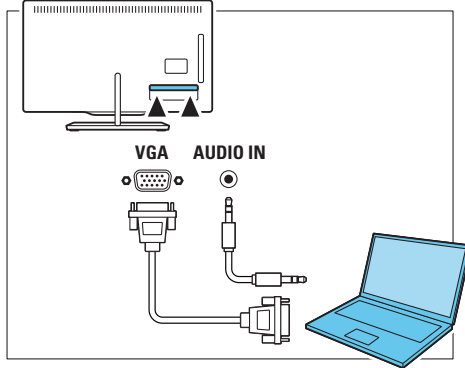
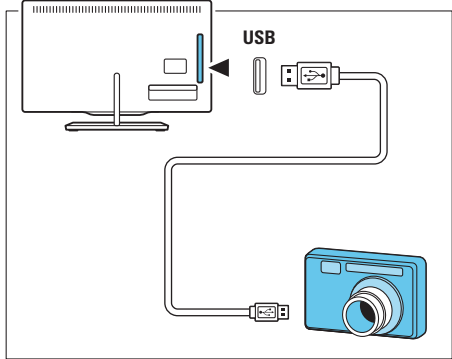
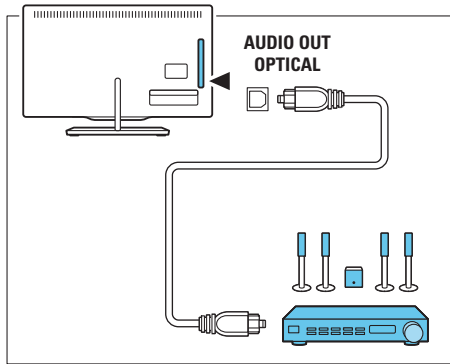
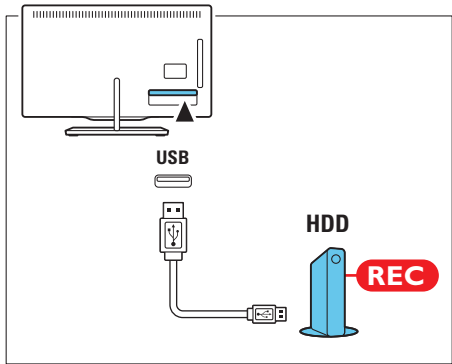


46PFL7007
46PFL8007

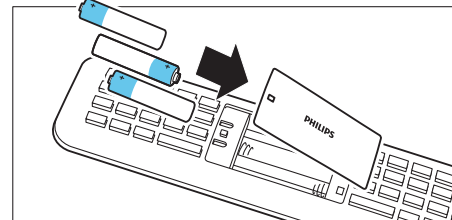
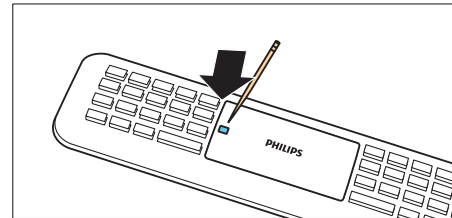


2

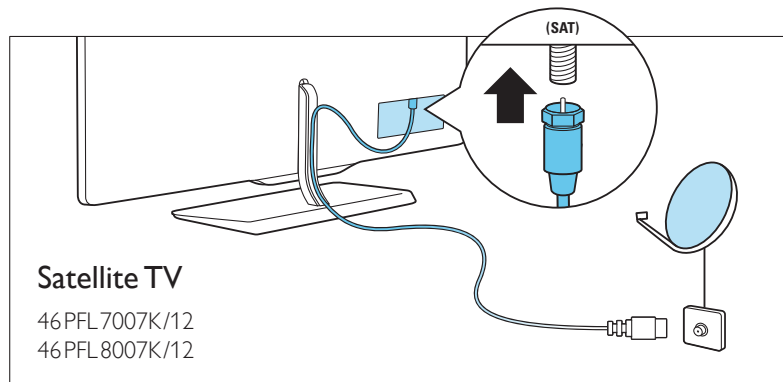
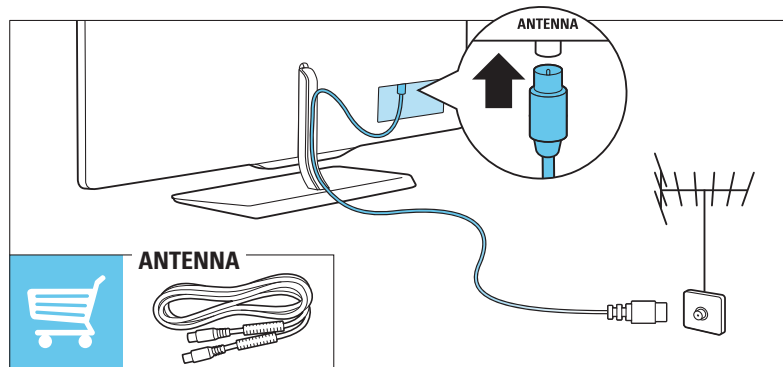




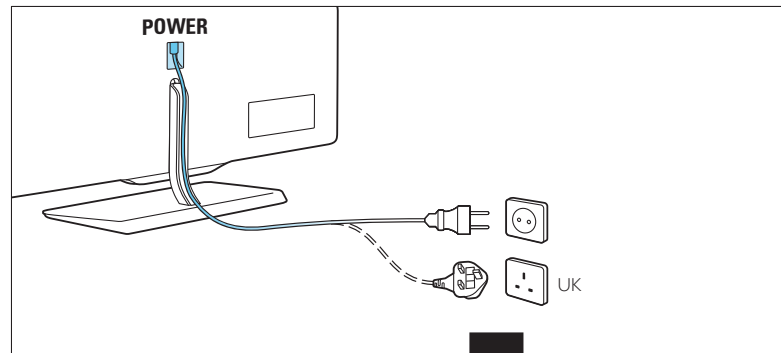
3

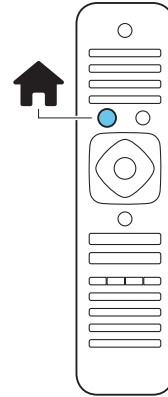


4



5





Help | Hilfe
Aide | Guida
Ayuda | Ajudar
Справка



► www.philips.com/support



English Safety & Warranty

Български Безопасност и Гаранция

Čeština Bezpečnost a Záruka

Hrvatski Sigurnost i Jamstvo

Dansk Sikkerhed og Garanti

Deutsch Sicherheit und Garantie

Ελληνικά Ασφάλεια και Εγγύηση

Eesti Ohutus ja Garantii

Español Seguridad y Garantía

Français Sécurité et Garantie

Italiano Sicurezza e Garanzia

Қазақша Қауіпсіздік - Қепілдік

Latviešu Drošība un Garantija

Lietuvių Saugumas ir Garantija

Magyar Biztonság és Garancia

Nederlands Veiligheid en Garantie

Norsk Sikkerhet og Garanti

Polski Bezpieczeństwo i Gwarancja

Português Segurança e Garantia

Română Siguranță și Garanție

Русский Безопасность и

Гарантировать

Srpski Bezbednost - Garancije

Slovenščina Varnost in Garancija

Slovenský Bezpečnosť a Záruka

Suomi Turvallisuus ja Takuu

Svenska Säkerhet och Garanti

ภาษาไทย ความปลอดภัยและการรับประกัน

Türkçe Güvenlik ve Garanti

Українська Безпека і Гарантія

عربي السلامة والضمان



www.philips.com/support



Specifications are subject to change without notice.

Philips and the Philips' shield emblem are registered trademarks of Koninklijke Philips Electronics N.V.

and are used under license from Koninklijke Philips Electronics N.V.

All registered and unregistered trademarks are property of their respective owners.

2012 © TP Vision Netherlands B.V. All rights reserved.

www.philips.com/tv

