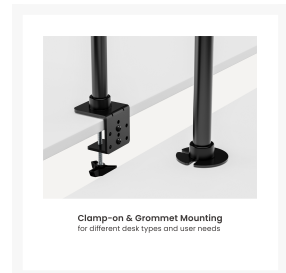
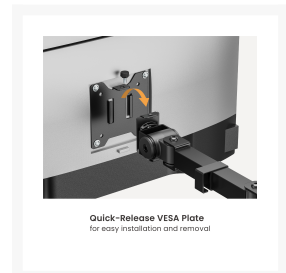
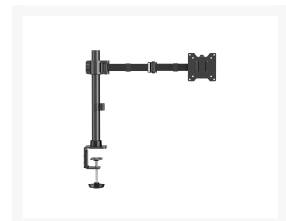
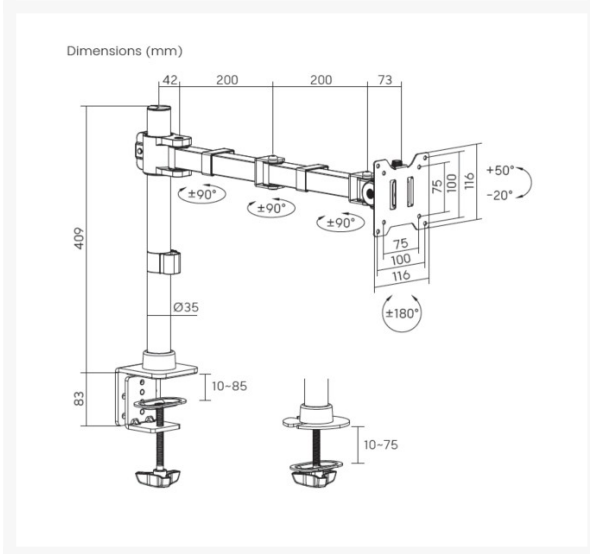


650175 17"-49" Heavy-Duty Articulating Monitor Desk Mount

Product Images





Short Description

- **Display support:** fits 17–49" monitor
- **Mounting:** Clamp or grommet installation
- **Max load:** 20 kg
- **VESA:** up to 100×100 mm (standards compliant)
- **Rotation:** 360° screen rotation
- **Adjustment:** Height adjustable, full-motion articulation
- **Cable management:** Built-in clips keep wires organized and protected
- **Quick-Release VESA Plate:** for easy installation and removal

Description

The 17"–49" Heavy-Duty Articulating Monitor Desk Mount is engineered to support large and ultra-wide monitors with maximum strength, stability, and flexibility. Designed for

monitors from 17" up to 49", including curved and ultra-wide displays, this mount is ideal for professional workstations, gaming setups, and control-room environments that demand reliable heavy-load support.

Built with reinforced steel and high-grade aluminum, the heavy-duty structure ensures exceptional load capacity and long-term durability. The fully articulating arm provides smooth height adjustment, tilt, swivel, and rotation, allowing users to position even large monitors at the optimal viewing angle for comfort and efficiency. Support for both portrait and landscape orientations adds versatility for multitasking and specialized workflows.

Additional Information

Harmonized System (HS) code.	852990
Customs product code (TARIC).	8529909600
Approval and Compliance.	ROHS, REACH
Package Contents.	17"-32" Heavy -Duty Articulating Dual Monitor Desk Mount Manual screws kits
Color.	Black
Model Number.	650175
Dimensions (W x D x H).	567 x 116 x 574 mm
Product weight (kg).	3.83
Cable management.	Yes
Quick Installation VESA Plate.	Yes
Installation.	Clamp,Grommet
Load Capacity (kg).	20
Material.	Plastic, Stainless Steel, Aluminum
Pan (Swivel) range.	+90°~-90°
Screen Rotation.	+180°~-180°
Screens support quantity.	1
Support Curved TV (Monitors).	Yes
Tilt range.	+50°~-20°
VESA compatibility.	75x75,100x100

