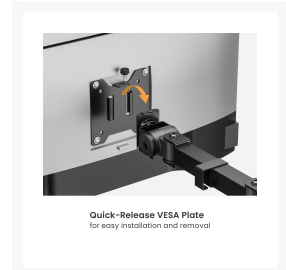


650177 17"-35" Heavy-Duty Articulating Dual Monitor Desk Mount

Product Images

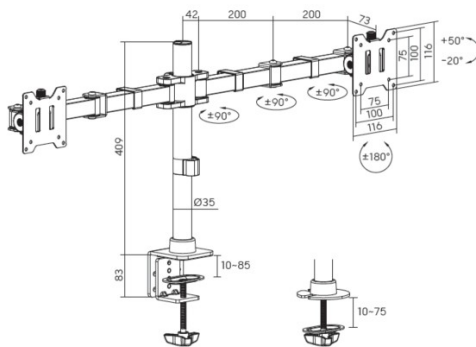




Clamp-on & Grommet Mounting
for different desk types and user needs



Dimensions (mm)



Short Description

- **Display Support:** fits 17–32" monitor
- **Load Capacity:** Max 20 kg (per screen), 40kg in Total
- **Mounting:** Clamp 10–85 mm / Grommet 10–40 mm
- **VESA:** 100×100 standards-compliant
- **Motion:** Full-motion arm with 360° screen rotation
- **Ergonomics:** Height adjustment and free-tilt viewing
- **Orientation:** Portrait or landscape
- **Quick Install:** Detachable VESA plate
- **Cable Management:** Built-in clips keep cords protected

Description

The 17"–35" Heavy-Duty Dual Monitor Desk Mount is designed to provide exceptional

strength, stability, and flexibility for demanding dual-display setups. Supporting two monitors from 17" to 35", including larger and curved screens, this mount is ideal for gaming stations, professional offices, trading desks, and creative work environments that require reliable heavy-load performance.

Constructed from reinforced steel and high-grade aluminum, the heavy-duty structure ensures excellent load capacity and long-term durability. Each articulating arm allows independent adjustment of height, tilt, swivel, and rotation, enabling precise monitor positioning for optimal ergonomics and viewing comfort. Both portrait and landscape orientations are supported, offering flexibility for multitasking, content creation, and data-intensive workflows.

Additional Information

Harmonized System (HS) code.	852990
Customs product code (TARIC).	8529909600
Approval and Compliance.	ROHS, REACH
Package Contents.	17"-35" Heavy-Duty Dual Monitor Desk Mount Manual screws kits
Color.	Black
Model Number.	650177
Dimensions (W x D x H).	1002 x 125 x 574 mm
Product weight (kg).	5.33
Cable management.	Yes
Quick Installation VESA Plate.	Yes
Installation.	Clamp,Grommet
Load Capacity (kg).	20
Material.	Plastic, Stainless Steel, Aluminum
Mount.	Desk mount
Pan (Swivel) range.	+90°~-90°
Screen Rotation.	+180°~-180°
Screens support quantity.	2
Support Curved TV (Monitors).	Yes
Tilt range.	+50°~-20°
VESA compatibility.	75x75,100x100

