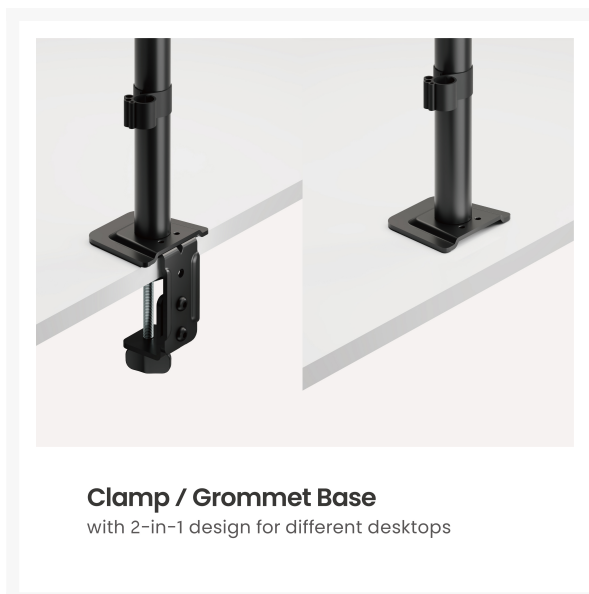
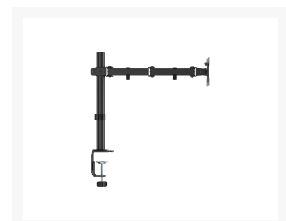
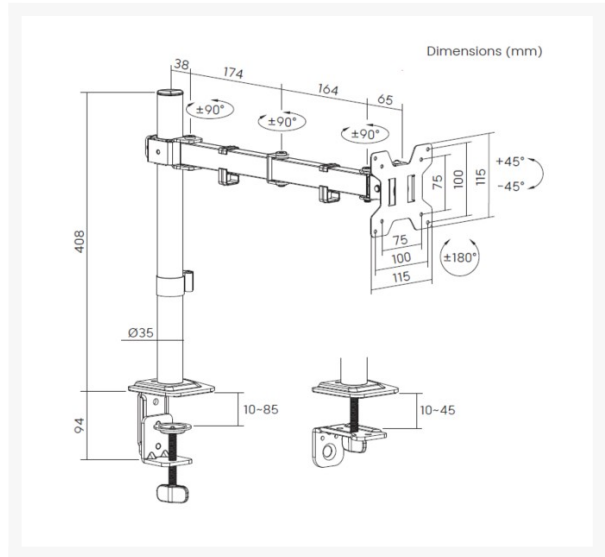


650174 17"-32" Articulating Monitor Desk Mount

Product Images





Short Description

- **Display support:** fits 17–32" monitor
Mounting: Clamp or grommet installation
- **Max load:** 10 kg
- **VESA:** up to 100×100 mm (standards compliant)
- **Rotation:** 360° screen rotation
- **Adjustment:** Height adjustable, full-motion articulation
- **Cable management:** Built-in clips keep wires organized and protected

Description

The 17"–32" Articulating Monitor Desk Mount is a flexible and ergonomic mounting solution designed to improve comfort, productivity, and workspace efficiency. Suitable for monitors ranging from 17" to 32", it supports most flat and curved displays with standard VESA mounting patterns, making it ideal for office, home, and professional environments.

Featuring a fully articulating arm, the mount allows smooth and precise adjustment of height, tilt, swivel, and rotation. Users can easily position the monitor at the optimal viewing angle to reduce neck and eye strain, while support for both portrait and landscape orientations provides added versatility for different applications such as coding, document editing, and design work.

Additional Information

Harmonized System (HS) code.	852990
Customs product code (TARIC).	8529909600
Approval and Compliance.	ROHS, REACH
Package Contents.	17"-32" Articulating Monitor Desk Mount Manual screws kits
Color.	Black
Model Number.	650174
Dimensions (W x D x H).	482 x 114 x 548 mm
Product weight (kg).	2.28
Cable management.	Yes
Quick Installation VESA Plate.	Yes
Load Capacity (kg).	10
Material.	Plastic, Stainless Steel
Mount.	Desk mount
Pan (Swivel) range.	+90°~-90°
Screen Rotation.	+180°~-180°
Screens support quantity.	1
Support Curved TV (Monitors).	Yes
Tilt range.	+45°~-45°
VESA compatibility.	75x75,100x100

