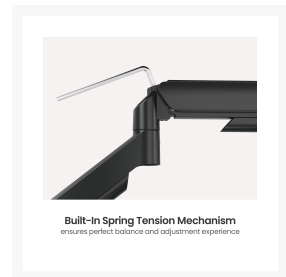
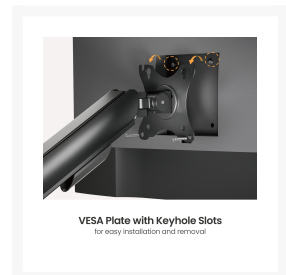
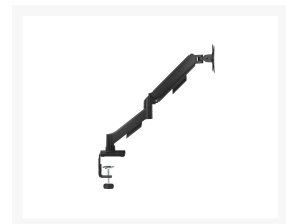


# 650130 17"-32" Monitor Desk Mount

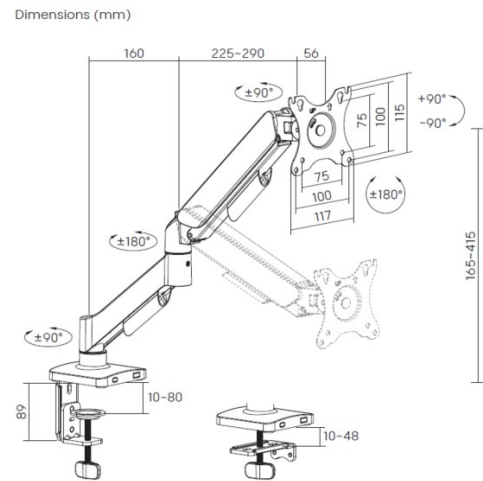
## Product Images

---





**Quick-Release Joint**  
for a compact package and easy assembly



## Short Description

- **Compatibility:** 17–32" monitors
- **Capacity:** Max load 9 kg
- **VESA:** Up to 100×100; standards compliant
- **Motion:** 360° rotation with tilt/swivel/height adjust
- **Mechanism:** Gas spring for smooth, counterbalanced movement
- **Mounting:** Clamp or grommet
- **Cable Mgmt:** Built-in routing for a tidy setup

## Description

The 17"–32" Monitor Desk Mount is a practical and ergonomic solution designed to enhance comfort, productivity, and desk organization. Compatible with monitors ranging

from 17" to 32", it supports most flat and curved displays that follow standard VESA mounting patterns, making it suitable for home offices, corporate workstations, and professional environments.

The mount allows smooth adjustment of height, tilt, swivel, and rotation, enabling users to position the monitor at an optimal viewing angle. Support for both portrait and landscape orientations provides flexibility for tasks such as document editing, coding, graphic design, and general multitasking. By improving monitor positioning, the mount helps reduce neck and eye strain during extended periods of use.

## Additional Information

---

Harmonized System (HS) code.	852990
Customs product code (TARIC).	8529909600
Approval and Compliance.	ROHS, REACH
Package Contents.	17"-32" Monitor Desk Mount Manual screws kits
Color.	Black
Model Number.	650130
Dimensions (W x D x H).	493 x 117 x 564 mm
Product weight (kg).	2.2
Cable management.	Yes
Quick Installation VESA Plate.	No
Installation.	Clamp,Grommet
Load Capacity (kg).	9
Material.	Plastic, Stainless Steel
Mount.	Desk mount
Pan (Swivel) range.	+90°~-90°
Screen Rotation.	+180°~-180
Screens support quantity.	1
Support Curved TV (Monitors).	Yes
Tilt range.	+90°~-90°
VESA compatibility.	75x75,100x100

