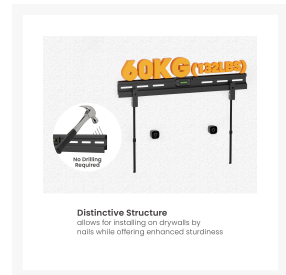
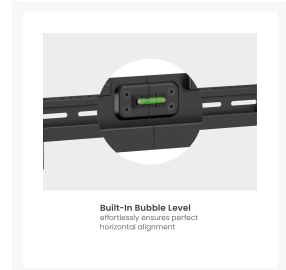
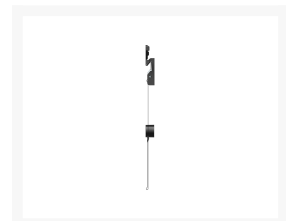
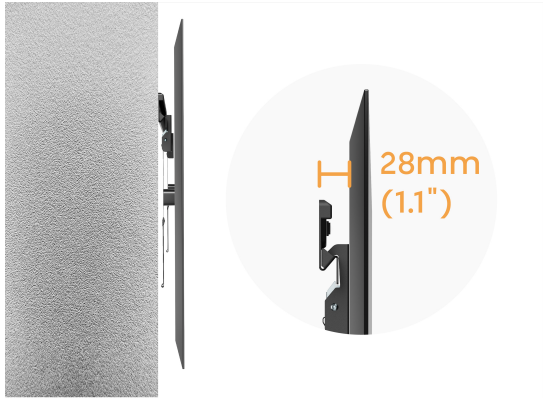


650364 37"-86" No Drill, Studless TV Wall Mount Bracket

Product Images





Ultra-Slim Profile
for a minimalist look to save space

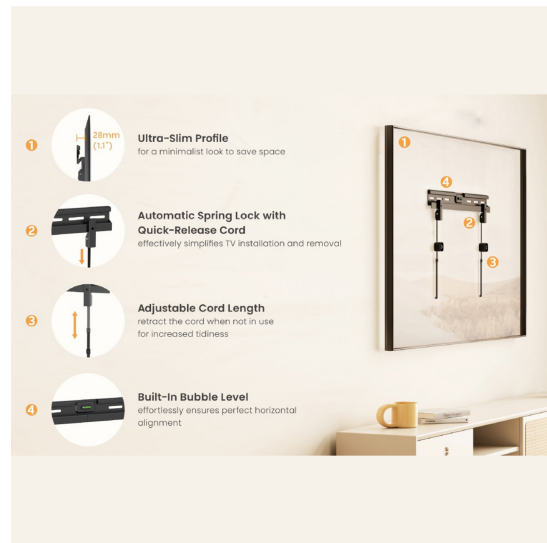


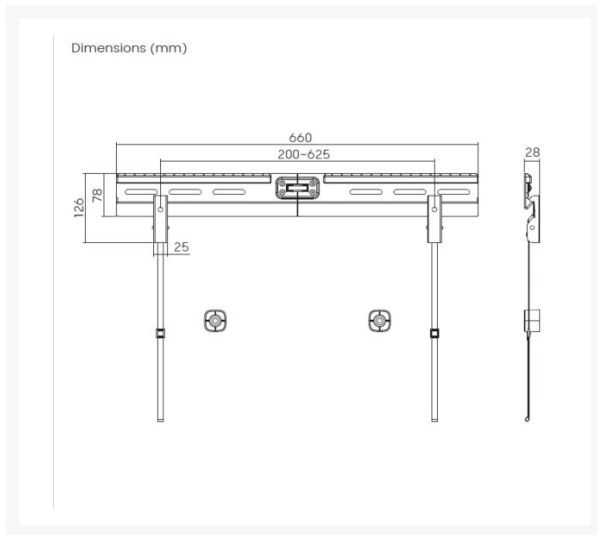
Automatic Spring Lock with Quick-Release Cord

Adjustable Cord Length



Picture-Hanging Style
finishes the installation in minutes





Short Description

- Display Support: 37–86" monitors
- **VESA compliant:** Supports mounting patterns up to 600 × 400.
- **Strong load capacity:** Rated to hold TVs up to 60 kg.
- **Mounting: Picture Hanging Style:** for a quick and easy installation
- **Adjustable Cord Length:** draw in the cord when not in use for tidiness
- **Leveling:** Built-in bubble level for precise alignment
- **Mount Type:** 2 kinds of insall solutions, suitable for Drywalls & Solid walls
- **Drywalls:** no drilling required

Description

The 37"–86" No Drill TV Wall Mount Bracket offers a secure, practical, and installation-friendly solution for mounting large flat-panel TVs without damaging your walls. Designed for users who want a clean setup without permanent modifications, this bracket eliminates the need for drilling while still providing excellent stability and load support. It is ideal for rental apartments, offices, hotels, and any environment where wall integrity must be preserved.

Compatible with most 37" to 86" flat-screen TVs, the mount supports a wide range of VESA patterns and accommodates modern LED, LCD, and OLED displays. The robust steel construction ensures long-term durability and reliable performance, even with larger and heavier screens. A low-profile design keeps the TV close to the wall, delivering a sleek, space-saving appearance that blends seamlessly into modern interiors.

Additional Information

Harmonized System (HS) code.	852990
Customs product code (TARIC).	8529909600
Approval and Compliance.	ROHS, REACH
Package Contents.	37"-86" No Drilling TV Wall Mount Bracket Manual screws kits
Color.	Black
Model Number.	650364
Dimensions (W x D x H).	660 x 28 x 126 mm
Product weight (kg).	1.5
Anti-theft.	No
Cable management.	No
Bracket type.	Fixed
Load Capacity (kg).	60
Material.	Plastic, Stainless Steel
Screens support quantity.	1
Support Curved TV (Monitors).	Yes
VESA compatibility.	200x200,300x200,400x200, 300x300,400x300,400x400, 600x400

