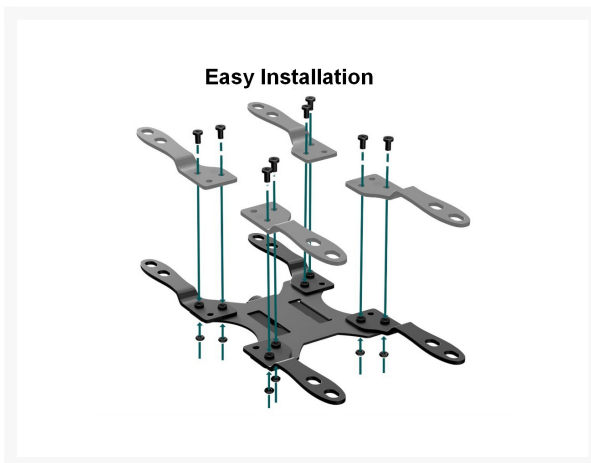
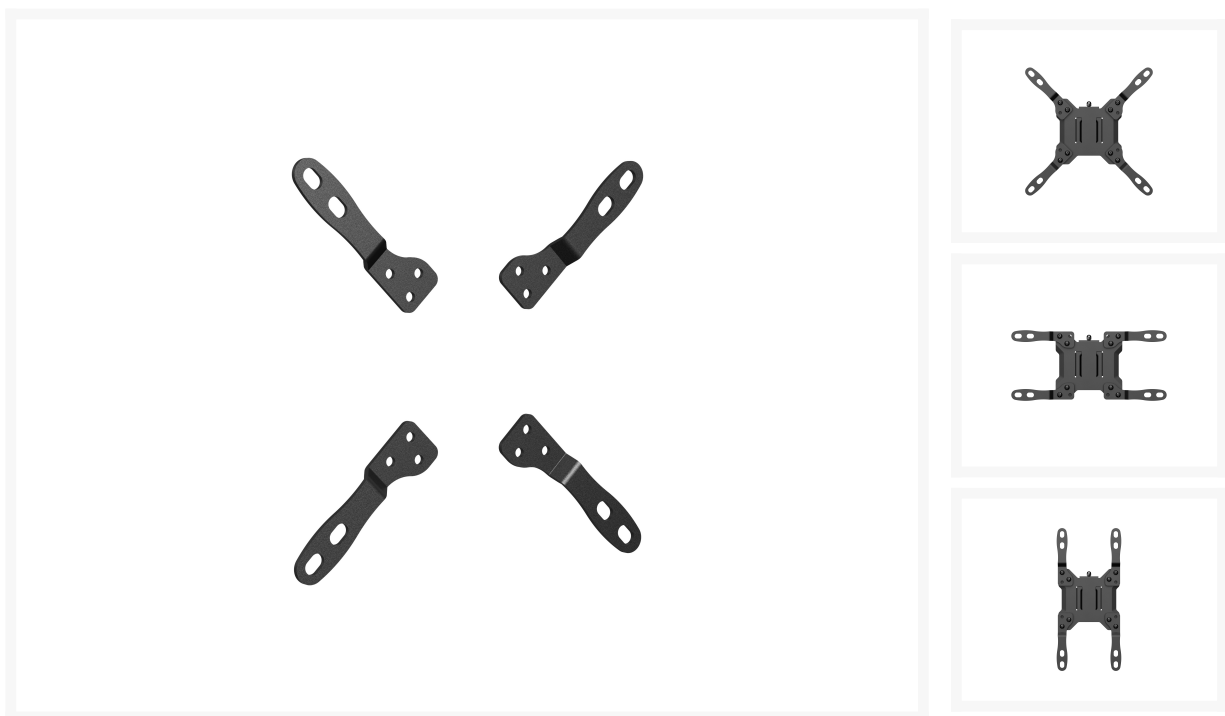
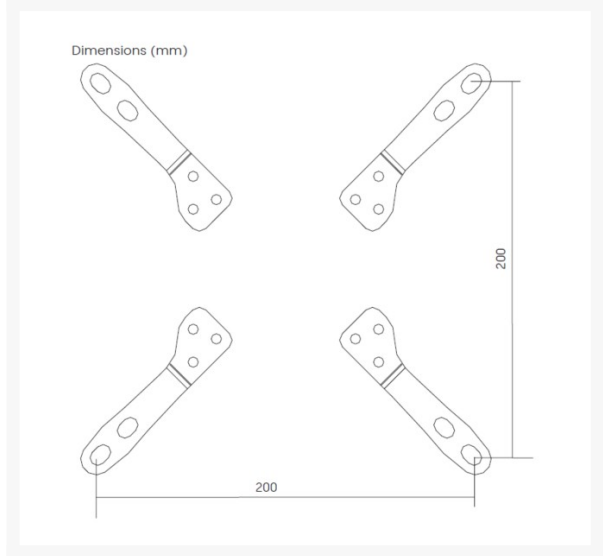


650150 23"-42" Monitor VESA Extension Adapter- 200x200

Product Images





Short Description

- **Compatibility:** 23–42" monitors
- **VESA:** 200x200 VESA Extension Adapter Arm
- **Capacity:** 30 kg max per screen
- **Easy Assembly:** Installation is as easy as 1-2-3
- **VESA Support:** compliant with 100x200, 200x100 and 200x200

Description

The 23"–42" Monitor VESA Extension Adapter (200×200) is a practical mounting solution designed to expand VESA compatibility between monitors and mounting systems. It allows monitors with smaller or non-matching VESA patterns to be securely installed on mounts or wall brackets that require a 200×200 mm VESA interface. This makes it an ideal accessory for upgrading existing monitor arms, desk mounts, or wall mounts without replacing the entire mounting system.

Compatible with monitors ranging from 23" to 42", the adapter supports most flat and

curved displays commonly used in office, commercial, and professional environments. Manufactured from high-strength steel, it provides excellent load capacity and long-term stability, ensuring safe and reliable support for daily use.

Additional Information

Harmonized System (HS) code.	852990
Customs product code (TARIC).	8529909600
Approval and Compliance.	ROHS, REACH
Package Contents.	23"-42" Monitor VESA Extension Adapter screws kits
Color.	Black
Model Number.	650150
Dimensions (W x D x H).	215 x 215 x 10 mm
Product weight (kg).	0.26
Cable management.	No
Quick Installation VESA Plate.	No
Load Capacity (kg).	30
Material.	Stainless Steel
Mount.	DIN rail mount
Screens support quantity.	1
Support Curved TV (Monitors).	No
VESA compatibility.	200x100,200x200

