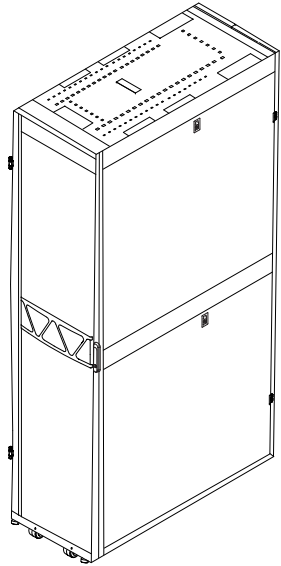




NetShelter™ SX Shock Packaging

Unpacking & Repacking Guide

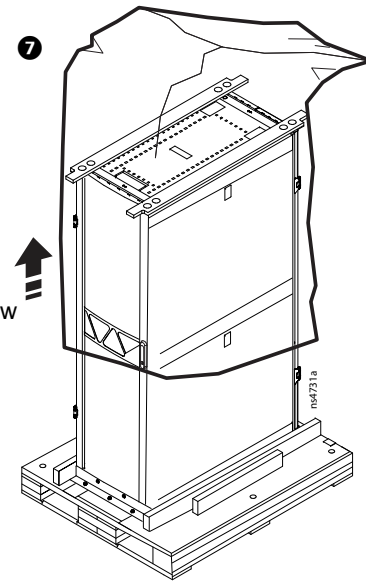
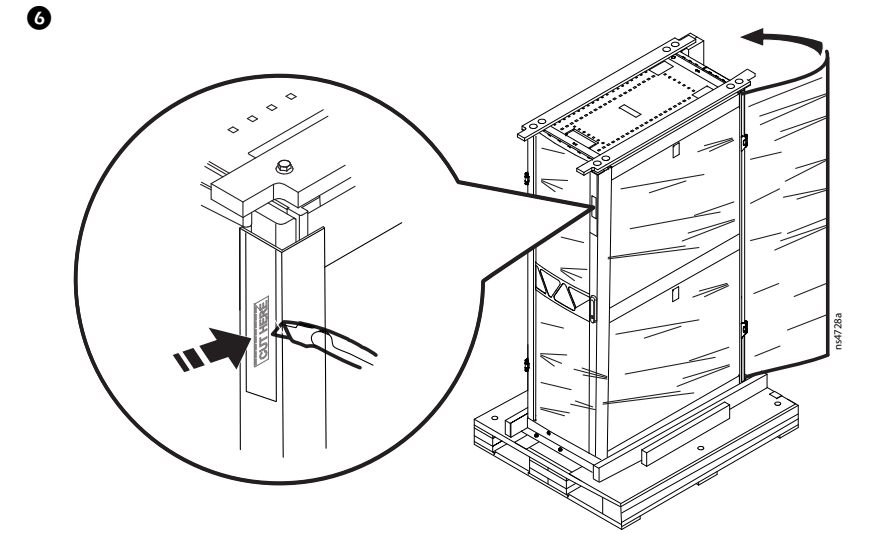
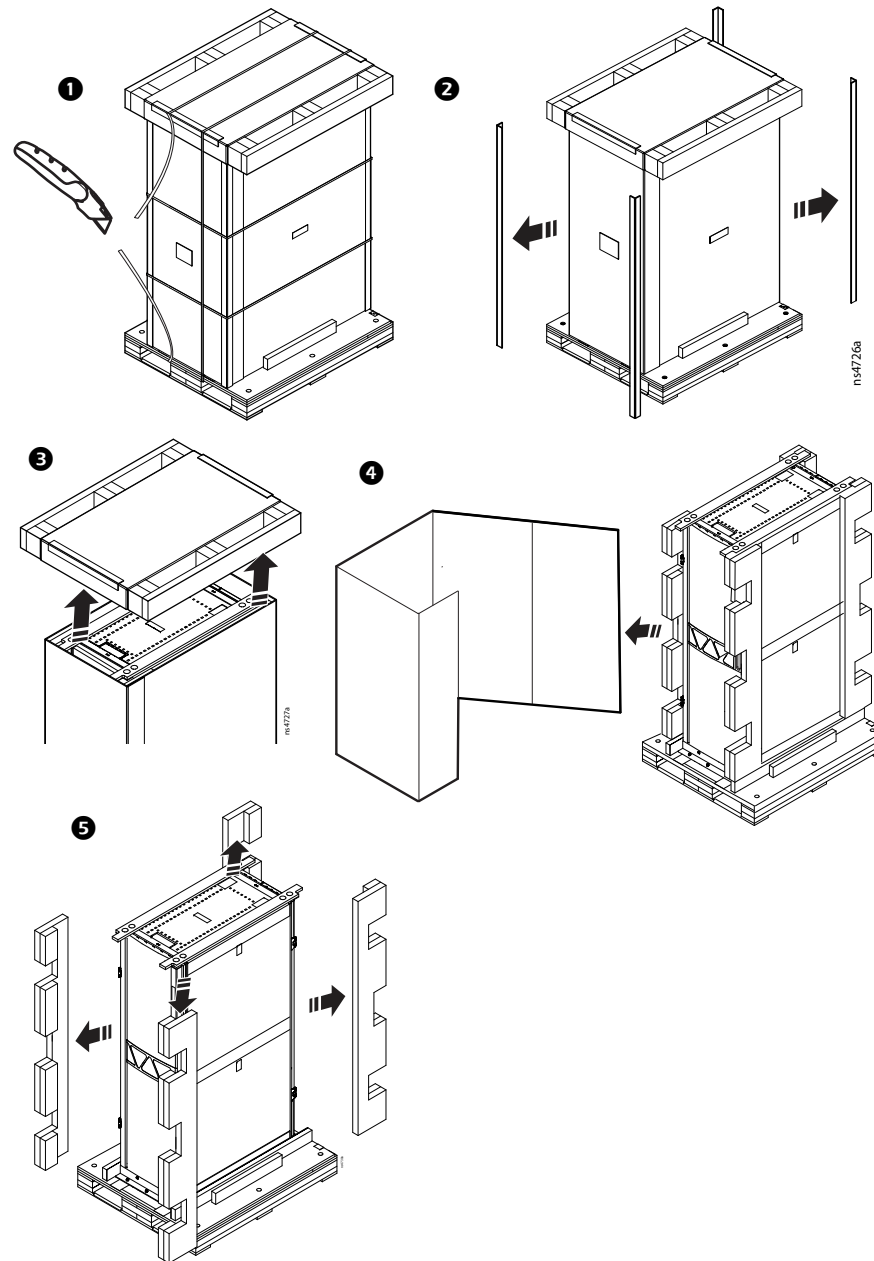
AR31XXSPB2 and AR33XXSPB2



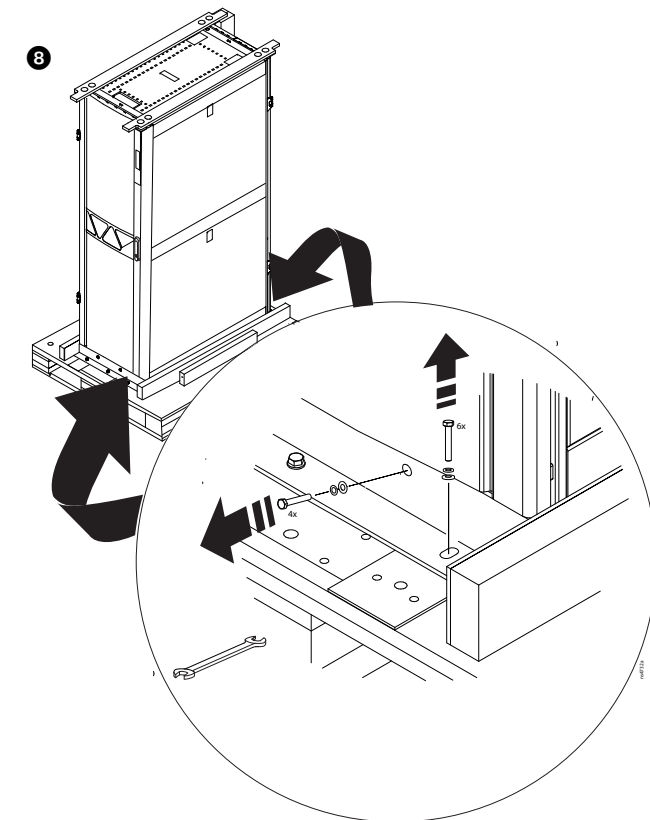
Weight and Dimensions (continued)

SKU	Cabinet Weight (unloaded) kg (lb)	Depth [Ⓐ] mm (in.)		Width [Ⓑ] mm (in.)			Height [Ⓒ] mm (in.)		
		1070 (42.1)	1200 (47.2)	600 (23.6)	750 (29.5)	800 (31.5)	1991 (78.4) 42U	2124 (83.6) 45U	2258 (88.9) 48U
AR3100SPB2	130 (287)	•		•			•		
AR3150SPB2	157 (345)	•			•		•		
AR3180SPB2	161 (354)	•				•	•		
AR3300SPB2	144 (316)		•	•			•		
AR3350SPB2	171 (376)		•		•		•		
AR3380SPB2	175 (385)		•			•	•		
AR3105SPB2	137 (302)	•		•			•		
AR3155SPB2	165 (363)	•			•		•		
AR3305SPB2	152 (334)		•	•			•		
AR3355SPB2	180 (396)		•		•		•		
AR3107SPB2	144 (317)	•		•				•	
AR3157SPB2	173 (380)	•			•			•	
AR3187SPB2	178 (391)	•				•		•	
AR3307SPB2	158 (348)		•	•				•	
AR3357SPB2	188 (414)		•		•			•	
AR3387SPB2	193 (425)		•			•		•	

Unpacking Guide



NOTE: System integrators stop the unpacking process at Step 7. Install your equipment, then follow the Repacking Instructions on page 2 of this document.



www.apc.com

NOTE: You must purchase a ramp (AR9000RAMPX886) to unload the cabinet.

⚠ WARNING

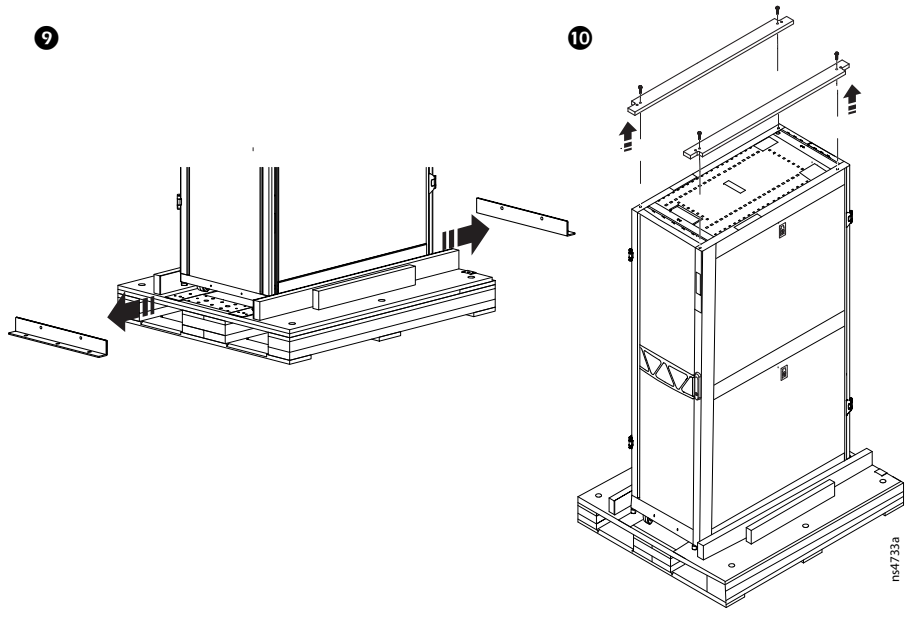
HEAVY EQUIPMENT HAZARD

- Verify that the installation site is structurally capable of supporting the combined weights of the cabinet and the installed equipment (see the **Weight and Dimensions** table).
 - Do not use eye bolts or other means to lift the cabinet.
 - Use at least four people to unpack and move the cabinet.
- Failure to follow these instructions can result in death, serious injury, or equipment damage.**

Weight and Dimensions

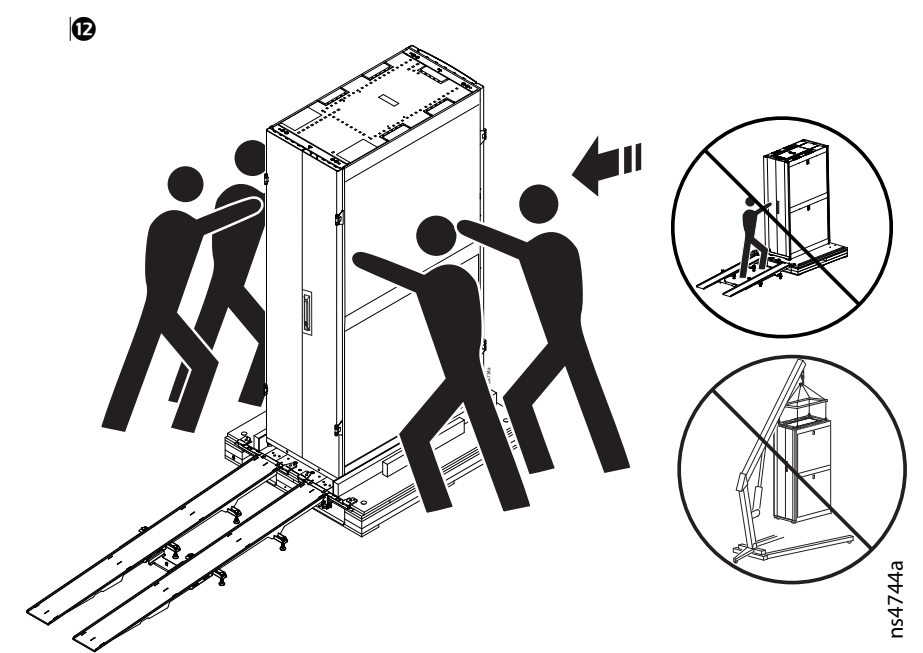
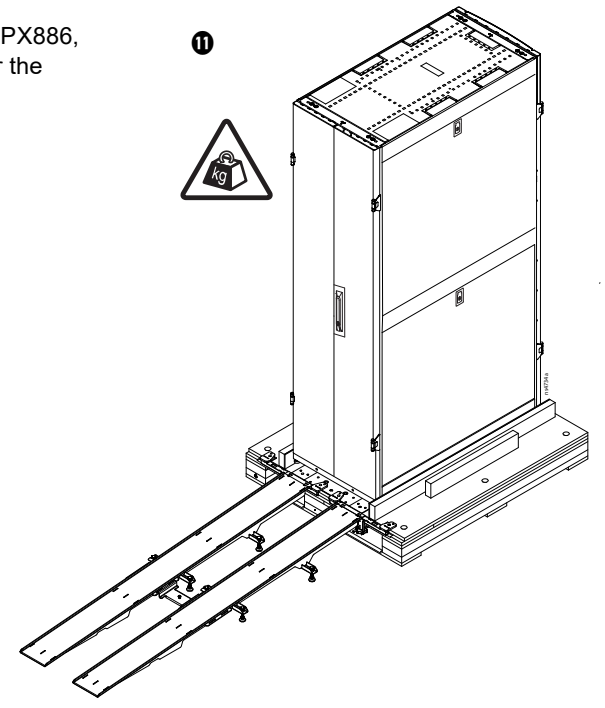
		Maximum Installed Equipment Weight		
		Shipping kg (lb)	Rolling kg (lb)	Static* kg (lb)
		1136 (2500)	1136 (2500)	1931 (4250)

Unpacking Guide (continued)

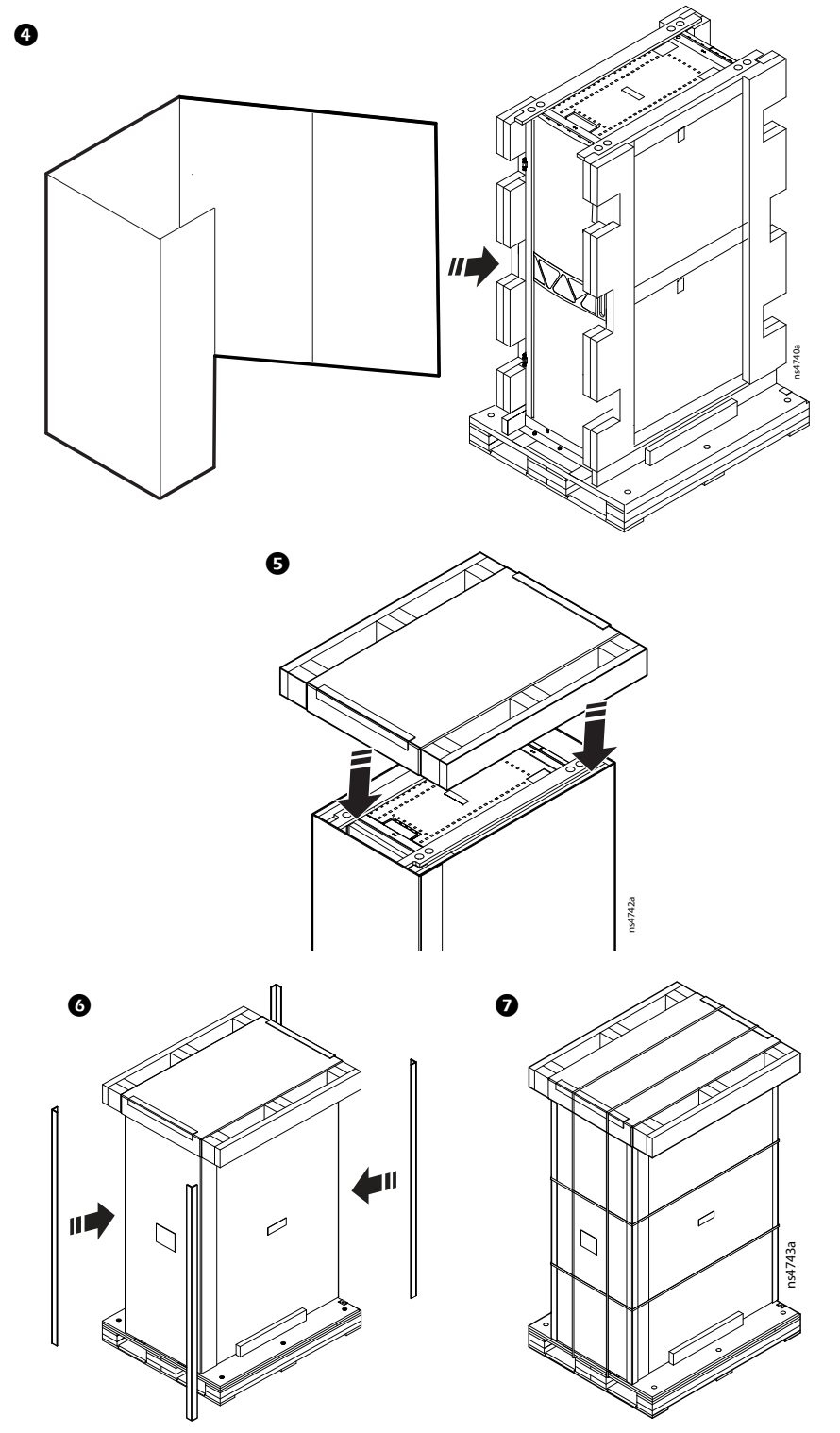
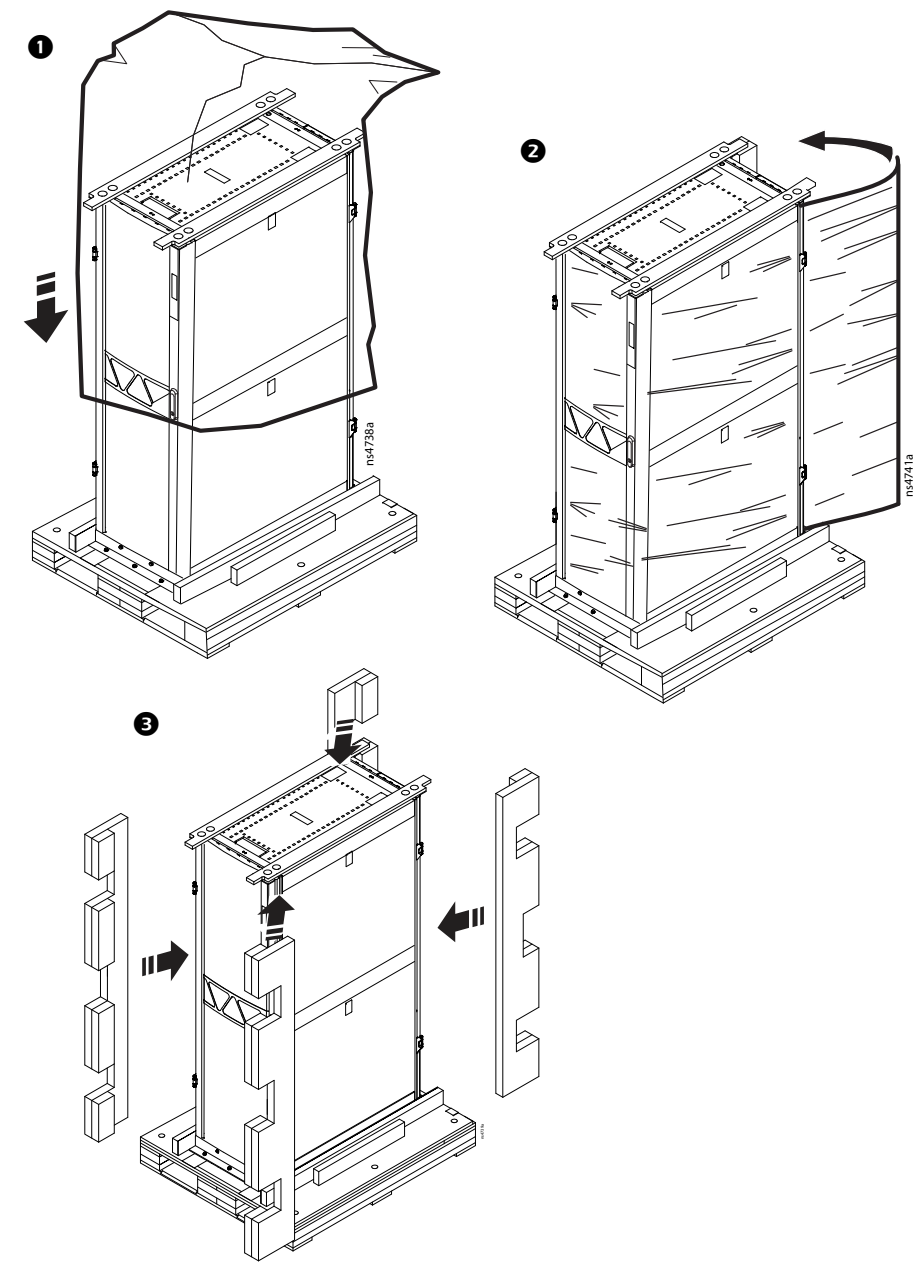


Attach the ramp (AR9000RAMPX886, not provided) to the pallet near the rear of the cabinet.

See the ramp documentation for instructions.



Repacking Guide



⚠ WARNING

HEAVY EQUIPMENT/TIP HAZARD

- Do not use eye bolts or other means to lift the cabinet.
- This cabinet is easily tipped. Use extreme caution when moving.
- Use at least four people to unpack and move the cabinet.
- Before moving the cabinet on its casters, load 159 kg (350 lbs) of equipment into the bottom of the cabinet for extra stability.
- When moving the cabinet on its casters:
 - Be sure the leveling feet are up.
 - Be sure that movers are positioned at the sides of the cabinet and that no people or objects are in the path of the cabinet.
 - Push the cabinet only forward or backward. Do not push the cabinet sideways.

Failure to follow these instructions can result in death, serious injury, or equipment damage.

Worldwide Customer Support

Contact www.se.com for more information.
© 2025 Schneider Electric. All rights reserved.