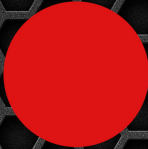


Hardware Maintenance Manual

Lenovo
ThinkStation



Lenovo

ThinkStation P2 Tower Gen 2

First Edition (June 2025)

© Copyright Lenovo 2025.

LIMITED AND RESTRICTED RIGHTS NOTICE: If data or software is delivered pursuant to a General Services Administration "GSA" contract, use, reproduction, or disclosure is subject to restrictions set forth in Contract No. GS-35F-05925.

Contents

Chapter 1. Important safety information 1

General safety	1
Electrical safety	2
Safety inspection guide	3
Handling electrostatic discharge-sensitive devices	4
Grounding requirements	4
Safety notices (multi-lingual translations)	4

Chapter 2. Important service information 27

Strategy for replacing FRUs	27
Strategy for replacing a hard disk drive or a solid-state drive	27
Important notice for replacing a system board	27
How to use error codes	28
Strategy for replacing FRUs for CTO, special-bid, and standard models.	28
Product definition	28
FRU identification	28

Chapter 3. Product overview 29

Front	29
Rear	31

Chapter 4. Specifications and expansion 33

Basic specifications	33
Memory	34
On-board M.2 SSD	35
PCIe card	36
SD card	37
Storage drive	37

Chapter 5. Service checkout and symptom-to-FRU index 39

Service checkout	39
Problem determination tips	39
Symptom-to-FRU index	40
Hard disk drive boot error	40
Power supply problems	41
Beep symptoms	41
POST error codes	42
Miscellaneous error conditions	43
Undetermined problems	45
Recover from a BIOS update failure	45

Clear CMOS	46
----------------------	----

Chapter 6. RAID 47

What is RAID	47
Configure RAID with Intel RST configuration utility	47

Chapter 7. Diagnostics 49

Basic procedure for resolving computer problems	49
UEFI diagnostic program	49
Lenovo diagnostic tools	50
Self-help resources	50

Chapter 8. Hardware removal and installation 53

Service tool kit	53
Major FRUs and CRUs	55
CRU list	55
FRU list	57
System board illustration	57
Prerequisites for hardware replacement	59
Handling static-sensitive devices	61
Side cover	61
Slim-ODD-relevant parts	62
Slim ODD	62
Slim-ODD latch	63
Slim-ODD bezel	64
Slim-ODD cage	66
Front bezel	67
Storage	68
3.5-inch internal storage drive	69
3.5-inch internal storage drive cage	70
Storage drive in the front-access storage enclosure or optional storage drive cage	70
Front-access storage enclosure or 3.5-inch optional storage drive cage	72
2.5-inch optional storage drive cage	73
On-board M.2 SSD and heat sink	74
On-board M.2 SSD holder	77
M.2 SSD and heat sink in an M.2 SSD PCIe adapter card	77
Side fan with bracket	79
PCIe cards	80
PCIe card replacement rule	80
PCIe card bracket	81
PCIe adapter card	81
Graphics card holder	82
Graphics card	83
ODD EMI shielding	87

HDD EMI shielding	88	ThinkStation LED	103
Front fan	89	Thermal sensor	104
E-lock	90	Heat-sink-and-fan assembly.	105
Internal speaker.	91	Front I/O bracket, power button cable, and card reader	108
Rear fan	92	Flexible I/O port card.	109
Smart cable clip.	93	CPU	111
Rear Wi-Fi antenna cover	94	System board	113
Chassis beam	95	Rear I/O shielding	115
Memory module	96	VRM heat sink	116
Cover presence switch cable and bracket	98		
Power supply assembly.	99	Appendix A. Notices and trademarks.119
Wi-Fi card	100		
Front Wi-Fi antenna	101		
Rear Wi-Fi antenna	102		

About this manual

This manual provides service and reference information for ThinkStation® computers listed on the front cover.

Illustrations in this manual might look different from your product.

Use this manual along with the advanced diagnostic tests to troubleshoot problems.

Important: It is recommended that these products be repaired by trained service technicians. For customers electing to repair their own ThinkStation products, please follow all instructions carefully. Use this manual along with the advanced diagnostic tests to troubleshoot problems effectively. Before servicing a ThinkStation computer, be sure to read and understand Chapter 1 “Important safety information” on page 1.

Chapter 1. Important safety information

General safety

Follow these rules to ensure general safety:

- Observe good housekeeping in the area of the machines during and after maintenance.
- When lifting any heavy object:
 1. Ensure you can stand safely without slipping.
 2. Distribute the weight of the object equally between your feet.
 3. Use a slow lifting force. Never move suddenly or twist when you attempt to lift.
 4. Lift by standing or by pushing up with your leg muscles; this action removes the strain from the muscles in your back.

Attention: Do not attempt to lift any objects that weigh more than 16 kg (35 lb) or objects that you think are too heavy for you.

- Do not perform any action that causes hazards to the customer, or that makes the equipment unsafe.
- Before you start the machine, ensure that other people are not in a hazardous position.
- Place removed covers and other parts in a safe place, away from all personnel, while you are servicing the machine.
- Keep your tool case away from walk areas so that other people will not trip over it.
- Do not wear loose clothing that can be trapped in the moving parts of a machine. Ensure that your sleeves are fastened or rolled up above your elbows. If your hair is long, fasten it.
- Insert the ends of your necktie or scarf inside clothing or fasten it with a nonconductive clip, approximately 8 centimeters (3 inches) from the end.
- Do not wear jewelry, chains, metal-frame eyeglasses, or metal fasteners for your clothing.

Remember: Metal objects are good electrical conductors.

- Wear safety glasses when you are: hammering, drilling, soldering, cutting wire, attaching springs, using solvents, or working in any other conditions that might be hazardous to your eyes.
- After service, reinstall all safety shields, guards, labels, and ground wires. Replace any safety device that is worn or defective.
- Reinstall all covers correctly before returning the machine to the customer.

CAUTION:



Keep fingers and other parts of your body away from hazardous, moving parts. If you suffer an injury, seek medical care immediately.

CAUTION:



Avoid contact with hot components inside the computer. During operation, some components become hot enough to burn the skin. Before you open the computer cover, turn off the computer, disconnect power, and wait approximately 10 minutes for the components to cool.

Electrical safety



CAUTION:

Electrical current from power, telephone, and communication cables can be hazardous. To avoid personal injury or equipment damage, disconnect the attached power cords, telecommunication systems, networks, and modems before you open the computer covers, unless instructed otherwise in the installation and configuration procedures.

Observe the following rules when working on electrical equipment.

Important: Use only approved tools and test equipment. Some hand tools have handles covered with a soft material that does not insulate you when working with live electrical currents. Many customers have, near their equipment, rubber floor mats that contain small conductive fibers to decrease electrostatic discharges. Do not use this type of mat to protect yourself from electrical shock.

- Find the room emergency power-off (EPO) switch, disconnecting switch, or electrical outlet. If an electrical accident occurs, you can then operate the switch or unplug the power cord quickly.
- Do not work alone under hazardous conditions or near equipment that has hazardous voltages.
- Disconnect all power before:
 - Performing a mechanical inspection
 - Working near power supplies
 - Removing or installing Field Replaceable Units (FRUs)
- Before you start to work on the machine, unplug the power cord. If you cannot unplug it, ask the customer to power-off the wall box that supplies power to the machine and to lock the wall box in the off position.
- If you need to work on a machine that has exposed electrical circuits, observe the following precautions:
 - Ensure that another person, familiar with the power-off controls, is near you.
Remember: Another person must be there to switch off the power, if necessary.
 - Use only one hand when working with powered-on electrical equipment; keep the other hand in your pocket or behind your back.
Remember: There must be a complete circuit to cause electrical shock. By observing the above rule, you may prevent a current from passing through your body.
 - When using a tester, set the controls correctly and use the approved probe leads and accessories for that tester.
 - Stand on suitable rubber mats (obtained locally, if necessary) to insulate you from grounds such as metal floor strips and machine frames.

Observe the special safety precautions when you work with very high voltages; these instructions are in the safety sections of maintenance information. Use extreme care when measuring high voltages.

- Regularly inspect and maintain your electrical hand tools for safe operational condition.
- Do not use worn or broken tools and testers.
- *Never assume* that power has been disconnected from a circuit. First, *check* that it has been powered-off.
- Always look carefully for possible hazards in your work area. Examples of these hazards are moist floors, nongrounded power extension cables, power surges, and missing safety grounds.
- Do not touch live electrical circuits with the reflective surface of a plastic dental mirror. The surface is conductive; such touching can cause personal injury and machine damage.
- Do not service the following parts with the power on when they are removed from their normal operating places in a machine:

- Power supply units
 - Pumps
 - Blowers and fans
 - Motor generators
- and similar units. (This practice ensures correct grounding of the units.)

- If an electrical accident occurs:
 - Use caution; do not become a victim yourself.
 - Switch off power.
 - Send another person to get medical aid.

Safety inspection guide

The intent of this inspection guide is to assist you in identifying potentially unsafe conditions on these products. Each machine, as it was designed and built, had required safety items installed to protect users and service personnel from injury. This guide addresses only those items. However, good judgment should be used to identify potential safety hazards due to attachment of features or options not covered by this inspection guide.

If any unsafe conditions are present, you must determine how serious the apparent hazard could be and whether you can continue without first correcting the problem.

Consider these conditions and the safety hazards they present:

- Electrical hazards, especially primary power (primary voltage on the frame can cause serious or fatal electrical shock).
- Explosive hazards, such as a damaged CRT face or bulging capacitor
- Mechanical hazards, such as loose or missing hardware

The guide consists of a series of steps presented in a checklist. Begin the checks with the power off, and the power cord disconnected.

Checklist:

1. Check exterior covers for damage (loose, broken, or sharp edges).
2. Power-off the computer. Disconnect the power cord.
3. Check the power cord for:
 - a. A third-wire ground connector in good condition. Use a meter to measure third-wire ground continuity for 0.1 ohm or less between the external ground pin and frame ground.
 - b. The power cord should be the appropriate type as specified in the parts listings.
 - c. Insulation must not be frayed or worn.
4. Remove the cover.
5. Check for any obvious alterations. Use good judgment as to the safety of any alterations.
6. Check inside the unit for any obvious unsafe conditions, such as metal filings, contamination, water or other liquids, or signs of fire or smoke damage.
7. Check for worn, frayed, or pinched cables.
8. Check that the power-supply cover fasteners (screws or rivets) have not been removed or tampered with.

Handling electrostatic discharge-sensitive devices

Any computer part containing transistors or integrated circuits (ICs) should be considered sensitive to electrostatic discharge (ESD). ESD damage can occur when there is a difference in charge between objects. Protect against ESD damage by equalizing the charge so that the machine, the part, the work mat, and the person handling the part are all at the same charge.

Notes:

1. Use product-specific ESD procedures when they exceed the requirements noted here.
2. Make sure that the ESD protective devices you use have been certified (ISO 9000) as fully effective.

When handling ESD-sensitive parts:

- Keep the parts in protective packages until they are inserted into the product.
- Avoid contact with other people while handling the part.
- Wear a grounded wrist strap against your skin to eliminate static on your body.
- Prevent the part from touching your clothing. Most clothing is insulative and retains a charge even when you are wearing a wrist strap.
- Use the black side of a grounded work mat to provide a static-free work surface. The mat is especially useful when handling ESD-sensitive devices.
- Select a grounding system, such as those listed below, to provide protection that meets the specific service requirement.

Note: The use of a grounding system is desirable but not required to protect against ESD damage.

- Attach the ESD ground clip to any frame ground, ground braid, or green-wire ground.
- Use an ESD common ground or reference point when working on a double-insulated or battery-operated system. You can use coax or connector-outside shells on these systems.
- Use the round ground-prong of the ac plug on ac-operated computers.

Grounding requirements

Electrical grounding of the computer is required for operator safety and correct system function. Proper grounding of the electrical outlet can be verified by a certified electrician.

Safety notices (multi-lingual translations)

The caution and danger safety notices in this section are provided in the following languages:

- English
- Arabic
- Brazilian/Portuguese
- Chinese (simplified)
- Chinese (traditional)
- French
- German
- Hebrew
- Italian
- Korean

- Spanish



DANGER

Electrical current from power, telephone and communication cables is hazardous.

To avoid a shock hazard:

- **Do not connect or disconnect any cables or perform installation, maintenance, or reconfiguration of this product during an electrical storm.**
- **Connect all power cords to a properly wired and grounded electrical outlet.**
- **Connect to properly wired outlets any equipment that will be attached to this product.**
- **When possible, use one hand only to connect or disconnect signal cables.**
- **Never turn on any equipment when there is evidence of fire, water, or structural damage.**
- **Disconnect the attached power cords, telecommunications systems, networks, and modems before you open the device covers, unless instructed otherwise in the installation and configuration procedures.**
- **Connect and disconnect cables as described in the following tables when installing, moving, or opening covers on this product or attached devices.**

To Connect	To Disconnect
1. Turn everything OFF. 2. First, attach all cables to devices. 3. Attach signal cables to connectors. 4. Attach power cords to outlet. 5. Turn device ON.	1. Turn everything OFF. 2. First, remove power cords from outlet. 3. Remove signal cables from connectors. 4. Remove all cables from devices.



CAUTION:

If your system has a module containing a lithium battery, replace it only with the same module type made by the same manufacturer. The battery contains lithium and can explode if not properly used, handled, or disposed of. *Do not:*

- **Throw or immerse into water**
- **Heat to more than 100°C (212°F)**
- **Repair or disassemble**

Dispose of the battery as required by local ordinances or regulations.



CAUTION:

When laser products (such as CD-ROMs, DVD-ROM drives, fiber optic devices, or transmitters) are installed, note the following:

- Do not remove the covers. Removing the covers of the laser product could result in exposure to hazardous laser radiation. There are no serviceable parts inside the device.
- Use of controls or adjustments or performance of procedures other than those specified herein might result in hazardous radiation exposure.

 **DANGER**

Some laser products contain an embedded Class 3A or Class 3B laser diode. Note the following: Laser radiation when open. Do not stare into the beam, do not view directly with optical instruments, and avoid direct exposure to the beam.



≥18 kg (37 lb)



≥32 kg (70.5 lb)

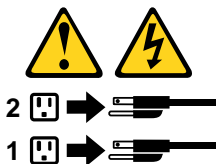


≥55 kg (121.2 lb)

CAUTION:
Use safe practices when lifting.



CAUTION:
The power control button on the device and the power switch on the power supply do not turn off the electrical current supplied to the device. The device also might have more than one power cord. To remove all electrical current from the device, ensure that all power cords are disconnected from the power source.



التيار الكهربائي الموجود بمصدر الطاقة أو أجهزة التليفون أو أسلاك الاتصالات يشكل خطورة.

لتفادي مخاطر الصدمات الكهربائية:

لا تحاول توصيل أو فصل أي أسلاك أو القيام بعمليات تركيب أو صيانة أو إعادة توصيف لهذا المنتج أثناء وجود عاصفة كهربائية.

يجب توصيل كل أسلاك الكهرباء في مخارج كهرباء ذات توصيلات أسلاك وتوصيلات أرضية صحيحة

يجب توصيل أي جهاز سيتم الحاقه بهذا المنتج في مخارج كهرباء ذات توصيلات أسلاك صحيحة.

وإن أمكن يجب استخدام يد واحدة فقط في توصيل أو فصل أسلاك الإشارة.

لا تحاول تشغيل أي جهاز إذا كان هناك أثر لحرق أو مياه أو تلف بالمكونات

يجب فصل أسلاك الكهرباء وأنظمة الاتصالات وشبكات الاتصال وأجهزة المودم الملحقة قبل فتح أغطية الجهاز، مالم يتم طلب خلاف ذلك في التعليمات الخاصة بالتركيب والتوصيف.

قم بتوصيل وفصل الأسلاك كما هو موضح في الجدول التالي وذلك عند القيام بعمليات التركيب أو النقل أو فتح أغطية هذا المنتج أو الأجهزة الملحقة.

للتوصيل:	للفصل:
قم بإيقاف كل شيء.	قم بإيقاف كل شيء.
أولاً، قم بتوصيل كل الأسلاك بالأجهزة.	أولاً، قم بفصل كل أسلاك الكهرباء من المخرج.
قم بتوصيل أسلاك الإشارة في لموصلات.	قم بفصل أسلاك الإشارة من الموصلات.
قم بتوصيل أسلاك الكهرباء في المخارج.	قم بفصل كل الأسلاك من الأجهزة.
قم بتشغيل الجهاز.	



تنبيه :

إذا كان النظام الخاص يستخدم معه بطارية ليثيوم قم باستبدالها بنفس النوع الذي تم صنعته من خلال نفس المصنع. تحتوي البطارية على مادة الليثيوم ويمكن أن تنفجر في حالة عدم استخدامها أو التعامل معها بطريقة صحيحة أو عند التخلص منها بطريقة خطأ.

لا تقم بـ:

- القاء البطارية أو غمرها في الماء
- تسخينها أعلى من ١٠٠ درجة مئوية و(٢١٢ ° فهرنهايت)
- بتصليحها أو فكها

تخلص من البطارية طبقاً للقانون أو النظام المحلي .



تنبيه :
أثناء تركيب منتجات ليزر (مثل CD-ROMs أو وحدة تشغيل DVD أو أجهزة Fiber Optic أو وحدات الإرسال) يجب مراعاة الآتي:

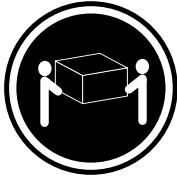
لا تنزع الأغطية. قد ينتج عن نزع أغطية منتج الليزر انفجار أشعة الليزر شديدة الخطورة.
لا يوجد أجزاء يمكن تغييرها داخل الجهاز. قد ينتج عن استخدام تحكيمات أو تعديلات أو عمل أي تصرفات أخرى تخالف ما هو محدد هنا إلى انفجار أشعة شديدة الخطورة.



خطر

تحتوي بعض منتجات الليزر على الفئة دايود ليزر مدمج من الفئة Class 3A أو Class 3B. يجب مراعاة الآتي .

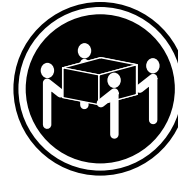
أشعة الليزر عند الفتح. لا تحدد إلى الإشعاع و لا تنظر إليه مباشرة بواسطة أي أجهزة مرئية وتجنب التعرض المباشر للإشعاع .



≥18 kg (37 lb)



≥32 kg (70.5 lb)



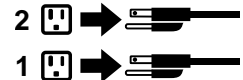
≥55 kg (121.2 lb)

تنبيه :
يجب استخدام ممارسات أمانة عند الرفع



تنبيه :

لا يقرم زر التحكم في التشغيل الموجود على الجهاز والمفتاح الكهربائي الموجود على لوحة التحكم بإيقاف التيار الكهربائي المار بالجهاز. قد يكون للجهاز أكثر من سلك كهربائي واحد. لإيقاف التيار الكهربائي المار بالجهاز، تأكد من فصل جميع أسلاك الكهرباء من مصدر الكهرباء .





PERIGO

A corrente elétrica proveniente de cabos de alimentação, de telefone e de comunicações é perigosa.

Para evitar risco de choque elétrico:

- Não conecte nem desconecte nenhum cabo ou execute instalação, manutenção ou reconfiguração deste produto durante uma tempestade com raios.
- Conecte todos os cabos de alimentação a tomadas elétricas corretamente instaladas e aterradas.
- Todo equipamento que for conectado a este produto deve ser conectado a tomadas corretamente instaladas.
- Quando possível, utilize apenas uma das mãos para conectar ou desconectar cabos de sinal.
- Nunca ligue nenhum equipamento quando houver evidência de fogo, água ou danos estruturais.
- Antes de abrir tampas de dispositivos, desconecte cabos de alimentação, sistemas de telecomunicação, redes e modems conectados, a menos que especificado de maneira diferente nos procedimentos de instalação e configuração.
- Conecte e desconecte os cabos conforme descrito na tabela apresentada a seguir ao instalar, mover ou abrir tampas deste produto ou de dispositivos conectados.

Para Conectar:	Para Desconectar:
<ol style="list-style-type: none">1. DESLIGUE Tudo.2. Primeiramente, conecte todos os cabos aos dispositivos.3. Conecte os cabos de sinal aos conectores.4. Conecte os cabos de alimentação às tomadas.5. LIGUE os dispositivos.	<ol style="list-style-type: none">1. DESLIGUE Tudo.2. Primeiramente, remova os cabos de alimentação das tomadas.3. Remova os cabos de sinal dos conectores.4. Remova todos os cabos dos dispositivos.



CUIDADO:

Se o seu sistema possui um módulo com uma bateria de lítio, substitua-o apenas por um módulo do mesmo tipo e do mesmo fabricante. A bateria contém lítio e pode explodir se não for utilizada, manuseada ou descartada de maneira correta.

Não:

- Jogue ou coloque na água
- Aqueça a mais de 100°C (212°F)
- Conserte nem desmonte

Descarte a bateria conforme requerido pelas leis ou regulamentos locais.



PRECAUCIÓN:

Quando produtos a laser (como unidades de CD-ROMs, unidades de DVD-ROM, dispositivos de fibra ótica ou transmissores) estiverem instalados, observe o seguinte:

- Não remova as tampas. A remoção das tampas de um produto a laser pode resultar em exposição prejudicial à radiação de laser. Não existem peças que podem ser consertadas no interior do dispositivo.
- A utilização de controles ou ajustes ou a execução de procedimentos diferentes dos especificados aqui pode resultar em exposição prejudicial à radiação.

PERIGO

Alguns produtos a laser contêm diodo de laser integrado da Classe 3A ou da Classe 3B. Observe o seguinte:

Radiação a laser quando aberto. Não olhe diretamente para o feixe a olho nu ou com instrumentos ópticos e evite exposição direta ao feixe.



≥18 kg (37 lb)



≥32 kg (70.5 lb)



≥55 kg (121.2 lb)

CUIDADO:

Utilize procedimentos de segurança para levantar equipamentos.



CUIDADO:

O botão de controle de alimentação do dispositivo e o botão para ligar/desligar da fonte de alimentação não desligam a corrente elétrica fornecida ao dispositivo. O dispositivo também pode ter mais de um cabo de alimentação. Para remover toda a corrente elétrica do dispositivo, assegure que todos os cabos de alimentação estejam desconectados da fonte de alimentação.



危险

电源、电话和通信电缆中的电流是危险的。

为避免电击危险：

- 请勿在雷电期间连接或断开任何电缆的连接，或者对本产品进行安装、维护或重新配置。
- 将所有电源线连接到正确连线 and 妥善接地的电源插座。
- 将所有要连接到该产品的设备连接到正确连线的插座。
- 如果可能，请仅使用一只手来连接或断开信号电缆的连接。
- 切勿在有火、水、结构损坏迹象的情况下开启任何设备。
- 在打开设备外盖之前请断开已连接的电源线、远程通信系统、网络和调制解调器，除非在安装和配置过程中另有说明。
- 当安装、移动或打开该产品或连接设备的外盖时，请按照下表所述来连接或断开电缆的连接。

要连接	要断开连接
<ol style="list-style-type: none">1. 切断所有电源。2. 首先将所有电缆连接到设备。3. 将信号电缆连接到接口。4. 将电源线连接到插座。5. 开启设备。	<ol style="list-style-type: none">1. 切断所有电源。2. 首先从插座上拔出电源线。3. 从接口上拔出信号电缆。4. 从设备上拔出所有电缆。



警告：
如果您的系统有包含锂电池的模块，请仅使用同一制造商生产的相同模块类型来替换该模块。该电池中含有锂，如果使用、操作或处理不当，可能会发生爆炸。

切勿：

- 投入或浸入水中
- 加热到 100 °C (212 °F) 以上
- 维修或拆卸

请按照当地法令或条例的要求处理电池。



警告：
安装激光产品（例如 CD-ROM、DVD-ROM 驱动器、光纤设备或发射设备）时，请注意以下声明：

- 请勿卸下外盖。卸下激光产品的外盖可能导致遭受激光辐射的危险。该设备内没有可维修的部件。
- 如果不按照此处指定的过程进行控制、调整或操作，则有可能导致遭受辐射的危险。



危险

某些激光产品包含嵌入式 3A 类或 3B 类激光二极管。请注意以下声明：

打开后有激光辐射。请勿注视光束，请勿直接用光学仪器查看，并请避免直接暴露在光束中。

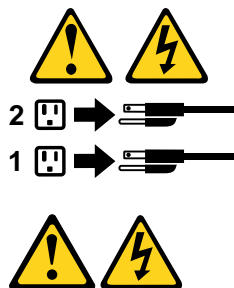


≥18 千克 (37 磅) ≥32 千克 (70.5 磅) ≥55 千克 (121.2 磅)

警告：
抬起时请采取安全措施。



警告：
设备上的电源控制按钮和电源上的电源开关不会切断供给该设备的电流。该设备还可能有多条电源线。要切断该设备的所有电流，请确保所有电源线都与电源断开连接。



危險

電源、電話及通訊纜線上的電流都具有危險性。

若要避免觸電危險：

- 請勿在雷雨期間，連接或拔除纜線、執行安裝、維護或重新配置本產品。
- 將所有電源線連接到正確配線及接地的電源插座。
- 任何與本產品連接的設備都必須連接到配線妥當的電源插座。
- 請盡可能用單手連接或拔除信號線。
- 發生火災、水災或結構損害時，絕對不要開啟任何設備。
- 除非在安裝及配置程序中另有指示，否則在開啟裝置機蓋之前，請拔掉連接的電源線、電信系統、網路及數據機。
- 安裝、移動或開啟本產品或附屬裝置的機蓋時，請遵循下列說明連接及拔掉纜線。

連線	切斷連線
<ol style="list-style-type: none">1. 關閉所有開關。2. 首先，連接所有接線到裝置。3. 連接信號線到接頭。4. 連接電源線到插座。5. 開啟裝置。	<ol style="list-style-type: none">1. 關閉所有開關。2. 首先，拔掉插座上的電源線。3. 拔掉接頭上的信號線。4. 拔掉裝置上所有接線。



警告：

如果您的系統中含有鋰電池模組，請僅使用同一家製造商所生產的相同模組進行更換。如果未以正確方式使用、處理或棄置含鋰的電池，會有爆炸的危險。

請勿：

- 沾溼或浸入水中
- 置於 **100°C (212°F)** 以上的高溫環境
- 修理或拆開

請按照各地區有關廢棄電池的法令和規定處理舊電池。



警告：

- 請勿移除機蓋。移除雷射產品的機蓋，可能會導致暴露在危險的雷射輻射中。裝置內部並無可自行維修的零件。
- 利用或執行非本文中指定的控制、調整及執行程序，可能會導致危險的輻射外洩。



危險

部分雷射產品含有內嵌式 **Class 3A** 或 **Class 3B** 雷射二極體。請注意下列事項：

在開啟光碟機時，會發生雷射輻射。請勿直視光束或用光學儀器直接檢視，並避免直接暴露在光束中。



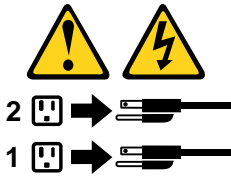


≥ 18 公斤 (37 磅) ≥ 32 公斤 (70.5 磅) ≥ 55 公斤 (121.2 磅)

警告：
搬運時請注意安全。



警告：
裝置上的電源控制按鈕及電源供應器上的電源開關，無法關閉裝置所產生的電流。
該裝置可能有多條電源線。若要除去裝置流出的所有電流，請確認已切斷所有電源線的電源。



DANGER

Le courant électrique provenant de l'alimentation, du téléphone et des câbles de transmission peut présenter un danger.

Pour éviter tout risque de choc électrique :

- Ne manipulez aucun câble et n'effectuez aucune opération d'installation, d'entretien ou de reconfiguration de ce produit au cours d'un orage.
- Branchez tous les cordons d'alimentation sur un socle de prise de courant correctement câblé et mis à la terre.
- Branchez sur des socles de prise de courant correctement câblés tout équipement connecté à ce produit.
- Lorsque cela est possible, n'utilisez qu'une seule main pour connecter ou déconnecter les câbles d'interface.
- Ne mettez jamais un équipement sous tension en cas d'incendie ou d'inondation, ou en présence de dommages matériels.
- Avant de retirer les carters de l'unité, mettez celle-ci hors tension et déconnectez ses cordons d'alimentation, ainsi que les câbles qui la relient aux réseaux, aux systèmes de télécommunication et aux modems (sauf instruction contraire mentionnée dans les procédures d'installation et de configuration).
- Lorsque vous installez, que vous déplacez, ou que vous manipulez le présent produit ou des périphériques qui lui sont raccordés, reportez-vous aux instructions ci-dessous pour connecter et déconnecter les différents cordons.

Connexion	Déconnexion
<ol style="list-style-type: none"> 1. Mettez les unités HORS TENSION. 2. Commencez par brancher tous les cordons sur les unités. 3. Branchez les câbles d'interface sur des connecteurs. 4. Branchez les cordons d'alimentation sur des prises. 5. Mettez les unités SOUS TENSION. 	<ol style="list-style-type: none"> 1. Mettez les unités HORS TENSION. 2. Débranchez les cordons d'alimentation des prises. 3. Débranchez les câbles d'interface des connecteurs. 4. Débranchez tous les câbles des unités.



ATTENTION:

Si votre système est doté d'un module contenant une pile au lithium, vous devez le remplacer uniquement par un module identique, produit par le même fabricant. La pile contient du lithium et peut exploser en cas de mauvaise utilisation, de mauvaise manipulation ou de mise au rebut inappropriée.

Ne pas :

- la jeter à l'eau,
- l'exposer à des températures supérieures à 100°C,
- chercher à la réparer ou à la démonter.

Ne pas mettre la pile à la poubelle. Pour la mise au rebut, se reporter à la réglementation en vigueur.



ATTENTION:

Si des produits à laser (tels que des unités de CD-ROM, de DVD-ROM, des unités à fibres optiques, ou des émetteurs) sont installés, prenez connaissance des informations suivantes :

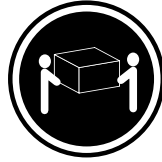
- **Ne retirez pas le carter. En ouvrant l'unité de CD-ROM ou de DVD-ROM, vous vous exposez au rayonnement dangereux du laser. Aucune pièce de l'unité n'est réparable.**
- **Pour éviter tout risque d'exposition au rayon laser, respectez les consignes de réglage et d'utilisation des commandes, ainsi que les procédures décrites dans le présent manuel.**



DANGER

Certains produits à laser contiennent une diode à laser intégrée de classe 3A ou 3B. Prenez connaissance des informations suivantes:

Rayonnement laser lorsque le carter est ouvert. Evitez toute exposition directe au rayon laser. Evitez de regarder fixement le faisceau ou de l'observer à l'aide d'instruments optiques.



≥18 kg (37 lb)



≥32 kg (70.5 lb)



≥55 kg (121.2 lb)

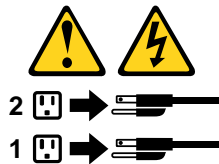
ATTENTION:

Soulevez la machine avec précaution.



ATTENTION:

L'interrupteur de contrôle d'alimentation de l'unité et l'interrupteur dubloc d'alimentation ne coupent pas le courant électrique alimentant l'unité. En outre, le système peut être équipé de plusieurs cordons d'alimentation. Pour mettre l'unité hors tension, vous devez déconnecter tous les cordons de la source d'alimentation.



VORSICHT

An Netz-, Telefon- und Datenleitungen können gefährliche Spannungen anliegen.

Aus Sicherheitsgründen:

- Bei Gewitter an diesem Gerät keine Kabel anschließen oder lösen. Ferner keine Installations-, Wartungs- oder Rekonfigurationsarbeiten durchführen.
- Gerät nur an eine Schutzkontaktsteckdose mit ordnungsgemäß geerdetem Schutzkontakt anschließen.
- Alle angeschlossenen Geräte ebenfalls an Schutzkontaktsteckdosen mit ordnungsgemäß geerdetem Schutzkontakt anschließen.
- Die Signalkabel nach Möglichkeit einhändig anschließen oder lösen, um einen Stromschlag durch Berühren von Oberflächen mit unterschiedlichem elektrischem Potenzial zu vermeiden.

- **Geräte niemals einschalten, wenn Hinweise auf Feuer, Wasser oder Gebäudeschäden vorliegen.**
- **Die Verbindung zu den angeschlossenen Netzkabeln, Telekommunikationssystemen, Netzwerken und Modems ist vor dem Öffnen des Gehäuses zu unterbrechen, sofern in den Installations- und Konfigurationsprozeduren keine anders lautenden Anweisungen enthalten sind.**
- **Zum Installieren, Transportieren und Öffnen der Abdeckungen des Computers oder der angeschlossenen Einheiten die Kabel gemäß der folgenden Tabelle anschließen und abziehen.**

Zum Anschließen der Kabel gehen Sie wie folgt vor	Zum Abziehen der Kabel gehen Sie wie folgt vor
<ol style="list-style-type: none"> 1. Schalten Sie alle Einheiten AUS. 2. Schließen Sie erst alle Kabel an die Einheiten an. 3. Schließen Sie die Signalkabel an die Buchsen an. 4. Schließen Sie die Netzkabel an die Steckdose an. 5. Schalten Sie die Einheit EIN. 	<ol style="list-style-type: none"> 1. Schalten Sie alle Einheiten AUS. 2. Ziehen Sie zuerst alle Netzkabel aus den Netzsteckdosen. 3. Ziehen Sie die Signalkabel aus den Buchsen. 4. Ziehen Sie alle Kabel von den Einheiten ab.



CAUTION:

Enthält das System ein Modul mit einer Lithiumbatterie, dieses nur durch ein Modul desselben Typs und von demselben Hersteller ersetzen. Die Batterie enthält Lithium und kann bei unsachgemäßer Verwendung, Handhabung oder Entsorgung explodieren.

Die Batterie nicht:

- mit Wasser in Berührung bringen.
- über 100 C erhitzen.
- reparieren oder zerlegen.

Die örtlichen Bestimmungen für die Entsorgung von Sondermüll beachten.



ACHTUNG:

Bei der Installation von Lasergeräten (wie CD-ROM-Laufwerken, DVD- aufwerken, Einheiten mit Lichtwellenleitertechnik oder Sendern) Folgendes beachten:

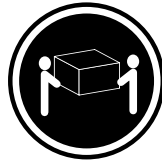
- **Die Abdeckungen nicht entfernen. Durch Entfernen der Abdeckungen des Lasergeräts können gefährliche Laserstrahlungen freigesetzt werden. Das Gerät enthält keine zu wartenden Teile.**
- **Werden Steuerelemente, Einstellungen oder Durchführungen von Prozeduren anders als hier angegeben verwendet, kann gefährliche Laserstrahlung auftreten.**



VORSICHT

Einige Lasergeräte enthalten eine Laserdiode der Klasse 3A oder 3B. Beachten Sie Folgendes:

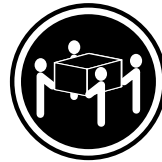
Laserstrahlung bei geöffneter Verkleidung. Nicht in den Strahl blicken. Keine Lupen oder Spiegel verwenden. Strahlungsbereich meiden.



≥18 kg



≥32 kg



≥55 kg

ACHTUNG:

Arbeitsschutzrichtlinien beim Anheben der Maschine beachten.



ACHTUNG:

Mit dem Netzschalter an der Einheit und am Netzteil wird die Stromversorgung für die Einheit nicht unterbrochen. Die Einheit kann auch mit mehreren Netzkabeln ausgestattet sein. Um die Stromversorgung für die Einheit vollständig zu unterbrechen, müssen alle zum Gerät führenden Netzkabel vom Netz getrennt werden.



סכנה

זרם חשמלי המועבר בכבלי חשמל, טלפון ותקשורת הוא מסוכן.

כדי להימנע מסכנת התחשמלות:

- אל תחברו או תנתקו כבלים, ואל תבצעו פעולת התקנה, תחזוקה או שינוי תצורה במוצר זה במהלך סופת ברקים.
- חברו את כל כבלי החשמל לשקע חשמל מחווט ומוארק כהלכה.
- חברו כל ציוד שיחובר למוצר זה לשקעי חשמל מחוטים כהלכה.
- במידת האפשר, השתמשו ביד אחת בלבד לחיבור או לניתוק של כבלי אותות.
- לעולם אל תפעילו ציוד כלשהו כאשר יש עדות לנזק מבני או לנזק כתוצאה מאש או ממים.
- נתקו את כבלי החשמל, מערכות התקשורת, התקני הרשת והמודמים המחוברים לפני פתיחת כיסויי ההתקן, אלא אם הליכי ההתקנה וקביעת התצורה מורים אחרת.
- בעת התקנה, העברה או פתיחת כיסויים במוצר זה או בהתקנים המחוברים, חברו ונתקו את הכבלים כמתואר בטבלה שלהלן.

כדי לחבר	כדי לנתק
1. כבו הכל.	1. כבו הכל.
2. ראשית, חברו את כל הכבלים להתקנים.	2. ראשית, נתקו את כבלי החשמל מהשקעים.
3. חברו את כבלי האותות למחברים.	3. נתקו את כבלי האותות מהמחברים.
4. חברו את כבלי החשמל לשקעים.	4. הסירו את כל הכבלים מההתקנים.
5. הפעילו את ההתקן.	



זהירות:

אם המערכת כוללת מודול המכיל סוללת ליתיום, החליפו אותו רק במודול מאותו סוג ומתוצרת אותו יצרן. הסוללה מכילה ליתיום, ועלולה להתפוצץ אם לא משתמשים ומטפלים בה או משליכים אותה כראוי.

לעולם:

- אל תטבלו במים
 - אל תחממו לטמפרטורה הגבוהה מ-100°C (212°F)
 - אל תתקנו או תפרקו
- השליכו את הסוללה כנדרש לפי התקנות והחוקים המקומיים.



זהירות:

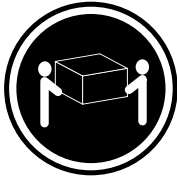
בעת התקנת מוצרי לייזר (כגון כונני תקליטורים ו-DVD, התקני סיב אופטי או משדרים), שימו לב לאזהרות הבאות:

- אל תסירו את הכיסויים. הסרת הכיסויים של מוצר הלייזר עלולה לגרום לחשיפה לקרינת לייזר מסוכנת. אין חלקים ברי טיפול בתוך ההתקן.
- שינויים, שימוש בבקורות או ביצוע הליכים אחרים מאלה המתוארים כאן, עלולים לגרום לחשיפה לקרינה מסוכנת.



סכנה

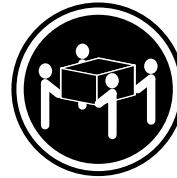
מוצרי ליזר מסוימים מכילים דיודת ליזר מסוג Class 3A או Class 3B. שימו לב לאזהרה הבאה:
כאשר הוא פתוח, המוצר פולט קרינת ליזר. אל תביטו ישירות בקרן, אל תביטו ישירות בעזרת ציוד אופטי,
והימענו מחשיפה לקרן.



≤ 18 ק"ג (37 ליב')



≤ 32 ק"ג (70.5 ליב')



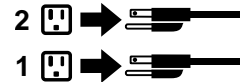
≤ 55 ק"ג (121.2 ליב')

זהירות:
השתמשו בהליכים
הנאותים בעת
הרמת הציוד.



זהירות:

לחצן ההפעלה של ההתקן ומתג ההפעלה של ספק החשמל אינם מפסיקים את זרם החשמל המסופק להתקן.
בנוסף, ההתקן עשוי לכלול יותר מכבל חשמל אחד. כדי לסלק את כל הזרם החשמלי מההתקן,
ודאו שכל כבלי החשמל מנותקים ממקור החשמל.



PERICOLO

La corrente elettrica proveniente dai cavi di alimentazione, del telefono e di comunicazione può essere pericolosa.

Per evitare il rischio di scosse elettriche:

- **Non collegare o scollegare qualsiasi cavo oppure effettuare l'installazione, la manutenzione o la riconfigurazione del prodotto durante un temporale.**
- **Collegare tutti i fili elettrici a una presa di alimentazione correttamente cablata e dotata di messa a terra.**
- **Collegare alle prese elettriche appropriate tutte le apparecchiature che verranno utilizzate per questo prodotto.**
- **Se possibile, utilizzare solo una mano per collegare o scollegare i cavi di segnale.**
- **Non accendere assolutamente apparecchiature in presenza di incendi, perdite d'acqua o danno strutturale.**
- **Scollegare i cavi di alimentazione, i sistemi di telecomunicazione, le reti e il modem prima di aprire i coperchi del dispositivo, salvo istruzioni contrarie relative alle procedure di installazione e configurazione.**
- **Collegare e scollegare i cavi come descritto nella seguente tabella quando vengono effettuate operazioni di installazione, spostamento o apertura dei coperchi di questo prodotto o delle unità collegate.**

Per collegarsi	Per scollegarsi
<ol style="list-style-type: none">1. SPEGNERE le apparecchiature.2. Innanzitutto, collegare tutti i cavi alle unità.3. Collegare i cavi di segnale ai connettori.4. Collegare i cavi di alimentazione alla presa.5. Accendere l'unità.	<ol style="list-style-type: none">1. SPEGNERE le apparecchiature.2. Innanzitutto, rimuovere i cavi di alimentazione dalla presa.3. Rimuovere i cavi di segnale dai connettori.4. Rimuovere tutti i cavi dalle unità.



ATTENZIONE:

Se sul sistema è presente un modulo che contiene una batteria al litio, sostituirlo solo con un tipo di modulo dello stesso tipo della stessa casa di produzione. La batteria contiene litio e può esplodere se usata, maneggiata o smaltita in modo non corretto.

Non:

- **Gettare o immergere la batteria nell'acqua**
- **Riscaldarla ad una temperatura superiore ai 100 gradi C (212 gradi F)**
- **Smontarla, ricaricarla o tentare di ripararla**

Le batterie usate vanno smaltite in accordo alla normativa in vigore (DPR 915/82 e successive disposizioni e disposizioni locali).



ATTENZIONE:

Quando vengono installati prodotti laser (quali CD-ROM, unità DVD-ROM, unità a fibre ottiche o trasmittenti), tener presente quanto segue:

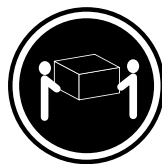
- Non rimuovere gli sportelli. L'apertura di un'unità laser può determinare l'esposizione a radiazioni laser pericolose. All'interno dell'unità non vi sono parti su cui effettuare l'assistenza tecnica.
- L'utilizzo di controlli, regolazioni o l'esecuzione di procedure non descritti nel presente manuale possono provocare l'esposizione a radiazioni pericolose.



PERICOLO

Alcune unità laser contengono un diodo laser di Classe 3A o Classe 3B. Tener presente quanto segue:

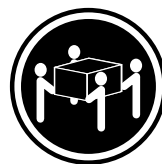
Aperto l'unità vengono emesse radiazioni laser. Non fissare il fascio, non guardarlo direttamente con strumenti ottici ed evitare l'esposizione al fascio.



≥18 kg



≥32 kg



≥55 kg

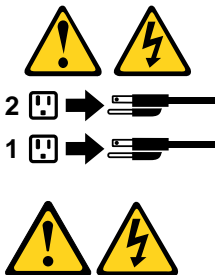
ATTENZIONE:

Prestare attenzione nel sollevare l'apparecchiatura.



ATTENZIONE:

Il pulsante di controllo dell'alimentazione presente sull'unità e l'interruttore dell'alimentatore non disattivano l'alimentazione corrente fornita all'unità. E' possibile che l'unità disponga di più cavi di alimentazione. Per disattivare l'alimentazione dall'unità, accertarsi che tutti i cavi di alimentazione siano scollegati dalla fonte di alimentazione.



위험

전원, 전화, 통신 케이블의 전류는 위험합니다.

감전의 위험을 피하려면 다음과 같이 하십시오.

- 번개가 치는 날에는 케이블을 연결 또는 분리하거나 본 제품을 설치, 보수, 재구성하지 마십시오.
- 모든 전원 코드는 올바르게 접지된 전기 콘센트에 연결하십시오.
- 본 제품에 연결될 장치는 올바르게 배선된 콘센트에 연결하십시오.
- 신호 케이블을 연결 또는 분리할 때 가능하면 한 손만을 사용하십시오.
- 불 또는 물로 인한 손상이나 구조적인 손상이 있을 경우 장치의 전원을 절대 켜지 마십시오.
- 설치 및 구성 과정에 별도의 지시 사항이 없는 경우, 장치의 덮개를 열기 전에 연결된 전원 코드, 원격 통신 시스템, 네트워크, 모뎀을 분리하십시오.
- 본 제품이나 연결된 장치를 설치, 이동하거나 덮개를 열 때 다음 표와 같은 순서로 케이블을 연결하거나 분리하십시오.

연결할 때:	분리할 때:
<ol style="list-style-type: none">1. 모든 장치의 전원을 끄십시오.2. 먼저 모든 케이블을 장치에 연결하십시오.3. 커넥터에 신호 케이블을 연결하십시오.4. 콘센트에 전원 코드를 연결하십시오.5. 장치의 전원을 켜십시오.	<ol style="list-style-type: none">1. 모든 장치의 전원을 끄십시오.2. 먼저 콘센트에서 전원 코드를 분리하십시오.3. 커넥터에서 신호 케이블을 분리하십시오.4. 장치에서 모든 케이블을 분리하십시오.



주의:

사용자의 시스템이 리튬 배터리를 포함하는 모듈일 경우, 동일한 제조업체에서 동일한 모듈 유형으로 생산된 제품으로 교체하십시오. 배터리에는 리튬이 함유되어 있어 잘못 사용, 취급 또는 폐기할 경우 폭발의 위험이 있습니다.

사고를 방지하려면 다음 사항을 준수하십시오.

- 배터리를 물 속에 던지거나 침수시키지 마십시오.
- 100°C (212°F) 이상 가열하지 마십시오.
- 수리하거나 분해하지 마십시오.

배터리를 폐기할 때는 법령 또는 회사의 안전 수칙에 따라 폐기하십시오.



주의:

CD-ROM, DVD-ROM 장치, 광섬유 장치 또는 송신 장치와 같은 레이저 제품을 설치할 때, 다음과 같은 취급 주의사항을 참고하십시오.

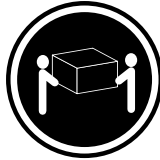
- 덮개를 열지 마십시오. 덮개를 열면 레이저 복사 에너지에 노출될 위험이 있습니다. 장치 내부에는 사용자가 조정하거나 수리할 수 있는 부품이 없습니다.
- 규정된 것 이외의 절차 수행, 제어 조정 등의 행위로 인해 해로운 레이저 복사에 노출될 수 있습니다.



위험

일부 장비에는 임베디드 클래스 3A 또는 클래스 3B 레이저 다이오드가 있습니다. 다음 주의사항에 유의하십시오.

드라이브가 열리면 레이저 복사 에너지가 방출됩니다. 광선이 눈에 직접 쏘이지 않도록 하십시오. 나안 또는 광학 기구를 착용한 상태에서 광선을 직접 바라보지 않도록 하십시오.



≥ 18 kg (37 lbs)



≥ 32 kg (70.5 lbs)

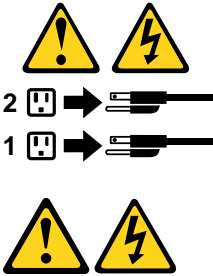


≥ 55 kg (121.2 lbs)

주의:
제품을 들어 올릴 때
안전 규제를 따르십시오.



주의:
장치의 전원 제어 버튼 및 전원 공급 장치의 전원 스위치를 사용하여 장치에 공급되는 전기를 차단하지 마십시오.
장치는 둘 이상의 코드를 가지고 있을 수 있습니다. 장치에서 모든 전원을 차단하려면 콘센트에서 코드가 모두
분리되어 있는지 확인하십시오.



PELIGRO

La corriente eléctrica procedente de cables de alimentación, teléfonos y cables de comunicación puede ser peligrosa.

Para evitar el riesgo de descarga eléctrica:

- **No conecte ni desconecte los cables ni realice ninguna tarea de instalación, mantenimiento o reconfiguración de este producto durante una tormenta eléctrica.**
- **Conecte todos los cables de alimentación a tomas de corriente debidamente cableadas y conectadas a tierra.**
- **Cualquier equipo que se conecte a este producto también debe conectarse a tomas de corriente debidamente cableadas.**

- Siempre que sea posible, utilice una sola mano para conectar o desconectar los cables de señal.
- No encienda nunca un equipo cuando hay señales de fuego, agua o daños estructurales.
- Desconecte los cables de alimentación, los sistemas de telecomunicaciones, las redes y los módems conectados antes de abrir las cubiertas de los dispositivos, a menos que se indique lo contrario en los procedimientos de instalación y configuración.
- Conecte y desconecte los cables, como se describe en la tabla siguiente, cuando instale, mueva o abra las cubiertas de este producto o de los dispositivos conectados.

Para conectar	Para desconectar
<ol style="list-style-type: none"> 1. APÁGUELO todo. 2. En primer lugar, conecte todos los cables a los dispositivos. 3. Conecte los cables de señal a los conectores. 4. Enchufe los cables de alimentación a las tomas de corriente. 5. Encienda el dispositivo. 	<ol style="list-style-type: none"> 1. APÁGUELO todo. 2. En primer lugar, desenchufe los cables de alimentación de las tomas de corriente. 3. Desconecte los cables de señal de los conectores. 4. Desconecte todos los cables de los dispositivos.



PRECAUCIÓN:

Si su sistema dispone de un módulo que contiene una batería de litio, reemplácelo sólo con el mismo tipo de módulo, del mismo fabricante. La batería contiene litio y puede explotar si no se utiliza, manipula o desecha correctamente.

No debe:

- Arrojarla al agua o sumergirla en ella
- Exponerla a temperaturas superiores a 100°C (212°F)
- Repararla o desmontarla

Deshágase de la batería según especifiquen las leyes o normas locales.



PRECAUCIÓN:

Cuando haya productos láser (como unidades de CD-ROM, unidades de DVD, dispositivos de fibra óptica o transmisores) instalados, tenga en cuenta lo siguiente:

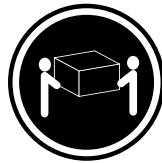
- No quite las cubiertas. Si quita las cubiertas del producto láser, podría quedar expuesto a radiación láser peligrosa. Dentro del dispositivo no existe ninguna pieza que requiera servicio técnico.
- Si usa controles o ajustes o realiza procedimientos que no sean los especificados aquí, podría exponerse a radiaciones peligrosas.



PELIGRO

Algunos productos láser tienen incorporado un diodo láser de clase 3A o clase 3B. Tenga en cuenta lo siguiente:

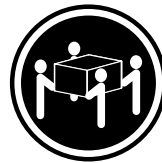
Cuando se abre, queda expuesto a radiación láser. No mire directamente al rayo láser, ni siquiera con instrumentos ópticos, y evite exponerse directamente al rayo láser.



≥18 kg



≥32 kg



≥55 kg

PRECAUCIÓN:

Adopte procedimientos seguros al levantar el equipo.



PRECAUCIÓN:

El botón de control de alimentación del dispositivo y el interruptor de alimentación de la fuente de alimentación no desconectan la corriente eléctrica suministrada al dispositivo. Además, el dispositivo podría tener más de un cable de alimentación. Para suprimir toda la corriente eléctrica del dispositivo, asegúrese de que todos los cables de alimentación estén desconectados de la toma de corriente.



Chapter 2. Important service information

Strategy for replacing FRUs

Before replacing parts:

Ensure that all software fixes, drivers, and UEFI BIOS downloads are installed before you replace any FRUs listed in this manual.

After a system board is replaced, ensure that the latest UEFI BIOS is loaded to the system board before you complete the service action.

To download and install software fixes, drivers, and UEFI BIOS, go to <https://pcsupport.lenovo.com> and follow the instructions on the screen.

Use the following strategy to prevent unnecessary expense for replacing and servicing FRUs:

- If you are instructed to replace a FRU but the replacement does not correct the problem, reinstall the original FRU before you continue.
- Some computers have both a processor board and a system board. If you are instructed to replace either the processor board or the system board, and replacing one of them does not correct the problem, reinstall that board, and then replace the other one.
- If an adapter or a device consists of more than one FRU, any of the FRUs might be the cause of the error. Before replacing the adapter or device, remove the FRUs, one by one, to see if the symptoms change. Replace only the FRU that changed the symptoms.

Strategy for replacing a hard disk drive or a solid-state drive

Always try to run a low-level format operation before replacing a hard disk drive or a solid-state drive. This will cause all customer data on the drive to be lost. Ensure that the customer has a current backup of the data before you perform this task.

Attention: The drive startup sequence in the computer you are servicing might have been changed. Be extremely careful during write operations such as copying, saving, or formatting. If you select an incorrect drive, data or programs can be overwritten.

Important notice for replacing a system board

Some components mounted on a system board are very sensitive. Improper handling of a system board can cause damage to those components, and may cause a system malfunction.

After replacing the system board, the recommended option is to download the latest UEFI BIOS package from Lenovo Support Web site to bind the model type, serial number, and brand ID of the computer with the new system board. Or use Golden Key U1 tool to bind the new system board. Refer to <https://support.lenovo.com/solutions/ht102004> for instructions.

Attention: When handling a system board:

- Do not drop a system board or apply any excessive force to it.
- Avoid rough handling of any kind.
- Avoid bending a system board and hard pushing to prevent cracking at each Ball Grid Array (BGA) chipset.

How to use error codes

Use the error codes displayed on the screen to diagnose failures. If more than one error code is displayed, begin the diagnosis with the first error code. Whatever causes the first error code might also cause false error codes. If no error code is displayed, see whether the error symptom is listed in the “Symptom-to-FRU Index” section.

Strategy for replacing FRUs for CTO, special-bid, and standard models

This topic provides information about the model types and FRU identification.

Product definition

This topic introduces different model types and how to identify each type.

Dynamic Configure To Order (CTO) model

This model provides the ability for a customer to configure a Lenovo solution from a Web site, and have this configuration sent to fulfillment, where it is built and shipped directly to the customer. The machine label and eSupport will load these products as the 4-character MT, 4-character model, and 2-character country code. The model is “CTO1” and the default country code is “WW” (example: 20AACTO1WW).

Special-bid model

This model is a unique configuration that has been negotiated between Lenovo and the customer. A unique MTM consists of a 4-character MT, a 4-character model, and a numeric 2-character country code is provided to the customer to place orders (example: 20AA000955). The country code assigned is numeric and does not designate a specific country or region. The custom model factsheet for the MTM indicates which country the special-bid MTM is set up for. Special-bid offering is not generally announced.

Standard model

Standard models (fixed configuration) are announced and offered to all customers. The MTM portion of the machine label consists of a 4-character MT, a 4-character model, and an alphabetic 2-character country code. The country code assigned is alphabetic and represents a designated country or region (example: 20AA0009UK).

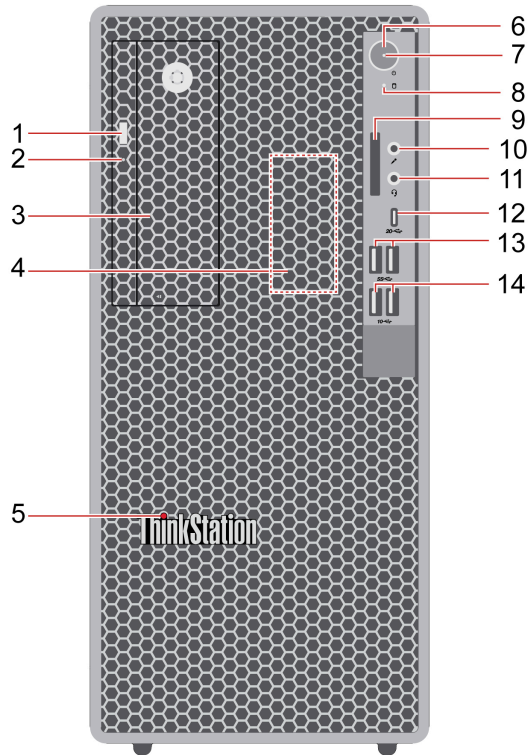
FRU identification

To identify FRUs for a product, do the following:

1. Go to: <https://support.lenovo.com/partslookup>.
2. Type the Machine Type in the corresponding field to get a general FRU list, or type the Serial Number for more detailed FRU information.

Chapter 3. Product overview

Front



Item	Description	Item	Description
1	Slim optical drive (ODD) eject button*	2	Slim ODD activity indicator*
3	Flex bay	4	Internal speaker
5	ThinkStation® LED	6	Power button
7	Power indicator	8	Storage indicator
9	Secure Digital (SD™) card slot	10	Microphone connector
11	Headset connector	12	USB-C® connector (USB 20Gbps)*
13	USB-A connectors (USB 5Gbps)*	14	USB-A connectors (USB 10Gbps)*

* for selected models

Statement on USB transfer rate

Depending on many factors such as the processing capability of the host and peripheral devices, file attributes, and other factors related to system configuration and operating environments, the actual transfer rate using the various USB connectors on this device will vary and will be slower than the data rate listed in the connector name or below for each corresponding device.

Flex bay

Depending on your computer model, the flex bay can be empty or installed with one of the following devices:

- 3.5-inch front-access storage enclosure
- 3.5-inch hard-disk drive (HDD)

For more details, see “Storage drive” on page 37.

Power indicator

Show the system status of your computer.

- **On:** The computer is starting up or working.
- **Off:** The computer is off or in hibernation mode.
- **Blinking:** The computer is in sleep mode.

Storage indicator

The storage indicator blinks when a storage drive is under reading or writing.

SD-card slot

The SD-card slot can be empty or installed with a 3-in-1 card reader that supports the following three types of SD card:

- SD card
- SD High Capacity (SDHC™) card
- SD Extended Capacity (SDXC™) card

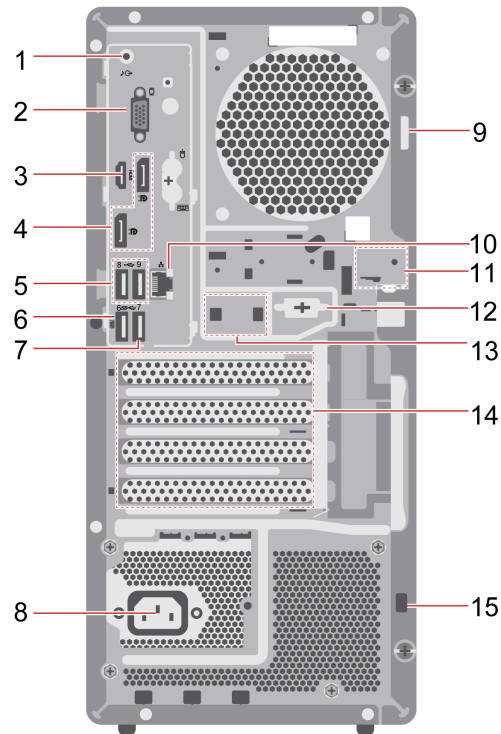
Headset connector

The headset connector is compatible with:

- Headphones or earphones with a 3.5mm (0.14 inch), TRS (3-pole) plug
- Headsets with a 3.5mm (0.14 inch), CTIA-compliant TRRS (4-pole) plug

Note: This headset connector does not support standalone external microphones with a TRS (3-pole) plug or headsets with an OMTP-compliant TRRS (4-pole) plug.

Rear



Item	Description	Item	Description
1	Audio line-out connector	2	Flexible I/O port
3	HDMI™ out connector	4	DisplayPort™ out connectors
5	USB-A connectors (Hi-Speed USB)	6	USB-A connector (USB 5Gbps) (with smart power-on feature)
7	USB-A connector (USB 5Gbps)	8	Power cord connector
9	Padlock loop	10	Ethernet connector
11	E-lock slots	12	Optional connector*
13	Smart cable clip slots	14	PCIe card area
15	Security-lock slot		

* for selected models

Flexible I/O port

Depending on the computer model, the flexible I/O port can be one of the following video output connectors:

- DisplayPort out connector*
- HDMI out connector*
- VGA out connector*
- USB-C out connector*

PCIe card area

Install PCIe cards into this area to improve the operating performance of the computer. Depending on the PCIe cards installed, connectors in this area might be Ethernet connectors, video output connectors, or other connectors. If a graphic card is installed into this area, there can be the following video out connectors:

- HDMI out connectors*
- DisplayPort out connectors*
- MiniDisplayPort™ out connectors*
- DVI out connectors*

Chapter 4. Specifications and expansion

Your computer may come with the specifications and expansion possibilities introduced in this chapter.

Basic specifications

Specification	Description
Dimensions	<ul style="list-style-type: none">• Width: 170 mm (7 inches)• Height: 376 mm (15 inches, with feet)• Depth: 315 mm (12 inches)
Weight (without packaging)	Maximum configuration as shipped: 10 kg (22 lb)
Hardware configuration	Type Device Manager in the Windows search box and then press Enter. Type the administrator password or provide confirmation, if prompted.
Power supply	<ul style="list-style-type: none">• 750-watt automatic voltage-sensing power supply• 500-watt automatic voltage-sensing power supply
Electrical input	<ul style="list-style-type: none">• Input voltage: From 100 V ac to 240 V ac• Input frequency: 50/60 Hz
Video features	<p>The integrated graphics card supports the following video output connectors:</p> <ul style="list-style-type: none">• Two DisplayPort out connectors• One HDMI out connector• Flexible I/O port* that can be one of the following connectors:<ul style="list-style-type: none">– DisplayPort out connector*– HDMI out connector*– VGA out connector*– USB-C out connector* <p>Your computer supports up to two discrete graphics cards, which provide an enhanced video experience and extended capabilities. Depending on the graphics card installed, there can be the following video output connectors:</p> <ul style="list-style-type: none">• HDMI out connectors*• DisplayPort out connectors*• MiniDisplayPort out connectors*• DVI out connectors* <p>* for selected models</p>
Network features	<ul style="list-style-type: none">• Bluetooth*• Ethernet LAN• Wireless LAN*

* for selected models

Operating environment

Maximum altitude (without pressurization)

- Operating: From 0 m (0 ft) to 3048 m (10 000 ft)
- Storage: From 0 m (0 ft) to 12192 m (40 000 ft)

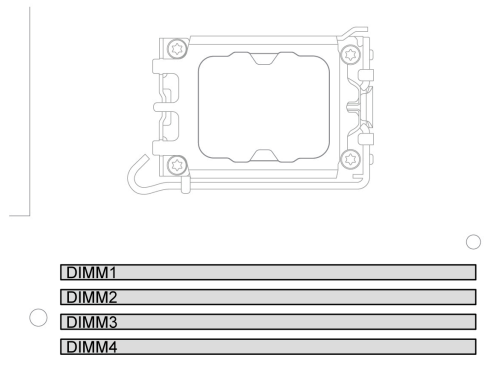
Temperature

- Operating: From 10°C (50°F) to 35°C (95°F)
- Storage: From -40°C (-40°F) to 60°C (140°F)

Relative humidity

- Operating: 20% to 80% (non-condensing)
- Storage: 10% to 90% (non-condensing)

Memory



Quantity

1, 2, or 4 memory modules

Capacity and type

Capacity	Type
8 GB, 16 GB, or 32 GB	DDR5-5600 non-ECC UDIMM
16 GB or 32 GB	DDR5-5600 ECC UDIMM

System memory speed

Your computer can come with one of the following types of memory modules and will run up to the following speed:

Memory module capacity	Memory module quantity	Memory module speed
8 GB, 16 GB, or 32 GB	1 or 2	5600 MT/s
8 GB or 16 GB	4	4800 MT/s
32 GB	4	4400 MT/s

To avoid unexpected frequency reduction, ensure that you install memory modules following the replacement steps and rules.

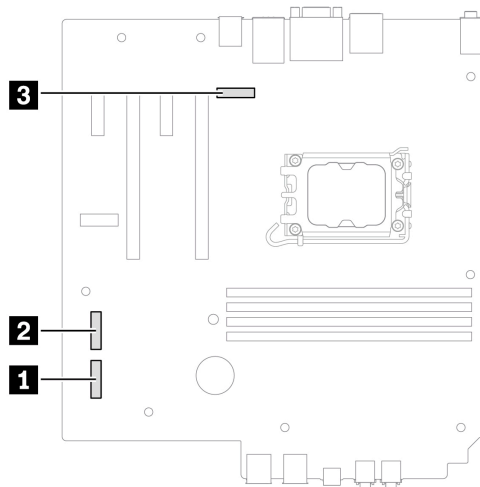
Notes:

- The actual system memory speed of the memory modules varies depending on the microprocessor model. For example, your computer comes with 5600 MT/s memory modules, but the microprocessor only supports up to 4800 MT/s memory modules. Then the system memory speed will be no faster than 4800 MT/s. For microprocessor models supported in your computer, contact the Lenovo Customer Support Center.
- If you install memory modules of different speed, the actual system memory speed will be set to the lowest speed of all the memory modules.

Replacement steps and rules

To install or replace a memory module, see “Memory module” on page 96 for replacement steps and rules.

On-board M.2 SSD



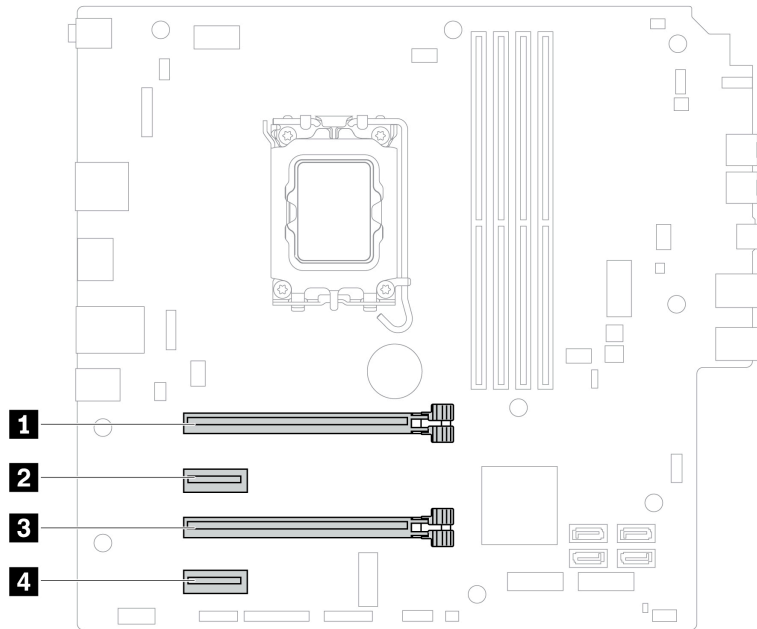
Supported M.2 solid-state drive (SSD)

You can install up to three 2280 Gen 4 M.2 SSD in your computer.

Replacement steps and rules

To install or replace an on-board M.2 SSD, see “On-board M.2 SSD and heat sink” on page 74 for replacement steps and rules.

PCIe card



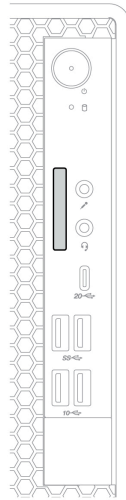
Your computer has four PCIe slots to install PCIe cards such as graphics card, M.2 SSD PCIe adapter card, and other kinds of PCIe adapter card.

Slot	Type
1	PCIe x16 Gen 5 slot
2	PCIe x1 Gen 3 slot
3	PCIe x4 Gen 4 slot (physical link width x16 and negotiable link width x4)
4	PCIe x1 Gen 3 slot

Replacement steps and rules

To install or replace a PCIe card, see “PCIe cards” on page 80 for replacement steps and rules.

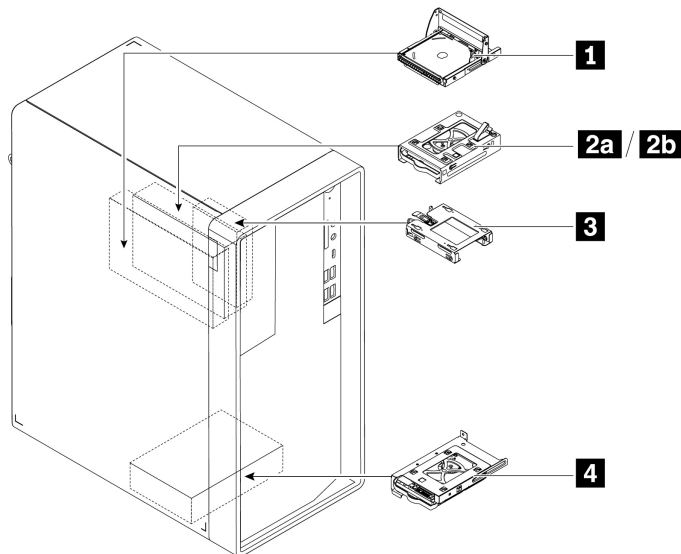
SD card



Your computer has an SD-card slot on the front panel. In the SD-card slot, you can install a 3-in-1 card reader that supports one of the following three types of SD card:

- SD card
- SD High Capacity (SDHC™) card
- SD Extended Capacity (SDXC™) card

Storage drive



Item	Cages	Supported drives
1	Slim ODD cage*	Slim ODD
2a	Front-access storage enclosure*	3.5-inch HDD

Item	Cages	Supported drives
2b	3.5-inch optional storage drive cage*	3.5-inch HDD
3	2.5-inch optional storage drive cage*	2.5-inch HDD Note: 3 can only be used after 2b is populated.
4	Internal storage drive cage	3.5-inch HDD

* for selected models

Priority of storage cages

- For **1**, **2a**, or **4**, there is no required priority order.
- For **1** or zero (empty) **2b**, there is no required priority order.
- For **2b**, **3** or **4**, follow this priority order:

Priority	Storage drive cage
1	4
2	2b
3	3

Replacement steps and rules of devices in the storage bays

To add or replace a device in the storage bays, see “Slim-ODD-relevant parts” on page 62 and “Storage” on page 68 for replacement steps and rules.

Chapter 5. Service checkout and symptom-to-FRU index

This chapter provides information about general service checkout and symptom-to-FRU index.

Service checkout

Attention: The drives in the computer you are servicing might have been rearranged or the drive startup sequence changed. Be extremely careful during write operations such as copying, saving, or formatting. Data or programs can be overwritten if you select an incorrect drive.

General error messages appear if a problem or conflict is found by a program, the operating system, or both. For an explanation of these messages, refer to the information supplied with that software package.

Use the following procedure to help determine the cause of the problem:

1. Turn off the computer and all external devices.
2. Check all cables and power cords.
3. Set all display controls to the middle position.
4. Turn on all external devices.
5. Turn on the computer.
 - Look for displayed error codes.
 - Listen for beep codes.
 - Look for readable instructions or a main menu on the display.

If you *did not* receive the correct response, proceed to step 6 on page 39.

If you *do* receive the correct response, proceed to step 7 on page 39.

6. Look at the following conditions and follow the instructions:
 - If you hear beep codes during POST, go to “Beep symptoms” on page 41.
 - If the computer displays a POST error, go to “POST error codes” on page 42.
 - If the computer hangs and no error is displayed, continue at step 7 on page 39.
7. Run the Diagnostic programs. See Chapter 7 “Diagnostics” on page 49.
 - If you receive an error, replace the part that the diagnostic program calls out.
 - If the test stops and you cannot continue, replace the last device tested.

Problem determination tips

Due to the variety of hardware and software combinations that can be encountered, use the following information to assist you in problem determination. If possible, have this information available when requesting assistance from Service Support and Engineering functions.

- Machine type and model
- Processor or hard disk drive upgrades
- Failure symptom
 - Do diagnostics indicate a failure?
 - What, when, where, single, or multiple systems?
 - Is the failure repeatable?
 - Has this configuration ever worked?

- If it has been working, what changes were made prior to its failing?
- Is this the original reported failure?
- Diagnostics version
 - Type and version level
- Hardware configuration
 - Print (print screen) configuration currently in use
 - BIOS level
- Operating system software
 - Type and version level

Notes: To eliminate confusion, identical systems are considered identical only if they:

1. Are the exact machine type and models
2. Have the same BIOS level
3. Have the same adapters/attachments in the same locations
4. Have the same address jumpers/terminators/cabling
5. Have the same software versions and levels
6. Have the same Diagnostic Diskettes (version)
7. Have the same configuration options set in the system
8. Have the same setup for the operating system control files

Comparing the configuration and software set-up between “working and non-working” systems will often lead to problem resolution.

Symptom-to-FRU index

The Symptom-to-FRU index lists error symptoms and possible causes. The most likely cause is listed first. Always begin with “Service checkout” on page 39. This index can also be used to help you decide which FRUs to have available when servicing a computer. If you are unable to correct the problem using this index, go to “Undetermined problems” on page 45.

Notes:

- The Symptom-to-FRU index is not specific to any machine type and are applicable to all computers.
- If you have both an error message and an incorrect audio response, diagnose the error message first.
- If you cannot run the diagnostic tests or you get a diagnostic error code when running a test, but did receive a POST error message, diagnose the POST error message first.
- If you did not receive any error message, look for a description of your error symptoms in the first part of this index.

Hard disk drive boot error

A hard disk drive boot error can have the following causes.

Error	FRU/Action
The start-up drive is not in the boot sequence in configuration.	Check the configuration and ensure that the start-up drive is in the boot sequence.
No operating system installed on the boot drive.	Install an operating system on the boot drive.

Error	FRU/Action
The boot sector on the startup drive is corrupted.	The drive must be formatted. Do the following: <ol style="list-style-type: none"> 1. Attempt to back up the data on the failing hard disk drive. 2. Using the operating system programs, format the hard disk drive.
The drive is defective.	Replace the hard disk drive.

Power supply problems

If you suspect a power problem, use the following procedures.

Check/Verify	FRU/Action
Check the following for proper installation. <ul style="list-style-type: none"> • Power cord • On/Off switch connector • On/Off switch power supply connector • System board power supply connectors • CPU connection 	Reseat connectors
Check the power cord for continuity.	Power cord
Check the power-on switch for continuity.	Power-on switch

Beep symptoms

Beep symptoms are tones or a series of tones separated by pauses (intervals without sound) during POST.

The following table describes the beep symptoms.

Beep symptom	FRU/Action
2 short beeps: common POST error	Common POST error code. See the detailed failure information in "POST error codes" on page 42.
3 short and 1 long beeps: DRAM memory error	Perform the following actions in order: <ol style="list-style-type: none"> 1. Make sure that the memory modules are properly seated in the memory slots. 2. Replace the memory modules. 3. Replace the system board.
4 long beeps: insufficient shadow RAM resources for option ROM (error code: 8998) or PCIe/PCI MMIO (memory mapped input/output) resources (error code: 8999)	See the detailed failure information in "POST error codes" on page 42.
2 long and 3 short beeps: graphics card error	Perform the following actions in order: <ol style="list-style-type: none"> 1. Make sure that the graphics cards are properly seated in the slots. 2. Replace the graphics cards. 3. Replace the system board.

POST error codes

Each time you turn on the system, it performs a series of tests that check the operation of the system and some options. This series of tests are called the *Power-On Self-Test*, or *POST*. POST checks the following operations:

- Some basic system-board operations
- Memory operation
- Video operation
- Whether the boot drive is working

If the POST detects a problem, an error message appears on the screen. A single problem might cause several error messages to appear. When you correct the cause of the first error message, the other error messages probably will not appear on the screen the next time.

Error code	POST error message	Description/Action
0135	CPU fan failure System fan failure Power fan failure Front fan failure Rear fan failure Auxiliary fan failure ODD fan failure	This error message is displayed when a fan fails and the system might be overheating. Press F10 to exit.
0162	Setup data integrity check failure	This error indicates the checksum of BIOS Setup data in NVRAM is bad. In BIOS Setup, the "Save Changes and Exit" operation is needed in order to clear this error.
0164	Memory configuration change has occurred	This error message is displayed when the memory size is changed. Press F10 to exit.
1762	Storage device configuration change has occurred	This error message is displayed when a hard disk drive change or an optical drive change has been made. Press F10 to exit.

Error code	POST error message	Description/Action
8998	Not enough shadow RAM resources for OPTION ROM, not all devices initialized. Suggest to remove some add-on cards, or change to UEFI mode in BIOS setup.	<p>This error message is displayed when the shadow RAM resources for option ROM are insufficient.</p> <p>If the legacy option ROM is insufficient, remove some add-in cards.</p> <p>For the system that supports UEFI, set UEFI as the first priority.</p>
8999	Not enough PCIe/PCI MMIO resources. Currently only one video card is enabled. Remove some PCIe cards.	<p>This error message is displayed when the PCIe/PCI MMIO (memory mapped input/output) resources are insufficient.</p> <p>Remove some add-in cards.</p>

Miscellaneous error conditions

Message/Symptom	FRU/Action
Changing display colors	Display/Monitor
Computer will <i>not</i> power-off. See “Hard disk drive boot error” on page 40.	<ol style="list-style-type: none"> 1. Power Switch 2. System Board 3. Riser card, if installed.
Computer will <i>not</i> RPL from server	<ol style="list-style-type: none"> 1. Ensure that the network is in startup sequence as the first device or the first device after diskette. 2. Ensure that the network adapter is enabled for RPL. 3. Network adapter (Advise network administrator of new MAC address)
Computer will <i>not</i> perform a Wake On LAN® (if applicable)	<ol style="list-style-type: none"> 1. Check the power supply and signal cable connections to the network adapter. 2. Ensure that the operating system settings are set to enable Wake on LAN. 3. Ensure that the Wake On LAN feature is enabled in Setup/Configuration. 4. Ensure that the network administrator is using the correct MAC address. 5. Ensure no interrupt or I/O address conflicts. 6. Network adapter (advise network administrator of new MAC address)
Dead computer. See “Hard disk drive boot error” on page 40.	<ol style="list-style-type: none"> 1. Power Supply 2. System Board
Diskette drive in-use light remains on or does not light when drive is active.	<ol style="list-style-type: none"> 1. Diskette Drive 2. System Board 3. Diskette Drive Cable

Message/Symptom	FRU/Action
Blank screen except for flashing cursor.	<ol style="list-style-type: none"> 1. System Board 2. Primary Hard Disk Drive 3. Hard Disk Drive Cable
Incorrect memory size during POST	<ol style="list-style-type: none"> 1. Run the Memory tests. 2. Memory Module 3. System Board
"Insert a Diskette" icon appears with a known-good diagnostics diskette in the first 3.5-inch diskette drive.	<ol style="list-style-type: none"> 1. System Board 2. Diskette Drive Cable 3. Network Adapter
Intensity or color varies from left to right of characters and color bars	<ol style="list-style-type: none"> 1. Display 2. Video adapter (if present) 3. System Board
No power or fan not running	<ol style="list-style-type: none"> 1. See "Hard disk drive boot error" on page 40.
Non-system disk or disk error-type message with a known-good diagnostic diskette.	<ol style="list-style-type: none"> 1. Diskette Drive 2. System Board 3. Diskette Drive Cable
Other display symptoms not listed above (including blank or illegible display)	<ol style="list-style-type: none"> 1. Display 2. System Board
Power-on indicator or hard disk drive in-use light not on, but computer works correctly	<ol style="list-style-type: none"> 1. Power switch/LED assembly 2. System Board
Printer problems	<ol style="list-style-type: none"> 1. Printer 2. System Board
Program loads from the hard disk with a known-good diagnostics diskette in the first 3.5-inch diskette drive	<ol style="list-style-type: none"> 1. Run the Setup Utility program and check the Startup sequence. 2. Diskette Drive 3. Diskette Drive Cable 4. System Board 5. Power Supply
RPL computer cannot access programs from its own hard disk.	<ol style="list-style-type: none"> 1. If the network administrator is using LCCM Hybrid RPL, check the startup sequence: <ol style="list-style-type: none"> a. First device - network b. Second device - hard disk 2. Hard disk drive
RPL computer does not RPL from server	<ol style="list-style-type: none"> 1. Check the startup sequence. 2. Check the network adapter LED status.

Message/Symptom	FRU/Action
Serial or parallel connector device failure (system board connector)	<ol style="list-style-type: none"> 1. External Device Self-Test OK? 2. External Device 3. Cable 4. System Board
Serial or parallel connector device failure (adapter connector)	<ol style="list-style-type: none"> 1. External Device Self-Test OK? 2. External Device 3. Cable 4. Alternate Adapter 5. System Board
Some or all keys on the keyboard do not work	<ol style="list-style-type: none"> 1. Keyboard 2. Keyboard Cable 3. System Board

Undetermined problems

This section provides instructions on how to find out the failing devices or adapters.

1. Turn off the computer.
2. Remove or disconnect the following components (if installed) one at a time.
 - a. External devices (modem, printer, or mouse)
 - b. Any adapters
 - c. Memory modules
 - d. Extended video memory
 - e. External Cache
 - f. External Cache RAM
 - g. Hard disk drive
 - h. Diskette drive
3. Turn on the computer to retest the system.
4. Repeat steps 1 through 3 until you find the failing device or adapter.

If all devices and adapters have been removed, and the problem continues, replace the system board. See Chapter 8 “Hardware removal and installation” on page 53.

Recover from a BIOS update failure

1. Remove all media from the drives and turn off all connected devices.
2. Insert the BIOS update disc into the optical drive, and then turn off the computer.
3. Disconnect all power cords from electrical outlets. Then, remove any parts that impede access to the Clear CMOS jumper.
4. Move the jumper from the standard position to the Clear CMOS position.
5. Reconnect the power cords for the computer and the monitor to electrical outlets.
6. Turn on the computer and the monitor. When the computer beeps, the recovery process begins.
7. After the recovery process is completed, the computer will be turned off automatically.

Note: Depending on the computer model, the recovery process will take two to three minutes.

8. Disconnect all power cords from electrical outlets.
9. Move the jumper back to the standard position.
10. Reinstall all the parts that have been removed. Then, reconnect the power cords for the computer and the monitor to electrical outlets.
11. Turn on the computer and the monitor. When the logo screen is displayed, press F1 or Fn+F1.
12. To prevent data loss, ensure that BIOS settings are restored to an earlier point.

Clear CMOS

1. Remove all media from the drives and turn off all connected devices and the computer.
2. Disconnect all power cords from electrical outlets. Then, remove any parts that impede access to the Clear CMOS jumper.
3. Move the jumper from the standard position to the Clear CMOS position.
4. Reconnect the power cords for the computer and the monitor to electrical outlets.
5. Turn on the computer and the monitor. When the computer beeps, wait for approximately 10 seconds.
6. Turn off the computer by holding the power button for approximately four seconds.
7. Disconnect all power cords from electrical outlets.
8. Move the jumper back to the standard position.
9. Reinstall all the parts that have been removed. Then, reconnect the power cords for the computer and the monitor to electrical outlets.
10. Turn on the computer and the monitor. When the logo screen is displayed, press F1 or Fn+F1.
11. To prevent data loss, ensure that BIOS settings are restored to an earlier point.

Chapter 6. RAID

What is RAID

Redundant Array of Independent Disks (RAID) is a technology that provides increased storage functions and reliability through redundancy. It also can improve data storage reliability and fault tolerance compared with single-drive storage systems. Data loss resulting from a drive failure can be prevented by reconstructing missing data from the remaining drives.

When a group of independent physical storage drives is set up to use RAID technology, they are in a RAID array. This array distributes data across multiple storage drives, but the array appears to the host computer as one single storage unit. Creating and using RAID arrays provides high performance, such as the expedited I/O performance, because several drives can be accessed simultaneously.

Configure RAID with Intel RST configuration utility

Your computer comes with the Intel RST configuration utility. You can follow the sections below to configure RAID with Intel RST configuration utility.

Storage drive requirements for RAID levels

Your computer must have the minimum number of SATA or NVMe storage drives installed for the supported level of RAID below:

- RAID 0: striped disk array
 - Consists of at least two SATA or NVMe storage drives
 - Supported strip size: 4 KB, 8 KB, 16 KB, 32 KB, 64 KB, or 128 KB
 - Better performance without fault tolerance
- RAID 1: mirrored disk array
 - Consists of two SATA or NVMe storage drives
 - Improved reading performance and 100% redundancy
- RAID 5: block-level striped disk array with distributed parity
 - Consists of at least three NVMe storage drives
 - Supported strip size: 16 KB, 32 KB, 64 KB, or 128 KB
 - Better performance and fault tolerance

Enable the SATA RAID functionality

To enable SATA RAID functionality:

1. Restart the computer. When the logo screen is displayed, press F1 or Fn+F1.
2. Select **Devices** → **Storage Setup** and press Enter.
3. Select **Configure Storage as** and press Enter.
4. Select **RAID** and press Enter.
5. Press F10 or Fn+F10 to save the changes and exit.

Create RAID volumes

Attention: All the existing data stored on the selected drives will be erased while the RAID volume is being created.

To create RAID volumes:

1. Restart the computer. When the logo screen is displayed, press F1 or Fn+F1.
2. Select **Devices → Storage Setup** and press Enter.
3. Select **Intel (R) Rapid Storage Technology** and press Enter.
4. Select **Create RAID Volume** and press Enter.
5. Select **Name** and press Enter. When prompted, type a proper RAID Volume name in the field.
6. Select **RAID Level** and press Enter. When prompted, select a RAID level in the field.
7. Use the arrow keys and the space key to mark individual physical storage drives to be added in the RAID volume.
8. Select **Strip Size** and press Enter. When prompted, select a strip size in the field.
9. Select **Capacity** and type a volume size in the field.
10. Select **Create Volume** and press Enter to initiate volume creation.

Delete RAID volumes

Attention: All the existing data stored on the selected drives will be erased after you delete RAID volumes.

To delete RAID volumes:

1. Restart the computer. When the logo screen is displayed, press F1 or Fn+F1.
2. Select **Devices → Storage Setup** and press Enter.
3. Select **Intel (R) Rapid Storage Technology** and press Enter.
4. Select the RAID volume to be deleted and press Enter.
5. Select **Delete** and press Enter.
6. Select **Yes** to confirm the deletion of the selected RAID volume. Deleting a RAID volume will reset the storage drives to non-RAID.

Reset storage drives to non-RAID

To reset your storage drives to non-RAID:

1. Restart the computer. When the logo screen is displayed, press F1 or Fn+F1.
2. Select **Devices → Storage Setup** and press Enter.
3. Select **Intel (R) Rapid Storage Technology** and press Enter.
4. Select the RAID volumes and press Enter to view the detailed information. Select the storage drives you want to reset to non-RAID and then press Enter.
5. Select **Reset to Non-RAID** and press Enter.
6. Select **Yes** to reset the storage drives to non-RAID.

Chapter 7. Diagnostics

Use diagnostic solutions to test hardware components and report operating-system-controlled settings that interfere with the correct operation of your computer.

Basic procedure for resolving computer problems

Prerequisite

Before you start, read Chapter 1 “Important safety information” on page 1 and print the following instructions.

1. Check that:
 - a. The cables for all connected devices are connected correctly and securely.
 - b. All components have been reassembled correctly.
 - c. All connected devices that require ac power are connected to properly grounded and working electrical outlets.
 - d. All connected devices are enabled in UEFI BIOS.
2. Use an antivirus program to see if the computer has been infected by a virus. If the program detects a virus, remove the virus.
3. Go to “Self-help resources” on page 50 and follow the instructions for the type of problem you are experiencing.
4. Run the diagnostic program.
5. Recover your operating system. See “Self-help resources” on page 50.
6. If the problem persists, contact Lenovo.

UEFI diagnostic program

A UEFI diagnostic program is preinstalled on the computer. It enables you to test memory modules and internal storage devices, view system information, and check and recover bad sectors on internal storage devices.

To run the UEFI diagnostic program, do the following:

1. Turn on the computer. If the computer cannot be turned on, go to “Basic procedure for resolving computer problems” on page 49. If an error code is displayed, go to “Symptom-to-FRU index” on page 40 for error code descriptions and troubleshooting hints.
2. Repeatedly press and release the F10 key when turning on the computer. The main screen of the UEFI diagnostic program is displayed.
3. Follow the instructions on the screen to use the diagnostic program.

The options on the main screen are as follows:

Table 1. Options on the main screen of the UEFI diagnostic program

DIAGNOSTICS	TOOLS
<ul style="list-style-type: none"> • CPU [U] • DISPLAY [D] • MEMORY [E] • MOTHERBOARD [H] • PCI EXPRESS [P] • STORAGE [S] • AUDIO [Z] • OPTICAL [O] • RUN ALL [R] 	<ul style="list-style-type: none"> • SYSTEM INFORMATION [F1] • BAD BLOCK RECOVERY [F3] • SMART INFORMATION [F5]

Note: The options on the main screen might vary, depending on the hardware configuration and the UEFI diagnostic program version preinstalled on the computer.

Lenovo diagnostic tools

For information about Lenovo diagnostic tools, go to:
<https://pcsupport.lenovo.com/lenovodiagnosicsolutions>

Self-help resources

Use the following self-help resources to learn more about the computer and troubleshoot problems.

Resources	How to access?
Troubleshooting and frequently asked questions	<ul style="list-style-type: none"> • https://www.lenovo.com/tips • https://forums.lenovo.com
Accessibility information	https://www.lenovo.com/accessibility
Reset or restore Windows	<ul style="list-style-type: none"> • Use Lenovo recovery options. <ol style="list-style-type: none"> 1. Go to https://support.lenovo.com/HowToCreateLenovoRecovery. 2. Follow the on-screen instructions. • Use Windows recovery options. <ol style="list-style-type: none"> 1. Go to https://pcsupport.lenovo.com. 2. Detect your computer or manually select your computer model. 3. Navigate to the troubleshooting menu to diagnose the operating system for recovery instructions.

Resources	How to access?
<p>Use the Vantage app to:</p> <ul style="list-style-type: none"> • Configure device settings. • Download and install UEFI BIOS, drivers and firmware updates. • Secure you computer from outside threats. • Diagnose hardware problems. • Check the computer warranty status. • Access <i>User Guide</i> and helpful articles. <p>Note: The available features vary depending on the computer model.</p>	<p>Type Vantage in the Windows search box.</p>
<p>Product documentation:</p> <ul style="list-style-type: none"> • <i>Safety and Warranty Guide</i> • <i>Generic Safety and Compliance Notices</i> • <i>Setup Guide</i> • <i>This User Guide</i> • <i>Regulatory Notice</i> 	<p>Go to https://pcsupport.lenovo.com. Then, follow the on-screen instructions to filter out the documentation you want.</p>
<p>Lenovo Support Web site with the latest support information of the following:</p> <ul style="list-style-type: none"> • Drivers and software • Diagnostic solutions • Product and service warranty • Product and parts details • Knowledge base and frequently asked questions 	<p>https://pcsupport.lenovo.com</p>
<p>Windows help information</p>	<ul style="list-style-type: none"> • Type Get Help or Tips in the Windows search box. • Use Windows Search. • Microsoft support Web site: https://support.microsoft.com

Chapter 8. Hardware removal and installation

This chapter provides instructions on how to remove and install hardware for your computer.

Service tool kit

Ensure that the following common service tool kit is prepared before you service the computer.

No.	Tool name	Specification	Product scope	Tool type
1	Screwdriver: Phillips Head 0	PH0	All	Common tool
2	Screwdriver: Phillips Head 00	PH00	All	Common tool
3	Screwdriver: Phillips Head 01	1	All	Common tool
4	Screwdriver: Phillips Head 01	1, Shank length greater than 6 inches	ThinkStation/DT	Common tool
5	Screwdriver: Phillips Head 02	2, Shank length greater than 6 inches	ThinkStation/SC/DT	Common tool
6	Screwdriver: Torx Head T5	T5	IdeaPad	Common tool
7	Screwdriver: Torx Head T15	T15, for Chassis outside	ThinkStation	Common tool
8	Screwdriver: Torx Head T20	T20, Shank length greater than 6 inches, for heatsink and CPU	ThinkStation	Common tool
9	Screwdriver: Torx Head T30	T30, Shank length greater than 6 inches, for heatsink and CPU	ThinkStation	Common tool
10	Pry tools 1	N/A	All	Common tool
11	Tweezers (conductive)	N/A	All	Common tool
12	Tweezers (isolated)	N/A	All	Common tool
13	Suction cup	N/A	All	Common tool

No.	Tool name	Specification	Product scope	Tool type
14	Hexagonal socket (for VGA)	H5 mm or 4.8 mm	ThinkCentre/Tiny	Common tool
15	Hexagonal socket (for Tiny antenna)	H8 mm	ThinkCentre/Tiny	Common tool
16	Adjustable Torque Screwdriver	0.2 Nm to 4.0 Nm, Threadripper CPU, CAMM, etc	All	Common tool
17	ESD Mat	ESD Mat	All	Common tool
18	USB Flash Drives	For Golden Key, Chrome Reloads, AutoPilot, etc	All	Common tool
19	USB-C to USB-A Converter	For USB-C only systems	All	Common tool
20	SSD/WWAN/IC Thermal pad	Thermal pads are typically used under the SSD/WWAN/IC in different thicknesses, the most common being 0.5 mm.	All	Consumable
21	Silicone grease for CPU or heatsink repairing	N/A	All	Consumable
22	Polyamide tape	N/A	All	Consumable
23	Mylar tape	N/A	All	Consumable
24	Eraser	N/A	All	Consumable
25	Electrical tape	N/A	All	Consumable
26	Double sided tape	N/A	All	Consumable
27	Conductive tape	N/A	All	Consumable
28	Cleaning pads/wipes	N/A	All	Consumable
29	Heat gun	N/A	All	Special Tool (Depot only)

No.	Tool name	Specification	Product scope	Tool type
30	Brown brush	25 mm to 35 mm wide	All	Special tool
31	Contact Cleaner Spray	WD-40 Contact Cleaner for battery connector	ThinkPad X1 Carbon	Special tool
32	Hexagonal socket	17 mm	Yoga AIO 7 27ACH6/ Yoga AIO 7 27ARH6	Special tool

Note: The silicone grease can be applied to the surfaces of the CPU and heat sink to eliminate air gaps. For parts with silicone grease applied, it is suggested that you apply new grease during the installation.

Major FRUs and CRUs

Your computer contains the following types of CRUs and FRUs:

- **Self-service CRUs:** Refer to parts that can be replaced easily by customer themselves or by trained service technicians at an additional cost.
- **Optional-service CRUs:** Refer to parts that can be replaced by customers with a greater skill level. Trained service technicians can also provide service to replace the parts under the type of warranty designated for the customer's machine.
- **FRUs:** Refer to parts that are more complicated to replace and it is recommended that these should be replaced by trained service technicians. If customers elect to replace the FRUs by themselves, we recommend that you ensure the correct instructions provided by Lenovo are carefully followed.

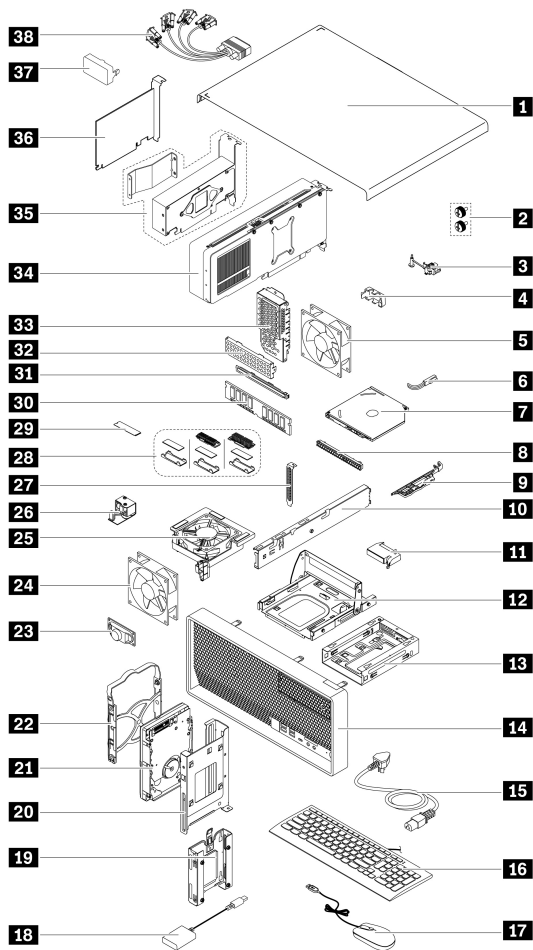
For detailed FRU and CRU information, such as the FRU part numbers and supported computer models, go to:

<http://www.lenovo.com/serviceparts-lookup>

CRU list

The following is the CRU list of your computer.

Exploded view



Part list

Self-service CRUs:

- 1** Side cover
- 2** Screws
- 4** Smart cable clip*
- 6** Slim-ODD cable*
- 7** Slim ODD*
- 8** Slim-ODD bezel*
- 9** Slim-ODD latch*
- 10** Chassis beam
- 11** Graphics card holder*
- 12** Slim-ODD cage*
- 13** 3.5-inch optional storage drive cage* or front-access storage enclosure*
- 14** Front bezel
- 15** Power cord
- 16** Keyboard*
- 17** Mouse*
- 18** Dongle*
- 19** 2.5-inch HDD cage*
- 20** 3.5-inch internal storage drive cage
- 21** 3.5-inch HDD*
- 22** 3.5-inch storage drive tray*
- 27** PCIe card bracket*
- 28** On-board M.2 SSD bracket, heat sink, and thermal pad*
- 29** M.2 SSD*
- 30** Memory module
- 31** ODD EMI shielding*
- 32** HDD EMI shielding*
- 33** Graphics card bracket*
- 37** Rear Wi-Fi antenna cover
- 38** 4-serial cable*

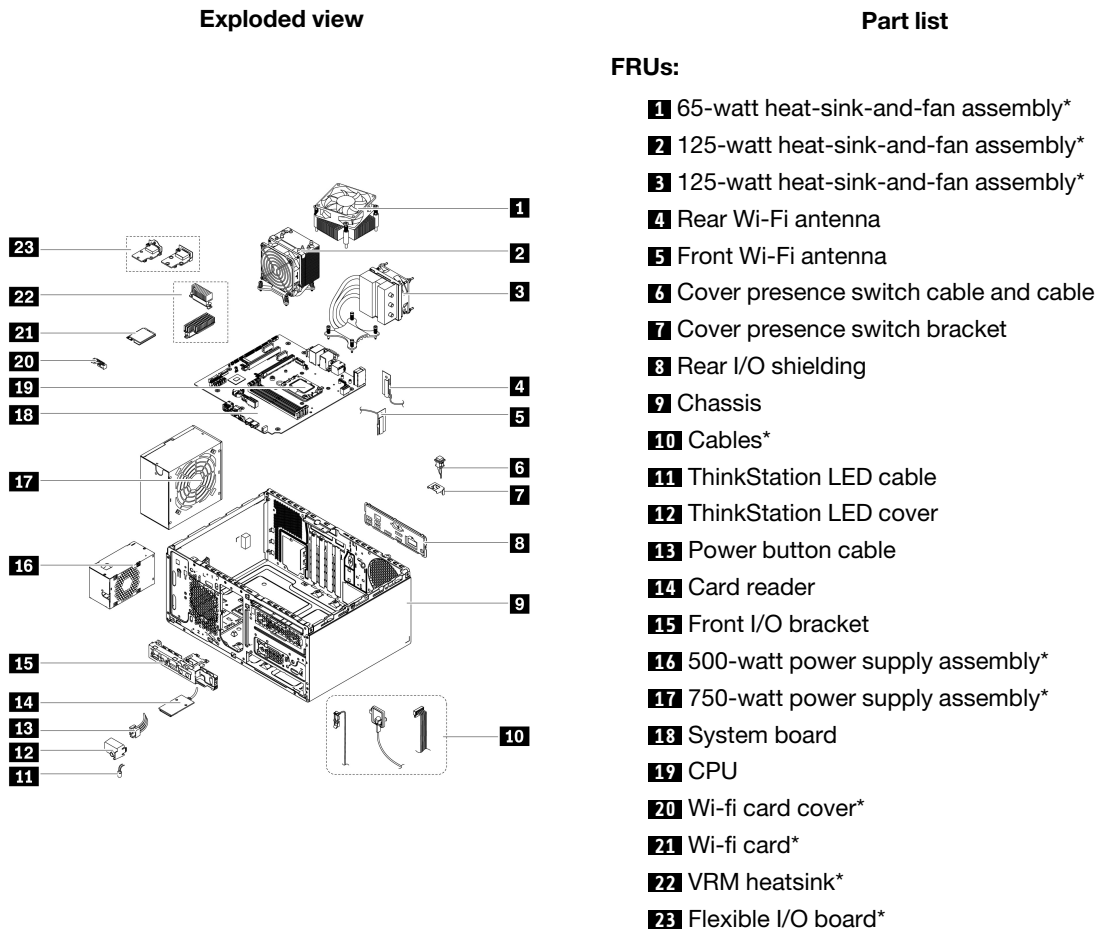
Optional-service CRUs:

- 3** On-board M.2 SSD holder*
- 5** Rear fan
- 23** Internal speaker
- 24** Front fan
- 25** Side fan with bracket*
- 26** E-lock*
- 34** Graphics card*
- 35** Graphics card and extender*
- 36** PCIe adapter card*

* for selected models

FRU list

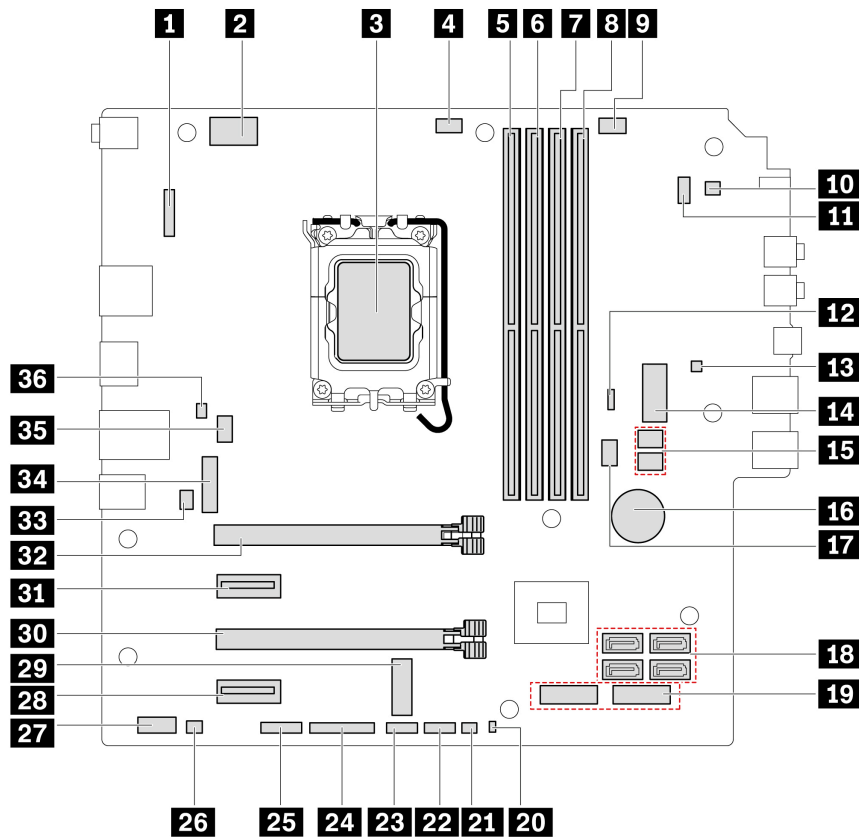
The following is the FRU list of your computer.



* for selected models

System board illustration

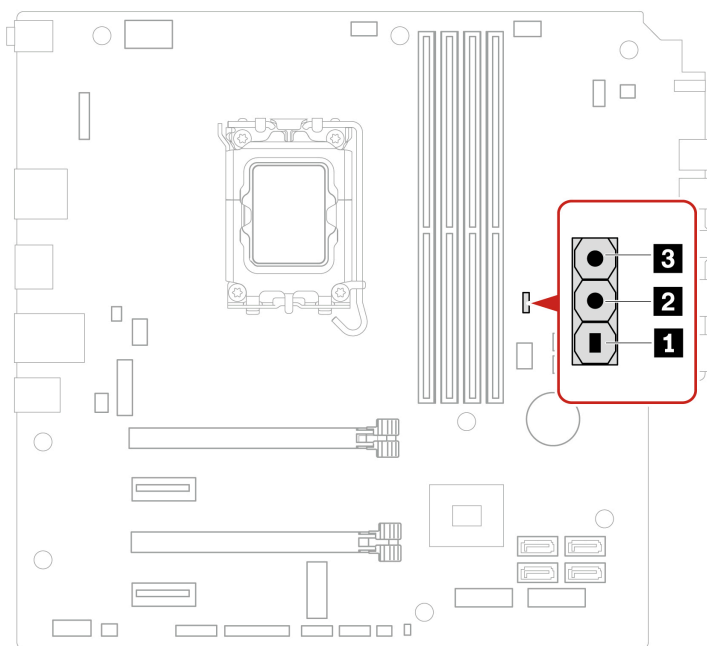
Note: The system board might look slightly different from the illustration.



Item	Item
1 Flexible I/O port card connector	2 8-pin CPU power connector
3 CPU socket	4 CPU fan connector
5 Memory slot (DIMM1)	6 Memory slot (DIMM2)
7 Memory slot (DIMM3)	8 Memory slot (DIMM4)
9 Auxiliary fan connector 2 (side fan)	10 Internal speaker connector
11 Front panel connector	12 Clear CMOS (Complementary Metal Oxide Semiconductor)/Recovery jumper
13 Logo LED connector	14 10-pin system board power connector
15 SATA power connectors	16 Coin-cell battery
17 Auxiliary fan connector 1 (front fan)	18 SATA connectors
19 M.2 solid-state drive slots (Gen 4)	20 Management engine (ME) disabling connector
21 Thermal sensor connector	22 Front USB connector 1
23 Front USB connector 2	24 Line printer terminal (LPT) header
25 Serial (COM) connector	26 Thunderbolt™ connector 2
27 Thunderbolt™ connector 1	28 PCIe x1 Gen 3 slot 4
29 Wi-Fi card slot	30 PCIe x4 Gen 4 slot (physical link width x16 and negotiable link width x4)
31 PCIe x1 Gen 3 slot	32 PCIe x16 Gen 5 slot

Item	Item
33 E-lock connector	34 M.2 solid-state drive slot (Gen 5)
35 System fan connector (rear fan)	36 Cover presence switch connector

Clear CMOS position



Item	Description	Item	Description
1 and 2	Standard position	2 and 3	Clear CMOS position

Prerequisites for hardware replacement

General prerequisites

Read *Generic Safety and Compliance Notices*.

Prerequisites for opening left side cover of the computer

-



During operation, some components become hot enough to burn the skin. Before you open the computer cover, remove any media from the drives, turn off the computer and connected devices, disconnect power, remove all cables and locking devices, and wait approximately 10 minutes until the computer is cool.

- Unlock any locking device that secures the computer.
- Lay down the computer to place the left side cover facing up.

- Before reaching parts with cables, record the cable routing for future reference and then disconnect its cable from the system board.

Prerequisites for replacing storage drives

Attention: The internal storage drives are sensitive. Inappropriate handling might cause damage and loss of data. When handling the internal storage drives observe the following guidelines:

- Replace the internal storage drives only for repair. The internal storage drive is not designed for frequent changes or replacement.
- Before replacing the internal storage drives, make backup copy of all the data that you want to keep and safely eject the old storage drives from the operating system. For more information, see the operating system help system.
- Do not touch the contact edge of the internal storage drives. Otherwise, the internal storage drives might get damaged.
- Do not apply pressure to the internal storage drives.
- Do not make the internal storage drives subject to physical shocks or vibration. Put the internal storage drives on soft material, such as a cloth, to absorb physical shocks.

Prerequisites for replacing hot-swappable storage drives in the front-access storage enclosure

The storage drive in the front-access storage enclosure can be hot-swappable when certain requirements are met. It means that you can open the front-access storage enclosure bezel to install or replace the drive inside without even turning off your computer. Therefore, lock the enclosure cover to prevent any unexpected removal or data loss. The keys are attached at the rear panel of the computer. Store the keys in a secure place.

Attention: The storage drive in the front-access storage enclosure is hot-swappable only when the following requirements are met. If any of the requirements are not met, do not install or replace the storage drive when the computer is turned on. Otherwise, data on the storage drive might get damaged.

- The eSATA mode of the SATA 4 connector is enabled in BIOS by doing the following:
 1. Restart the computer. When the logo screen is displayed, press F1 or Fn+F1.
 2. Select **Devices** → **Storage Setup** → **SATA Drive 4 Hot-Plug Support** and press Enter.
 3. Select **Enabled** and press Enter.
 4. Press F10 or Fn+F10 to save the changes and exit.
- The SATA cable of the front-access storage enclosure is connected to the SATA 4 connector on the system board.
- The operating system of your computer does not reside on the storage drive in the front-access storage enclosure.

Prerequisites for replacing power supply assembly

Although there are no moving parts in the computer after the power cord has been disconnected, the following warnings are required for your safety.



Keep fingers and other parts of your body away from hazardous, moving parts. If you suffer an injury, seek medical care immediately. Never remove the cover on a power supply or any part that has the following label attached.



Hazardous voltage, current, and energy levels are present inside any component that has this label attached. There are no serviceable parts inside these components. If you suspect a problem with one of these parts, contact a service technician.

Handling static-sensitive devices

Do not open the static-protective package containing the new part until the defective part has been removed and you are ready to install the new part. Static electricity, although harmless to you, can seriously damage computer components and options.

When you handle options and other computer components, take these precautions to avoid static-electricity damage:

- Limit your movement. Movement can cause static electricity to build up around you.
- Always handle options and other computer components carefully. Handle PCI/PCIe cards, memory modules, system boards, and CPUs by the edges. Never touch any exposed circuitry.
- Prevent others from touching the options and other computer components.
- Touch the static-protective package containing the part to a metal expansion-slot cover or other unpainted metal surface on the computer for at least two seconds. This reduces static electricity from the package and your body before you install or replace a new part.
- When possible, remove the new part from the static-protective package, and install it directly in the computer without setting the part down. When this is not possible, place the static-protective package on a smooth, level surface and place the part on the package.
- Do not place the part on the computer cover or other metal surface.

Side cover

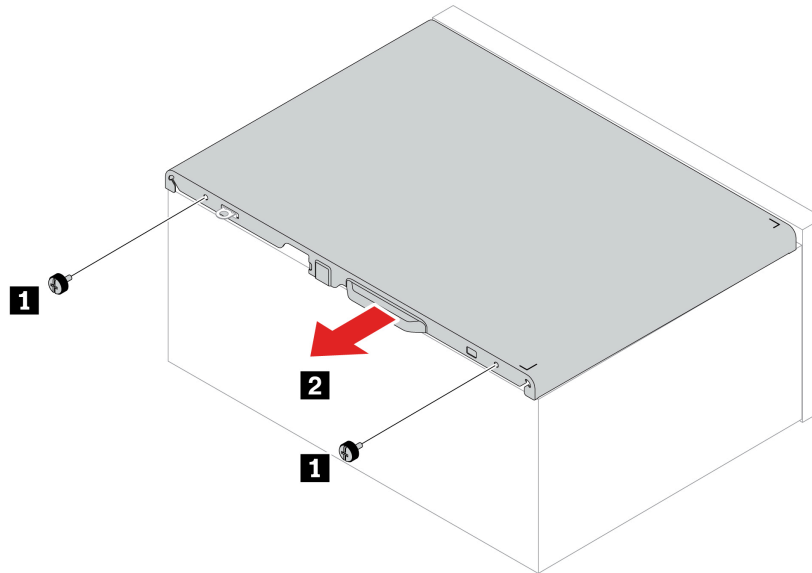
Prerequisite

Before you start, ensure that you have read the relevant sections in Prerequisites for hardware replacement, which includes:

- General prerequisites
- Prerequisites for opening left side cover of the computer
- Prerequisites for replacing storage drives
- Prerequisites for replacing hot-swappable storage drives in the front-access storage enclosure
- Prerequisites for replacing power supply assembly

Removal steps

Loosen the screws and then remove the side cover.



Step	Screw (quantity)	Torque
1	#6-32 × 7.5 mm (0.3 inches), Nickel coated (2)	0.34 ± 0.06 Nm (3.46 ± 0.58 kgf-cm)

Notes:

- If a locking device is available, use it to lock the computer after installing the computer cover.
- Depending on your computer model, some of the hardware parts in the replacing section might not be available.

Slim-ODD-relevant parts

By reading this section, you will learn to replace optical-drive relevant parts, including optical drive, optical drive latch, and optical drive bezel, bracket, and cage.

Slim ODD

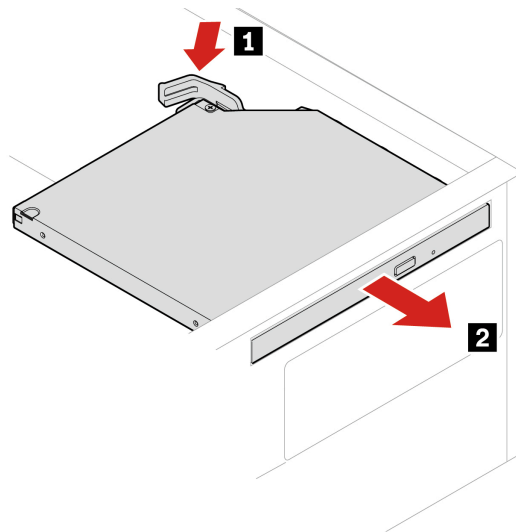
Prerequisite

Before you start, ensure that you have read the relevant sections in Prerequisites for hardware replacement, which includes:

- General prerequisites
- Prerequisites for opening left side cover of the computer
- Prerequisites for replacing storage drives
- Prerequisites for replacing hot-swappable storage drives in the front-access storage enclosure
- Prerequisites for replacing power supply assembly

Removal steps

1. Remove the “Side cover” on page 61.
2. Disconnect the signal and power cable from the slim ODD.
3. Remove the slim ODD.



Slim-ODD latch

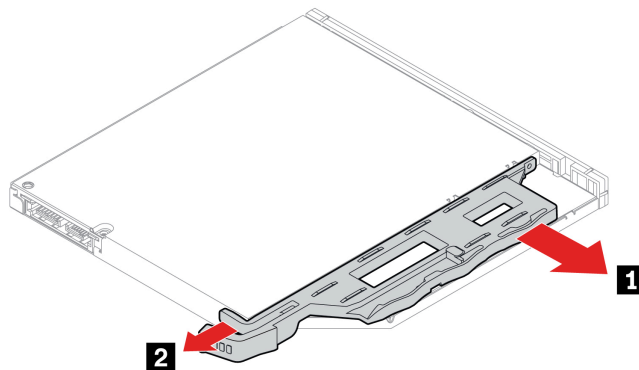
Prerequisite

Before you start, ensure that you have read the relevant sections in Prerequisites for hardware replacement, which includes:

- General prerequisites
- Prerequisites for opening left side cover of the computer
- Prerequisites for replacing storage drives
- Prerequisites for replacing hot-swappable storage drives in the front-access storage enclosure
- Prerequisites for replacing power supply assembly

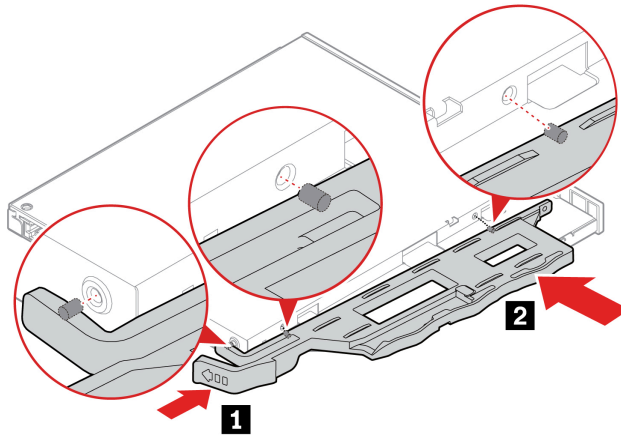
Removal steps

1. Remove the following parts:
 - a. “Side cover” on page 61
 - b. “Slim ODD” on page 62
2. Remove the slim-ODD latch.



Installation steps

There are three holes on the slim ODD to locate the slim-ODD latch. Install the latch to the slim ODD and make sure that it is inserted into these holes.



Slim-ODD bezel

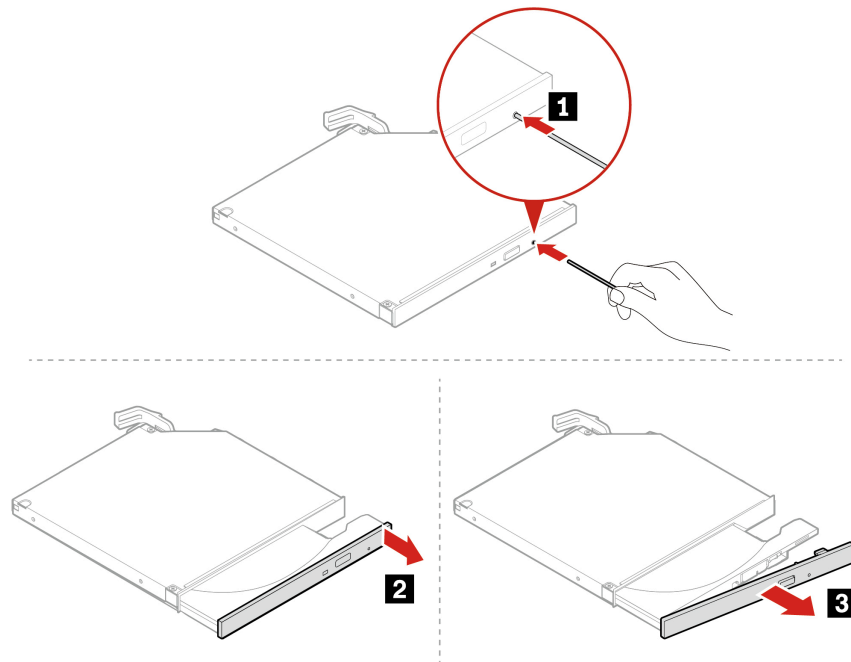
Prerequisite

Before you start, ensure that you have read the relevant sections in Prerequisites for hardware replacement, which includes:

- General prerequisites
- Prerequisites for opening left side cover of the computer
- Prerequisites for replacing storage drives
- Prerequisites for replacing hot-swappable storage drives in the front-access storage enclosure
- Prerequisites for replacing power supply assembly

Removal steps

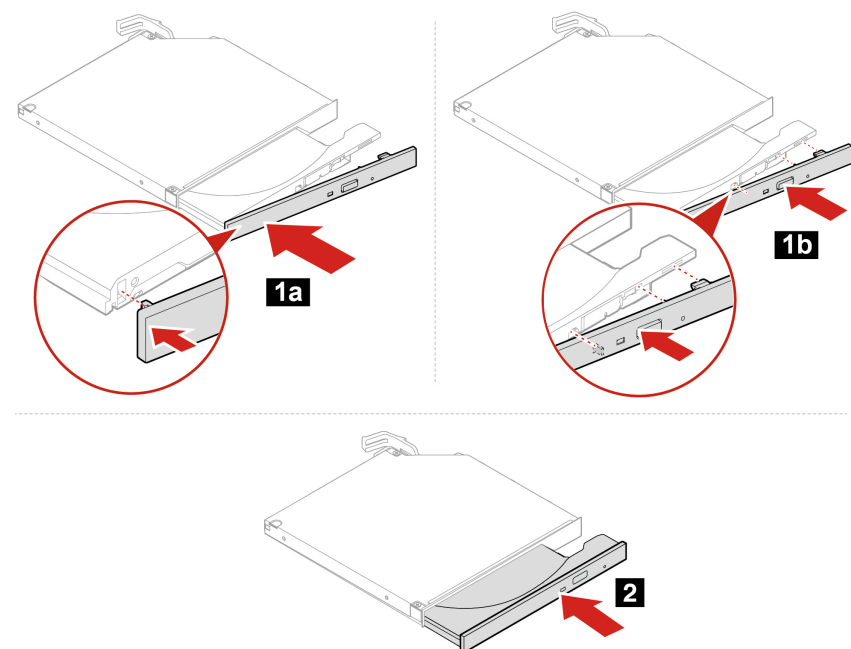
1. Remove the following parts:
 - a. “Side cover” on page 61.
 - b. “Slim ODD” on page 62.
2. Remove the slim-ODD bezel from the slim ODD.



Installation steps

There are four holes on the optical drive tray to locate the optical drive bezel.

1. Install the slim-ODD bezel to the optical drive tray, and make sure that it is inserted into these holes.
2. Install the slim-ODD tray back to the slim ODD.



Slim-ODD cage

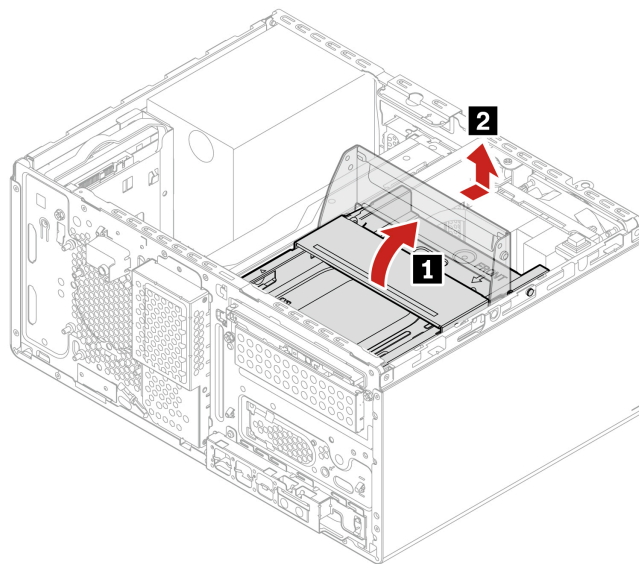
Prerequisite

Before you start, ensure that you have read the relevant sections in Prerequisites for hardware replacement, which includes:

- General prerequisites
- Prerequisites for opening left side cover of the computer
- Prerequisites for replacing storage drives
- Prerequisites for replacing hot-swappable storage drives in the front-access storage enclosure
- Prerequisites for replacing power supply assembly

Removal steps

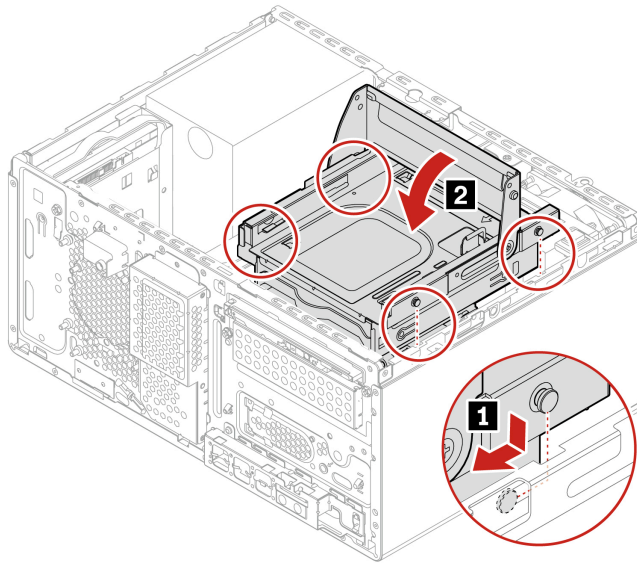
1. Remove the following parts:
 - a. “Side cover” on page 61
 - b. “Slim ODD” on page 62
2. Remove the slim-ODD cage.



Installation steps

There are four mounting holes on the chassis to locate the optical drive cage.

1. Align the optical drive cage with the mounting holes on the chassis.
2. Pivot the handle inward to secure the cage in place.



Front bezel

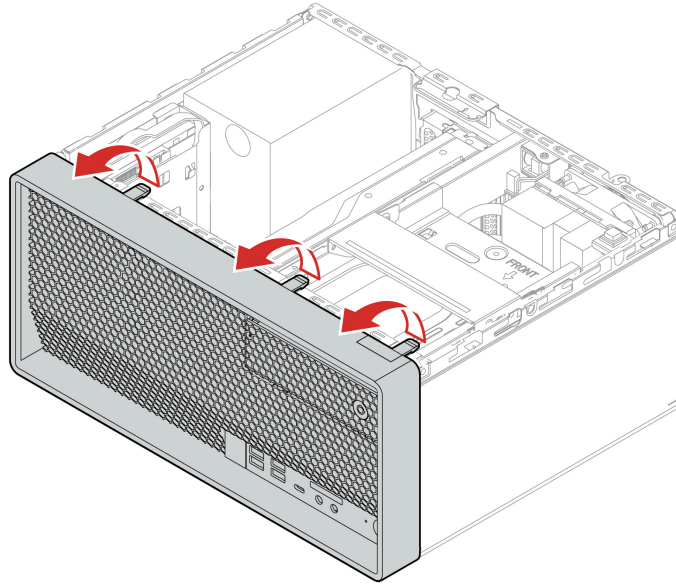
Prerequisite

Before you start, ensure that you have read the relevant sections in Prerequisites for hardware replacement, which includes:

- General prerequisites
- Prerequisites for opening left side cover of the computer
- Prerequisites for replacing storage drives
- Prerequisites for replacing hot-swappable storage drives in the front-access storage enclosure
- Prerequisites for replacing power supply assembly

Removal steps

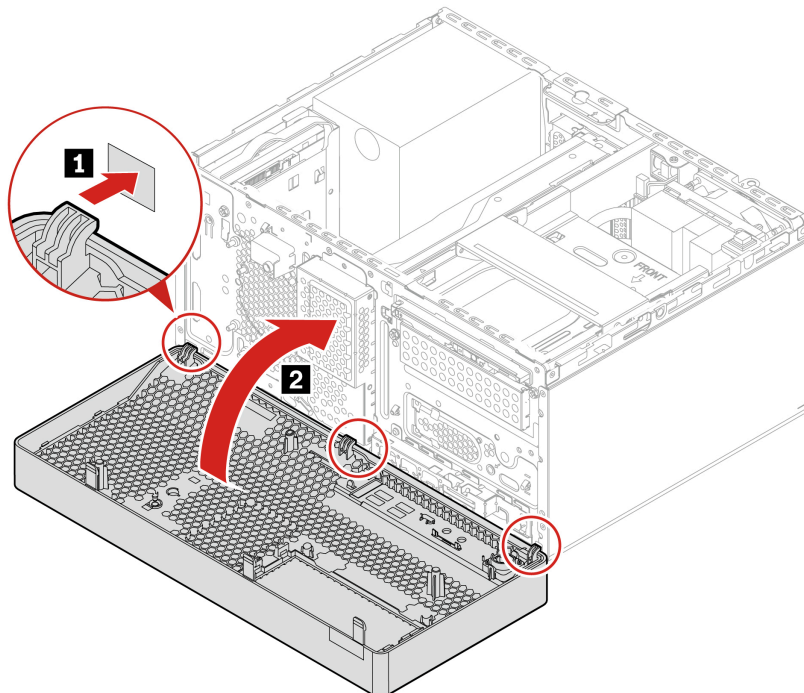
1. Remove the following parts, if any:
 - a. “Side cover” on page 61
 - b. “Slim-ODD-relevant parts” on page 62
 - c. “Storage drive in the front-access storage enclosure or optional storage drive cage” on page 70
 - d. “Front-access storage enclosure or 3.5-inch optional storage drive cage” on page 72
2. Release three elastic hooks from the top of the front bezel.



Installation steps

There are three swivel hooks at the bottom of the front bezel, and there are three hook slots at the bottom of the front panel.

1. Insert the three swivel hooks to each hook slot.
2. Pivot the front bezel inwards to install it to the chassis.



Storage

By reading this section, you will learn to replace storage drives, storage drive cages, and front-access storage enclosure in your computer.

3.5-inch internal storage drive

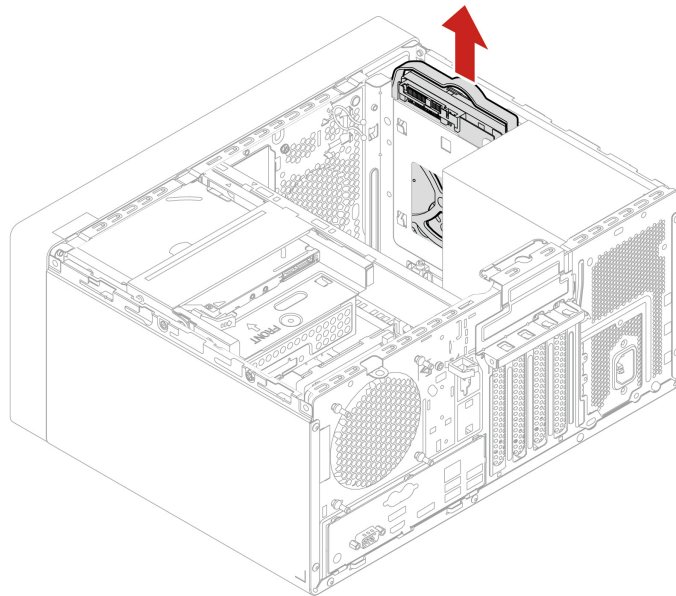
Prerequisite

Before you start, ensure that you have read the relevant sections in Prerequisites for hardware replacement, which includes:

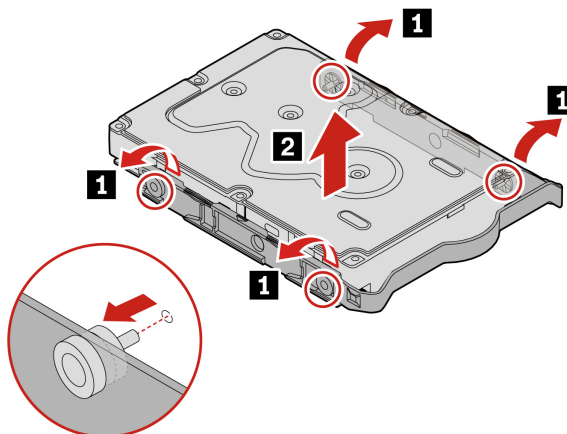
- General prerequisites
- Prerequisites for opening left side cover of the computer
- Prerequisites for replacing storage drives
- Prerequisites for replacing hot-swappable storage drives in the front-access storage enclosure
- Prerequisites for replacing power supply assembly

Removal steps of the 3.5-inch HDD and bracket

1. Remove the “Side cover” on page 61.
2. Disconnect the signal cable and the power cable from the 3.5-inch HDD.
3. Remove the 3.5-inch HDD with bracket from the storage drive cage.



4. Remove the 3.5-inch HDD from the bracket.



3.5-inch internal storage drive cage

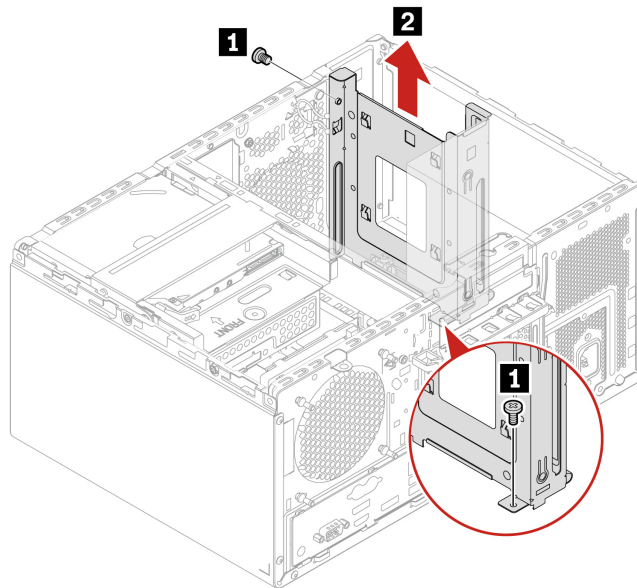
Prerequisite

Before you start, ensure that you have read the relevant sections in Prerequisites for hardware replacement, which includes:

- General prerequisites
- Prerequisites for opening left side cover of the computer
- Prerequisites for replacing storage drives
- Prerequisites for replacing hot-swappable storage drives in the front-access storage enclosure
- Prerequisites for replacing power supply assembly

Removal steps

1. Remove the following parts, if any:
 - a. “Side cover” on page 61
 - b. “Front bezel” on page 67
 - c. “3.5-inch internal storage drive” on page 69
2. Remove the 3.5-inch internal storage drive cage.



Step	Screw (quantity)	Torque
1	#6-32 × 5 mm (0.2 inches), Nickel coated (2)	0.56 ± 0.05 Nm (5.75 ± 0.57 kgf-cm)

Storage drive in the front-access storage enclosure or optional storage drive cage

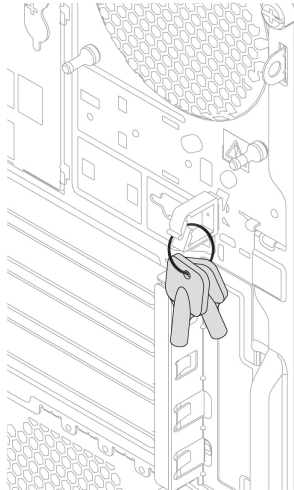
Prerequisite

Before you start, ensure that you have read the relevant sections in Prerequisites for hardware replacement, which includes:

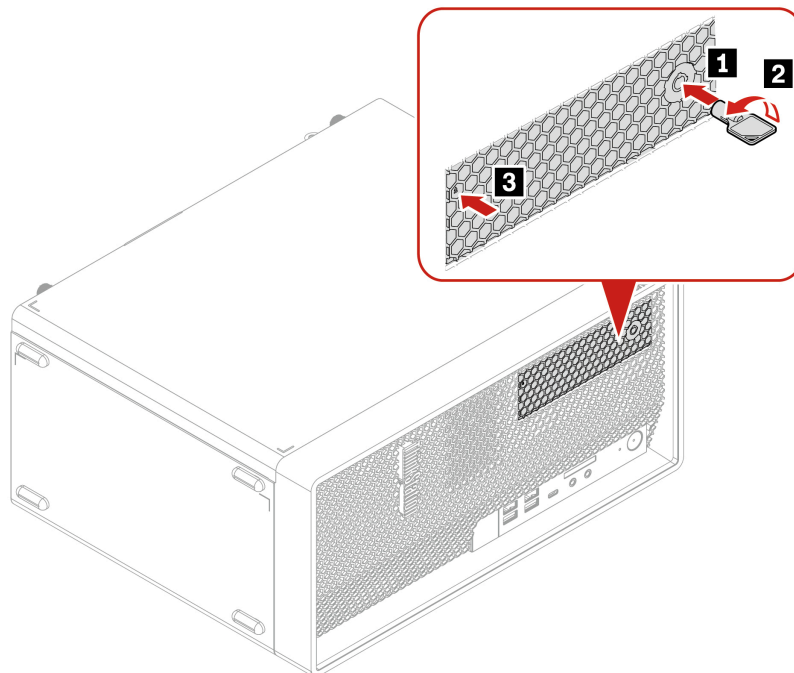
- General prerequisites
- Prerequisites for opening left side cover of the computer
- Prerequisites for replacing storage drives
- Prerequisites for replacing hot-swappable storage drives in the front-access storage enclosure
- Prerequisites for replacing power supply assembly

Removal steps of the 3.5-inch hard disk drive

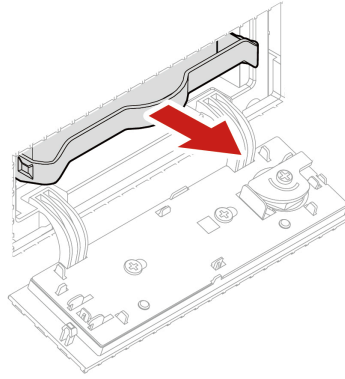
1. Find the key to the front-access storage enclosure attached at the rear panel of the computer.



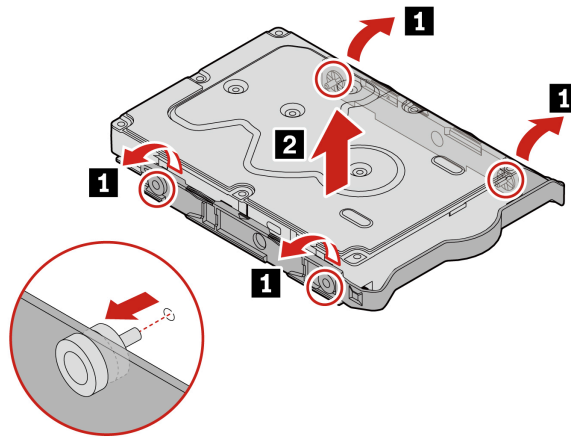
2. Open the front-access storage enclosure bezel.



3. Pull the 3.5-inch HDD with bracket out of the front-access storage enclosure.



4. Remove the 3.5-inch HDD from the bracket.



Front-access storage enclosure or 3.5-inch optional storage drive cage

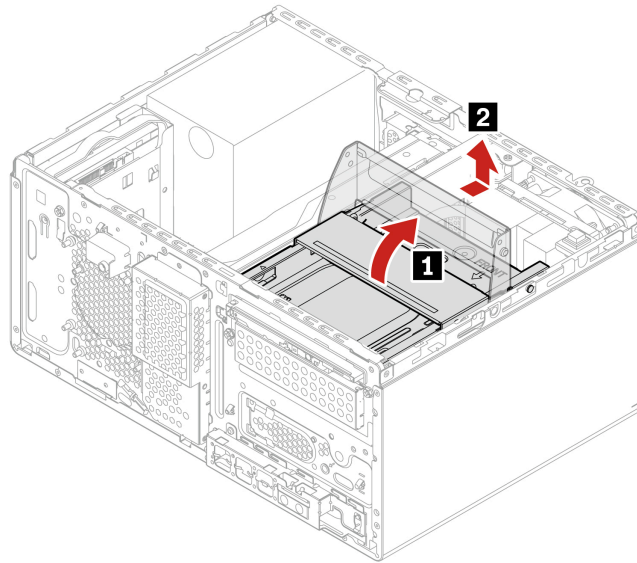
Prerequisite

Before you start, ensure that you have read the relevant sections in Prerequisites for hardware replacement, which includes:

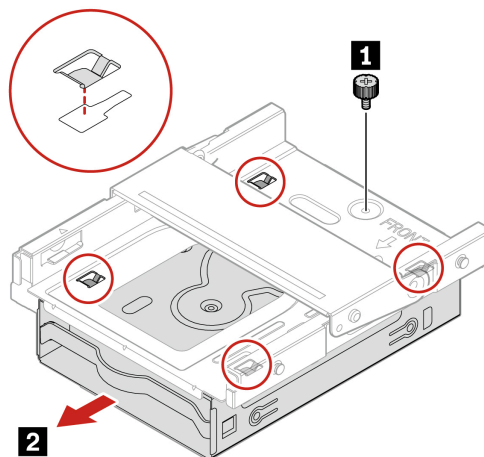
- General prerequisites
- Prerequisites for opening left side cover of the computer
- Prerequisites for replacing storage drives
- Prerequisites for replacing hot-swappable storage drives in the front-access storage enclosure
- Prerequisites for replacing power supply assembly

Removal steps

1. Remove the following parts, if any:
 - a. “Side cover” on page 61
 - b. “Slim ODD” on page 62
 - c. “Storage drive in the front-access storage enclosure or optional storage drive cage” on page 70
 - d. “Front bezel” on page 67
2. The 3.5-inch storage drive cage attaches below the optical drive cage. Pull the handle up to remove both simultaneously.



3. Remove screw **1**, then release the four locking clips securing the optional 3.5-inch storage drive cage from the slim-ODD cage.



Step	Screw (quantity)	Torque
1	#6-32 × 7.5 mm (0.3 inches), Nickel coated (1)	0.56 ± 0.05 Nm (5.75 ± 0.57 kgf-cm)

2.5-inch optional storage drive cage

Prerequisite

Before you start, ensure that you have read the relevant sections in Prerequisites for hardware replacement, which includes:

- General prerequisites
- Prerequisites for opening left side cover of the computer
- Prerequisites for replacing storage drives
- Prerequisites for replacing hot-swappable storage drives in the front-access storage enclosure

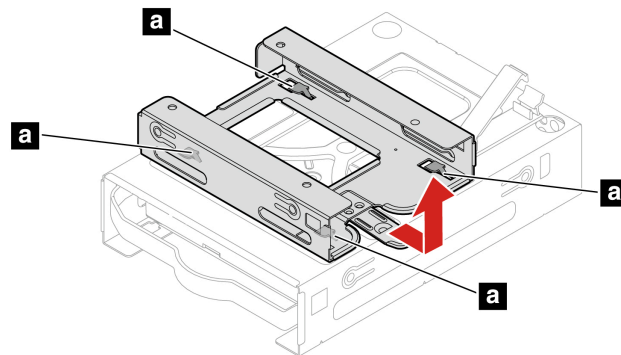
- Prerequisites for replacing power supply assembly

For access, remove these parts in order, if any:

- “Side cover” on page 61
- “Slim ODD” on page 62
- “Front bezel” on page 67
- “Front-access storage enclosure or 3.5-inch optional storage drive cage” on page 72

Removal steps of the 2.5-inch optional storage drive cage

Release the four locking clips **a** securing the 2.5-inch storage drive cage from the 3.5-inch optional storage drive cage.



On-board M.2 SSD and heat sink

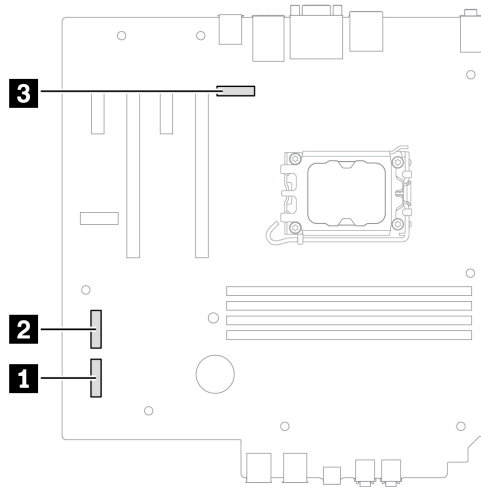
Prerequisite

Before you start, ensure that you have read the relevant sections in Prerequisites for hardware replacement, which includes:

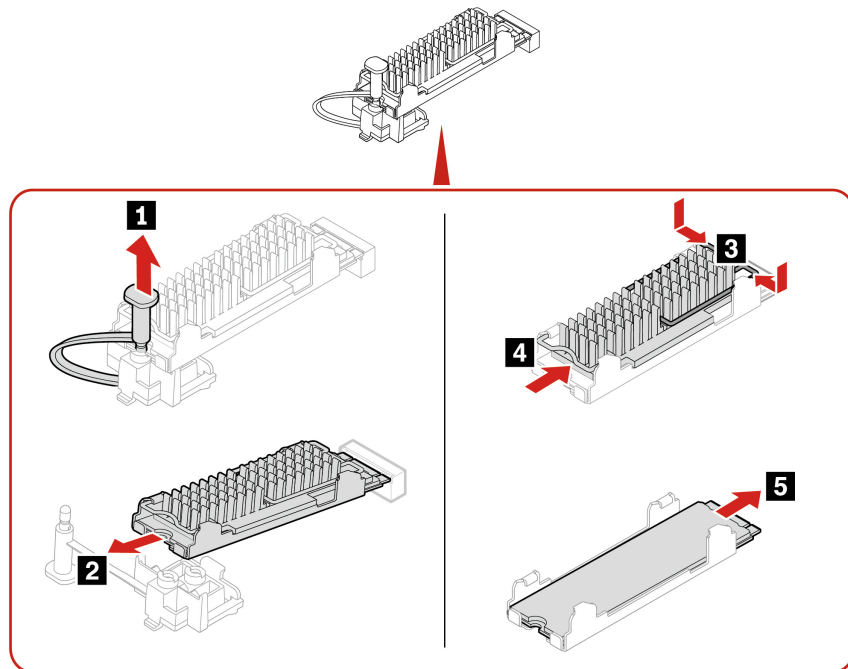
- General prerequisites
- Prerequisites for opening left side cover of the computer
- Prerequisites for replacing storage drives
- Prerequisites for replacing hot-swappable storage drives in the front-access storage enclosure
- Prerequisites for replacing power supply assembly

Removal steps

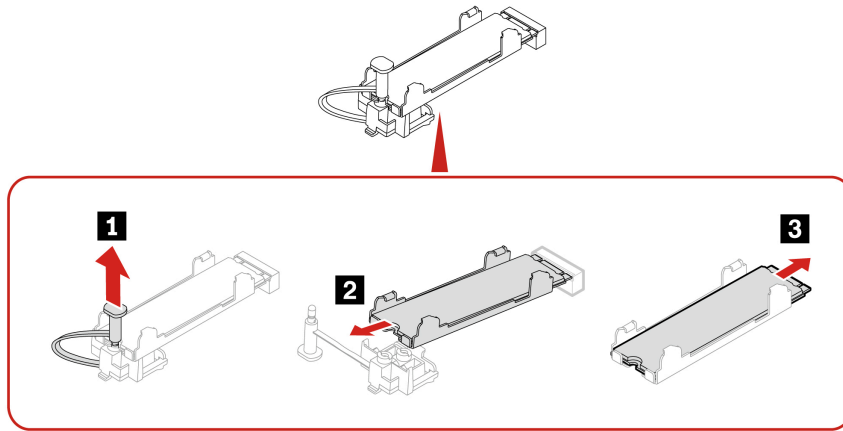
1. Remove the “Side cover” on page 61.
2. Remove the on-board M.2 SSD and the heat sink.



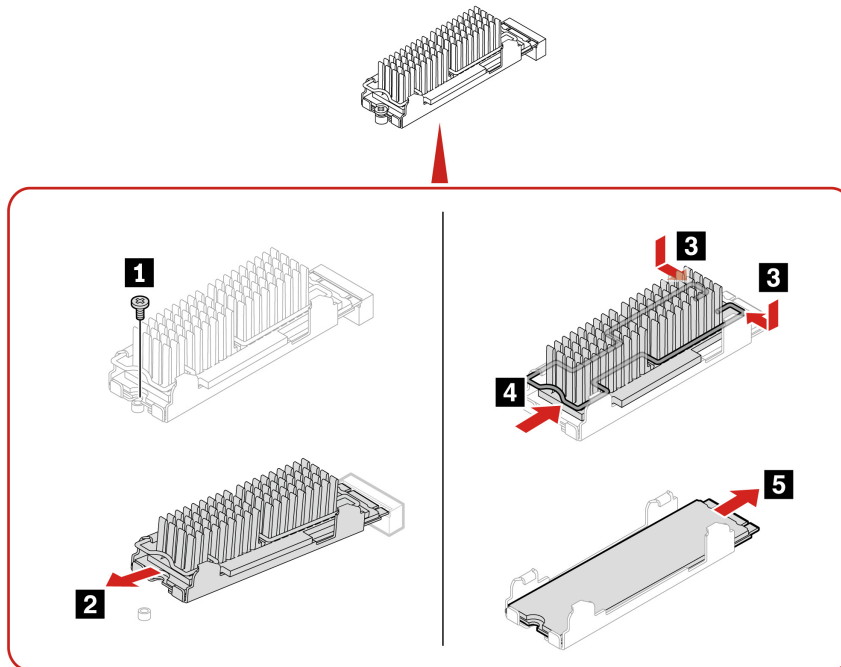
- From the slot **1** or the slot **2**:
 - Type 1



- Type 2



- From the slot **3**:



Installation rule

Install the 2280 Gen 4 M.2 SSD in the correct order shown in the following table:

Quantity of M.2 SSD	Installation slot
One	1 or 3
Two	1 and 2 , or 1 and 3
Three	1 , 2 , and 3

On-board M.2 SSD holder

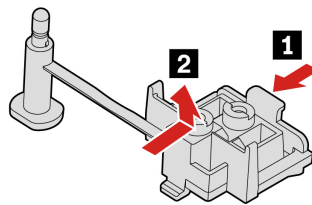
Prerequisite

Before you start, ensure that you have read the relevant sections in Prerequisites for hardware replacement, which includes:

- General prerequisites
- Prerequisites for opening left side cover of the computer
- Prerequisites for replacing storage drives
- Prerequisites for replacing hot-swappable storage drives in the front-access storage enclosure
- Prerequisites for replacing power supply assembly

Removal steps

1. Remove the following parts:
 - a. “Side cover” on page 61
 - b. “On-board M.2 SSD and heat sink” on page 74
2. Remove the M.2 SSD holder.



M.2 SSD and heat sink in an M.2 SSD PCIe adapter card

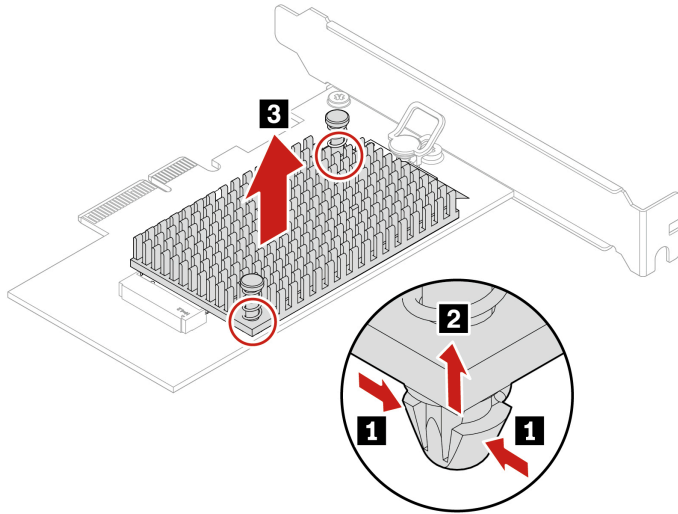
Prerequisite

Before you start, ensure that you have read the relevant sections in Prerequisites for hardware replacement, which includes:

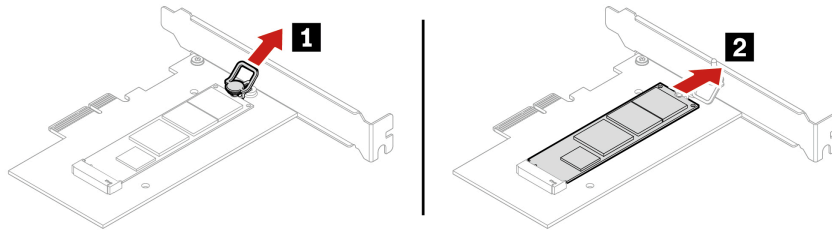
- General prerequisites
- Prerequisites for opening left side cover of the computer
- Prerequisites for replacing storage drives
- Prerequisites for replacing hot-swappable storage drives in the front-access storage enclosure
- Prerequisites for replacing power supply assembly

Replacement steps

1. Remove the “Side cover” on page 61.
2. Locate and remove the M.2 SSD PCIe adapter card from the PCIe slot. See “PCIe cards” on page 80.
3. Replace the heat sink.

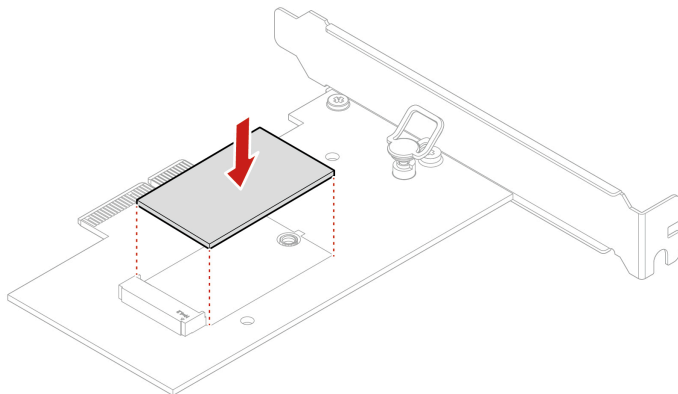


4. Remove the M.2 SSD.

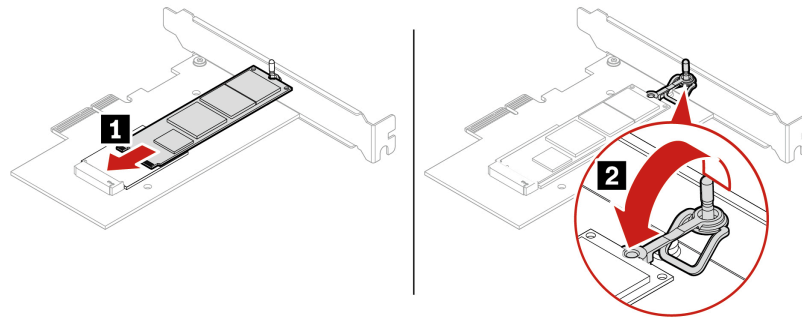


Installation steps

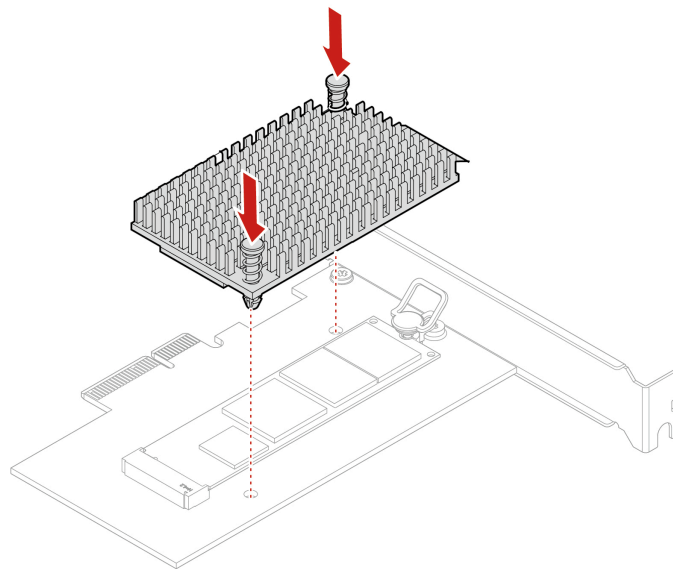
1. Install the thermal pad.



2. Install the M.2 SSD.



3. Install the heat sink.



Side fan with bracket

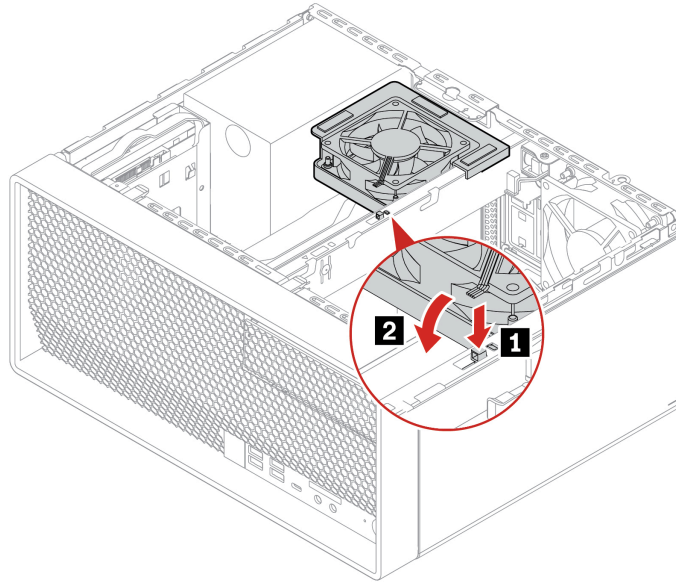
Prerequisite

Before you start, ensure that you have read the relevant sections in Prerequisites for hardware replacement, which includes:

- General prerequisites
- Prerequisites for opening left side cover of the computer
- Prerequisites for replacing storage drives
- Prerequisites for replacing hot-swappable storage drives in the front-access storage enclosure
- Prerequisites for replacing power supply assembly

Removal steps

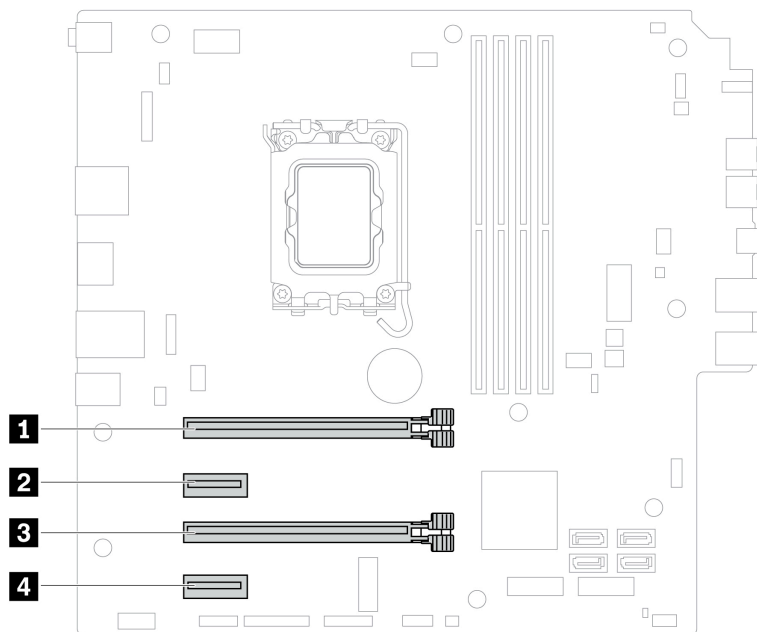
1. Remove the “Side cover” on page 61.
2. Disconnect the side fan cable from the side fan connector on the system board.
3. Remove the side fan with bracket.



PCIe cards

By reading this section, you will learn to replace PCIe cards in your computer, including graphics cards, M.2 SSD PCIe adapter cards and other kinds of PCIe adapter cards.

PCIe card replacement rule



- If there is only one graphics card, install it in the slot **1**.
- When there are two graphics cards,
 - the two graphics cards should be the same.

- install the graphics cards in the slot **1** first and then in the slot **3**.
- remove the graphics cards from the slot **3** first and then from the slot **1**.
- Install the following PCIe cards in the slot **3**, if any:
 - M.2 SSD PCIe adapter card
 - Rear USB-C connector (USB 20 Gbps) PCIe adapter card

PCIe card bracket

Note: Some computer models might not be shipped with PCIe card. In this case, the PCIe card bracket in the following illustration is removable.

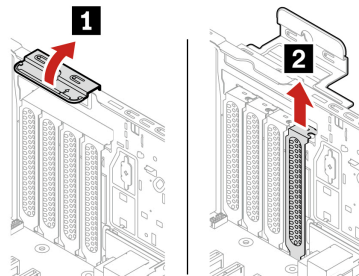
Prerequisite

Before you start, ensure that you have read the relevant sections in Prerequisites for hardware replacement, which includes:

- General prerequisites
- Prerequisites for opening left side cover of the computer
- Prerequisites for replacing storage drives
- Prerequisites for replacing hot-swappable storage drives in the front-access storage enclosure
- Prerequisites for replacing power supply assembly

Removal steps

1. Remove the “Side cover” on page 61.
2. Remove the PCIe card bracket.



PCIe adapter card

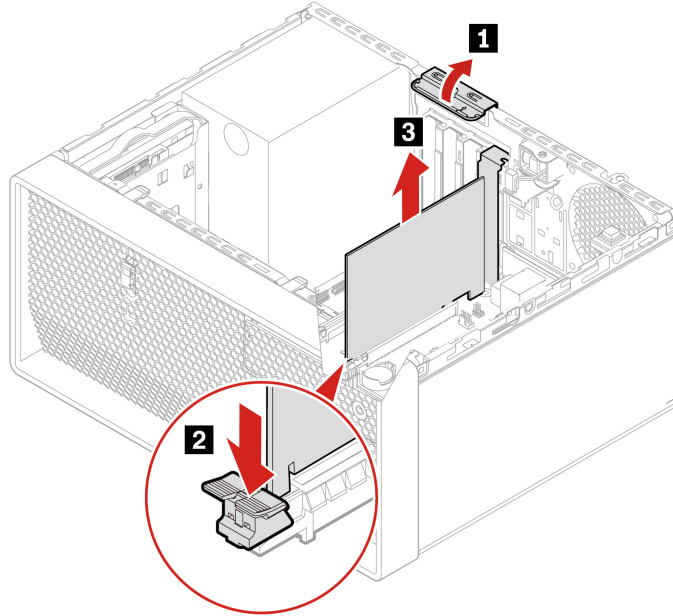
Prerequisite

Before you start, ensure that you have read the relevant sections in Prerequisites for hardware replacement, which includes:

- General prerequisites
- Prerequisites for opening left side cover of the computer
- Prerequisites for replacing storage drives
- Prerequisites for replacing hot-swappable storage drives in the front-access storage enclosure
- Prerequisites for replacing power supply assembly

Removal steps

1. Remove the “Side cover” on page 61.
2. Remove the PCI-Express card



Graphics card holder

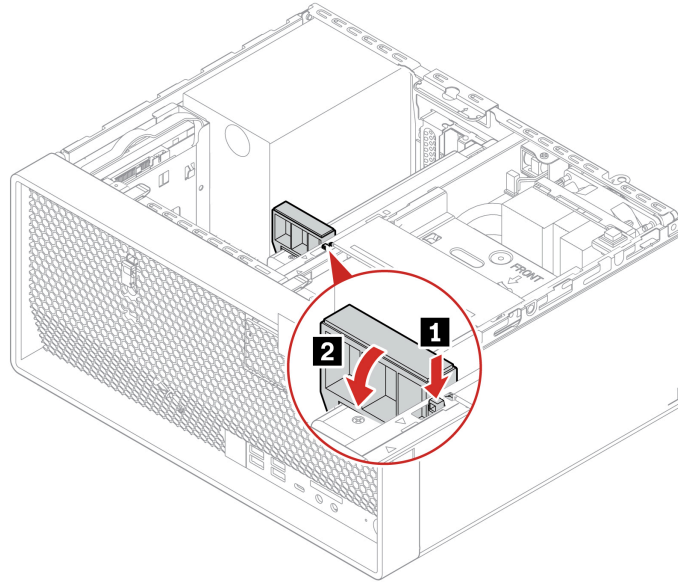
Prerequisite

Before you start, ensure that you have read the relevant sections in Prerequisites for hardware replacement, which includes:

- General prerequisites
- Prerequisites for opening left side cover of the computer
- Prerequisites for replacing storage drives
- Prerequisites for replacing hot-swappable storage drives in the front-access storage enclosure
- Prerequisites for replacing power supply assembly

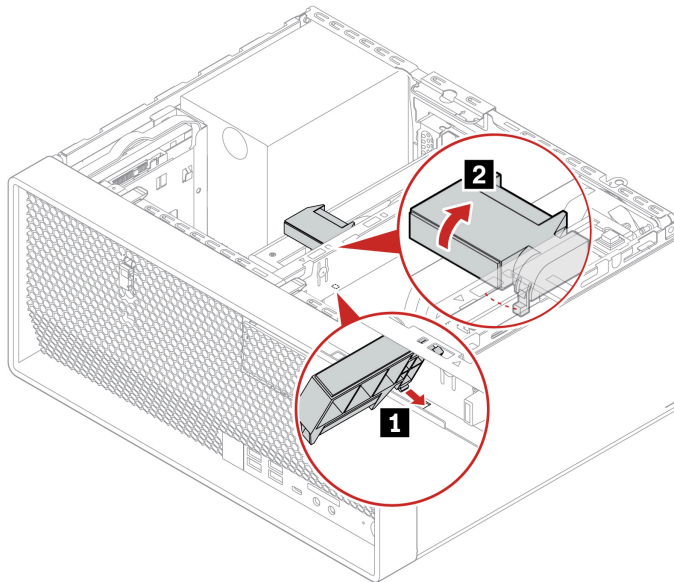
Removal steps

1. Remove the “Side cover” on page 61.
2. Remove the graphics card holder.



Installation steps

Install the graphics card holder.



Graphics card

Prerequisite

Before you start, ensure that you have read the relevant sections in Prerequisites for hardware replacement, which includes:

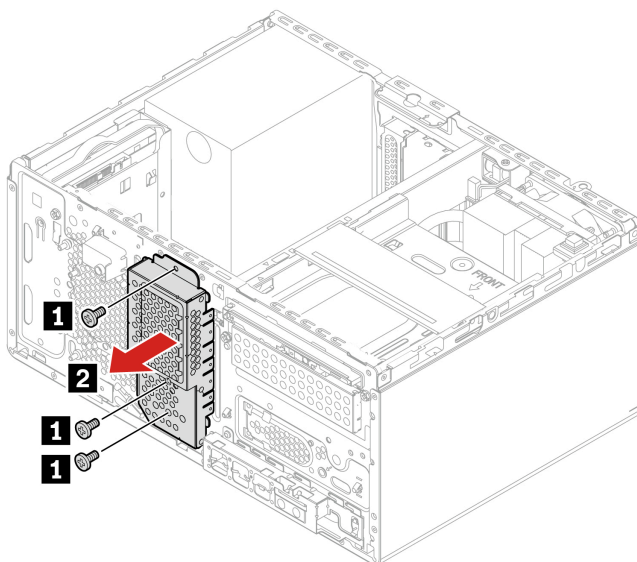
- General prerequisites
- Prerequisites for opening left side cover of the computer

- Prerequisites for replacing storage drives
- Prerequisites for replacing hot-swappable storage drives in the front-access storage enclosure
- Prerequisites for replacing power supply assembly

Removal steps of type-1 graphics card

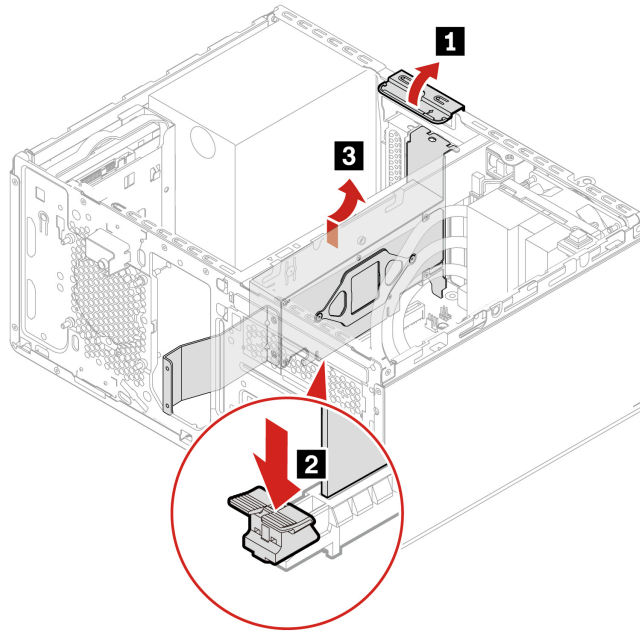
For access, do the following:

1. Remove the following parts, if any:
 - “Side cover” on page 61
 - “Slim ODD” on page 62
 - “Slim-ODD cage” on page 66
 - “Front bezel” on page 67
 - “Graphics card holder” on page 82
2. Disconnect the power cable (if any) from the graphics card.
3. Remove the bracket.

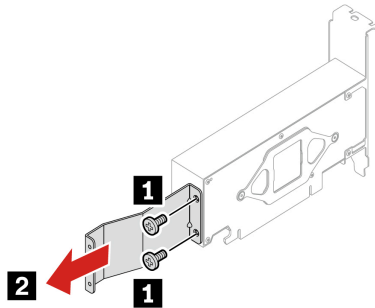


Step	Screw (quantity)	Torque
1	#6-32 × 5 mm (0.2 inches), Nickel coated (1)	0.56 ± 0.05 Nm (5.75 ± 0.57 kgf-cm)
1	M3 × 8 mm (0.3 inches), Zn coated (2)	0.56 ± 0.05 Nm (5.75 ± 0.57 kgf-cm)

4. Remove the graphics card with the extender.



5. Remove the graphics card from the extender.

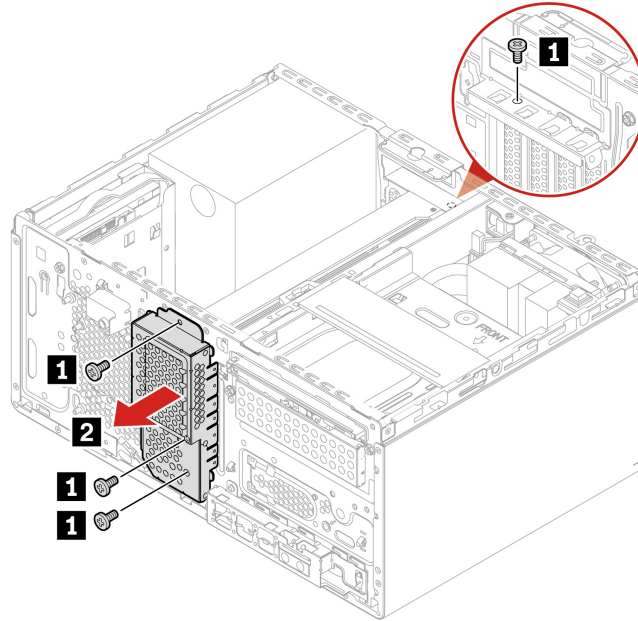


Step	Screw (quantity)	Torque
1	M3 × 8 mm (0.3 inches), Zn coated (2)	0.56 ± 0.05 Nm (5.75 ± 0.57 kgf-cm)

Removal steps of type-2 graphics card

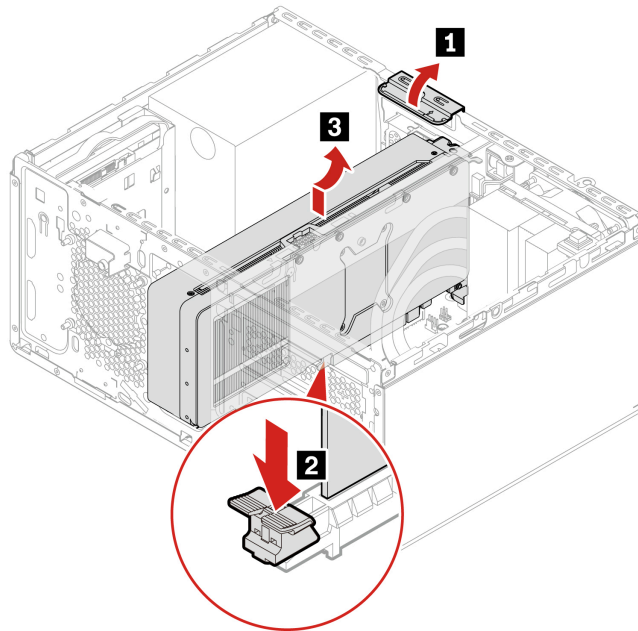
For access, do the following:

1. Remove the following parts, if any:
 - “Side cover” on page 61
 - “Slim ODD” on page 62
 - “Slim-ODD cage” on page 66
 - “Front bezel” on page 67
 - “Side fan with bracket” on page 79
2. Disconnect the power cable (if any) from the graphics card.
3. Remove the screws and bracket.



Step	Screw (quantity)	Torque
1	#6-32 × 5 mm (0.2 inches), Nickel coated (1)	0.56 ± 0.05 Nm (5.75 ± 0.57 kgf-cm)
1	M3 × 8 mm (0.3 inches), Zn coated, white (1)	0.56 ± 0.05 Nm (5.75 ± 0.57 kgf-cm)
1	M3 × 8 mm (0.3 inches), Zn coated, black (2)	0.56 ± 0.05 Nm (5.75 ± 0.57 kgf-cm)

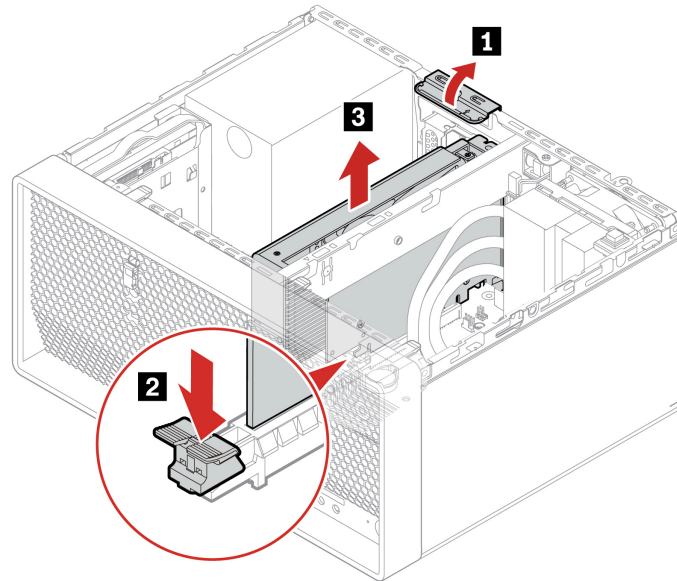
4. Remove the graphics card.



Removal steps of Removal steps of type-3 graphics card

For access, do the following:

1. Remove these parts in order, if any:
 - “Side cover” on page 61
 - “Graphics card holder” on page 82
2. Disconnect the power cable (if any) from the graphics card.
3. Remove the graphics card.



ODD EMI shielding

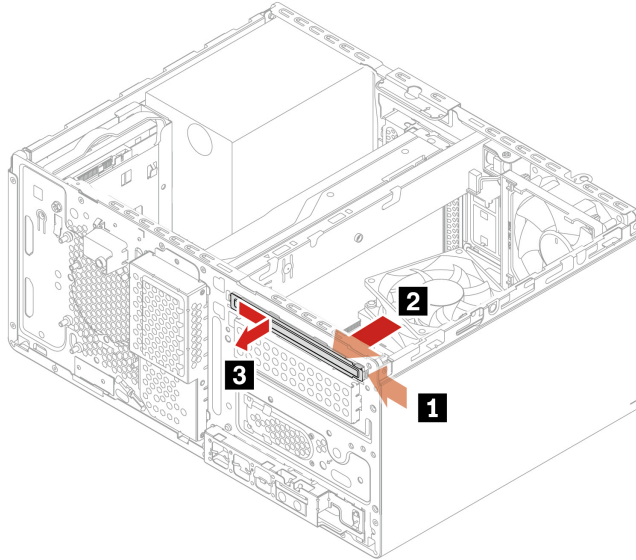
Prerequisite

Before you start, ensure that you have read the relevant sections in Prerequisites for hardware replacement, which includes:

- General prerequisites
- Prerequisites for opening left side cover of the computer
- Prerequisites for replacing storage drives
- Prerequisites for replacing hot-swappable storage drives in the front-access storage enclosure
- Prerequisites for replacing power supply assembly

Removal steps

1. Remove the following parts, if any:
 - a. “Side cover” on page 61
 - b. “Slim ODD” on page 62
 - c. “Storage drive in the front-access storage enclosure or optional storage drive cage” on page 70
 - d. “Front bezel” on page 67
2. Remove the ODD EMI shielding.



HDD EMI shielding

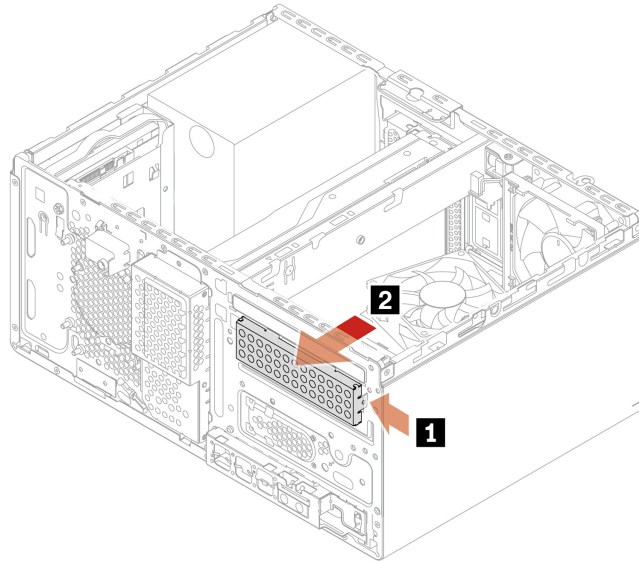
Prerequisite

Before you start, ensure that you have read the relevant sections in Prerequisites for hardware replacement, which includes:

- General prerequisites
- Prerequisites for opening left side cover of the computer
- Prerequisites for replacing storage drives
- Prerequisites for replacing hot-swappable storage drives in the front-access storage enclosure
- Prerequisites for replacing power supply assembly

Removal steps

1. Remove the following parts, if any:
 - a. “Side cover” on page 61
 - b. “Slim ODD” on page 62
 - c. “Storage drive in the front-access storage enclosure or optional storage drive cage” on page 70
 - d. “Front bezel” on page 67
2. Remove the HDD EMI shielding.



Front fan

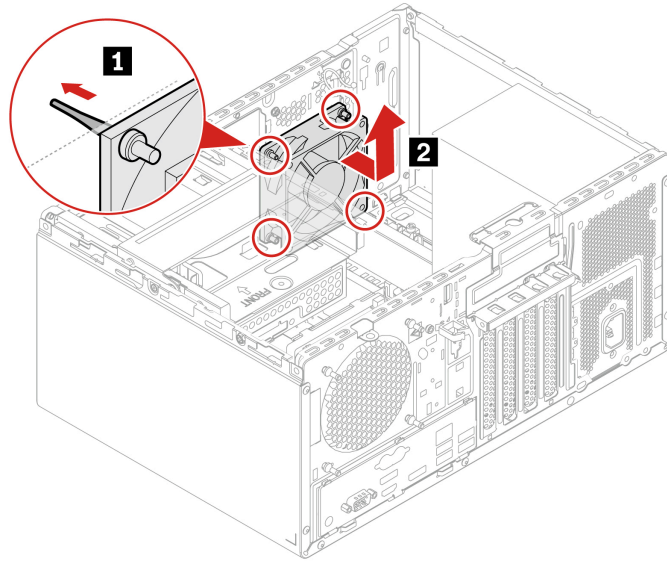
Prerequisite

Before you start, ensure that you have read the relevant sections in Prerequisites for hardware replacement, which includes:

- General prerequisites
- Prerequisites for opening left side cover of the computer
- Prerequisites for replacing storage drives
- Prerequisites for replacing hot-swappable storage drives in the front-access storage enclosure
- Prerequisites for replacing power supply assembly

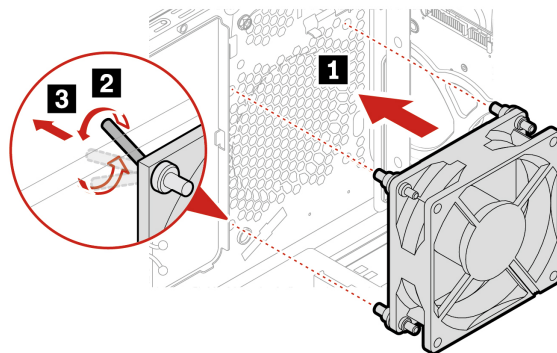
Removal steps

1. Remove the following parts:
 - a. “Side cover” on page 61
 - b. “Front bezel” on page 67
2. Disconnect the front fan cable from the front fan connector on the system board.
3. The front fan is attached to the chassis by four rubber mounts. Stretch the tips of the rubber mounts and gently pull the front fan assembly out of the chassis.



Installation steps

Align the rubber mounts with the corresponding holes in the chassis and push the rubber mounts through the holes. Rotate and pull the tips of the rubber mounts until the front fan assembly is secured.



E-lock

Prerequisite

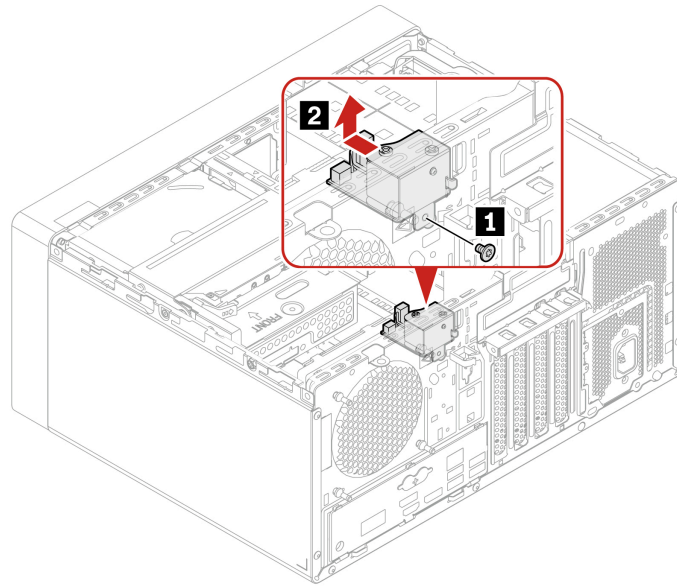
Before you start, ensure that you have read the relevant sections in Prerequisites for hardware replacement, which includes:

- General prerequisites
- Prerequisites for opening left side cover of the computer
- Prerequisites for replacing storage drives
- Prerequisites for replacing hot-swappable storage drives in the front-access storage enclosure
- Prerequisites for replacing power supply assembly

Removal steps

1. Remove the “Side cover” on page 61.
2. Remove the E-lock.

Note: To remove the screws, you need a special tool (T15 star wrench).



Step	Screw (quantity)	Torque
1	M3 × 5 mm (0.2 inches), Nickel coated (1)	0.56 ± 0.05 Nm (5.75 ± 0.57 kgf-cm)

Internal speaker

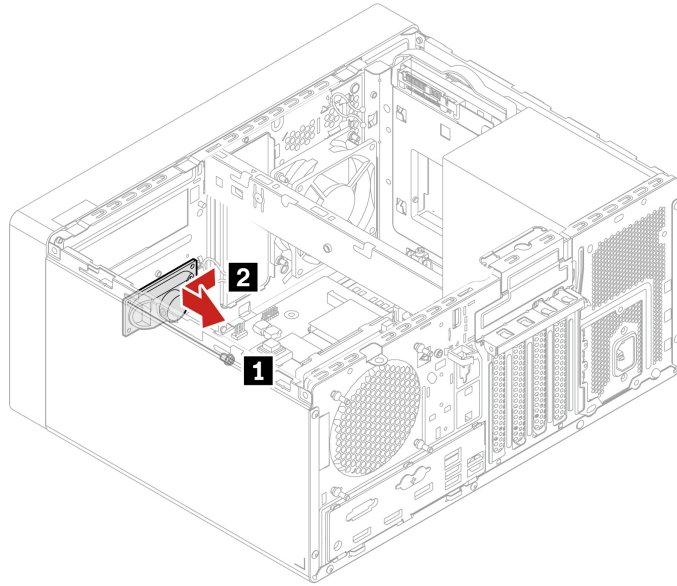
Prerequisite

Before you start, ensure that you have read the relevant sections in Prerequisites for hardware replacement, which includes:

- General prerequisites
- Prerequisites for opening left side cover of the computer
- Prerequisites for replacing storage drives
- Prerequisites for replacing hot-swappable storage drives in the front-access storage enclosure
- Prerequisites for replacing power supply assembly

Removal steps

1. Remove the “Side cover” on page 61.
2. Remove the internal speaker.



Step	Screw (quantity)	Torque
1	#6-32 × 5 mm (0.2 inches), Nickel coated (1)	0.56 ± 0.05 Nm (5.75 ± 0.57 kgf-cm)

Rear fan

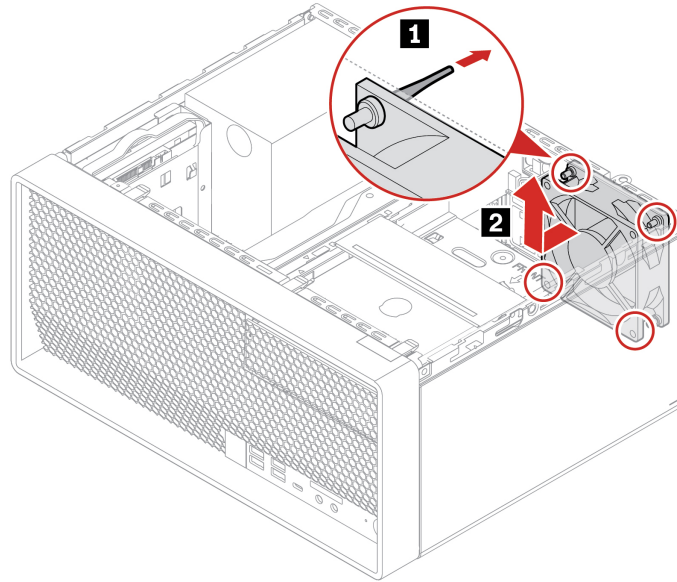
Prerequisite

Before you start, ensure that you have read the relevant sections in Prerequisites for hardware replacement, which includes:

- General prerequisites
- Prerequisites for opening left side cover of the computer
- Prerequisites for replacing storage drives
- Prerequisites for replacing hot-swappable storage drives in the front-access storage enclosure
- Prerequisites for replacing power supply assembly

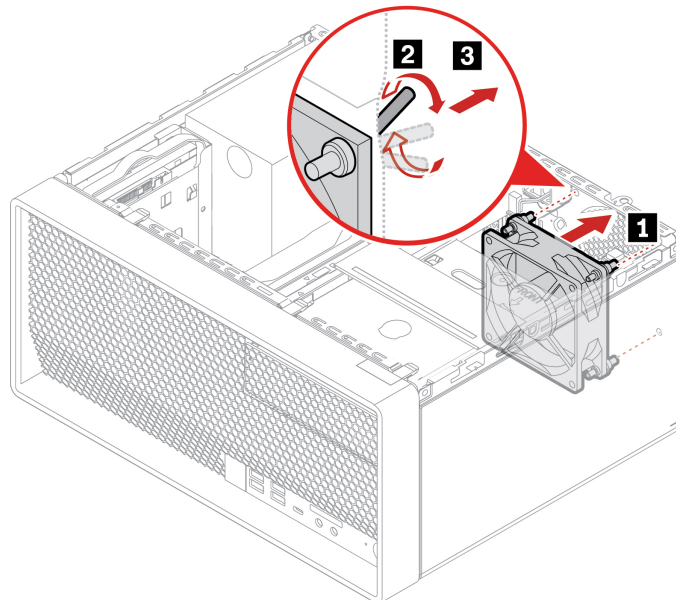
Removal steps

1. Remove the “Side cover” on page 61.
2. Disconnect the rear fan cable from the rear fan connector on the system board.
3. The rear fan is attached to the chassis by four rubber mounts. Stretch the tips of the rubber mounts and gently pull the rear fan assembly out of the chassis.



Installation steps

Align the rubber mounts with the corresponding holes in the chassis and push the rubber mounts through the holes. Rotate and pull the tips of the rubber mounts until the rear fan assembly is secured.



Smart cable clip

Prerequisite

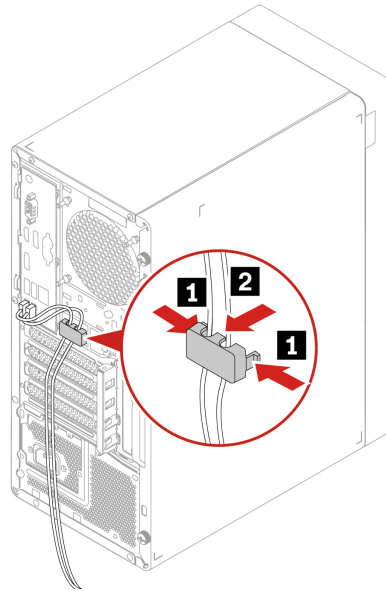
Before you start, ensure that you have read the relevant sections in Prerequisites for hardware replacement, which includes:

- General prerequisites

- Prerequisites for opening left side cover of the computer
- Prerequisites for replacing storage drives
- Prerequisites for replacing hot-swappable storage drives in the front-access storage enclosure
- Prerequisites for replacing power supply assembly

Removal steps

Remove the smart cable clip.



Rear Wi-Fi antenna cover

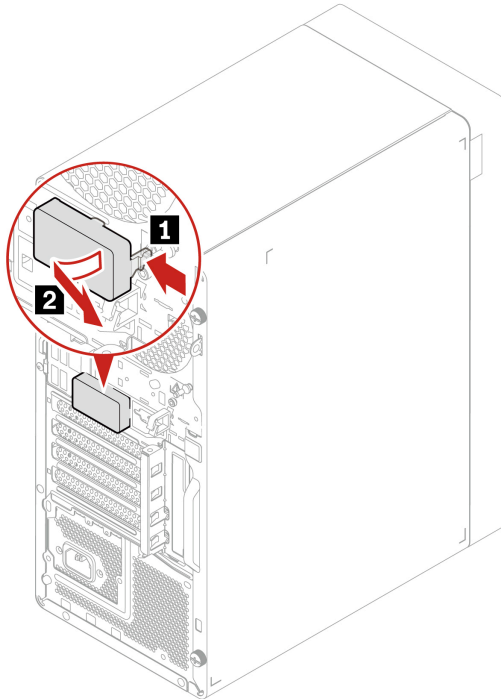
Prerequisite

Before you start, ensure that you have read the relevant sections in Prerequisites for hardware replacement, which includes:

- General prerequisites
- Prerequisites for opening left side cover of the computer
- Prerequisites for replacing storage drives
- Prerequisites for replacing hot-swappable storage drives in the front-access storage enclosure
- Prerequisites for replacing power supply assembly

Removal steps

Remove the Wi-Fi antenna cover.



Chassis beam

Prerequisite

Before you start, ensure that you have read the relevant sections in Prerequisites for hardware replacement, which includes:

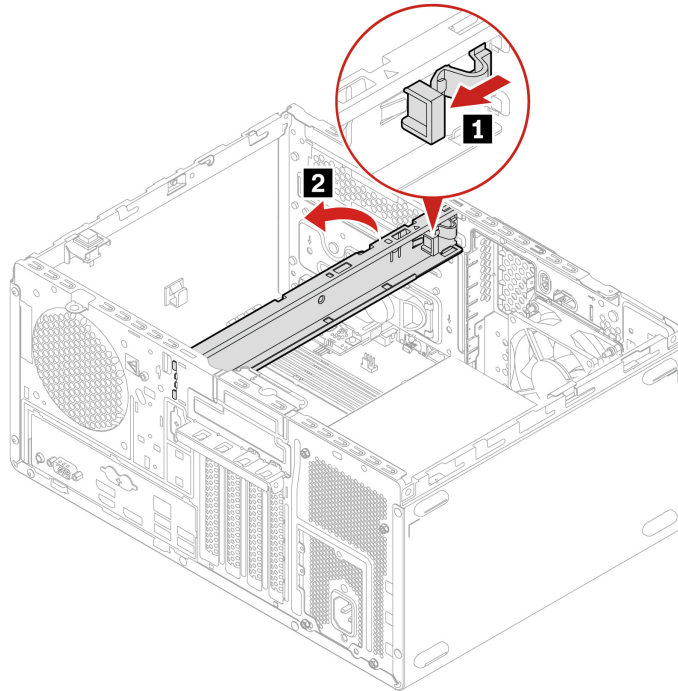
- General prerequisites
- Prerequisites for opening left side cover of the computer
- Prerequisites for replacing storage drives
- Prerequisites for replacing hot-swappable storage drives in the front-access storage enclosure
- Prerequisites for replacing power supply assembly

For access, remove the following parts, if any:

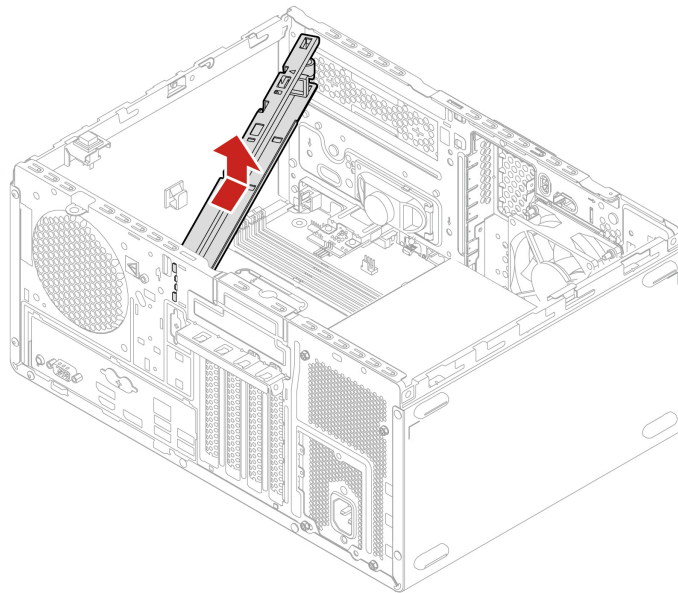
- “Side cover” on page 61
- “Slim ODD” on page 62
- “Slim-ODD cage” on page 66
- “Front bezel” on page 67
- “Side fan with bracket” on page 79
- “Graphics card holder” on page 82
- “Graphics card” on page 83

Removal steps

1. Gently press the chassis beam latch.



2. Remove the chassis beam.



Memory module

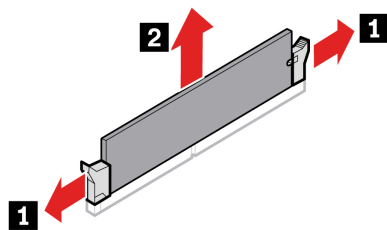
Prerequisite

Before you start, ensure that you have read the relevant sections in Prerequisites for hardware replacement, which includes:

- General prerequisites
- Prerequisites for opening left side cover of the computer
- Prerequisites for replacing storage drives
- Prerequisites for replacing hot-swappable storage drives in the front-access storage enclosure
- Prerequisites for replacing power supply assembly

Removal steps

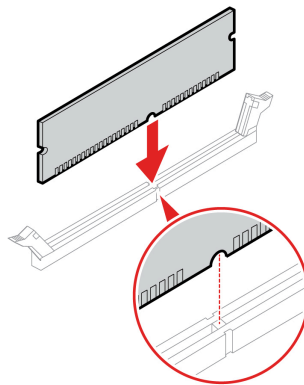
1. Remove the following parts, if any:
 - a. “Side cover” on page 61.
 - b. “Slim-ODD cage” on page 66.
2. Remove the memory module.



Installation steps and rules

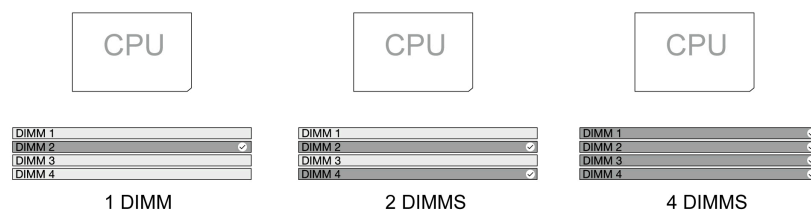
- **Installation steps**

Align the memory module to the slot and press down on both ends until the latches are fully engaged with a click.



- **Installation rules**

- Install memory modules in the correct order shown in the following illustration.



- Install memory modules of the same type, the same capacity, and the same DRAM densities. For example, ECC UDIMMs and non-ECC UDIMMs can't be used together.
- The four memory slots support 2DPC (two DIMMs per channel). DIMM1 and DIMM2 is one channel. DIMM3 and DIMM4 is another channel. Symmetric configurations are required within one channel. Ensure that the two DIMMs installed in one channel are from the same manufacturer.

Cover presence switch cable and bracket

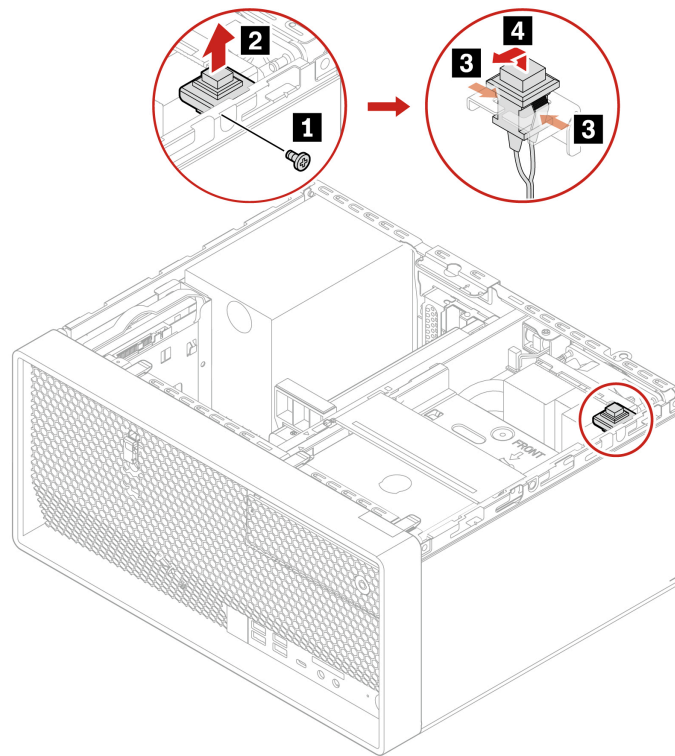
Prerequisite

Before you start, ensure that you have read the relevant sections in Prerequisites for hardware replacement, which includes:

- General prerequisites
- Prerequisites for opening left side cover of the computer
- Prerequisites for replacing storage drives
- Prerequisites for replacing hot-swappable storage drives in the front-access storage enclosure
- Prerequisites for replacing power supply assembly

Removal steps

1. Remove the “Side cover” on page 61.
2. Disconnect the cover presence switch cable from the system board.
3. Remove the cover presence switch.



Step	Screw (quantity)	Torque
1	#6-32 × 5 mm (0.2 inches), Nickel coated (1)	0.56 ± 0.05 Nm (5.75 ± 0.57 kgf-cm)

Power supply assembly

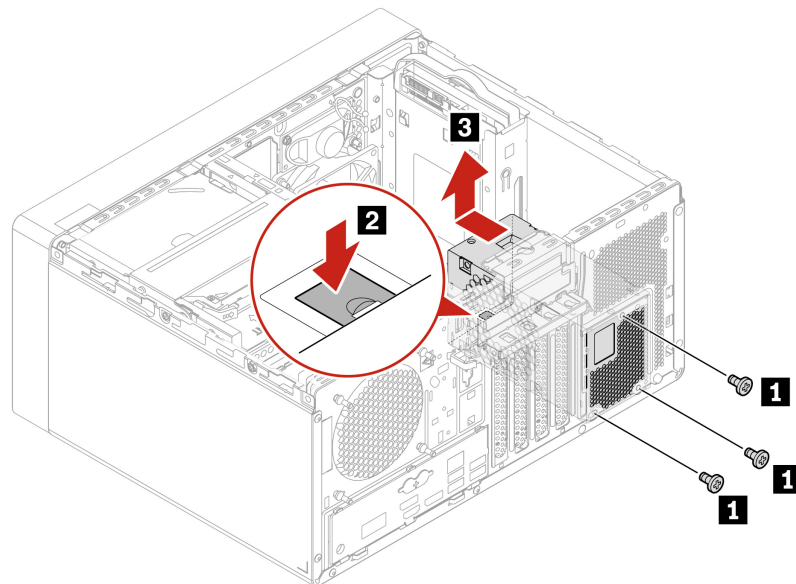
Prerequisite

Before you start, ensure that you have read the relevant sections in Prerequisites for hardware replacement, which includes:

- General prerequisites
- Prerequisites for opening left side cover of the computer
- Prerequisites for replacing storage drives
- Prerequisites for replacing hot-swappable storage drives in the front-access storage enclosure
- Prerequisites for replacing power supply assembly

Removal steps of the 500-watt power supply assembly

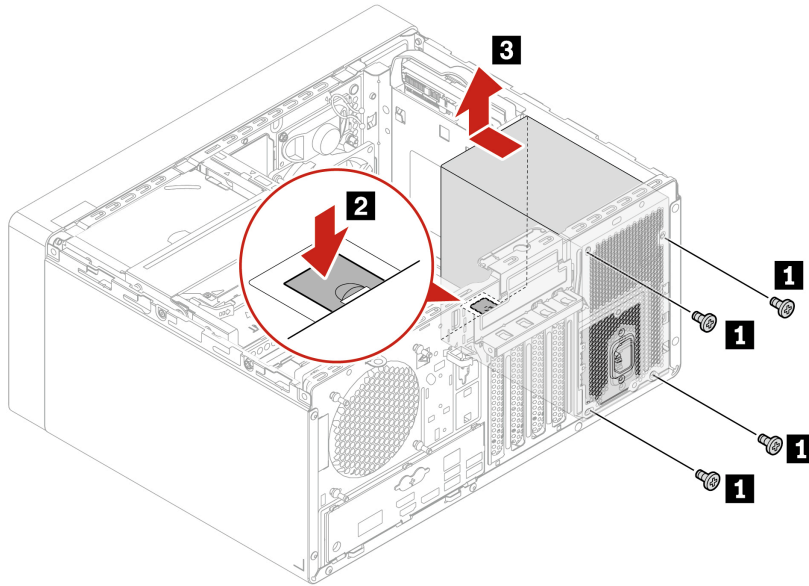
1. Remove the following parts, if any:
 - “Side cover” on page 61
 - “Side fan with bracket” on page 79
 - “3.5-inch internal storage drive” on page 69
 - “3.5-inch internal storage drive cage” on page 70
2. Disconnect the power supply assembly cables from the system board.
3. Remove the power supply assembly.



Step	Screw (quantity)	Torque
1	#6-32 × 5 mm, Nickel coated (3)	0.56 ± 0.05 Nm (5.75 ± 0.57 kgf-cm)

Removal steps the 750-watt power supply assembly

1. Remove the following parts, if any:
 - “Side cover” on page 61
 - “Side fan with bracket” on page 79
 - “3.5-inch internal storage drive” on page 69
 - “3.5-inch internal storage drive cage” on page 70
2. Disconnect the power supply assembly cables from the system board.
3. Remove the power supply assembly.



Step	Screw (quantity)	Torque
1	#6-32 × 5 mm, Nickel coated (4)	0.56 ± 0.05 Nm (5.75 ± 0.57 kgf-cm)

Wi-Fi card

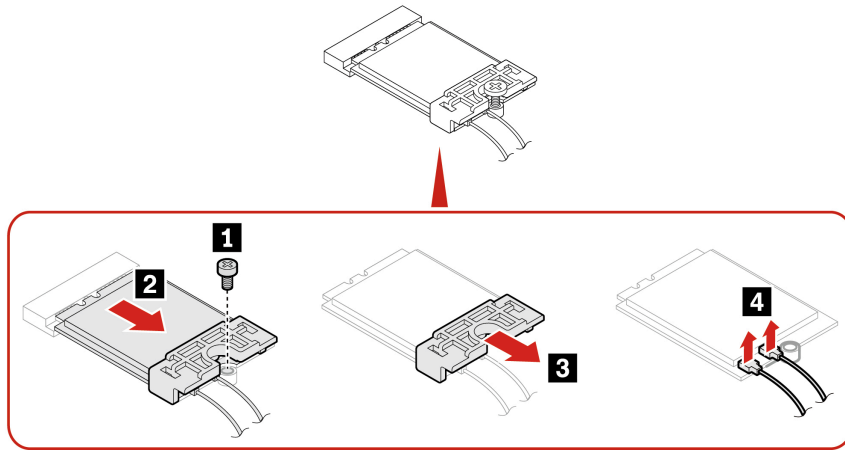
Prerequisite

Before you start, ensure that you have read the relevant sections in Prerequisites for hardware replacement, which includes:

- General prerequisites
- Prerequisites for opening left side cover of the computer
- Prerequisites for replacing storage drives
- Prerequisites for replacing hot-swappable storage drives in the front-access storage enclosure
- Prerequisites for replacing power supply assembly

Removal steps

1. Remove the “Side cover” on page 61.
2. Remove the Wi-Fi card.



Step	Screw (quantity)	Torque
1	M2 x 3 mm (0.1 inches), Zn coated (1)	0.16 ± 0.02 Nm (1.72 ± 0.23 kgf-cm)

Installation notice

During installation, ensure that you connect the gray cable to the connector labeled AUX on the card, and the black cable to the connector labeled MAIN.

Front Wi-Fi antenna

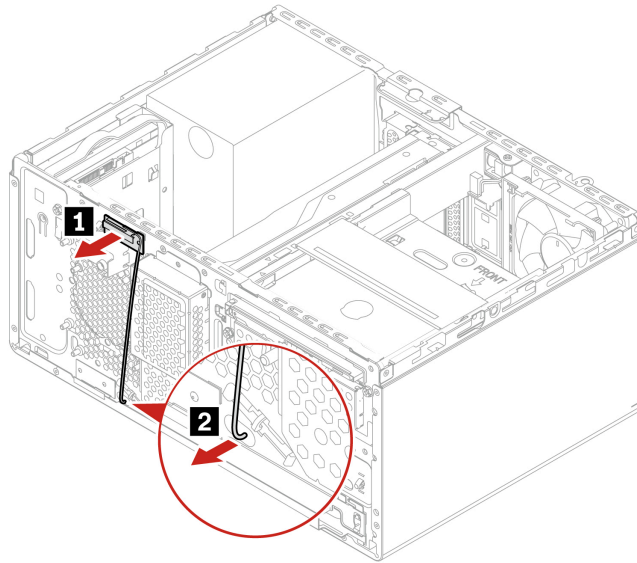
Prerequisite

Before you start, ensure that you have read the relevant sections in Prerequisites for hardware replacement, which includes:

- General prerequisites
- Prerequisites for opening left side cover of the computer
- Prerequisites for replacing storage drives
- Prerequisites for replacing hot-swappable storage drives in the front-access storage enclosure
- Prerequisites for replacing power supply assembly

Removal steps

1. Remove the following parts, if any:
 - a. “Side cover” on page 61
 - b. “Slim-ODD-relevant parts” on page 62
 - c. “Storage drive in the front-access storage enclosure or optional storage drive cage” on page 70
 - d. “Front-access storage enclosure or 3.5-inch optional storage drive cage” on page 72
 - e. “Side fan with bracket” on page 79
 - f. “Front bezel” on page 67
 - g. “Front fan” on page 89
 - h. “Wi-Fi card” on page 100
2. Remove the front Wi-Fi antenna.



Rear Wi-Fi antenna

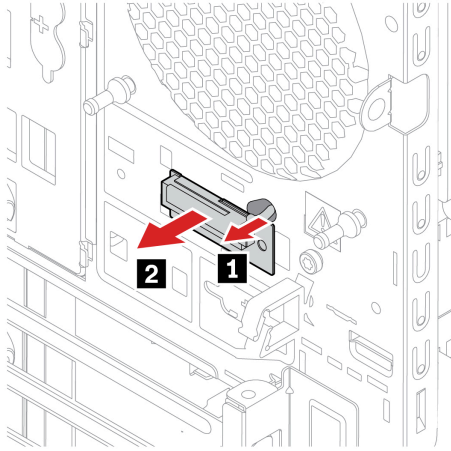
Prerequisite

Before you start, ensure that you have read the relevant sections in Prerequisites for hardware replacement, which includes:

- General prerequisites
- Prerequisites for opening left side cover of the computer
- Prerequisites for replacing storage drives
- Prerequisites for replacing hot-swappable storage drives in the front-access storage enclosure
- Prerequisites for replacing power supply assembly

Removal steps

1. Remove the following parts, if any:
 - a. “Side cover” on page 61
 - b. “Rear Wi-Fi antenna cover” on page 94
 - c. “Wi-Fi card” on page 100
2. Remove the rear Wi-Fi antenna.



ThinkStation LED

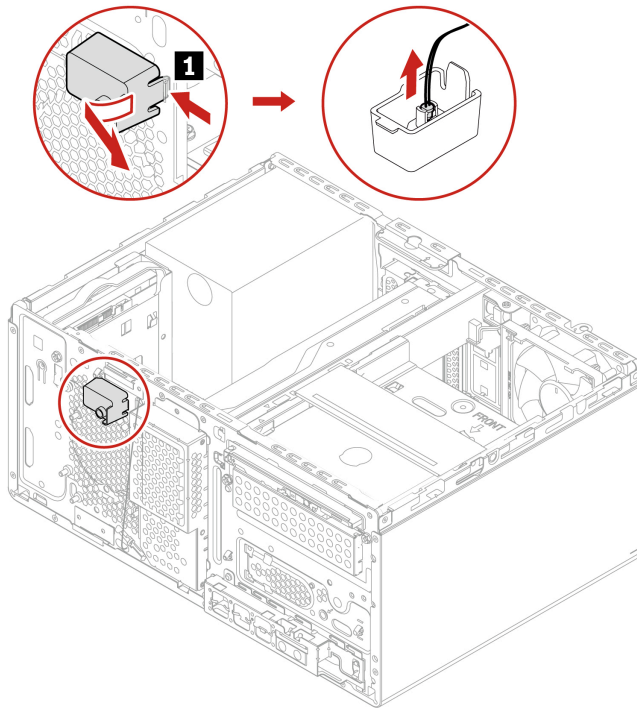
Prerequisite

Before you start, ensure that you have read the relevant sections in Prerequisites for hardware replacement, which includes:

- General prerequisites
- Prerequisites for opening left side cover of the computer
- Prerequisites for replacing storage drives
- Prerequisites for replacing hot-swappable storage drives in the front-access storage enclosure
- Prerequisites for replacing power supply assembly

Removal steps

1. Remove the following parts, if any:
 - a. “Side cover” on page 61
 - b. “Slim-ODD-relevant parts” on page 62
 - c. “Storage drive in the front-access storage enclosure or optional storage drive cage” on page 70
 - d. “Front-access storage enclosure or 3.5-inch optional storage drive cage” on page 72
 - e. “Front bezel” on page 67
2. Disconnect the ThinkStation LED cable from the system board.
3. Remove the ThinkStation LED.



Thermal sensor

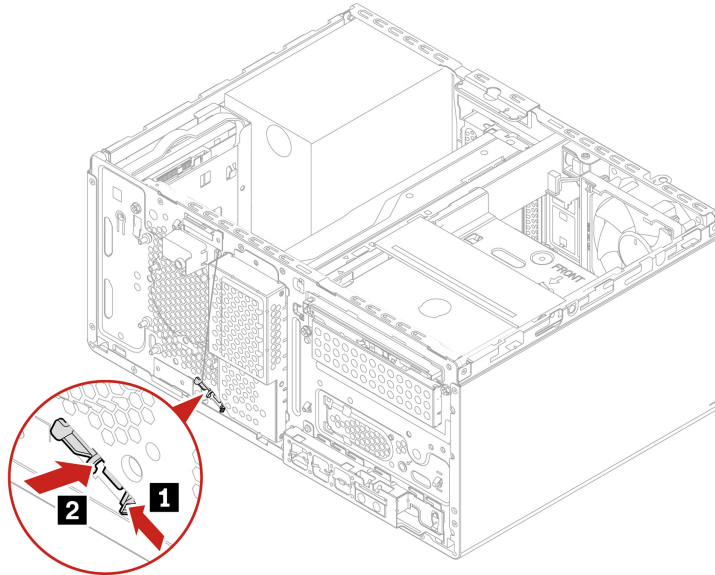
Prerequisite

Before you start, ensure that you have read the relevant sections in Prerequisites for hardware replacement, which includes:

- General prerequisites
- Prerequisites for opening left side cover of the computer
- Prerequisites for replacing storage drives
- Prerequisites for replacing hot-swappable storage drives in the front-access storage enclosure
- Prerequisites for replacing power supply assembly

Removal steps

1. Remove the following parts, if any:
 - a. “Side cover” on page 61
 - b. “Slim-ODD-relevant parts” on page 62
 - c. “Storage drive in the front-access storage enclosure or optional storage drive cage” on page 70
 - d. “Front-access storage enclosure or 3.5-inch optional storage drive cage” on page 72
 - e. “Front bezel” on page 67
 - f. “Front fan” on page 89
2. Disconnect the thermal sensor cable from the system board.
3. Remove the thermal sensor.



Heat-sink-and-fan assembly

Prerequisite

Before you start, ensure that you have read the relevant sections in Prerequisites for hardware replacement, which includes:

- General prerequisites
- Prerequisites for opening left side cover of the computer
- Prerequisites for replacing storage drives
- Prerequisites for replacing hot-swappable storage drives in the front-access storage enclosure
- Prerequisites for replacing power supply assembly

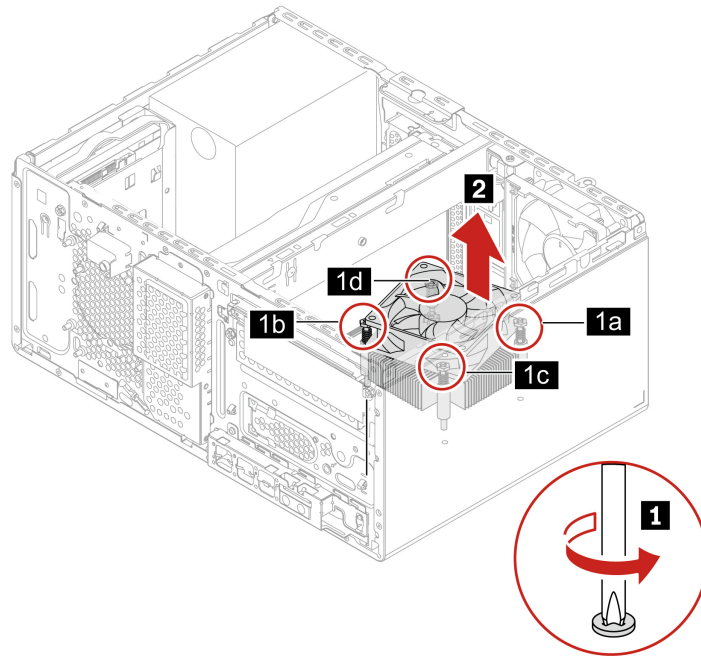
Removal steps of 65-watt heat-sink-and-fan assembly

1. Remove the following parts, if any:
 - a. “Side cover” on page 61
 - b. “Slim-ODD-relevant parts” on page 62
 - c. “Storage drive in the front-access storage enclosure or optional storage drive cage” on page 70
 - d. “Front-access storage enclosure or 3.5-inch optional storage drive cage” on page 72
2. Disconnect the heat-sink-and-fan assembly cable from the microprocessor fan connector on the system board.
3. Follow the following sequence to loosen the four screws that secure the heat-sink-and-fan assembly to the system board.
 - a. Partially loosen screw **1a**, fully loosen screw **1b**, and then fully loosen screw **1a**.
 - b. Partially loosen screw **1c**, fully loosen screw **1d**, and then fully loosen screw **1c**.

Notes:

- Carefully loosen the four screws to avoid any possible damage to the system board. The four screws cannot be removed from the heat-sink-and-fan assembly.
- You might have to gently twist the heat-sink-and-fan assembly to free it from the CPU.

- Do not touch the thermal grease while handling the heat-sink-and-fan assembly.
- Lift the heat-sink-and-fan assembly off the system board.



Step	Screw (quantity)	Torque
1	#6-32 × 58 mm (2.3 inches), Nickel coated (4)	0.56 ± 0.11 Nm (5.75 ± 1.15 kgf-cm)

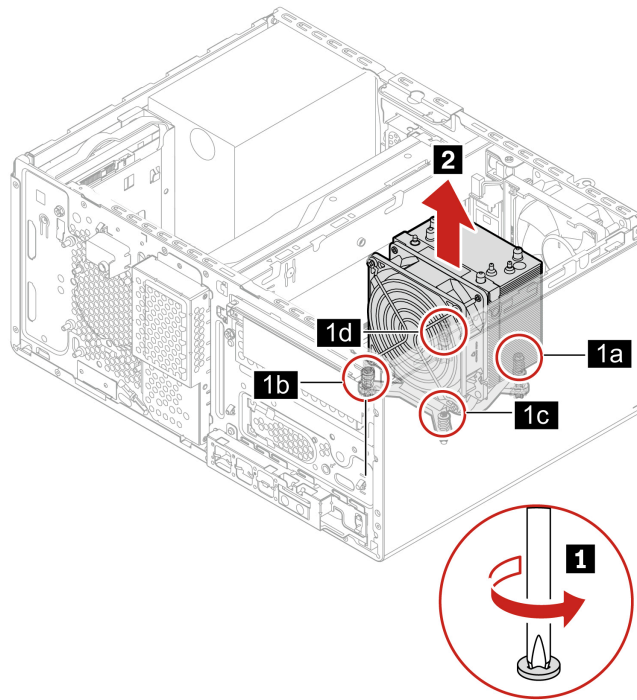
Removal steps of type-1 125-watt heat-sink-and-fan assembly

- Remove the following parts, if any:
 - “Side cover” on page 61
 - “Slim-ODD-relevant parts” on page 62
 - “Storage drive in the front-access storage enclosure or optional storage drive cage” on page 70
 - “Front-access storage enclosure or 3.5-inch optional storage drive cage” on page 72
- Disconnect the heat-sink-and-fan assembly cable from the microprocessor fan connector on the system board.
- Follow the following sequence to loosen the four screws that secure the heat-sink-and-fan assembly to the system board.
 - Partially loosen screw **1a**, fully loosen screw **1b**, and then fully loosen screw **1a**.
 - Partially loosen screw **1c**, fully loosen screw **1d**, and then fully loosen screw **1c**.

Notes:

- Carefully loosen the four screws to avoid any possible damage to the system board. The four screws cannot be removed from the heat-sink-and-fan assembly.
 - You might have to gently twist the heat-sink-and-fan assembly to free it from the CPU.
 - Do not touch the thermal grease while handling the heat-sink-and-fan assembly.
- Lift the heat-sink-and-fan assembly off the system board.

Note: Use screwdriver of Phillips Head 02 and with shank length greater than 6 inches to loosen the screws of 125-watt heat-sink-and-fan assembly.



Step	Screw (quantity)	Torque
1	#6-32 × 28 mm (1.1 inches), Nickel coated (4)	0.56 ± 0.11 Nm (5.75 ± 1.15 kgf-cm)

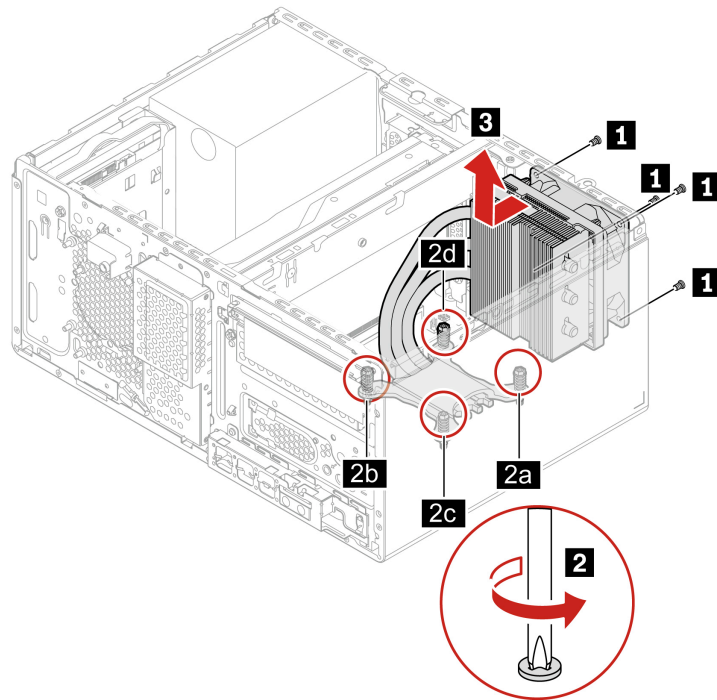
Removal steps of type-2 125-watt heat-sink-and-fan assembly

1. Remove the following parts, if any:
 - a. “Side cover” on page 61
 - b. “Slim-ODD-relevant parts” on page 62
 - c. “Storage drive in the front-access storage enclosure or optional storage drive cage” on page 70
 - d. “Front-access storage enclosure or 3.5-inch optional storage drive cage” on page 72
2. Disconnect the heat-sink-and-fan assembly cable from the microprocessor fan connector on the system board.
3. Remove the four screws **1** that secure the heat-sink-and-fan assembly to the chassis.
4. Follow the following sequence to loosen the four screws that secure the heat-sink-and-fan assembly to the system board.
 - a. Partially loosen screw **2a**, fully loosen screw **2b**, and then fully loosen screw **2a**.
 - b. Partially loosen screw **2c**, fully loosen screw **2d**, and then fully loosen screw **2c**.

Notes:

- Carefully loosen the four screws to avoid any possible damage to the system board. The four screws cannot be removed from the heat-sink-and-fan assembly.
- You might have to gently twist the heat-sink-and-fan assembly to free it from the CPU.
- Do not touch the thermal grease while handling the heat-sink-and-fan assembly.

5. Lift the heat-sink-and-fan assembly off the system board.



Step	Screw (quantity)	Torque
1	#6-32 × 8 mm (0.3 inches), Nickel coated (4)	0.56 ± 0.11 Nm (5.75 ± 1.15 kgf-cm)
2	#6-32 × 29 mm (1.1 inches), Nickel coated (4)	0.56 ± 0.11 Nm (5.75 ± 1.15 kgf-cm)

Front I/O bracket, power button cable, and card reader

Prerequisite

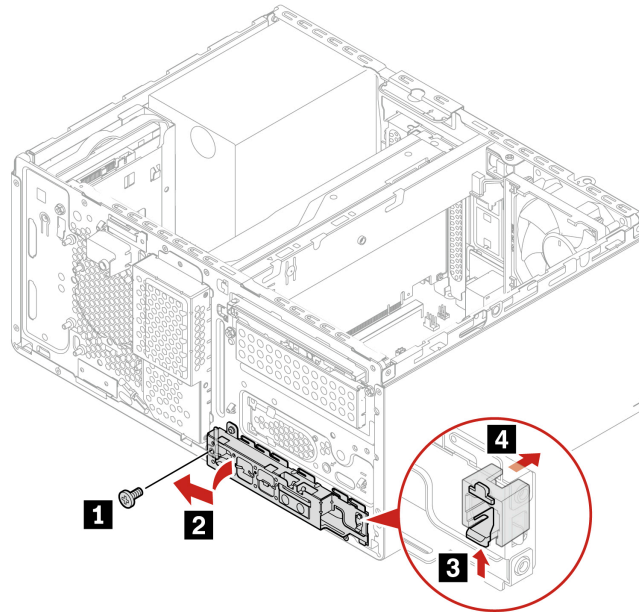
Before you start, ensure that you have read the relevant sections in Prerequisites for hardware replacement, which includes:

- General prerequisites
- Prerequisites for opening left side cover of the computer
- Prerequisites for replacing storage drives
- Prerequisites for replacing hot-swappable storage drives in the front-access storage enclosure
- Prerequisites for replacing power supply assembly

Removal steps

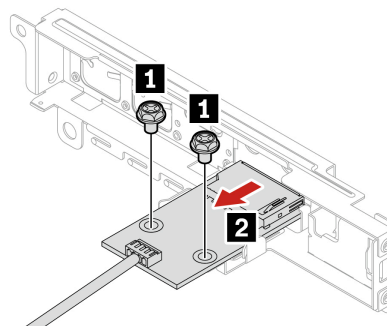
1. Remove the following parts, if any:
 - a. “Side cover” on page 61
 - b. “Slim-ODD-relevant parts” on page 62
 - c. “Storage drive in the front-access storage enclosure or optional storage drive cage” on page 70
 - d. “Front-access storage enclosure or 3.5-inch optional storage drive cage” on page 72
 - e. “Front bezel” on page 67

2. Disconnect the power button cable and the card reader cable from the system board.
3. Remove the front I/O bracket and the power button cable.



Step	Screw (quantity)	Torque
1	#6-32 × 5 mm (0.2 inches), Nickel coated (1)	0.56 ± 0.05 Nm (5.75 ± 0.57 kgf-cm)

4. Remove the card reader with its cable.



Step	Screw (quantity)	Torque
1	M3 × 8 mm (0.3 inches), Cheesehead (2)	0.56 ± 0.06 Nm (5.76 ± 0.58 kgf-cm)

Flexible I/O port card

Prerequisite

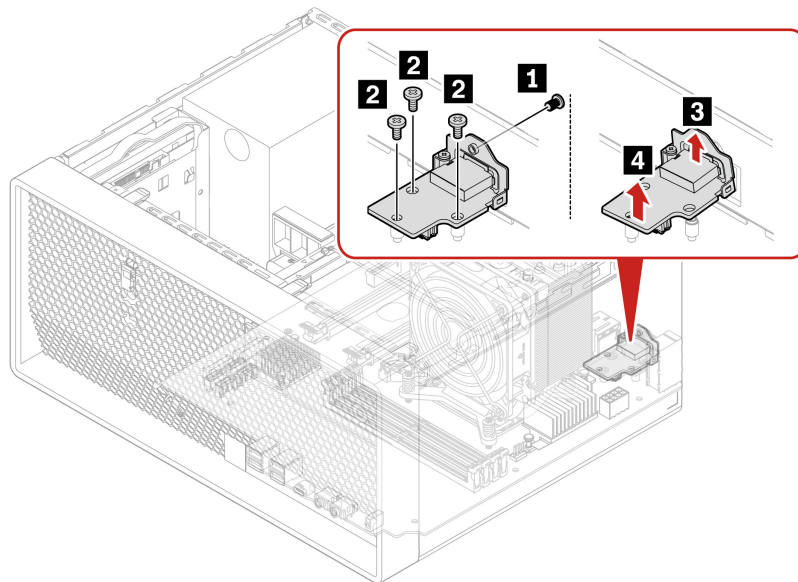
Before you start, ensure that you have read the relevant sections in Prerequisites for hardware replacement, which includes:

- General prerequisites
- Prerequisites for opening left side cover of the computer

- Prerequisites for replacing storage drives
- Prerequisites for replacing hot-swappable storage drives in the front-access storage enclosure
- Prerequisites for replacing power supply assembly

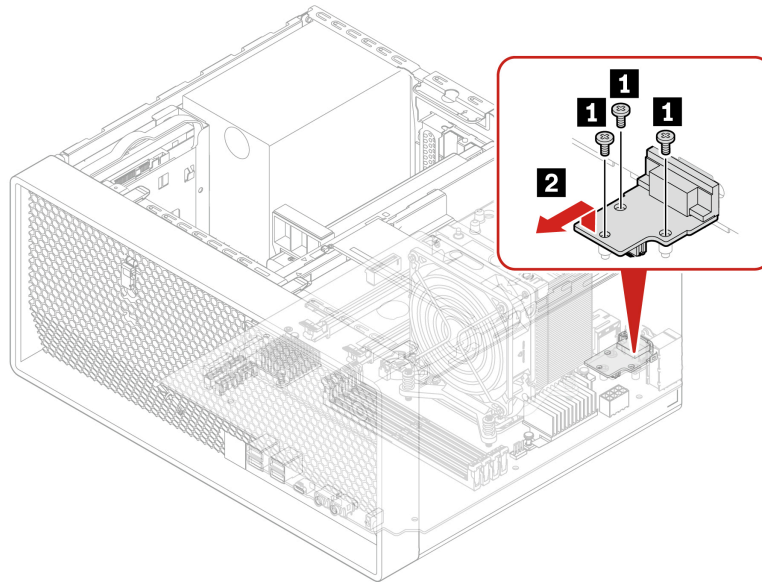
Removal steps

1. Remove the following parts in order, if any:
 - a. “Side cover” on page 61
 - b. “E-lock” on page 90
 - c. “Rear fan” on page 92
 - d. “Removal steps of type-2 125-watt heat-sink-and-fan assembly” on page 107
2. Remove the flexible I/O port card.
 - Type 1



Step	Screw (quantity)	Torque
1	M2-5 × 4 mm (0.16 inches), Nickel coated (1)	0.16 ± 0.05 Nm (1.72 ± 0.57 kgf-cm)
2	M3 × 3.2 mm (0.13 inches), Nickel coated (3)	0.56 ± 0.05 Nm (5.75 ± 0.57 kgf-cm)

- Type 2



Step	Screw (quantity)	Torque
1	M3 × 3.2 mm (0.13 inches), Nickel coated (3)	0.56 ± 0.05 Nm (5.75 ± 0.57 kgf-cm)

CPU

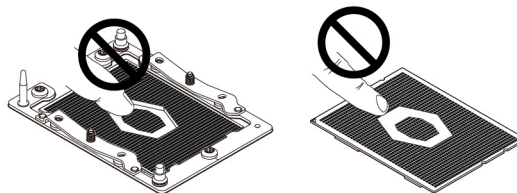
Prerequisite

Before you start, ensure that you have read the relevant sections in Prerequisites for hardware replacement, which includes:

- General prerequisites
- Prerequisites for opening left side cover of the computer
- Prerequisites for replacing storage drives
- Prerequisites for replacing hot-swappable storage drives in the front-access storage enclosure
- Prerequisites for replacing power supply assembly

Notes:

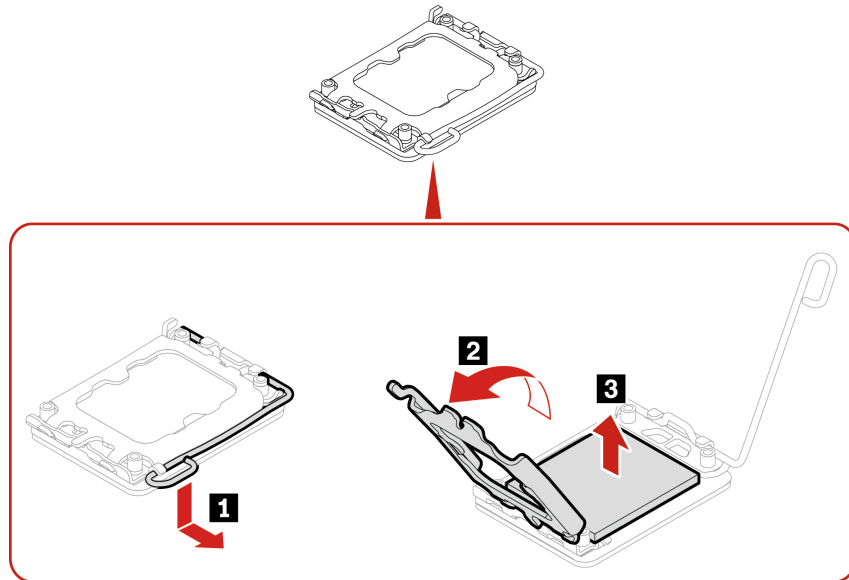
- Touch only the edges of the CPU. Do not touch the pins on the CPU socket or the gold contacts on the CPU.



- Do not drop anything onto the CPU socket while it is exposed. The socket pins must be kept as clean as possible.
- Your CPU sockets and socket covers might look slightly different from the illustrations in this topic.

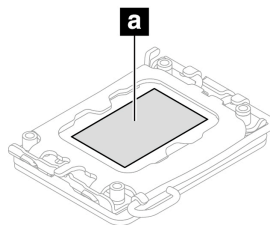
Removal steps

1. Remove the following parts, if any:
 - a. “Side cover” on page 61
 - b. “Slim-ODD-relevant parts” on page 62
 - c. “Storage drive in the front-access storage enclosure or optional storage drive cage” on page 70
 - d. “Front-access storage enclosure or 3.5-inch optional storage drive cage” on page 72
 - e. “Heat-sink-and-fan assembly” on page 105
2. Unlock and remove the CPU.

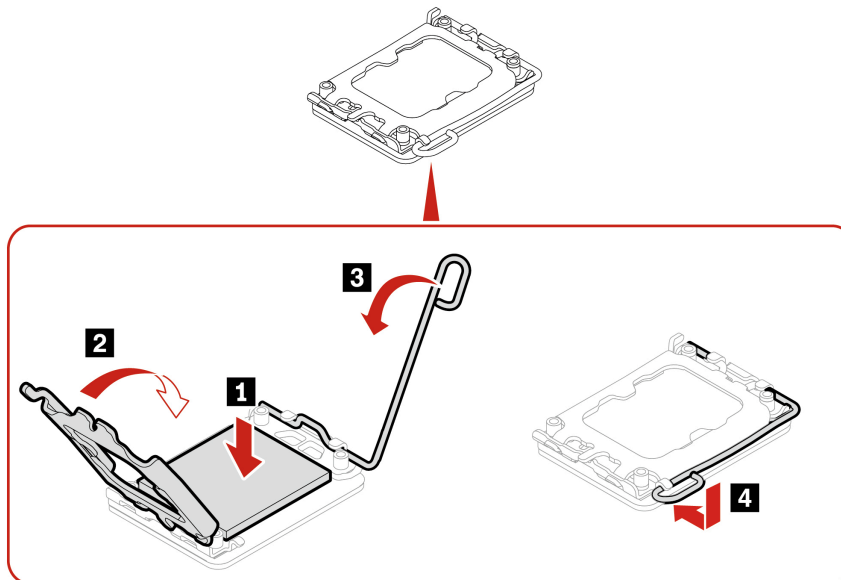


Installation steps

1. Clean all thermal grease that has been used and then apply new thermal grease. Apply new thermal grease at the amount of 0.6 grams and the thickness of 0.2 mm, on the parts marked **a** as shown in the following illustrations. Either too much or too less application of grease can cause a thermal problem due to imperfect contact with a component.



2. Attach the CPU to the computer and lock the CPU.



System board

Prerequisite

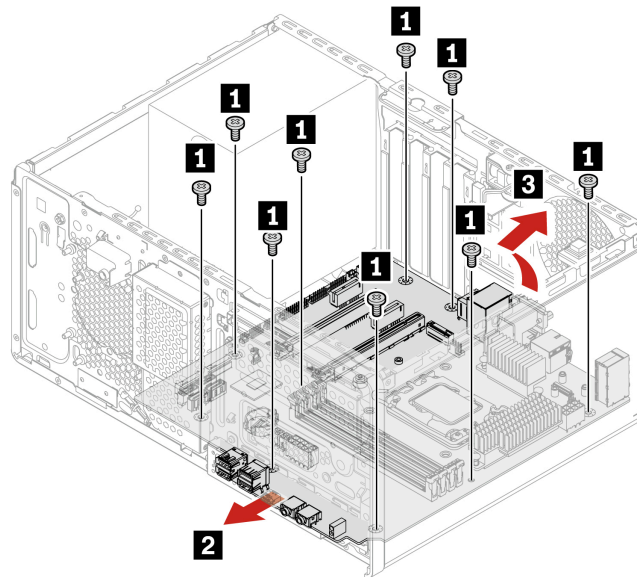
Before you start, ensure that you have read the relevant sections in Prerequisites for hardware replacement, which includes:

- General prerequisites
- Prerequisites for opening left side cover of the computer
- Prerequisites for replacing storage drives
- Prerequisites for replacing hot-swappable storage drives in the front-access storage enclosure
- Prerequisites for replacing power supply assembly

Removal steps

1. Remove the following parts, if any:
 - a. “Side cover” on page 61
 - b. “Slim-ODD-relevant parts” on page 62
 - c. “Storage” on page 68
 - d. “Side fan with bracket” on page 79
 - e. “Front fan” on page 89
 - f. “Front bezel” on page 67
 - g. “Front I/O bracket, power button cable, and card reader” on page 108
 - h. “PCIe cards” on page 80
 - i. “Flexible I/O port card” on page 109
 - j. “Chassis beam” on page 95
 - k. “Rear fan” on page 92
 - l. “Cover presence switch cable and bracket” on page 98
 - m. “Internal speaker” on page 91

- n. “Rear Wi-Fi antenna cover” on page 94
 - o. “Smart cable clip” on page 93
 - p. “Memory module” on page 96
 - q. “E-lock” on page 90
 - r. “Power supply assembly” on page 99
 - s. “Wi-Fi card” on page 100
 - t. “Front Wi-Fi antenna” on page 101
 - u. “Rear Wi-Fi antenna” on page 102
 - v. “Heat-sink-and-fan assembly” on page 105
 - w. “CPU” on page 111
2. Record the cable routing and cable connections, and then disconnect all cables from the system board. See “System board illustration” on page 57.
 3. Remove the system board.



Step	Screw (quantity)	Torque
1	M3 × 5 mm (0.2 inches), Zn coated (9)	0.56 ± 0.05 Nm (5.75 ± 0.57 kgf-cm)

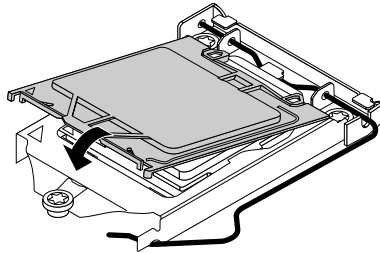
Note: The failing system board must be returned with a CPU socket cover to protect the pins during shipping and handling.

CPU socket cover installation procedure

1. After you have removed the CPU from the failing system board, close the CPU retainer. Then, put the lever to the locked position to secure the retainer in place.

2. Note the orientation of the socket cover, and install one side of the socket cover into the CPU socket. Carefully press the other side of the socket cover downward until the socket cover snaps into position.

Note: The CPU socket cover might look slightly different from the illustration.



3. Carefully check the four corners of the socket cover to ensure that the cover is seated securely.
4. Follow any additional instructions that are included with the replacement part you received.

Rear I/O shielding

Prerequisite

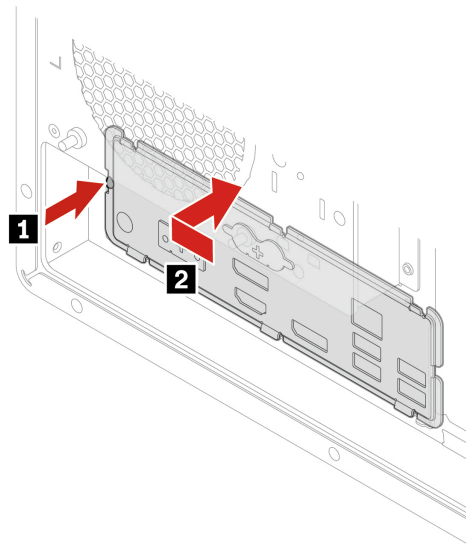
Before you start, ensure that you have read the relevant sections in Prerequisites for hardware replacement, which includes:

- General prerequisites
- Prerequisites for opening left side cover of the computer
- Prerequisites for replacing storage drives
- Prerequisites for replacing hot-swappable storage drives in the front-access storage enclosure
- Prerequisites for replacing power supply assembly

Removal steps

1. Remove the following parts, if any:
 - a. “Side cover” on page 61
 - b. “Slim-ODD-relevant parts” on page 62
 - c. “Storage” on page 68
 - d. “Side fan with bracket” on page 79
 - e. “Front fan” on page 89
 - f. “Front bezel” on page 67
 - g. “Front I/O bracket, power button cable, and card reader” on page 108
 - h. “PCIe cards” on page 80
 - i. “Flexible I/O port card” on page 109
 - j. “Chassis beam” on page 95
 - k. “Rear fan” on page 92
 - l. “Cover presence switch cable and bracket” on page 98
 - m. “Internal speaker” on page 91
 - n. “Rear Wi-Fi antenna cover” on page 94
 - o. “Smart cable clip” on page 93
 - p. “Memory module” on page 96

- q. “E-lock” on page 90
 - r. “Power supply assembly” on page 99
 - s. “Wi-Fi card” on page 100
 - t. “Front Wi-Fi antenna” on page 101
 - u. “Rear Wi-Fi antenna” on page 102
 - v. “Heat-sink-and-fan assembly” on page 105
 - w. “CPU” on page 111
 - x. “System board” on page 113
2. Remove the rear I/O shielding.



VRM heat sink

Prerequisite

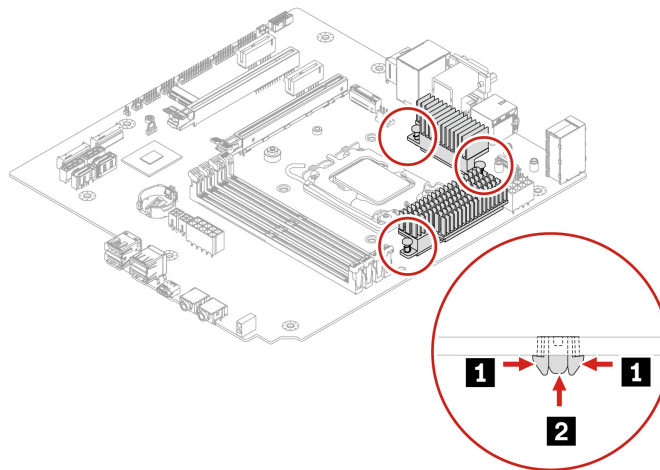
Before you start, ensure that you have read the relevant sections in Prerequisites for hardware replacement, which includes:

- General prerequisites
- Prerequisites for opening left side cover of the computer
- Prerequisites for replacing storage drives
- Prerequisites for replacing hot-swappable storage drives in the front-access storage enclosure
- Prerequisites for replacing power supply assembly

Removal steps

1. Remove the following parts, if any:
 - a. “Side cover” on page 61
 - b. “Slim-ODD-relevant parts” on page 62
 - c. “Storage” on page 68
 - d. “Front fan” on page 89
 - e. “Front bezel” on page 67

- f. “Front I/O bracket, power button cable, and card reader” on page 108
 - g. “PCIe cards” on page 80
 - h. “Flexible I/O port card” on page 109
 - i. “Chassis beam” on page 95
 - j. “Rear fan” on page 92
 - k. “Cover presence switch cable and bracket” on page 98
 - l. “Internal speaker” on page 91
 - m. “Rear Wi-Fi antenna cover” on page 94
 - n. “Smart cable clip” on page 93
 - o. “Memory module” on page 96
 - p. “E-lock” on page 90
 - q. “Power supply assembly” on page 99
 - r. “Wi-Fi card” on page 100
 - s. “Front Wi-Fi antenna” on page 101
 - t. “Rear Wi-Fi antenna” on page 102
 - u. “Heat-sink-and-fan assembly” on page 105
 - v. “CPU” on page 111
 - w. “System board” on page 113
2. Remove the VRM heat sink.



Appendix A. Notices and trademarks

Notices

Lenovo may not offer the products, services, or features discussed in this document in all countries. Consult your local Lenovo representative for information on the products and services currently available in your area. Any reference to a Lenovo product, program, or service is not intended to state or imply that only that Lenovo product, program, or service may be used. Any functionally equivalent product, program, or service that does not infringe any Lenovo intellectual property right may be used instead. However, it is the user's responsibility to evaluate and verify the operation of any other product, program, or service.

Lenovo may have patents or pending patent programs covering subject matter described in this document. The furnishing of this document does not give you any license to these patents. You can send license inquiries, in writing, to:

*Lenovo (United States), Inc.
8001 Development Drive
Morrisville, NC 27560
U.S.A.
Attention: Lenovo Director of Licensing*

LENOVO PROVIDES THIS PUBLICATION "AS IS" WITHOUT WARRANTY OF ANY KIND, EITHER EXPRESS OR IMPLIED, INCLUDING, BUT NOT LIMITED TO, THE IMPLIED WARRANTIES OF NON-INFRINGEMENT, MERCHANTABILITY OR FITNESS FOR A PARTICULAR PURPOSE. Some jurisdictions do not allow disclaimer of express or implied warranties in certain transactions, therefore, this statement may not apply to you.

Changes are made periodically to the information herein; these changes will be incorporated in new editions of the publication. To provide better service, Lenovo reserves the right to improve and/or modify the products and software programs described in the manuals included with your computer, and the content of the manual, at any time without additional notice.

The software interface and function and hardware configuration described in the manuals included with your computer might not match exactly the actual configuration of the computer that you purchase. For the configuration of the product, refer to the related contract (if any) or product packing list, or consult the distributor for the product sales. Lenovo may use or distribute any of the information you supply in any way it believes appropriate without incurring any obligation to you.

The products described in this document are not intended for use in implantation or other life support applications where malfunction may result in injury or death to persons. The information contained in this document does not affect or change Lenovo product specifications or warranties. Nothing in this document shall operate as an express or implied license or indemnity under the intellectual property rights of Lenovo or third parties. All information contained in this document was obtained in specific environments and is presented as an illustration. The result obtained in other operating environments may vary.

Lenovo may use or distribute any of the information you supply in any way it believes appropriate without incurring any obligation to you.

Any references in this publication to non-Lenovo Web sites are provided for convenience only and do not in any manner serve as an endorsement of those Web sites. The materials at those Web sites are not part of the materials for this Lenovo product, and use of those Web sites is at your own risk.

Any performance data contained herein was determined in a controlled environment. Therefore, the result obtained in other operating environments may vary significantly. Some measurements may have been made on development-level systems and there is no guarantee that these measurements will be the same on generally available systems. Furthermore, some measurements may have been estimated through extrapolation. Actual results may vary. Users of this document should verify the applicable data for their specific environment.

This document is copyrighted by Lenovo and is not covered by any open source license, including any Linux® agreement(s) which may accompany software included with this product. Lenovo may update this document at any time without notice.

For the latest information or any questions or comments, contact or visit the Lenovo Web site:

<https://pcsupport.lenovo.com>

Trademarks

Lenovo, the Lenovo logo, Lenovo Legion, IdeaPad, Yoga, ThinkCentre, the ThinkCentre logo, ThinkEdge, the ThinkEdge logo, ThinkStation, the ThinkStation logo, ThinkPad, the ThinkPad logo, and TrackPoint are trademarks of Lenovo. Intel, Intel Optane, and Thunderbolt are trademarks of Intel Corporation or its subsidiaries in the U.S. and/or other countries. Linux is the registered trademark of Linus Torvalds in the U.S. and other countries. Microsoft, Microsoft Teams, Windows, Windows Hello, One Drive, Outlook, Skype, Office 365, Direct3D, and BitLocker are trademarks of the Microsoft group of companies. Mini DisplayPort (mDP) and DisplayPort are trademarks of the Video Electronics Standards Association. NVIDIA is a registered trademark of NVIDIA Corporation. Dolby, Dolby Voice, Dolby Audio and Dolby Atmos are trademarks of Dolby Laboratories Licensing Corporation. The terms HDMI and HDMI High-Definition Multimedia Interface are trademarks or registered trademarks of HDMI Licensing LLC in the United States and other countries. USB4® and USB-C® are registered trademarks of USB Implementers Forum. Wi-Fi and Miracast are registered trademarks of Wi-Fi Alliance. All other trademarks are the property of their respective owners.

Lenovo