

HP EliteBook X G2i 14 inch Notebook Next Gen AI PC



Also available in
Eclipse Gray

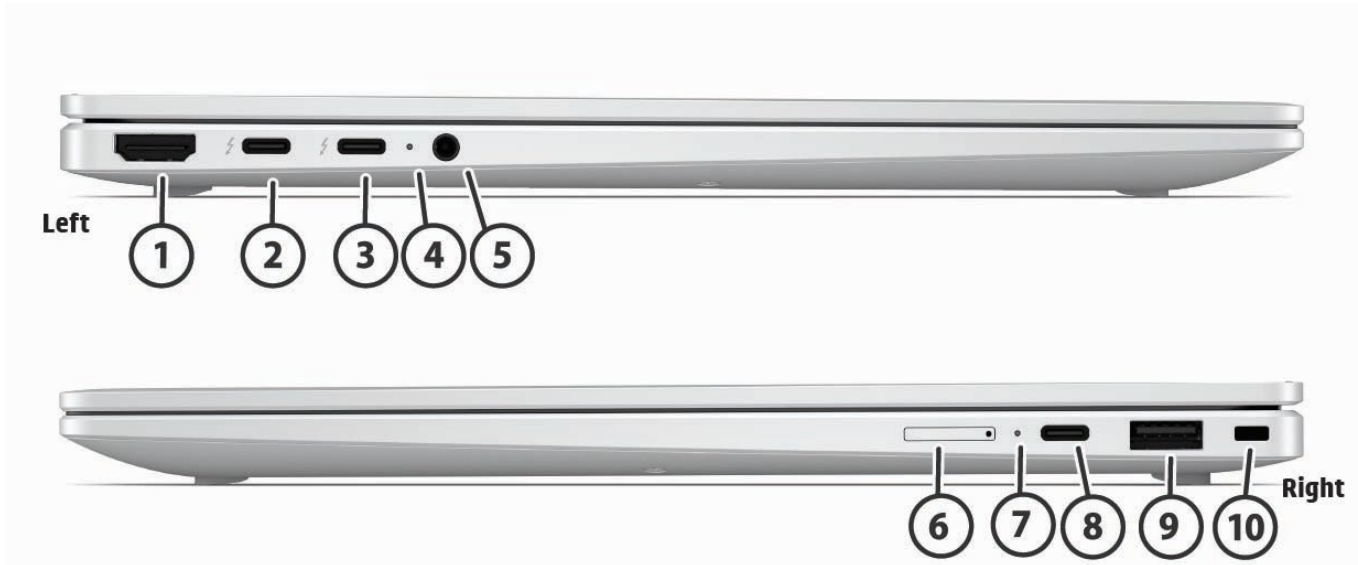


Also available in
Atmospheric Blue



Front

- | | | | |
|---|-------------------------|---|----------------|
| 1 | Internal Microphone (2) | 4 | Camera Shutter |
| 2 | Webcam LED | 5 | Touchpad |
| 3 | Webcam | | |



Sides

| | | | |
|---|---|----|--|
| 1 | HDMI 2.1 | 6 | Nano SIM card slot (Optional) |
| 2 | Thunderbolt™ 4 with USB Type-C® 40Gbps signaling rate (USB Power Delivery, DisplayPort™ 2.1) ¹ | 7 | Power Indicator LED |
| 3 | Thunderbolt™ 4 with USB Type-C® 40Gbps signaling rate (USB Power Delivery, DisplayPort™ 2.1) ¹ | 8 | 1 x USB Type-C® 10Gbps signaling rate (USB Power Delivery, DisplayPort™ 1.4) |
| 4 | Power Indicator LED | 9 | USB Type-A 5Gbps signaling rate (Powered) |
| 5 | Headphone/mic combo jack | 10 | Nano Security Slot |

1. USB 20Gbps signaling rate is not available with Thunderbolt™ 4. Actual throughput may vary.

PRODUCT NAME

HP EliteBook X G2i 14 inch Notebook Next Gen AI PC



OPERATING SYSTEM

Preinstalled

FreeDOS

Windows 11 Home - HP recommends Windows 11 Pro for business¹

Windows 11 Home Single Language - HP recommends Windows 11 Pro for business¹

Windows 11 Pro¹

Windows 11 Pro (Windows 11 Enterprise available with a Volume Licensing Agreement)¹

1. Not all features are available in all editions or versions of Windows. Systems may require upgraded and/or separately purchased hardware, drivers, software or BIOS update to take full advantage of Windows functionality. Windows is automatically updated and enabled. High speed internet and Microsoft account required. ISP fees may apply and additional requirements may apply over time for updates. See <http://www.windows.com>



PROCESSORS

| Processor 2,3,4,5,6 | Cores | Number of P-cores | Number of E-cores | Number of LPE-cores | Threads | Smart Cache | Max Turbo Frequency ³ | | | Intel SIPP/ vPro® Enterprise | Integrated Graphic | NPU |
|---|----------|-------------------|-------------------|---------------------|---------|-------------|----------------------------------|----------|-----------|------------------------------------|--|---------|
| | | | | | | | P-cores | E-cores | LPE-cores | | | |
| Intel® Core™ Ultra X7 processor or 368H | 16 cores | 4 | 8 | 4 | 16 | 18 MB | 5.00 GHz | 3.80 GHz | 3.60 GHz | X | Intel® ARC™ B390 GPU Intel® ARC™ Pro B390 GPU | 50 TOPS |
| Intel® Core™ Ultra X7 processor or 358H | 16 cores | 4 | 8 | 4 | 16 | 18 MB | 4.80 GHz | 3.50 GHz | 3.30 GHz | | Intel® ARC™ B390 GPU | 50 TOPS |
| Intel® Core™ Ultra7 processor 366H | 16 cores | 4 | 8 | 4 | 16 | 18 MB | 4.80 GHz | 3.60 GHz | 3.40 GHz | X | Intel® Graphics | 50 TOPS |
| Intel® Core™ Ultra7 processor 356H | 16 cores | 4 | 8 | 4 | 16 | 18 MB | 4.70 GHz | 3.50 GHz | 3.30 GHz | | Intel® Graphics | 50 TOPS |
| Intel® Core™ Ultra5 processor 338H | 12 cores | 4 | 4 | 4 | 12 | 18 MB | 4.70 GHz | 3.40 GHz | 3.30 GHz | X | Intel® ARC™ B370 GPU Intel® ARC™ Pro B370 GPU | 47 TOPS |



QuickSpecs

HP EliteBook X G2i 14 inch Notebook Next Gen AI PC

| | | | | | | | | | | | | |
|-----------------------------------|---------|---|---|---|---|-------|----------|----|----------|---|-----------------|---------|
| Intel® Core™ Ultra5 processor 335 | 8 cores | 4 | 0 | 4 | 8 | 12 MB | 4.60 GHz | NA | 3.40 GHz | X | Intel® Graphics | 47 TOPS |
| Intel® Core™ Ultra5 processor 325 | 8 cores | 4 | 0 | 4 | 8 | 12 MB | 4.50 GHz | NA | 3.40 GHz | | Intel® Graphics | 47 TOPS |

Processor Family

Intel® Core™ Ultra X7 processor

2. Multicore is designed to improve performance of certain software products. Not all customers or software applications will necessarily benefit from use of this technology. Performance and clock frequency will vary depending on application workload and your hardware and software configurations. Intel's numbering, branding and/or naming is not a measurement of higher performance.
3. Intel® Turbo Boost performance varies depending on hardware, software and overall system configuration.
4. Features and software that require a NPU may require software purchase, subscription or enablement by a software or platform provider, and third party software may have specific configuration or compatibility requirements. Potential NPU inferencing performance varies by use, configuration, and other factors.
5. For full Intel® vPro® functionality, Windows 10 (or higher) Pro or Enterprise 64 bit edition, a vPro supported processor, vPro enabled chipset, vPro enabled wired LAN and/or WLAN card and TPM 2.0 are required. Some functionality requires additional 3rd party software in order to run. See <http://intel.com/vpro>
6. In accordance with Microsoft's support policy, HP does not support the Windows 8 or Windows 7 operating system on products configured with Intel and AMD 7th generation and forward processors or provide any Windows 8 or Windows 7 drivers on <http://www.support.hp.com>.



GRAPHICS

Integrated

Intel® ARC™ B390 GPU ⁷

Supported Protocols

Support DirectX®12, HDCP 2.3, HDMI 2.1 (up to 4K 60Hz)

Display supported (including internal display; dock may be required) up to 4

Codec

Hardware Acceleration HEVC (H.265) CODEC is supported

7. Intel® ARC™ graphics only available on select Intel® Core™ Ultra H-series processor-powered systems with at least 16GB of system memory in dual channel configuration.



DISPLAY

Availability may vary by country.

Actual brightness will be lower with touchscreen or HP Sure View.

Non-Touch

35.6 cm (14") diagonal, WUXGA (1920 x 1200), LCD, UWVA, Anti-Glare, Low Blue Light, 800 nits, sRGB 100%, Sure View 6⁸

35.6 cm (14") diagonal, 3K (2880 x 1800), OLED, 120Hz (VRR), UWVA, Anti-Glare, OLED+Low Blue Light, 500 nits, DCI-P3 100%

35.6 cm (14") diagonal, WUXGA (1920 x 1200), LCD, UWVA, Anti-Glare, WLED+Low Blue Light, 400 nits, Low power, sRGB 100%

35.6 cm (14") diagonal, WUXGA (1920 x 1200), OLED, UWVA, Anti-Glare, OLED+Low Blue Light, 300 nits, DCI-P3 100%

Touch

35.6 cm (14") diagonal, WUXGA (1920 x 1200), LCD, UWVA, Touch on Panel, Anti-Glare, Low Blue Light, 800 nits, sRGB 100%, Sure View 6⁸

35.6 cm (14") diagonal, 3K (2880 x 1800), Tandem OLED, 120Hz (VRR), UWVA, Direct Bonding Touch Screen, BrightView, OLED+Low Blue Light, 700 nits, DCI-P3 100%

35.6 cm (14") diagonal, WUXGA (1920 x 1200), LCD, UWVA, Touch on Panel, Anti-Glare, WLED, 500 nits, sRGB 100%

Display Size (Diagonal)

35.6 cm (14")

Aspect Ratio

16:10

Screen to Body Ratio

Up to 90.08%

Max Hinge Open Angle

177±3°

8. HP Sure View integrated privacy screen is an optional feature that must be configured at purchase and is designed to function in landscape orientation.



DOCKING (SOLD SEPARATELY)

Docking station model name

HP Thunderbolt™ 100W G6 Dock

Total number of supported displays (incl.the notebook)

4

Max. resolutions supported

(4) 4K @60Hz*

(2) 4K @ 120Hz*

(3) QHD @ 120Hz*

(1) QHD @ 360Hz*

Dock Connectors

1 x HDMI 2.1, 2 x DisplayPort 1.4, 1 x Thunderbolt 4

Technical limitations

*Requires DisplayPort 1.4 support with Display Stream Compression (DSC).

Bluetooth required for HP Quick Connect. HP Quick Connect available on select HP notebooks.

Maximum resolution and display support is dependent on the maximum capability of the notebook.

Thunderbolt Hosts:

Maximum of (4) displays with maximum resolution of 5K@ 30Hz running Thunderbolt host.

Maximum resolution possible is dual 8K displays @ 60Hz running Thunderbolt host or running a non-Thunderbolt host in high resolution mode @30Hz

Non-Thunderbolt hosts:

The highest resolution for dual displays running a non-Thunderbolt host in multi-function mode is

(1) 5K dual cable (using both DP ports) +(1) 4K on USB-C DP port

Non-Thunderbolt hosts support (3) displays with a maximum resolution of (2) 5K single cable + (1) 4K UHD @ 60 Hz in high resolution mode. In multi-function mode the maximum resolution for (3) displays is (2) 5K single cable @ 30Hz + (1) 4K UHD @ 30Hz.



Docking station model name

HP Thunderbolt™ 180W G6 Dock

Total number of supported displays (incl.the notebook)

4

Max. resolutions supported

(4) 4K @60Hz*

(2) 4K @ 120Hz*

(3) QHD @ 120Hz*

(1) QHD @ 360Hz*

Dock Connectors

1 x HDMI 2.1, 2 x DisplayPort 1.4, 1 x Thunderbolt 4, 1 x USB-C 3.2 Gen 2 DisplayPort

Technical limitations

*Requires DisplayPort 1.4 support with Display Stream Compression (DSC).

Bluetooth required for HP Quick Connect. HP Quick Connect available on select HP notebooks.

Maximum resolution and display support is dependent on the maximum capability of the notebook.

Thunderbolt Hosts:

Maximum of (4) displays with maximum resolution of 5K@ 30Hz running Thunderbolt host.

Maximum resolution possible is dual 8K displays @ 60Hz running Thunderbolt host or running a non-Thunderbolt host in high resolution mode @30Hz

Non-Thunderbolt hosts:

The highest resolution for dual displays running a non-Thunderbolt host in multi-function mode is

(1) 5K dual cable (using both DP ports) +(1) 4K on USB-C DP port

Non-Thunderbolt hosts support (3) displays with a maximum resolution of (2) 5K single cable + (1) 4K UHD @ 60 Hz in high resolution mode. In multi-function mode the maximum resolution for (3) displays is (2) 5K single cable @ 30Hz + (1) 4K UHD @ 30Hz.

Docking station model name

HP Thunderbolt™ 280W G6 Dock

Total number of supported displays (incl.the notebook)

4



Max. resolutions supported

- (4) 4K @60Hz*
- (2) 4K @ 120Hz*
- (3) QHD @ 120Hz*
- (1) QHD @ 360Hz*

Dock Connectors

1 x HDMI 2.1, 2 x DisplayPort 1.4, 1 x Thunderbolt 4, 1 x USB-C 3.2 Gen 2 DisplayPort

Technical limitations

*Requires DisplayPort 1.4 support with Display Stream Compression (DSC).

Bluetooth required for HP Quick Connect. HP Quick Connect available on select HP notebooks.

Maximum resolution and display support is dependent on the maximum capability of the notebook.

Thunderbolt Hosts:

Maximum of (4) displays with maximum resolution of 5K@ 30Hz running Thunderbolt host.

Maximum resolution possible is dual 8K displays @ 60Hz running Thunderbolt host or running a non-Thunderbolt host in high resolution mode @30Hz

Non-Thunderbolt hosts:

The highest resolution for dual displays running a non-Thunderbolt host in multi-function mode is

(1) 5K dual cable (using both DP ports) +(1) 4K on USB-C DP port

Non-Thunderbolt hosts support (3) displays with a maximum resolution of (2) 5K single cable + (1) 4K UHD @ 60 Hz in high resolution mode. In multi-function mode the maximum resolution for (3) displays is (2) 5K single cable @ 30Hz + (1) 4K UHD @ 30Hz.

Docking station model name

HP USB-C™ 100W G6 Dock

Total number of supported displays (incl.the notebook)

3

Max. resolutions supported

- (1) 4K @120hz*
- (2) 4K @120hz*
- (3) 4K @60hz*



Dock Connectors

1 x HDMI 2.1, 2 x DisplayPort 1.4

Technical limitations

*Requires DisplayPort 1.4 support with Display Stream Compression (DSC).

Bluetooth required for HP Quick Connect. HP Quick Connect available on select HP notebooks.

Maximum resolution and display support is dependent on the maximum capability of the notebook.

Highest resolution with dual displays is two 8K@ 30Hz host in High Resolution mode.

Three maximum displays supported are two 5K@ 30 Hz on DP ports plus one 4K UHD@ 30 Hz on HDMI in Multi-function mode.

The highest resolution for a non-Thunderbolt host in Multi-function mode is a single 5K dual cable (using both DP ports) + (1) 4K on HDMI port.



STORAGE AND DRIVES

Storage

2 TB PCIe® Gen5 NVMe™ SSD Value ⁹

2 TB PCIe® Gen5x4 NVMe™ Self Encrypted OPAL2 SSD ⁹

2 TB PCIe® Gen5x4 NVMe™ SSD ⁹

1 TB PCIe® Gen5 NVMe™ SSD Value ⁹

1 TB PCIe® Gen5x4 NVMe™ Self Encrypted OPAL2 SSD ⁹

1 TB PCIe® Gen5x4 NVMe™ SSD ⁹

1 TB PCIe® NVMe™ SSD Value ⁹

512 GB PCIe® Gen5 NVMe™ Self Encrypted OPAL2 SSD Value ⁹

512 GB PCIe® Gen5 NVMe™ SSD Value ⁹

512 GB PCIe® NVMe™ SSD Value ⁹

⁹. For storage drives, GB = 1 billion bytes. TB = 1 trillion bytes. Actual formatted capacity is less. Up to 32 GB is reserved for system recovery software.



MEMORY

Maximum Memory

64GB LPDDR5X-9600 MT/s (onboard)

Memory

64GB LPDDR5X-9600 MT/s (onboard)

64GB LPDDR5X-8533 MT/s (onboard)

32GB LPDDR5X-9600 MT/s (onboard)

32GB LPDDR5X-8533 MT/s (onboard)

24GB LPDDR5X-8533 MT/s (onboard)

16GB LPDDR5X-8533 MT/s (onboard)

Memory Slots

No memory slots. Memory soldered down.

System runs at 9600 MT/s

Supports Dual Channel Memory.

Memory is non-accessible / non-upgradeable.



NETWORKING /COMMUNICATIONS

Items below may be optional.

WLAN

Intel® BE211 Wi-Fi 7 Bluetooth® 6.0 vPro® WW WLAN ¹⁰

Intel® BE211 Wi-Fi 7 Bluetooth® 6.0 non-vPro® WW WLAN ¹⁰

WWAN

HP 5G Sub-6 CAT19 ¹¹

HP 5G Sub-6 CAT19 HP Go Solution ¹¹

MTK T900 5G R18 Sub-6 CAT20 ¹¹

MTK T900 5G R18 Sub-6 CAT20 HP Go ¹¹

LPWAN

HP RW220-GL LTE (Low Power) (CAT-1bis) ¹²

NFC

NFC Mirage WNC XRAV-1

Miracast

Native Miracast Support ¹³

10. Wireless access point and Internet service required and sold separately. Availability of public wireless access points limited. Wi-Fi 7 (802.11BE) functionality requires compatible Windows OS, select Intel® processor, and a Wi-Fi 7 router, sold separately. Wi-Fi 7 is backwards compatible with prior 802.11 specs. Available in countries where Wi-Fi 7 is supported. The specification for 802.11BE is a draft specification and is not final. If the final specification differs from the draft specification, it may affect the ability of the device to communicate with other 802.11BE devices.

11. 5G module is optional. WWAN-ready configuration must be selected at purchase to add WWAN at a later date. Module designed for 5G NR NSA (non-standalone) networks as carriers deploy Evolved-Universal Terrestrial Radio Access New Radio Dual Connectivity (ENDC) with both 100Mhz of 5G NR and LTE channel bandwidth, using 256QAM 4x4 as defined by 3GPP. Module requires activation and separately purchased service contract. Check with service provider for coverage and availability in your area. Data connection, upload and download speeds will vary due to network, location, environment, network conditions, and other factors. Backwards compatible to 4G LTE and 3G HSPA technologies. 5G module planned to be available in select platforms and select countries, where



carrier supported.

12. LPWAN (also called Mobile Narrowband) supports HP Protect & Trace with Wolf Connect service through the subscription term, but does not support mobile broadband use.

13. Miracast is a wireless technology your PC can use to project your screen to TVs, projectors, and streaming.



AUDIO/MULTIMEDIA

Audio

Audio by Poly Studio

4 Integrated stereo speakers

Discrete Amplifiers

2 Integrated dual array microphone

AI noise reduction

Speaker Power

1W / 8 ohm per speaker

Camera

5MP AI camera, IR camera

Sensors

Ambient Light Sensor ¹⁴

Color Sensor with Ambient Light Sensing

Fingerprint Sensor

Gyroscope

Hall Effect Sensor

HP Sure Platform

HP Tamper Lock

Inertial Measurement Unit Sensor

Thermal Sensor

[14. Ambient light sensor included with Sure View display configurations.](#)



KEYBOARDS/POINTING DEVICES/BUTTONS & FUNCTION KEYS

Keyboard

HP Premium Keyboard, spill-resistant, Backlit keyboard.

HP Premium Keyboard, spill-resistant, Privacy, Backlit keyboard

Pointing Device

Clickpad; Haptic Trackpad

Microsoft Precision Touchpad Default Gestures Support

Multi-touch gesture support

Function Keys

ESC - System information

F1 - Audio Mute

F2 - Volume Down

F3 - Volume Up

F4 - Mic Mute

F5 - Media (KB backlight for Brazilian)

F6 - Display Switching

F7 - Sure View (Snipping for non Sure view)

F8 - Brightness Down

F9 - Brightness up

F10 - Keyboard Backlight (Copilot for Brazilian)

F11 - Programmable Key(HP app)

F12 - Home

Power Button (with LED)

Insert

Delete

End

Microsoft Copilot¹⁵



Hidden Function Keys

Fn+R - Break, Fn+S - Sys Rq, Fn+C - Scroll Lock, Fn+Copilot - Context Menu

15. Copilot+ in Windows requires Windows 11. Some features require an NPU. Timing of feature delivery and availability varies by market and device. Requires Microsoft account to log in. Where Microsoft in Windows is not available, the Copilot key will lead to the Bing search engine. See aka.ms/copilotpluspcs



SOFTWARE AND SECURITY

Application Software

Buy Microsoft Office (Sold Separately) ¹⁶

Edge Customization

HP Connection Optimizer

HP Hotkey Support

HP IQ ¹⁷

HP Notifications

HP PC Hardware Diagnostics UEFI

HP PC Hardware Diagnostics Windows

HP Privacy Settings

HP Services Scan ¹⁸

HP Smart Support ¹⁹

HP Support Assistant ²⁰

HSA Fusion for Commercial

HSA Telemetry for Commercial

HP app (BNB, MWS, SFF & TWR) or HP app with Multicamera³ support (AIO & Mini) ²¹

Poly Lens ²²

Manageability Features

HP Client Catalog (download) ²³

HP Client Management Script Library (download) ²⁴

HP Cloud Recovery ²⁵

HP Connect for Microsoft Endpoint Manager ²⁶

HP Driver Packs (download) ²⁷

HP Image Assistant (download) ²⁸

HP Manageability Integration Kit (download) ²⁹

HP Patch Assistant (download) ³⁰

HP Power Manager with Battery Health Manager (download) ³¹

Security Features

Secured-Core PC Enable ³²



Windows Hello Enhanced Sign-In Security (ESS)

HP Wolf Security for Business³³ which includes:

HP Sure Admin³⁴

HP Sure Click³⁵

HP Sure Recover³⁶

HP Sure Run³⁷

HP Sure Sense³⁸

HP Sure Start³⁹

HP Tamper Lock⁴⁰

Security- TPM

Model

Nuvoton NPCT760HAEYX

Firmware Version

7.2.4.1

TCG

TCG TPM 2.0

FIPS 140-3 Compliant

Yes

Model

STMicro ST33KTPM2X32DKG9

Firmware Version

9.257

TCG

TCG TPM 2.0

FIPS 140-3 Compliant

Yes



BIOS

Absolute Persistence Module ⁴¹

HP BIOS Update via Network

HP BIOSphere ⁴²

HP Secure Erase ⁴³

HP DriveLock & Automatic DriveLock

IPv6 Support

Yes

FirstNet Certified

Yes

Does the BIOS implement the ISO/IEC 19678:2015 (formerly NIST 800-147) guidelines?

Yes

UEFI version

2.9

Class

3

16. Microsoft 365 sold separately and requires Internet access for activation.

17. HP IQ delivery app is preloaded on select HP PCs; it will be automatically updated to the future featured HP IQ application if you have auto updates enabled in Windows or will be available for download from the Microsoft Store. The future featured HP IQ app uses artificial intelligence. Features vary by configuration. For complete details see https://support.hp.com/us-en/document/ish_13696672-13696717-16.

18. HP Services Scan automatically collects the telemetry necessary upon initial boot of the product to deliver device-level configuration data and health insights and is available preinstalled on select products, thru HP Factory Configuration Services; or it can be downloaded. For more information about how to enable HP Smart Support or for download, please visit <http://www.hp.com/smart-support>.

19. HP Smart Support automatically collects the telemetry necessary upon initial boot of the product to deliver device-level configuration data and health insights and is available preinstalled on select products, thru HP Factory Configuration Services; or it



can be downloaded. For more information about how to enable HP Smart Support or for download, please visit

<http://www.hp.com/smart-support>.

20. HP Support Assistant is available on Windows. For more information, please visit <http://www.support.hp.com/help/hp-support-assistant>

21. HP app requires Windows 10 or higher OS.

22. Poly Lens Desktop requires a Windows OS.

23. HP Client Catalog not preinstalled, however available for download at (<https://www.hp.com/us-en/solutions/client-management-solutions.html>).

24. HP Client Management Script Library (<https://www.hp.com/us-en/solutions/client-management-solutions.html#tab=manageability-tools>).

25. HP Cloud Recovery is available for Z by HP, HP Elite and Pro desktops and laptops PCs with Intel® or AMD processors and requires an open, network connection. Note: You must back up important files, data, photos, videos, etc. before use to avoid loss of data. Detail, please refer to: <https://support.hp.com/us-en/document/c05115630>.

26. HP Connect for Microsoft Endpoint Manager is available from the Azure Market Place for HP Pro, Elite, Z and Point-of-Sale PCs managed with Microsoft Endpoint Manager. Subscription to Microsoft Endpoint Manager required and sold separately. Network connection required.

27. HP Driver Packs not preinstalled, however available for download at <http://www.hp.com/go/clientmanagement>.

28. HP Image Assistant not preinstalled, however available for download at (<https://ftp.ext.hp.com/pub/caps-softpaq/cmit/HPIA.html>)

29. HP Manageability Integration Kit can be downloaded from <http://www.hp.com/go/clientmanagement>.

30. HP Patch Assistant available on select HP PCs with the HP Manageability Kit that are managed through Microsoft System Center Configuration Manager. HP Manageability Integration Kit can be downloaded from <http://www8.hp.com/us/en/ads/clientmanagement/overview.html>.

31. HP Power Manager with Battery Health can be downloaded by entering your system information here: https://support.hp.com/in-en/document/ish_4449597-3519507-16.

32. Secured-Core PC Enable requires an Intel® vPro®, AMD Ryzen™ Pro processor or Qualcomm® processor with SD850 or higher and requires 8 GB or more system memory. Secured-core PC is enabled from the factory.

33. HP Wolf Security for Business requires Windows 10 or 11 (Pro or Home) or higher, includes various HP security features and is available on HP X, Ultra, Pro, Elite, Engage and Workstation products. See product details for included security features.

34. HP Sure Admin requires HP G8 or newer platforms, Windows 10 or higher, HP BIOS, HP Manageability Kit or KMS Service from <http://www.hp.com/go/clientmanagement> and HP Sure Admin Local Access Authenticator

35. HP Sure Click requires Windows 10 Pro or higher or Enterprise. See https://bit.ly/2PrLT6A_SureClick for complete details.

36. HP Sure Recover is available on select HP PCs and requires Windows 10 or 11 and an open network connection. You must back up important files, data, photos, videos, etc. before using HP Sure Recover to avoid loss of data. HP Sure Recover Gen6 with Embedded



Reimaging is an optional feature on select HP PCs which requires Windows 10 or 11 must be configured at purchase. You must back up important files, data, photos, videos, etc. before use to avoid loss of data.

37. HP Sure Run is available on select HP PCs and requires Windows 10 and higher.

38. HP Sure Sense is available on select HP PCs with Windows 10 Pro, Windows 10 Enterprise, Windows 11 Pro, or Windows 11 Enterprise OS.

39. HP Sure Start is available on select HP PCs and requires Windows 10 and higher

40. HP Tamper Lock can be Enabled/disabled by customers or IT administrator with administrator authority.

41. Absolute Persistence firmware module is shipped turned off and can only be activated with the purchase a license subscription and full activation of the software agent. License subscriptions can be purchased for terms ranging multiple years. Service is limited, check with Absolute for availability outside the U.S. Certain conditions apply. For full details visit:

<https://www.absolute.com/about/legal/agreements/absolute/>.

42. HP BIOSphere features may vary depending on the platform and configuration.

43. HP Secure Erase implements the methods outlined in the National Institute of Standards and Technology Special.



POWER

Power supply availability may vary by country.

Battery is internal and replaceable by customer. Serviceable by warranty

Higher wattage adapter is recommended for best performance and fastest charging.

Power Supply

100W Wall Mount USB Type-C® GaN Halogen Free AC power adapter

65W Wall Mount USB Type-C® GaN Halogen Free AC power adapter

65W Standard USB Type-C® GaN AC power adapter

Battery

HP Long Life 3 cell, 56Wh Polymer

HP Long Life 6 cell, 68Wh Polymer

Battery Recharge Time

Supports battery HP Fast Charge: approximately 50% in 30 minutes ⁴⁴

Power Cord

3-wired plug- 1.0m for standard type adapter

Battery life

MM30: Up to 21 hours with 68Whr battery (Intel Core Ultra 5 335, UMA graphic, brightness set to 250nits on a 14-inch WUXGA 400nits LP LCD display, 16GB LPDDR5X memory, 512GB SSD) ⁴⁵

Teams 3x3: Up to 15 hours 15 minutes with 68Whr battery (Intel Core Ultra X7 358H, UMA graphic, brightness set to 150nits on a 14-inch WUXGA 400nits LP LCD display, 32GB LPDDR5X memory, 512GB SSD) ⁴⁶

Web Browsing: Up to 25 hours 30 minutes with 68Whr battery (Intel Core Ultra X7 358H, UMA graphic, brightness set to 150nits on a 14-inch WUXGA 400nits LP LCD display, 32GB LPDDR5X memory, 512GB SSD) ⁴⁷

44. Recharges your battery up to 50% within 30 minutes when the system is off or in standby mode. Power adapter minimum of 65 watts required for battery capacities 56Whr or less. Power adapter minimum of 100 watts required for battery capacities greater than 56Whr and less than 83Whr. Power adapter minimum of 120 watts required for battery capacities greater than 83Whr and less than 100Whr. After charging has reached 50% capacity, charging will return to normal. Charging time may vary +/-10% due to System tolerance.



45. Test configuration: MobileMark 30 battery life will vary depending on various factors including product model, configuration, loaded applications, features, use, wireless functionality, and power management settings. The maximum capacity of the battery will naturally decrease with time and usage. See <http://www.bapco.com> for additional details.
46. Test configuration: HP factory image, balanced power mode with Windows Studio Effects on. Teams 3x3 conferencing battery life will vary depending on various factors including product model, configuration, loaded applications, features, use, wireless functionality, and power management settings. The maximum capacity of the battery will naturally decrease with time and usage.
47. Test configuration: HP factory image. Microsoft web browsing battery life will vary depending on various factors including product model, configuration, loaded applications, features, use, wireless functionality, and power management settings. The maximum capacity of the battery will naturally decrease with time and usage (CER Test Methodology).
-



WEIGHT & DIMENSIONS

Weight will vary by configuration. Does not include power adapter.

Front height measurement is near the front edge where the mechanical chassis taper begins. Back height measurement is near the rear edge where the mechanical chassis taper ends.

Product Weight

Starting at 0.999 kg (2.202 lb) with 56.00 Wh battery

Product Dimensions (w x d x h)⁴⁸

Width: 312.70 (12.31 in)

Depth: 217.00 mm (8.54 in)

Height Front: 7.9 mm (0.31 in) - 7.95 mm (0.31 in)

Height Rear: 13.15 mm (0.52 in) - 14.35 mm (0.56 in)

Maximum Height 15.95 mm (0.63 in) - 17.15 mm (0.68 in)

Packaging and Pallet Dimensions

Product packaging size varies based on options chosen. Please contact your HP representative for your packaging size details. For detailed packaging information, access the [HP Commercial Notebooks Packaging Guide](#).

48. Typical dimension. Actual dimension may vary +/- 0.5mm. Height may vary based on configuration. Maximum Height does not include Rubber feet.



PORTS/SLOTS

Left side

2 x Thunderbolt™ 4 with USB Type-C® 40Gbps signaling rate (USB Power Delivery, DisplayPort™ 2.1) ⁴⁹

1 x HDMI 2.1

1 x headphone/mic combo jack

Right side

1 x USB Type-C® 10Gbps signaling rate (USB Power Delivery, DisplayPort™ 1.4)

1 x USB Type-A 5Gbps signaling rate (Powered)

1 x Nano SIM card slot (Optional)

1 x Nano Security Slot

⁴⁹ USB 20Gbps signaling rate is not available with Thunderbolt™ 4. Actual throughput may vary.



ENVIRONMENTAL DATA

| | | | | |
|--------------------|---|--|---------------------|---------------------|
| Environmental Data | Eco-Label Certifications & Declarations | <p>This product has received or is in the process of being certified to the following approvals and may be labeled with one or more of these marks:</p> <ul style="list-style-type: none"> • IT ECO declaration • US ENERGY STAR® • US Federal Energy Management Program (FEMP) • EPEAT® Gold registered in the United States. See http://www.epeat.net for registration status in your country. • TCO • China Energy Conservation Program (CECP) • China State Environmental Protection Administration (SEPA) • Taiwan Green Mark • Korea Eco-label • Japan PC Green label* | | |
| | Sustainable Impact Specifications | <ul style="list-style-type: none"> • Product Carbon Footprint • At least 25% ocean bound plastic in the Speaker (part(s))¹ • At least 30% post-consumer recycled plastic² • At least 85% recycled metal³ • External Power Supply 90% Efficiency • Low Halogen⁴ • 100% of HP paper-based packaging is from recycled or certified sustainable sources⁵ • Bulk packaging available • Outside Box and corrugated cushions are 100% sustainably sourced and recyclable • Molded Paper Pulp Cushion inside box is 100% sustainably sourced and recyclable | | |
| | System Configuration | <p>The configuration used for the Energy Consumption and Declared Noise Emissions data for the Notebook model is based on a "Typically Configured Notebook".</p> | | |
| | Energy Consumption (in accordance with US ENERGY STAR® test method) | 115VAC, 60Hz | 230VAC, 50Hz | 100VAC, 50Hz |
| | Normal Operation (Sort idle) | 4.39 W | 4.77 W | 4.24 W |
| | Normal Operation (Long idle) | 0.73 W | 0.68 W | 0.74 W |



QuickSpecs

HP EliteBook X G2i 14 inch Notebook Next Gen AI PC

| | | | |
|--|--|---|---------------------|
| Sleep | 0.73 W | 0.68 W | 0.74 W |
| Off | 0.3 W | 0.31 W | 0.31 W |
| | <p>Note: Energy efficiency data listed is for an ENERGY STAR® compliant product if offered within the model family. HP computers marked with the ENERGY STAR® Logo are compliant with the applicable U.S. Environmental Protection Agency (EPA) ENERGY STAR® specifications for computers. If a model family does not offer ENERGY STAR® compliant configurations, then energy efficiency data listed is for a typically configured PC featuring a hard disk drive, a high efficiency power supply, and a Microsoft Windows® operating system.</p> | | |
| Heat Dissipation* | 115VAC, 60Hz | 230VAC, 50Hz | 100VAC, 50Hz |
| Normal Operation (Short idle) | 15 BTU/hr | 16 BTU/hr | 15 BTU/hr |
| Normal Operation (Long idle) | 2 BTU/hr | 2 BTU/hr | 3 BTU/hr |
| Sleep | 2 BTU/hr | 2 BTU/hr | 3 BTU/hr |
| Off | 1 BTU/hr | 1 BTU/hr | 1 BTU/hr |
| | <p>*NOTE: Heat dissipation is calculated based on the measured watts, assuming the service level is attained for one hour.</p> | | |
| Declared Noise Emissions (in accordance with ISO 7779 and ISO 9296) | Sound Power (L_{WA,d}, bels) | Sound Pressure (L_{pAm}, decibels) | |
| Typically Configured - Idle | 2.2 | 14 | |
| Fixed Disk - Random writes | 2.2 | 15 | |
| Active Mode | 2.7 | 26 | |
| Longevity and Upgrading | <p>This product can be upgraded, possibly extending its useful life by several years. Upgradeable features and/or components contained in the</p> <p>Spare parts are available throughout the warranty period and or for up to “5” years after the end of production.</p> | | |



| | | | | |
|--|-------------------------------|--|-------------------|-------|
| | Additional Information | <ul style="list-style-type: none"> This product is in compliance with the Restrictions of Hazardous Substances (RoHS) directive - 2011/65/EC. This HP product is designed to comply with the Waste Electrical and Electronic Equipment (WEEE) Directive - 2002/96/EC. This product is in compliance with California Proposition 65 (State of California; Safe Drinking Water and Toxic Enforcement Act of 1986). This product is in compliance with the IEEE 1680 (EPEAT) standard at the Gold level, see www.epeat.net Plastics parts weighing over 25 grams used in the product are marked per ISO11469 and ISO1043. This product is 94.0% recycle-able when properly disposed of at end of life. | | |
| | Packaging Materials | External: | PAPER/Corrugated | 230 g |
| | | | PAPER/Molded Pulp | 88 g |
| | | | PAPER/Paper | 25 g |
| | | The plastic packaging material contains at least 0% recycled content. | | |
| | | The corrugated paper packaging materials contains at least 50% recycled content. | | |
| | RoHS Compliance | <p>HP Inc. complies fully with materials regulations. We were among the first companies to extend the restrictions in the European Union (EU) Restriction of Hazardous Substances (RoHS) Directive to our products worldwide through the HP GSE. HP has contributed to the development of related legislation in Europe, as well as China, India, and Vietnam.</p> <p>We believe the RoHS directive and similar laws play an important role in promoting industry-wide elimination of substances of concern. We have supported the inclusion of additional substances—including PVC, BFRs, and certain phthalates—in future RoHS legislation that pertains to electrical and electronics products.</p> <p>We met our voluntary objective to achieve worldwide compliance with the new EU RoHS requirements for virtually all relevant products by July 2013, and we will continue to extend the scope of the commitment to include further restricted substances as regulations continue to evolve.</p> <p>To obtain a copy of the HP RoHS Compliance Statement, see HP RoHS position statement.</p> | | |



| | | |
|--|------------------------------|--|
| | <p>Material Usage</p> | <p>This product does not contain any of the following substances in excess of regulatory limits (refer to the HP General Specification for the Environment at https://h20195.www2.hp.com/v2/GetDocument.aspx?docname=c05998906):</p> <ul style="list-style-type: none"> • Asbestos • Certain Azo Colorants • Certain Brominated Flame Retardants - may not be used as flame retardants in plastics • Cadmium • Chlorinated Hydrocarbons • Chlorinated Paraffins • Bis(2-Ethylhexyl) phthalate (DEHP) • Benzyl butyl phthalate (BBP) • Dibutyl phthalate (DBP) • Diisobutyl phthalate (DIBP) • Formaldehyde • Halogenated Diphenyl Methanes • Lead carbonates and sulfates • Lead and Lead compounds • Mercuric Oxide Batteries • Nickel - finishes must not be used on the external surface designed to be frequently handled or carried by the user. • Ozone Depleting Substances • Polybrominated Biphenyls (PBBs) • Polybrominated Biphenyl Ethers (PBBEs) • Polybrominated Biphenyl Oxides (PBBOs) • Polychlorinated Biphenyl (PCB) • Polychlorinated Terphenyls (PCT) • Polyvinyl Chloride (PVC) - except for wires and cables, and certain retail packaging has been voluntarily removed from most applications. • Radioactive Substances • Tributyl Tin (TBT), Triphenyl Tin (TPT), Tributyl Tin Oxide (TBTO) |
|--|------------------------------|--|

| | | |
|--|--|--|
| | <p>Packaging Usage</p> | <p>HP follows these guidelines to decrease the environmental impact of product packaging:</p> <ul style="list-style-type: none"> • Eliminate the use of heavy metals such as lead, chromium, mercury and cadmium in packaging materials. • Eliminate the use of ozone-depleting substances (ODS) in packaging materials. • Design packaging materials for ease of disassembly. • Maximize the use of post-consumer recycled content materials in packaging materials. • Use readily recyclable packaging materials such as paper and corrugated materials. • Reduce size and weight of packages to improve transportation fuel efficiency. • Plastic packaging materials are marked according to ISO 11469 and DIN 6120 standards. |
| | <p>End-of-life Management and Recycling</p> | <p>HP offers end-of-life HP product return and recycling programs in many geographic areas. To recycle your product, please go to: https://h20195.www2.hp.com/V2/GetDocument.aspx?docname=c05403198 or contact your nearest HP sales office. Products returned to HP will be recycled, recovered or disposed of in a responsible manner.</p> <p>The EU WEEE directive (2002/95/EC) requires manufacturers to provide treatment information for each product type for use by treatment facilities. This information (product disassembly instructions) is posted on the Hewlett Packard web site at: HP Product Disassembly Instruction Website. These instructions may be used by recyclers and other WEEE treatment facilities as well as HP OEM customers who integrate and re-sell HP equipment.</p> |

| | | |
|--|--|--|
| | <p>HP, Inc. Corporate Environmental Information</p> | <p>For more information about HP's commitment to the environment:</p> <ul style="list-style-type: none"> • Sustainable Impact Report <ul style="list-style-type: none"> ○ https://h20195.www2.hp.com/v2/GetDocument.aspx?docname=c06040843 • Eco-label certifications <ul style="list-style-type: none"> ○ https://www.hp.com/us-en/sustainable-impact/document-reports.html#filters_documents_reports=-document_type-type_energy_star,type_epeat,type_tcoISO • ISO 14001 certificates <ul style="list-style-type: none"> ○ https://h20195.www2.hp.com/v2/GetDocument.aspx?docname=c04777932 |
| | <p>Footnotes</p> | <ol style="list-style-type: none"> 1. Percentage of ocean-bound plastic contained in each component varies by product. Ocean Bound plastic is expressed as a percentage of the total weight plastic. Ocean Bound plastic is based on the definition set by the UL2809 standard. 2. Recycled plastic is expressed as a percentage of the total weight plastic. Post-consumer recycled is based on the definition set in the EPEAT standard for computers, IEEE 1680.1-2018 standard. 3. Recycled metal is expressed as a percentage of the total weight of the metal according to ISO 14021 definitions for metal parts over 25 grams. 4. External power supplies, WWAN modules, power cords, cables and peripherals excluded. Service parts obtained after purchase may not be Low Halogen. 5. HP paper and fiber-based packaging for PCs, displays, home and office print, and supplies is reported by suppliers as recycled or certified, with a minimum of 97% by volume verified by HP. Packaging is the box that comes with the product and all paper-based materials inside the box. Packaging for personal systems accessories and spare parts is not included. Plastic cushions are made from >90% recycled plastic. |



SERVICE AND SUPPORT ⁵⁰

1-year warranty and 90 day software limited warranty options depending on country. Batteries have a default one year limited warranty. Refer to <http://www.hp.com/support/batterywarranty/> for additional battery information. On-site service and extended coverage is also available. HP Care Pack Services are optional extended service contracts that go beyond the standard limited warranties. To choose the right level of service for your HP product, use the HP Care Pack Services Lookup Tool at: <http://www.hp.com/go/cpc>.

50. HP Care Packs are sold separately. Service levels and response times for HP Care Packs may vary depending on your geographic location. Service starts on date of hardware purchase. Restrictions and limitations apply. For details, visit <http://www.hp.com/go/cpc>. HP services are governed by the applicable HP terms and conditions of service provided or indicated to Customer at the time of purchase. Customer may have additional statutory rights according to applicable local laws, and such rights are not in any way affected by the HP terms and conditions of service or the HP Limited Warranty provided with your HP Product.



SYSTEM UNIT

| | |
|---|---|
| Nominal Operating Voltage | 20.0 V |
| Max Operating Power | UMA < 100 W |
| Temperature | |
| Operating | 0° to 35° C (32° to 95° F) System performance may be reduced above 32°C (89.6°F) |
| Non - operating | -20° to 60° C (-4° to 140° F) System performance may be reduced above 32°C (89.6°F) |
| Relative Humidity | |
| Operating | 10% to 90% (non-condensing) |
| Non - operating | 5% to 95%, 38.7° C (101.6° F) maximum wet bulb temperature |
| Shock | |
| Operating | 40 G, 2 ms, half-sine |
| Non - operating | 240 G, 2 ms, half-sine |
| Random Vibration | |
| Operating | 1.043 grms |
| Non - operating | 3.500 grms |
| Altitude(unpressurized) | |
| Operating | 3,048 m (10,000 ft) |
| Non - operating | 12,192 m (40,000 ft) |
| Industry Standard Certifications | |
| Regulatory Model Number | HSN-I65C-4 |
| CSA/UL 62368-1 | Yes |
| ENERGY STAR® 1 | Yes |
| FCC/ICES/CISPR/VCCI | Yes |
| CE MARKING | Yes |
| GS Mark | No |
| China CCC/SRRC/CEL | Yes |
| Taiwan BSMI/NCC | Yes |
| Korea KCC/KC/KES | Yes |
| Ukraine NSoC/TEC | Yes |
| EAEU Compliance | Yes |



| | |
|---|---|
| Saudi Arabian Compliance | Yes |
| TCO | Yes |
| EPEAT Gold ² | Yes |
| Low Blue Light | Yes |
| WW RoHS | Yes |
| CECP | No |
| | These are requirements from the Category PM, which usually occur after RTP. At this stage, no requests have been received yet. |
| Medical EMC: IEC 60601-1-2:2014 EN60601-1-2: 2015 | Yes |
| SEPA | No |
| | These are requirements from the Category PM, which usually occur after RTP. At this stage, no requests have been received yet. |
| MIL - STD Testing ³ | 810H |

1. Configurations that are ENERGY STAR® qualified are identified as ENERGY STAR on HP websites and on <http://www.energystar.gov>
2. Based on US EPEAT® registration according to EPEAT standards. EPEAT® status varies by country. Visit <http://www.epeat.net> for more information.
3. MIL STD testing is not intended to demonstrate fitness for U.S. Department of Defense contract requirements or for military use. Test results are not a guarantee of future performance under these test conditions. Accidental damage requires an optional HP Accidental Damage Protection Care Pack.



DISPLAYS

Actual brightness will be lower with touchscreen or HP Sure View.

Availability may vary by country

| | | |
|---|----------------------------------|----------------------------|
| 35.6 cm (14") diagonal, WUXGA (1920 x 1200), LCD, UWVA, Anti-Glare, Low Blue Light, 800 nits, sRGB 100%, Sure View 6¹ | Active Area | 301.590 x 188.500 mm (typ) |
| | Dimensions (W x H) | 306.890 x 197.900 mm (max) |
| | Weight | 230 g (max) |
| | Diagonal Size | 14 inch |
| | Surface Treatment | Anti-Glare |
| | Touch Enabled | No |
| | Contrast Ratio | 1500:1 (typ) |
| | Refresh Rate | 60Hz |
| | Brightness | 800 nits (typ) |
| | Pixel Resolution | RGB |
| | Pixel Resolution - Format | 1920x1200 (WUXGA) |
| | Aspect Ratio | 16:10 |
| | Backlight | Low Blue Light |
| | Color Gamut Coverage | sRGB 100% |
| | Color Depth | 8 |
| | Viewing Angle | 89/89/89/89 |
| Low Blue Light | Yes | |
| Power Consumption | EBL@150nits: 1.50 W (Max) | |

| | | |
|---|---------------------------|----------------------------|
| 35.6 cm (14") diagonal, WUXGA (1920 x 1200), LCD, UWVA, Touch on Panel, Anti-Glare, Low Blue Light, 800 nits, sRGB 100%, Sure View 6¹ | Active Area | 301.590 x 188.500 mm (typ) |
| | Dimensions (W x H) | 306.890 x 197.900 mm (max) |
| | Weight | 260 g (max) |
| | Diagonal Size | 14 inch |
| | Surface Treatment | Anti-Glare |
| | Touch Enabled | Yes |
| | Contrast Ratio | 1500:1 (typ) |
| | Refresh Rate | 60Hz |
| | Brightness | 800 nits (typ) |
| | Pixel Resolution | RGB |



QuickSpecs

HP EliteBook X G2i 14 inch Notebook Next Gen AI PC

| | |
|----------------------------------|---------------------------|
| Pixel Resolution - Format | 1920x1200 (WUXGA) |
| Aspect Ratio | 16:10 |
| Backlight | Low Blue Light |
| Color Gamut Coverage | sRGB 100% |
| Color Depth | 8 |
| Viewing Angle | 89/89/89/89 |
| Low Blue Light | Yes |
| Power Consumption | EBL@150nits: 1.90 W (Max) |

35.6 cm (14") diagonal, 3K (2880 x 1800), Tandem OLED, 120Hz (VRR), Direct Bonding Touch Screen, UWVA, BrightView, OLED+Low Blue Light, 700 nits, DCI-P3 100%

| | |
|----------------------------------|----------------------------|
| Active Area | 301.824 x 188.640 mm (typ) |
| Dimensions (W x H) | 305.450 x 197.720 mm (max) |
| Weight | 180 g (max) |
| Diagonal Size | 14 inch |
| Surface Treatment | BrightView |
| Touch Enabled | Yes |
| Contrast Ratio | 1000000:1 (typ) |
| Refresh Rate | 120Hz |
| Brightness | 700 nits (typ) |
| Pixel Resolution | RGB |
| Pixel Resolution - Format | 2880x1800 (3K) |
| Aspect Ratio | 16:10 |
| Backlight | OLED+LBL |
| Color Gamut Coverage | DCI-P3 100% |
| Color Depth | 8+2 FRC |
| Viewing Angle | 89/89/89/89 |
| Low Blue Light | Yes |
| Power Consumption | EBL@150nits: 3.70 W (Max) |

35.6 cm (14") diagonal, 3K (2880 x 1800), OLED, 120Hz (VRR), UWVA, Anti-Glare, OLED+Low Blue Light, 500 nits, DCI-P3 100%

| | |
|---------------------------|----------------------------|
| Active Area | 301.824 x 188.640 mm (typ) |
| Dimensions (W x H) | 305.450 x 197.720 mm (max) |
| Weight | 132 g (max) |
| Diagonal Size | 14 inch |
| Surface Treatment | Anti-Glare |



| | |
|----------------------------------|---------------------------|
| Touch Enabled | No |
| Contrast Ratio | 1000000:1 (typ) |
| Refresh Rate | 120Hz |
| Brightness | 500 nits (typ) |
| Pixel Resolution | RGB |
| Pixel Resolution - Format | 2880x1800 (3K) |
| Aspect Ratio | 16:10 |
| Backlight | OLED+LBL |
| Color Gamut Coverage | DCI-P3 100% |
| Color Depth | 8+2 FRC |
| Viewing Angle | 89/89/89/89 |
| Low Blue Light | Yes |
| Power Consumption | EBL@150nits: 4.20 W (Max) |

**35.6 cm (14") diagonal,
WUXGA (1920 x 1200), LCD,
UWVA, Touch on Panel, Anti-
Glare, WLED, 500 nits, sRGB
100%**

| | |
|----------------------------------|--|
| Active Area | 301.590 x 188.500 mm (typ.) |
| Dimensions (W x H) | 306.594 x 197.596 mm (max) |
| Weight | 220 g (max) |
| Diagonal Size | 14 inch |
| Surface Treatment | Anti-Glare |
| Touch Enabled | Yes |
| Contrast Ratio | 1500:1 (typ), 1200:1 (min.) |
| Refresh Rate | 60 (typ) |
| Brightness | 500 nits (typ) |
| Pixel Resolution | RGB |
| Pixel Resolution - Format | 1920x1200 (WUXGA) |
| Aspect Ratio | 16:10 |
| Backlight | WLED |
| Color Gamut Coverage | sRGB 100% |
| Color Depth | 8 |
| Viewing Angle | 89/89/89/89 |
| Low Blue Light | No |
| Power Consumption | EBL@150nits: 1.37 W (Max) EBL@200nits: 1.68 W (Max) |



QuickSpecs

HP EliteBook X G2i 14 inch Notebook Next Gen AI PC

| | | |
|--|----------------------------------|--|
| 35.6 cm (14") diagonal, WUXGA (1920 x 1200), LCD, UWVA, Anti-Glare, WLED+Low Blue Light, 400 nits, Low power, sRGB 100% | Active Area | 301.590 x 188.500 mm (typ) |
| | Dimensions (W x H) | 307.590 x 199.550 mm (max) |
| | Weight | 210 g (max) |
| | Diagonal Size | 14 inch |
| | Surface Treatment | Anti-Glare |
| | Touch Enabled | No |
| | Contrast Ratio | 1200:1 (typ) |
| | Refresh Rate | 60 (typ) |
| | Brightness | 400 nits (typ) |
| | Pixel Resolution | RGB |
| | Pixel Resolution - Format | 1920x1200 (WUXGA) |
| | Aspect Ratio | 16:10 |
| | Backlight | WLED+Low Blue Light |
| | Color Gamut Coverage | sRGB 100% |
| | Color Depth | 8 |
| | Viewing Angle | 89/89/89/89 |
| | Low Blue Light | Yes |
| | Power Consumption | EBL@150nits: 1.29 W (Max) EBL@200nits: 1.66 W (Max) |

| | | |
|---|----------------------------------|----------------------------|
| 35.6 cm (14") diagonal, WUXGA (1920 x 1200), OLED, UWVA, Anti-Glare, OLED+Low Blue Light, 300 nits, DCI-P3 95% | Active Area | 301.824 x 188.640 mm (typ) |
| | Dimensions (W x H) | 301.824 x 198.020 mm (max) |
| | Weight | 174 g (max) |
| | Diagonal Size | 14 inch |
| | Surface Treatment | Anti-Glare |
| | Touch Enabled | No |
| | Contrast Ratio | 1000000:1 (typ) |
| | Refresh Rate | 60 Hz (typ) |
| | Brightness | 300 nits (typ) |
| | Pixel Resolution | RGB |
| | Pixel Resolution - Format | 1920x1200 (WUXGA) |
| | Aspect Ratio | 16:10 |
| | Backlight | OLED+LBL |



QuickSpecs

HP EliteBook X G2i 14 inch Notebook Next Gen AI PC

| | |
|-----------------------------|---------------------------|
| Color Gamut Coverage | DCI-P3 100% |
| Color Depth | 8 |
| Viewing Angle | 89/89/89/89 |
| Low Blue Light | Yes |
| Power Consumption | EBL@200nits: 2.70 W (Max) |

1. HP Sure View integrated privacy screen is an optional feature that must be configured at purchase and is designed to function in landscape orientation.
-



STORAGE

| | | |
|--|-------------------------|--|
| 2 TB PCIe® Gen5 NVMe™ SSD Value¹ | Form Factor | M.2 2280 |
| | Capacity | 2 TB |
| | NAND Type | Value |
| | Weight | 10g (0.02 lb) |
| | Interface | PCIe Gen5 NVMe |
| | Sequential Read | 10000 +/-10% |
| | Sequential Write | 8000 +/-10% |
| | Logical Blocks | 4000797360 |
| | Features | Pyrite 2.0; TRIM; L1.2 |
| | | Not all features are available in all versions |

| | | |
|---|-------------------------|--|
| 2 TB PCIe® Gen5x4 NVMe™ Self Encrypted OPAL2 SSD¹ | Form Factor | M.2 2280 |
| | Capacity | 2 TB |
| | NAND Type | Performance |
| | Weight | 10g (0.02 lb) |
| | Interface | PCIe Gen5x4 NVMe |
| | Sequential Read | 13500 +/-10% |
| | Sequential Write | 10000 +/-10% |
| | Logical Blocks | 4000797360 |
| | Features | TCG OPAL 2.0; TRIM; L1.2 |
| | | Not all features are available in all versions |

| | | |
|--|-------------------------|--|
| 2 TB PCIe® Gen5x4 NVMe™ SSD¹ | Form Factor | M.2 2280 |
| | Capacity | 2 TB |
| | NAND Type | Performance |
| | Weight | 10g (0.02 lb) |
| | Interface | PCIe Gen5x4 NVMe |
| | Sequential Read | 13500 +/-10% |
| | Sequential Write | 10000 +/-10% |
| | Logical Blocks | 4000797360 |
| | Features | Pyrite 2.0; TRIM; L1.2 |
| | | Not all features are available in all versions |



| | | |
|---|-------------------------|--|
| 1 TB PCIe® Gen5 NVMe™ SSD Value ¹ | Form Factor | M.2 2280 |
| | Capacity | 1 TB |
| | NAND Type | Value |
| | Weight | 10g (0.02 lb) |
| | Interface | PCIe Gen5 NVMe |
| | Sequential Read | 9500+/-10% |
| | Sequential Write | 7000 +/-10% |
| | Logical Blocks | 2000409264 |
| | Features | Pyrite 2.0; TRIM; L1.2 |
| | | Not all features are available in all versions |

| | | |
|--|-------------------------|--|
| 1 TB PCIe® Gen5x4 NVMe™ Self Encrypted OPAL2 SSD ¹ | Form Factor | M.2 2280 |
| | Capacity | 1 TB |
| | NAND Type | Performance |
| | Weight | 10g (0.02 lb) |
| | Interface | PCIe Gen5X4 NVMe |
| | Sequential Read | 13000 +/-10% |
| | Sequential Write | 9000 +/-10% |
| | Logical Blocks | 2000409264 |
| | Features | TCG OPAL 2.0; TRIM; L1.2 |
| | | Not all features are available in all versions |

| | | |
|---|-------------------------|--|
| 1 TB PCIe® Gen5x4 NVMe™ SSD ¹ | Form Factor | M.2 2280 |
| | Capacity | 1 TB |
| | NAND Type | Performance |
| | Weight | 10g (0.02 lb) |
| | Interface | PCIe Gen5X4 NVMe |
| | Sequential Read | 13000 +/-10% |
| | Sequential Write | 9000 +/-10% |
| | Logical Blocks | 2000409264 |
| | Features | Pyrite 2.0; TRIM; L1.2 |
| | | Not all features are available in all versions |



QuickSpecs

HP EliteBook X G2i 14 inch Notebook Next Gen AI PC

| | | |
|--|-------------------------|--|
| 1 TB PCIe® NVMe™ SSD Value ¹ | Form Factor | M.2 2280 |
| | Capacity | 1TB |
| | NAND Type | Value |
| | Weight | 10g (0.02 lb) |
| | Interface | PCIe NVMe |
| | Sequential Read | 3500 +/-10% |
| | Sequential Write | 2700 +/-10% |
| | Logical Blocks | 2000409264 |
| | Features | Pyrite 2.0; TRIM; L1.2 Not all features are available in all versions |

| | | |
|--|-------------------------|--|
| 512 GB PCIe® Gen5 NVMe™ Self Encrypted OPAL2 SSD Value ¹ | Form Factor | M.2 2280 |
| | Capacity | 512 GB |
| | NAND Type | Value |
| | Weight | 10g (0.02 lb) |
| | Interface | PCIe Gen5 NVMe |
| | Sequential Read | 9000 +/-10% |
| | Sequential Write | 6000 +/-10% |
| | Logical Blocks | 1000215216 |
| | Features | TCG OPAL 2.0; TRIM; L1.2 Not all features are available in all versions |

| | | |
|---|-------------------------|--|
| 512 GB PCIe® Gen5 NVMe™ SSD Value ¹ | Form Factor | M.2 2280 |
| | Capacity | 512 GB |
| | NAND Type | Value |
| | Weight | 10g (0.02 lb) |
| | Interface | PCIe Gen5 NVMe |
| | Sequential Read | 9000 +/-10% |
| | Sequential Write | 6000 +/-10% |
| | Logical Blocks | 1000215216 |
| | Features | Pyrite 2.0; TRIM; L1.2 Not all features are available in all versions |



| | | |
|--|-------------------------|------------------------|
| 512 GB PCIe® NVMe™ SSD Value ¹ | Form Factor | M.2 2280 |
| | Capacity | 512GB |
| | NAND Type | Value |
| | Weight | 10g (0.02 lb) |
| | Interface | PCIe NVMe |
| | Sequential Read | 3500 +/-10% |
| | Sequential Write | 1600 +/-10% |
| | Logical Blocks | 1000215216 |
| | Features | Pyrite 2.0; TRIM; L1.2 |

Not all features are available in all versions

1. For storage drives, GB = 1 billion bytes. TB = 1 trillion bytes. Actual formatted capacity is less. Up to 32 GB is reserved for system recovery software.



NETWORKING / COMMUNICATION

| | | |
|-----------------------------------|-------------------------------|--|
| Intel® BE211 Wi-Fi 7 | Wireless LAN Standards | IEEE 802.11a |
| Bluetooth® 6.0 non-vPro WW | | IEEE 802.11b |
| WLAN¹ | | IEEE 802.11g |
| | | IEEE 802.11n |
| | | IEEE 802.11ac |
| | | IEEE 802.11ax |
| | | IEEE 802.11be |
| | | IEEE 802.11d |
| | | IEEE 802.11e |
| | | IEEE 802.11h |
| | | IEEE 802.11i |
| | | IEEE 802.11k |
| | | IEEE 802.11r |
| | | IEEE 802.11v |
| | Interoperability | Wi-Fi certified |
| | Frequency Band | 802.11b/g/n/ax/be 2.402 - 2.482 GHz |
| | | 802.11a/n/ac/ax/be 5.15 - 5.25 GHz |
| | | 5.25 - 5.35 GHz |
| | | 5.47 - 5.725 GHz |
| | | 5.825 - 5.850 GHz |
| | | 5.955 - 6.415 GHz |
| | | 6.435 - 6.515 GHz |
| | | 6.535 - 6.875 GHz |
| | | 6.895 - 7.115 GHz |



| | |
|------------------------------------|--|
| Data Rates | <p>802.11b: 1, 2, 5.5, 11 Mbps</p> <p>802.11g: 6, 9, 12, 18, 24, 36, 48, 54 Mbps</p> <p>802.11a: 6, 9, 12, 18, 24, 36, 48, 54 Mbps</p> <p>802.11n: max 300Mbps</p> <p>802.11ac: 1733Mbps</p> <p>802.11ax: max 2.4Gbps</p> <p>802.11be: max 5.76Gbps</p> |
| Modulation | <p>Direct Sequence Spread Spectrum</p> <p>OFDM, BPSK, QPSK, CCK, 16-QAM, 64-QAM, 256-QAM, 1024QAM, 4096QAM</p> |
| Security | <ul style="list-style-type: none"> • WPA3 personal and enterprise including WPA2 transition mode. • 802.1X EAP-TLS, EAP-TTLS/MSCHAPv2, PEAPv0 -MSCHAPv2 (EAP-SIM, EAP-AKA, EAP-AKA') • 128-bit AES-CCMP, 256-bit AES-GCMP |
| Network Architecture Models | <p>Ad-hoc (Peer to Peer)</p> <p>Infrastructure (Access Point Required)</p> |
| Roaming | <p>IEEE 802.11 compliant roaming between access points</p> |
| Output Power | <ul style="list-style-type: none"> • 802.11b, 1Mbps : +17dBm minimum • 802.11g, 6Mbps : +16dBm minimum • 802.11a, 6Mbps : +17dBm minimum • 802.11n, MCS7(HT20) : +14dBm minimum • 802.11n, MCS7(HT40) : +13.5dBm minimum • 802.11ac MCS9(VHT20) : 13.5dBm minimum • 802.11ac MCS9(VHT40) : +13.5dBm minimum • 802.11ac MCS9(VHT80) : +12.5dBm minimum • 802.11ac MCS9(VHT160) : +10.5dBm minimum • 802.11ax MCS11(HE20)(6GHz) : +11.5dBm minimum • 802.11ax MCS11(HE40)(6GHz) : +7.5dBm minimum |



- 802.11ax MCS11(HE80)(6GHz) : +7.5dBm minimum
- 802.11ax MCS11(HE160)(6GHz) : +7.5dBm minimum
- 802.11be MCS13(EHT20)(6GHz) : +4dBm minimum
- 802.11be MCS13(EHT40)(6GHz) : +7dBm minimum
- 802.11be MCS13(EHT80)(6GHz) : +10dBm minimum
- 802.11be MCS13(EHT160)(6GHz) : +13dBm minimum
- 802.11be MCS13(EHT320)(6GHz) : +16dBm minimum

Power Consumption

Transmit mode 3.1 W
Receive mode 1.8 W
Idle mode (PSP) 180 mW (WLAN Associated)
Idle mode 50 mW (WLAN unassociated)
Connected Standby 10 mW
Radio disabled 8 mW

Power Management

ACPI and PCI Express compliant power management
802.11 compliant power saving mode

Receiver Sensitivity ²

802.11b, 1Mbps : -93.5dBm maximum
802.11b, 11Mbps : -85dBm maximum
802.11a/g, 6Mbps : -90.5dBm maximum
802.11a/g, 54Mbps : -72.5dBm maximum
802.11n, MCS0(HT20) : -90dBm maximum
802.11n, MCS7(HT20) : -71.5dBm maximum
802.11n, MCS0(HT40) : -88.5dBm maximum
802.11n, MCS7(HT40) : -68.5dBm maximum
802.11ac, MCS9(VHT20) : -88.5dBm maximum
802.11ac, MCS9(VHT40) : -65.5dBm maximum
802.11ac, MCS9(VHT80) : -60.5dBm maximum
802.11ac, MCS9(VHT160) : -58.5dBm maximum
802.11ax, MCS11(HE20)(6GHz) : -59.5dBm maximum
802.11ax, MCS11(HE40)(6GHz) : -56.5dBm maximum
802.11ax, MCS11(HE80)(6GHz) : -53.5dBm maximum



| | |
|-------------------------------------|--|
| | 802.11ax, MCS11(HE160)(6GHz) : -51.5dBm maximum |
| | 802.11be, MCS13(EHT20)(6GHz) : -55.5dBm maximum |
| | 802.11be, MCS13(EHT40)(6GHz) : -53.5dBm maximum |
| | 802.11be, MCS13(EHT80)(6GHz) : -51.5dBm maximum |
| | 802.11be, MCS13(EHT160)(6GHz) : -48.5dBm maximum |
| | 802.11be, MCS13(EHT320)(6GHz) : -45.5dBm maximum |
| Antenna Type | High efficiency antenna with spatial diversity Two embedded tri-band 2.4/5/6 GHz antennas are provided to the card to support WLAN MIMO communications and Bluetooth communications |
| Form Factor | PCI-Express M.2 MiniCard |
| Dimensions | Type 1216: 1.67 x 12.0 x 16.0 mm (0.07 x 0.47 x 0.63 inch) |
| Weight | 0.72g |
| Operating Voltage | 3.3v +/- 9% |
| | Integrated Bluetooth® specifications |
| Bluetooth® Specification | 4.0/4.1/4.2/5.0/5.1/5.2/5.3/5.4/6.0 Compliant |
| Frequency Band | 2402 to 2480 MHz |
| Number of Available Channels | Legacy : 0~79 (1 MHz/CH) BLE : 0~39 (2 MHz/CH) |
| Data Rates and Throughput | Bluetooth 4.x : 1Mbps (LE); 3Mbps (EDR) Bluetooth 5.x : 2Mbps (LE); 3Mbps (EDR) Bluetooth 6.0 : 2Mbps (LE); 3Mbps (EDR) |
| Transmit Power | The Bluetooth component shall operate as a Class I Bluetooth |



device with a maximum transmit power of +15.5 dBm for BR and +13dBm for EDR.

Power Consumption

Peak (Tx): 330 mW
Peak (Rx): 230 mW
Selective Suspend: 17 mW

**Bluetooth® Software
Supported Link Topology**

1. Microsoft Windows Bluetooth Software

Power Management

ACPI and PCI Express compliant power management
802.11 compliant power saving mode

Certifications

FCC (47 CFR) Part 15C/E, Section 15.247, 15.249, 15.407
ETSI 300 328, ETSI 301 893, ETSI 303 687

**Bluetooth® Profiles
Supported**

Bluetooth®4.1-ESR 5/6/7 Compliance
LE Link Layer Ping
LE Dual Mode
LE Link Layer
LE Low Duty Cycle Directed Advertising
LE L2CAP Connection Oriented Channels
Train Nudging & Interlaced Scan
Bluetooth®4.2 ESR08 Compliance
LE Secure Connection- Basic/Full
LE Privacy 1.2 - Link Layer Privacy
LE Privacy 1.2 - Extended Scanner Filter Policies
LE Data Packet Length Extension
FAX Profile (FAX)
Basic Imaging Profile (BIP)2
Headset Profile (HSP)
Hands Free Profile (HFP)
Advanced Audio Distribution Profile (A2DP)



Bluetooth®5.2
 ESR9/10 Compliance
 LE Advertisement Extensions
 Channel Selection Algo
 Limited High Duty Cycle Non-Connectable Advertising
 LE 2Mbps
 LE Long Range
 Bluetooth®5.3
 Host to Controller Encryption Key Control Enhancements
 Compliance to the latest Errata Sectipn 12.3 of Bluetooth®5.3
 specification
 Periodic Advertisement interval

**Intel® BE211 Wi-Fi 7
 Bluetooth® 6.0 vPro WW
 WLAN¹**

Wireless LAN Standards

IEEE 802.11a
 IEEE 802.11b
 IEEE 802.11g
 IEEE 802.11n
 IEEE 802.11ac
 IEEE 802.11ax
 IEEE 802.11be
 IEEE 802.11d
 IEEE 802.11e
 IEEE 802.11h
 IEEE 802.11i
 IEEE 802.11k
 IEEE 802.11r
 IEEE 802.11v

Interoperability

Wi-Fi certified

Frequency Band

802.11b/g/n/ax/be
 2.402 - 2.482 GHz



| | |
|-----------------------------|--|
| | 802.11a/n/ac/ax/be |
| | 5.15 - 5.25 GHz |
| | 5.25 - 5.35 GHz |
| | 5.47 - 5.725 GHz |
| | 5.825 - 5.850 GHz |
| | 5.955 - 6.415 GHz |
| | 6.435 - 6.515 GHz |
| | 6.535 - 6.875 GHz |
| | 6.895 - 7.115 GHz |
| Data Rates | 802.11b: 1, 2, 5.5, 11 Mbps 802.11g: 6, 9, 12, 18, 24, 36, 48, 54 Mbps 802.11a: 6, 9, 12, 18, 24, 36, 48, 54 Mbps 802.11n: max 300Mbps 802.11ac : 1733Mbps 802.11ax : max 2.4Gbps 802.11be : max 5.76Gbps |
| Modulation | Direct Sequence Spread Spectrum OFDM, BPSK, QPSK, CCK, 16-QAM, 64-QAM, 256-QAM, 1024QAM, 4096QAM |
| Security | <ul style="list-style-type: none">▪ WPA3 personal and enterprise including WPA2 transition mode.▪ 802.1X EAP-TLS, EAP-TTLS/MSCHAPv2, PEAPv0 -MSCHAPv2 (EAP-SIM, EAP-AKA, EAP-AKA')▪ 128-bit AES-CCMP, 256-bit AES-GCMP |
| Network Architecture | Ad-hoc (Peer to Peer) |
| Models | Infrastructure (Access Point Required) |
| Roaming | IEEE 802.11 compliant roaming between access points |
| Output Power | 802.11b, 1Mbps : +17dBm minimum |



802.11g, 6Mbps : +16dBm minimum
802.11a, 6Mbps : +17dBm minimum
802.11n, MCS7(HT20) : +14dBm minimum
802.11n, MCS7(HT40) : +13.5dBm minimum
802.11ac MCS9(VHT20) : 13.5dBm minimum
802.11ac MCS9(VHT40) : +13.5dBm minimum
802.11ac MCS9(VHT80) : +12.5dBm minimum
802.11ac MCS9(VHT160) : +10.5dBm minimum
802.11ax MCS11(HE20)(6GHz) : +11.5dBm minimum
802.11ax MCS11(HE40)(6GHz) : +7.5dBm minimum
802.11ax MCS11(HE80)(6GHz) : +7.5dBm minimum
802.11ax MCS11(HE160)(6GHz) : +7.5dBm minimum
802.11be MCS13(EHT20)(6GHz) : 11.5dBm
802.11be MCS13(EHT40)(6GHz) : 7.5dBm
802.11be MCS13(EHT80)(6GHz) : 7.5dBm
802.11be MCS13(EHT160)(6GHz) : 6.5dBm
802.11be MCS13(EHT320)(6GHz) : 4.5dBm

Power Consumption

Transmit mode 3.1 W
Receive mode 1.8 W
Idle mode (PSP) 180 mW (WLAN Associated)
Idle mode 50 mW (WLAN unassociated)
Connected Standby 10 mW
Radio disabled 8 mW

Power Management

ACPI and PCI Express compliant power management
802.11 compliant power saving mode

Receiver Sensitivity ²

802.11b, 1Mbps : -93.5dBm maximum
802.11b, 11Mbps : -85dBm maximum
802.11a/g, 6Mbps : -90.5dBm maximum
802.11a/g, 54Mbps : -72.5dBm maximum
802.11n, MCS0(HT20) : -90dBm maximum



802.11n, MCS7(HT20) : -71.5dBm maximum
 802.11n, MCS0(HT40) : -88.5dBm maximum
 802.11n, MCS7(HT40) : -68.5dBm maximum
 802.11ac, MCS9(VHT20) : -88.5dBm maximum
 802.11ac, MCS9(VHT40) : -65.5dBm maximum
 802.11ac, MCS9(VHT80) : -60.5dBm maximum
 802.11ac, MCS9(VHT160) : -58.5dBm maximum
 802.11ax, MCS11(HE20)(6GHz) : -59.5dBm maximum
 802.11ax, MCS11(HE40)(6GHz) : -56.5dBm maximum
 802.11ax, MCS11(HE80)(6GHz) : -53.5dBm maximum
 802.11ax, MCS11(HE160)(6GHz) : -51.5dBm maximum
 802.11be, MCS13(EHT20)(6GHz) : -55.5dBm maximum
 802.11be, MCS13(EHT40)(6GHz) : -53.5dBm maximum
 802.11be, MCS13(EHT80)(6GHz) : -51.5dBm maximum
 802.11be, MCS13(EHT160)(6GHz) : -48.5dBm maximum
 802.11be, MCS13(EHT320)(6GHz) : -45.5dBm maximum

| | |
|---------------------------------|--|
| Antenna Type | High efficiency antenna with spatial diversity Two embedded tri-band 2.4/5/6 GHz antennas are provided to the card to support WLAN MIMO communications and Bluetooth communications |
| Form Factor | PCI-Express M.2 MiniCard |
| Dimensions | Type 1216: 1.67 x 12.0 x 16.0 mm (0.07 x 0.47 x 0.63 inch) |
| Weight | 0.72g |
| Operating Voltage | 3.3v +/- 9% |
| Bluetooth® Specification | Integrated Bluetooth® specifications 4.0/4.1/4.2/5.0/5.1/5.2/5.3/5.4/6.0 Compliant |



| | |
|--|---|
| Frequency Band | 2402 to 2480 MHz |
| Number of Available Channels | Legacy : 0~79 (1 MHz/CH) BLE : 0~39 (2 MHz/CH) |
| Data Rates and Throughput | Bluetooth 4.x : 1Mbps (LE); 3Mbps (EDR) Bluetooth 5.x : 2Mbps (LE); 3Mbps (EDR) Bluetooth 6.0 : 2Mbps (LE); 3Mbps (EDR) |
| Transmit Power | The Bluetooth component shall operate as a Class I Bluetooth device with a maximum transmit power of +15.5 dBm for BR and +13dBm for EDR. |
| Power Consumption | Peak (Tx): 330 mW Peak (Rx): 230 mW Selective Suspend: 17 mW |
| Bluetooth® Software Supported Link Topology | 1.Microsoft Windows Bluetooth Software |
| Power Management | ACPI and PCI Express compliant power management 802.11 compliant power saving mode |
| Certifications | FCC (47 CFR) Part 15C/E, Section 15.247, 15.249, 15.407 ETSI 300 328, ETSI 301 893, ETSI 303 687 |
| Bluetooth® Profiles Supported | Bluetooth®4.1-ESR 5/6/7 Compliance LE Link Layer Ping LE Dual Mode LE Link Layer LE Low Duty Cycle Directed Advertising LE L2CAP Connection Oriented Channels Train Nudging & Interlaced Scan |



Bluetooth®4.2 ESR08 Compliance
LE Secure Connection- Basic/Full
LE Privacy 1.2 -Link Layer Privacy
LE Privacy 1.2 -Extended Scanner Filter Policies
LE Data Packet Length Extension
FAX Profile (FAX)
Basic Imaging Profile (BIP)2
Headset Profile (HSP)
Hands Free Profile (HFP)
Advanced Audio Distribution Profile (A2DP)
Bluetooth®5.2
ESR9/10 Compliance
LE Advertisement Extensions
Channel Selection Algo
Limited High Duty Cycle Non-Connectable Advertising
LE 2Mbps
LE Long Range
Bluetooth®5.3
Host to Controller Encryption Key Control Enhancements
Compliance to the latest Errata Section 12.3 of Bluetooth® 5.3 specification
Periodic Advertisement interval

1. Wireless access point and Internet service required and sold separately. Availability of public wireless access points limited. Wi-Fi 7 (802.11BE) functionality requires compatible Windows OS, select Intel® processor, and a Wi-Fi 7 router, sold separately. Wi-Fi 7 is backwards compatible with prior 802.11 specs. Available in countries where Wi-Fi 7 is supported. The specification for 802.11BE is a draft specification and is not final. If the final specification differs from the draft specification, it may affect the ability of the device to communicate with other 802.11BE devices.

2. Receiver sensitivity is measured at a packet error rate of 8% for 802.11b (CKK modulation) and a packet error rate of 10% for 802.11a/g (OFDM modulation).



HP 5G Sub-6 CAT19³

Technology Operating Bands

WCDMA/HSPA+ operating bands:

Band 01: 1920 to 1980 MHz (UL), 2110 to 2170 MHz (DL)

Band 02: 1850 to 1910 MHz (UL), 1930 to 1990 MHz (DL)

Band 04: 1710 to 1755 MHz (UL), 2110 to 2155 MHz (DL)

Band 05: 824 to 849 MHz (UL), 869 to 894 MHz (DL)

Band 08: 880 to 915 MHz (UL), 925 to 960 MHz (DL)

LTE FDD/TDD operating bands:

Band 01: 1920 to 1980 MHz (UL), 2110 to 2170 MHz (DL)

Band 02: 1850 to 1910 MHz (UL), 1930 to 1990 MHz (DL)

Band 03: 1710 to 1785 MHz (UL), 1805 to 1880 MHz (DL)

Band 04: 1710 to 1755 MHz (UL), 2110 to 2155 MHz (DL)

Band 05: 824 to 849 MHz (UL), 869 to 894 MHz (DL)

Band 07: 2500 to 2570 MHz (UL), 2620 to 2690 MHz (DL)

Band 08: 880 to 915 MHz (UL), 925 to 960 MHz (DL)

Band 12: 699 to 716 MHz (UL), 729 to 746 MHz (DL)

Band 13: 777 to 787 MHz (UL), 746 to 756 MHz (DL)

Band 14: 788 to 798 MHz (UL), 758 to 768 MHz (DL)

Band 17: 704 to 716 MHz (UL), 734 to 746 MHz (DL)

Band 18: 815 to 830 MHz (UL), 860 to 875 MHz (DL)

Band 19: 830 to 845 MHz (UL), 875 to 890 MHz (DL)

Band 20: 832 to 862 MHz (UL), 791 to 821 MHz (DL)

Band 25: 1850 to 1915 MHz (UL), 1930 to 1995 MHz (DL)

Band 26: 814 to 849 MHz (UL), 859 to 894 MHz (DL)

Band 28: 703 to 748 MHz (UL), 758 to 803 MHz (DL)

Band 29: 717 to 728 MHz (DL)

Band 30: 2305 to 2315 MHz (UL) 2350 to 2360 MHz (DL)

Band 34: 2010 to 2025 MHz (UL/DL)

Band 38: 2570 to 2620 MHz (UL/DL)

Band 39: 1880 to 1920 MHz (UL/DL)

Band 40: 2300 to 2400 MHz (UL/DL)

Band 41: 2496 to 2690 MHz (UL/DL)

Band 42: 3400 to 3600 MHz (UL/DL)



Band 43: 3400 to 3800 MHz (UL/DL)

Band 48: 3550 to 3700 MHz (UL/DL)

Band 66: 1710 to 1800 MHz (UL), 2110 to 2200 MHz (DL)

Band 71: 663 to 698 MHz (UL), 617 to 652 MHz (DL)

5G NR Sub 6GHz:

n1: 1920 to 1980 MHz (UL), 2110 to 2170 MHz (DL)

n2: 1850 to 1910 MHz (UL), 1930 to 1990 MHz (DL)

n20: 832 to 862 MHz (UL), 791 to 821 MHz (DL)

n25: 1850 to 1915 MHz (UL), 1930 to 1995 MHz (DL)

n28: 703 to 748 MHz (UL), 758 to 803 MHz (DL)

n3: 1710 to 1785 MHz (UL), 1805 to 1880 MHz (DL)

n30: 2305 to 2315 MHz (UL) 2350 to 2360 MHz (DL)

n38: 2570 to 2620 MHz (UL/DL)

n40: 2300 to 2400 MHz (UL/DL)

n41: 2496 to 2690 MHz (UL/DL)

n48: 3550 to 3700 MHz (UL/DL)

n5: 824 to 849 MHz (UL), 869 to 894 MHz (DL)

n66: 1710 to 1800 MHz (UL), 2110 to 2200 MHz (DL)

n7: 2500 to 2570 MHz (UL), 2620 to 2690 MHz (DL)

n71: 663 to 698 MHz (UL), 617 to 652 MHz (DL)

n77: 3300 to 4200 MHz (UL/DL)

n78: 3300 to 3800 MHz (UL/DL)

n79: 4400 to 5000 MHz (UL/DL)

n8: 880 to 915 MHz (UL), 925 to 960 MHz (DL)

Wireless Protocol Standards

NR Sub6G rel15

200MHz 2 DLCA, 256 QAM

200MHz 2 ULCA, 256 QAM

15KHz/30KHz SCS for FDD/TDD

LTE Rel15

100MHz 5 DLCA, 256 QAM

40MHz 2 ULCA, 256 QAM



| | |
|----------------------------------|---|
| | UMTS Rel8 |
| GPS | GPS only support L1 C/A |
| GPS Bands | GPS L1 (1575.42MHz) GLONASS L1 (1602MHz) Beidou B1 (1561.098MHz) Galileo E1 (1575.42MHz) QZSS (1575.42MHz) |
| Maximum Data Rates | Sub-6 SA Peak DL 4.67Gbps/UL 1.25Gbps Sub-6 NSA Peak DL 3.74Gbps/UL 835Mbps LTE Peak DL 1.6Gbps (CAT19)/UL 211Mbps (CAT18) UMTS/HSPA+ DL DC-HSPA+: 42 Mbps (CAT24)/UL 11.5 Mbps (CAT7) |
| Maximum Output Power | NR 23 dBm in all band except (n30 = 22dBm & n48=21dBm & n77=25dBm & n41/n77/n78 = 26dBm) LTE: 23 dBm in all band except (B30 = 22dBm & B48=21dBm & B41=26dBm) UMTS: 23.5 dBm |
| Maximum Power Consumption | 3500 mA (peak); 1674mA (average) |
| Form Factor | M.2 3052-S3 Key B |



| | |
|--|---|
| Weight | 8.7g |
| Dimensions (Length x Width x Thickness) | 30.00 x 52.00 x 2.30 mm (1.18 x 2.05 x 0.09 inch) |
| Embedded eSIM | Yes |

HP 5G Sub-6 CAT19 HP Go Solution³

| | |
|-----------------------------------|---|
| Technology Operating Bands | <p>WCDMA/HSPA+ operating bands:</p> <p>Band 01: 1920 to 1980 MHz (UL), 2110 to 2170 MHz (DL)</p> <p>Band 02: 1850 to 1910 MHz (UL), 1930 to 1990 MHz (DL)</p> <p>Band 04: 1710 to 1755 MHz (UL), 2110 to 2155 MHz (DL)</p> <p>Band 05: 824 to 849 MHz (UL), 869 to 894 MHz (DL)</p> <p>Band 08: 880 to 915 MHz (UL), 925 to 960 MHz (DL)</p> <p>LTE FDD/TDD operating bands:</p> <p>Band 01: 1920 to 1980 MHz (UL), 2110 to 2170 MHz (DL)</p> <p>Band 02: 1850 to 1910 MHz (UL), 1930 to 1990 MHz (DL)</p> <p>Band 03: 1710 to 1785 MHz (UL), 1805 to 1880 MHz (DL)</p> <p>Band 04: 1710 to 1755 MHz (UL), 2110 to 2155 MHz (DL)</p> <p>Band 05: 824 to 849 MHz (UL), 869 to 894 MHz (DL)</p> <p>Band 07: 2500 to 2570 MHz (UL), 2620 to 2690 MHz (DL)</p> <p>Band 08: 880 to 915 MHz (UL), 925 to 960 MHz (DL)</p> <p>Band 12: 699 to 716 MHz (UL), 729 to 746 MHz (DL)</p> <p>Band 13: 777 to 787 MHz (UL), 746 to 756 MHz (DL)</p> <p>Band 14: 788 to 798 MHz (UL), 758 to 768 MHz (DL)</p> <p>Band 17: 704 to 716 MHz (UL), 734 to 746 MHz (DL)</p> <p>Band 18: 815 to 830 MHz (UL), 860 to 875 MHz (DL)</p> <p>Band 19: 830 to 845 MHz (UL), 875 to 890 MHz (DL)</p> <p>Band 20: 832 to 862 MHz (UL), 791 to 821 MHz (DL)</p> <p>Band 25: 1850 to 1915 MHz (UL), 1930 to 1995 MHz (DL)</p> <p>Band 26: 814 to 849 MHz (UL), 859 to 894 MHz (DL)</p> <p>Band 28: 703 to 748 MHz (UL), 758 to 803 MHz (DL)</p> |
|-----------------------------------|---|



Band 29: 717 to 728 MHz (DL)

Band 30: 2305 to 2315 MHz (UL) 2350 to 2360 MHz (DL)

Band 34: 2010 to 2025 MHz (UL/DL)

Band 38: 2570 to 2620 MHz (UL/DL)

Band 39: 1880 to 1920 MHz (UL/DL)

Band 40: 2300 to 2400 MHz (UL/DL)

Band 41: 2496 to 2690 MHz (UL/DL)

Band 42: 3400 to 3600 MHz (UL/DL)

Band 43: 3400 to 3800 MHz (UL/DL)

Band 48: 3550 to 3700 MHz (UL/DL)

Band 66: 1710 to 1800 MHz (UL), 2110 to 2200 MHz (DL)

Band 71: 663 to 698 MHz (UL), 617 to 652 MHz (DL)

5GNR Sub 6GHz:

n1: 1920 to 1980 MHz (UL), 2110 to 2170 MHz (DL)

n2: 1850 to 1910 MHz (UL), 1930 to 1990 MHz (DL)

n20: 832 to 862 MHz (UL), 791 to 821 MHz (DL)

n25: 1850 to 1915 MHz (UL), 1930 to 1995 MHz (DL)

n28: 703 to 748 MHz (UL), 758 to 803 MHz (DL)

n3: 1710 to 1785 MHz (UL), 1805 to 1880 MHz (DL)

n30: 2305 to 2315 MHz (UL) 2350 to 2360 MHz (DL)

n38: 2570 to 2620 MHz (UL/DL)

n40: 2300 to 2400 MHz (UL/DL)

n41: 2496 to 2690 MHz (UL/DL)

n48: 3550 to 3700 MHz (UL/DL)

n5: 824 to 849 MHz (UL), 869 to 894 MHz (DL)

n66: 1710 to 1800 MHz (UL), 2110 to 2200 MHz (DL)

n7: 2500 to 2570 MHz (UL), 2620 to 2690 MHz (DL)

n71: 663 to 698 MHz (UL), 617 to 652 MHz (DL)

n77: 3300 to 4200 MHz (UL/DL)

n78: 3300 to 3800 MHz (UL/DL)

n79: 4400 to 5000 MHz (UL/DL)

n8: 880 to 915 MHz (UL), 925 to 960 MHz (DL)



| | |
|------------------------------------|---|
| Wireless Protocol Standards | NR Sub6G rel15 200MHz 2 DLCA, 256 QAM 200MHz 2 ULCA, 256 QAM 15KHz/30KHz SCS for FDD/TDD LTE Rel15 100MHz 5 DLCA, 256 QAM 40MHz 2 ULCA, 256 QAM UMTS Rel8 |
| GPS | GPS only support L1 C/A |
| GPS Bands | GPS L1 (1575.42MHz) GLONASS L1 (1602MHz) Beidou B1 (1561.098MHz) Galileo E1 (1575.42MHz) QZSS (1575.42MHz) |
| Maximum Data Rates | Sub-6 SA Peak DL 4.67Gbps/UL 1.25Gbps Sub-6 NSA Peak DL 3.74Gbps/UL 835Mbps LTE Peak DL 1.6Gbps (CAT19)/UL 211Mbps (CAT18) UMTS/HSPA+ DL DC-HSPA+: 42 Mbps (CAT24)/UL 11.5 Mbps (CAT7) |
| Maximum Output Power | NR : 23 dBm in all band except (n30 = 22dBm & n48=21dBm & n77=25dBm & n41/n77/n78 = 26dBm) LTE: 23 dBm in all band except (B30 = 22dBm & B48=21dBm & B41=26dBm) |



| | | |
|--|-----------------------------------|--|
| | | UMTS: 23.5 dBm |
| Maximum Power Consumption | | 3500 mA (peak); 1674mA (average) |
| Form Factor | | M.2 3052-S3 Key B |
| Weight | | 8.7g |
| Dimensions (Length x Width x Thickness) | | 30.00 x 52.00 x 2.30 mm (1.18 x 2.05 x 0.09 inch) |
| Embedded eSIM | | Yes |
| MTK T900 5G R18 Sub-6 CAT20³ | Technology Operating Bands | <p>WCDMA/HSPA+ operating bands:</p> <p>Band 1: 1920 to 1980 MHz (UL), 2110 to 2170 MHz (DL)</p> <p>Band 2: 1850 to 1910 MHz (UL), 1930 to 1990 MHz (DL)</p> <p>Band 4: 1710 to 1755 MHz (UL), 2110 to 2155 MHz (DL)</p> <p>Band 5: 824 to 849 MHz (UL), 869 to 894 MHz (DL)</p> <p>Band 8: 880 to 915 MHz (UL), 925 to 960 MHz (DL)</p> <p>LTE FDD/TDD operating bands:</p> <p>Band 1: 1920 to 1980 MHz (UL), 2110 to 2170 MHz (DL)</p> <p>Band 2: 1850 to 1910 MHz (UL), 1930 to 1990 MHz (DL)</p> <p>Band 3: 1710 to 1785 MHz (UL), 1805 to 1880 MHz (DL)</p> <p>Band 4: 1710 to 1755 MHz (UL), 2110 to 2155 MHz (DL)</p> <p>Band 5: 824 to 849 MHz (UL), 869 to 894 MHz (DL)</p> <p>Band 7: 2500 to 2570 MHz (UL), 2620 to 2690 MHz (DL)</p> <p>Band 8: 880 to 915 MHz (UL), 925 to 960 MHz (DL)</p> <p>Band 12: 699 to 716 MHz (UL), 729 to 746 MHz (DL)</p> <p>Band 13: 777 to 787 MHz (UL), 746 to 756 MHz (DL)</p> <p>Band 14: 788 to 798 MHz (UL), 758 to 768 MHz (DL)</p> |



Band 17: 704 to 716 MHz (UL), 734 to 746 MHz (DL)
Band 18: 815 to 830 MHz (UL), 860 to 875 MHz (DL)
Band 19: 830 to 845 MHz (UL), 875 to 890 MHz (DL)
Band 20: 832 to 862 MHz (UL), 791 to 821 MHz (DL)
Band 25: 1850 to 1915 MHz (UL), 1930 to 1995 MHz (DL)
Band 26: 814 to 849 MHz (UL), 859 to 894 MHz (DL)
Band 28: 703 to 748 MHz (UL), 758 to 803 MHz (DL)
Band 29: 717 to 728 MHz (DL)
Band 30: 2305 to 2315 MHz (UL) 2350 to 2360 MHz (DL)
Band 32: 1452 to 1496 MHz (DL)
Band 34: 2010 to 2025 MHz (UL/DL)
Band 38: 2570 to 2620 MHz (UL/DL)
Band 39: 1880 to 1920 MHz (UL/DL)
Band 40: 2300 to 2400 MHz (UL/DL)
Band 41: 2496 to 2690 MHz (UL/DL)
Band 42: 3400 to 3600 MHz (UL/DL)
Band 43: 3400 to 3800 MHz (UL/DL)
Band 48: 3550 to 3700 MHz (UL/DL)
Band 66: 1710 to 1800 MHz (UL), 2110 to 2200 MHz (DL)
Band 71: 663 to 698 MHz (UL), 617 to 652 MHz (DL)
5GNR Sub 6GHZ
n1: 1920 to 1980 MHz (UL), 2110 to 2170 MHz (DL)
n2: 1850 to 1910 MHz (UL), 1930 to 1990 MHz (DL)
n3: 1710 to 1785 MHz (UL), 1805 to 1880 MHz (DL)
n5: 824 to 849 MHz (UL), 869 to 894 MHz (DL)
n7: 2500 to 2570 MHz (UL), 2620 to 2690 MHz (DL)
n8: 880 to 915 MHz (UL), 925 to 960 MHz (DL)
n12: 699 to 716 Mhz(UL),729 to 746 MHz (DL)
n13: 777 to 787 Mhz(UL),746 to 756 MHz (DL)
n14: 788 to 798 Mhz(UL),758 to 768 MHz (DL)
n18: 815 to 830 Mhz(UL),860 to 875 MHz (DL)
n20: 832 to 862 MHz (UL), 791 to 821 MHz (DL)
n25: 1850 to 1915 MHz (UL), 1930 to 1995 MHz (DL)



n26: 814 to 849 Mhz(UL),859 to 894 MHz (DL)
n28: 703 to 748 MHz (UL), 758 to 803 MHz (DL)
n29: 717 to 728 MHz (DL)
n30: 2305 to 2315 MHz (UL) 2350 to 2360 MHz (DL)
n38: 2570 to 2620 MHz (UL/DL)
n40: 2300 to 2400 MHz (UL/DL)
n41: 2496 to 2690 MHz (UL/DL)
n48: 3550 to 3700 MHz (UL/DL)
n66: 1710 to 1800 MHz (UL), 2110 to 2200 MHz (DL)
n70: 1695 to 1710 MHz (UL) 1995 to 2020 MHz (DL)
n71: 663 to 698 MHz (UL), 617 to 652 MHz (DL)
n75: 1432 to 1517 MHz (DL)
n76: 1427 to 1432 MHz (DL)
n77: 3300 to 4200 MHz (UL/DL)
n78: 3300 to 3800 MHz (UL/DL)
n79: 4400 to 5000 MHz (UL/DL)

Wireless Protocol Standards

NR Sub6G Rel17
300MHz 4 DLCA, 256 QAM
200MHz 2 ULCA, 256 QAM
15KHz SCS for FDD 30KHz SCS for TDD

LTE Rel15
100MHz 5 DLCA, 256 QAM
40MHz 2 ULCA, 256 QAM

UMTS Rel8

GPS

GPS only support L1 C/A

GPS Bands

GPS L1 (1575.42MHz)
GLONASS L1 (1602MHz)
Beidou B1 (1561.098MHz)



| | | |
|--|-----------------------------------|--|
| | | Galileo E1 (1575.42MHz) QZSS (1575.42MHz) |
| Maximum Data Rates | | Sub-6 SA Peak DL 7Gbps/UL 2.5Gbps Sub-6 NSA Peak DL 5.8Gbps/UL 140Mbps LTE Peak DL 2Gbps (CAT20)/UL 211Mbps (CAT18) UMTS/HSPA+ DL DC-HSPA+: 42 Mbps (CAT24)/UL 11.5 Mbps (CAT7) |
| Maximum Output Power | | NR : 23 dBm in all band except (n30 = 22dBm & n48=21dBm & n41/n77/n78/n79 = 26dBm) LTE: 23 dBm in all band except (B30 = 22dBm & B48=21.5dBm) UMTS: 23.5 dBm |
| Maximum Power Consumption | | 3120 mA (peak); 1350mA (average) |
| Form Factor | | M.2 Key B |
| Weight | | 9.5g |
| Dimensions (Length x Width x Thickness) | | 30.00 x 52.00 x 2.30 mm (1.18 x 2.05 x 0.09 inch) |
| Embedded eSIM | | Yes |
| MTK T900 5G R18 Sub-6 CAT20 HP Go³ | Technology Operating Bands | WCDMA/HSPA+ operating bands: Band 1: 1920 to 1980 MHz (UL), 2110 to 2170 MHz (DL) |



Band 2: 1850 to 1910 MHz (UL), 1930 to 1990 MHz (DL)

Band 4: 1710 to 1755 MHz (UL), 2110 to 2155 MHz (DL)

Band 5: 824 to 849 MHz (UL), 869 to 894 MHz (DL)

Band 8: 880 to 915 MHz (UL), 925 to 960 MHz (DL)

LTE FDD/TDD operating bands:

Band 1: 1920 to 1980 MHz (UL), 2110 to 2170 MHz (DL)

Band 2: 1850 to 1910 MHz (UL), 1930 to 1990 MHz (DL)

Band 3: 1710 to 1785 MHz (UL), 1805 to 1880 MHz (DL)

Band 4: 1710 to 1755 MHz (UL), 2110 to 2155 MHz (DL)

Band 5: 824 to 849 MHz (UL), 869 to 894 MHz (DL)

Band 7: 2500 to 2570 MHz (UL), 2620 to 2690 MHz (DL)

Band 8: 880 to 915 MHz (UL), 925 to 960 MHz (DL)

Band 12: 699 to 716 MHz (UL), 729 to 746 MHz (DL)

Band 13: 777 to 787 MHz (UL), 746 to 756 MHz (DL)

Band 14: 788 to 798 MHz (UL), 758 to 768 MHz (DL)

Band 17: 704 to 716 MHz (UL), 734 to 746 MHz (DL)

Band 18: 815 to 830 MHz (UL), 860 to 875 MHz (DL)

Band 19: 830 to 845 MHz (UL), 875 to 890 MHz (DL)

Band 20: 832 to 862 MHz (UL), 791 to 821 MHz (DL)

Band 25: 1850 to 1915 MHz (UL), 1930 to 1995 MHz (DL)

Band 26: 814 to 849 MHz (UL), 859 to 894 MHz (DL)

Band 28: 703 to 748 MHz (UL), 758 to 803 MHz (DL)

Band 29: 717 to 728 MHz (DL)

Band 30: 2305 to 2315 MHz (UL) 2350 to 2360 MHz (DL)

Band 32: 1452 to 1496 MHz (DL)

Band 34: 2010 to 2025 MHz (UL/DL)

Band 38: 2570 to 2620 MHz (UL/DL)

Band 39: 1880 to 1920 MHz (UL/DL)

Band 40: 2300 to 2400 MHz (UL/DL)

Band 41: 2496 to 2690 MHz (UL/DL)

Band 42: 3400 to 3600 MHz (UL/DL)

Band 43: 3400 to 3800 MHz (UL/DL)

Band 48: 3550 to 3700 MHz (UL/DL)



Band 66: 1710 to 1800 MHz (UL), 2110 to 2200 MHz (DL)

Band 71: 663 to 698 MHz (UL), 617 to 652 MHz (DL)

5GNR Sub 6GHZ

n1: 1920 to 1980 MHz (UL), 2110 to 2170 MHz (DL)

n2: 1850 to 1910 MHz (UL), 1930 to 1990 MHz (DL)

n3: 1710 to 1785 MHz (UL), 1805 to 1880 MHz (DL)

n5: 824 to 849 MHz (UL), 869 to 894 MHz (DL)

n7: 2500 to 2570 MHz (UL), 2620 to 2690 MHz (DL)

n8: 880 to 915 MHz (UL), 925 to 960 MHz (DL)

n12: 699 to 716 Mhz(UL),729 to 746 MHz (DL)

n13: 777 to 787 Mhz(UL),746 to 756 MHz (DL)

n14: 788 to 798 Mhz(UL),758 to 768 MHz (DL)

n18: 815 to 830 Mhz(UL),860 to 875 MHz (DL)

n20: 832 to 862 MHz (UL), 791 to 821 MHz (DL)

n25: 1850 to 1915 MHz (UL), 1930 to 1995 MHz (DL)

n26: 814 to 849 Mhz(UL),859 to 894 MHz (DL)

n28: 703 to 748 MHz (UL), 758 to 803 MHz (DL)

n29: 717 to 728 MHz (DL)

n30: 2305 to 2315 MHz (UL) 2350 to 2360 MHz (DL)

n38: 2570 to 2620 MHz (UL/DL)

n40: 2300 to 2400 MHz (UL/DL)

n41: 2496 to 2690 MHz (UL/DL)

n48: 3550 to 3700 MHz (UL/DL)

n66: 1710 to 1800 MHz (UL), 2110 to 2200 MHz (DL)

n70: 1695 to 1710 MHz (UL) 1995 to 2020 MHz (DL)

n71: 663 to 698 MHz (UL), 617 to 652 MHz (DL)

n75: 1432 to 1517 MHz (DL)

n76: 1427 to 1432 MHz (DL)

n77: 3300 to 4200 MHz (UL/DL)

n78: 3300 to 3800 MHz (UL/DL)

n79: 4400 to 5000 MHz (UL/DL)



| | |
|------------------------------------|--|
| Wireless Protocol Standards | NR Sub6G Rel17 300MHz 4 DLCA, 256 QAM 200MHz 2 ULCA, 256 QAM 15KHz SCS for FDD 30KHz SCS for TDD LTE Rel15 100MHz 5 DLCA, 256 QAM 40MHz 2 ULCA, 256 QAM UMTS Rel8 |
| GPS | GPS only support L1 C/A |
| GPS Bands | GPS L1 (1575.42MHz) GLONASS L1 (1602MHz) Beidou B1 (1561.098MHz) Galileo E1 (1575.42MHz) QZSS (1575.42MHz) |
| Maximum Data Rates | Sub-6 SA Peak DL 7Gbps/UL 2.5Gbps Sub-6 NSA Peak DL 5.8Gbps/UL 140Mbps LTE Peak DL 2Gbps (CAT20)/UL 211Mbps (CAT18) UMTS/HSPA+ DL DC-HSPA+: 42 Mbps (CAT24)/UL 11.5 Mbps (CAT7) |
| Maximum Output Power | NR : 23 dBm in all band except (n30 = 22dBm & n48=21dBm & n41/n77/n78/n79 = 26dBm) LTE: 23 dBm in all band except (B30 = 22dBm & B48=21.5dBm) |



| | |
|--|---|
| | UMTS: 23.5 dBm |
| Maximum Power Consumption | 3120 mA (peak); 1350mA (average) |
| Form Factor | M.2 Key B |
| Weight | 9.5g |
| Dimensions (Length x Width x Thickness) | 30.00 x 52.00 x 2.30 mm (1.18 x 2.05 x 0.09 inch) |
| Embedded eSIM | Yes |

3. 5G module is optional and must be configured at the factory. Module designed for 5G NR NSA (non-standalone) networks as carriers deploy Evolved-Universal Terrestrial Radio Access New Radio Dual Connectivity (ENDC) with both 100Mhz of 5G NR and LTE channel bandwidth, using 256QAM 4x4 as defined by 3GPP. Module requires activation and separately purchased service contract. Check with service provider for coverage and availability in your area. Data connection, upload and download speeds will vary due to network, location, environment, network conditions, and other factors. Backwards compatible to 4G LTE and 3G HSPA technologies. 5G module planned to be available in select platforms and select countries, where carrier supported.

| | | |
|------------------------------|-------------------------------|---|
| NFC Mirage WNC XRAV-1 | Dimensions (L x W x H) | 17.00 x 10.00 x 2.00 mm (0.67 x 0.39 x 0.08 inch) |
| | Chipset | NPC300 |
| | System Interface | I2C |
| | NFC RF Standards | ISO/IEC 14443 A ISO/IEC 14443 B ISO/IEC 15693 ISO/IEC 18092 ECMA-340 NFCIP-1 Target and Initiator ECMA-320 NFCIP-2 |



| | |
|--|--|
| NFC Forum Support | Type 1, Type 2, Type 3 / Type 4, NFCIP-1 / NFCIP-2 |
| Reader Mode (PCD-VCD) | ISO/IEC 14443 A ISO/IEC 14443 B ISO/IEC 15693 MIFARE 1K MIFARE 4K MIFARE DESFire FeliCa Jewel and Topaz |
| Card Emulation Mode (PICC-VICC) | ISO/IEC 14443 A ISO/IEC 14443 B and B' MIFARE FeliCa |
| Frequency | 13.56 MHz |
| NFC Modes Supported | Reader/Writer, Peer-to-Peer |
| Raw RF Data Rates | 106 kbps, 212 kbps, 424 kbps, 848 kbps |
| Operating Temperature | 0°C to 70°C (32°F to 158°F) |
| Storage Temperature | -20°C to 125°C (-4°F to 257°F) |
| Humidity | Operating: 10 - 90% |



| | | |
|---|------------------------------------|--|
| | | Non-Operating: 5 - 95% |
| Supply Operating Voltage | | 4.35 to 5.25 Volts |
| I/O Voltage | | 1.8V or 3.3V |
| Power Consumption | | Booster enable, VBAT= 3.3V, VCC_BOOST = 5V |
| Mode | | Power Consumption, Typical |
| Polling | | 7.3 mA |
| Detected Test Tag Type 1 | | Total 283.8 mA Net Module 236.8 mA |
| Detected Test Tag Type 2 | | Total 288.8 mA Net Module 241.8 mA |
| Detected Test Tag Type 3 | | Total 287.7 mA Net Module 240.7 mA |
| Detected Test Tag Type 4 | | Total 282.3 mA Net Module 235.3 mA |
| Antenna | | Antenna connector, 0.5mm pitch, 7 connector FPC. Antenna matching is external to module. |
| HP RW220-GL LTE (Low Power) (CAT-1bis)⁴ | Technology/Operating bands | FDD LTE: 2100 (Band 1), 1800 (Band 3), 850 (Band 5), 900 (Band 8), 700 (Band 12), 850 (Band 18), 850 (Band 19), 800 (Band 20), 850 (Band 26), 700 (Band 28) WIFI Scan : 802.11b |
| | Wireless Protocol Standards | 3GPP TS 51.010-1 V10.5.0: Mobile Station (MS) conformance |



specification; Part 1: Conformance specification
3GPP TS 36.521-1 V14.3.0: User Equipment (UE) conformance specification; Radio transmission and reception; Part 1: Conformance testing
3GPP TS 21.111 V10.0.0: USIM and IC card requirements
3GPP TS 51.011 V4.15.0: Specification of the Subscriber Identity Module -Mobile Equipment (SIM-ME) interface
3GPP TS 31.102 V10.11.0: Characteristics of the Universal Subscriber Identity Module (USIM) application
3GPP TS 31.11 V10.16.0: Universal Subscriber Identity Module (USIM) Application Toolkit (USAT)
3GPP TS 36.124 V10.3.0: Electro Magnetic Compatibility (EMC) requirements for mobile terminals and ancillary equipment
3GPP TS 27.007 V10.0.8: AT command set for User Equipment (UE)
3GPP TS 27.005 V10.0.1: Use of Data Terminal Equipment - Data Circuit terminating Equipment (DTE - DCE) interface for Short Message Service (SMS) and Cell Broadcast Service (CBS)

GPS

GPS, Galileo, BeiDou, QZSS,
AGPS-MS-B

GPS Bands

GPS L1:1575.42Mhz±1.023Mhz,
BDS B1:1561.098Mhz±2.046Mhz,
Galileo E1:1575.42Mhz±1.023Mhz,
QZSS L1:1575.42Mhz±1.023Mhz

Maximum Data Rates

Downlink: 10Mbps
Uplink: 5Mbps

Maximum Output Power

B1/3: 23 +/-2dBm,
B5/8/12/18/19/20/26/28: 24 +1.7/-2dBm



| | |
|--|---|
| Maximum Power Consumption | Peak Current : 290.945mA Average current : 8.035mA |
| Form Factor | M.2 |
| Weight | 3.9g |
| Dimensions (Length x Width x Thickness) | 22.00 x 42.00 x 2.30 mm (0.87 x 1.65 x 0.09 inch) |
| Embedded eSIM | Yes |

1. LPWAN (also called Mobile Narrowband) supports HP Protect & Trace with Wolf Connect service through the subscription term, but does not support mobile broadband use.



POWER

Power supply availability may vary by country.

| | | |
|---------------------------------|--------------------------------------|---|
| 100W Wall Mount Halogen | Weight (DC Cable Included) | 106 g ± 10 g |
| Free USB Type-C® Gallium | Input | 100 Vac ~ 240 Vac |
| Nitride AC power adapter | Input Efficiency | USB-C 90.00 % min at 115 Vac/ 230 Vac @ 20.00 V/ 5.00 A |
| | Input frequency range | 47 Hz ~ 63 Hz |
| | Input AC current | Max 1.60 A at 90 Vac input |
| | Output | |
| | Output power | 20.00 V / 100.00 W |
| | DC output | + 20.00 V |
| | Hold - up time | 5 ms at 115 Vac input |
| | Output Over Current | 5.40 A (max) |
| | Protection | |
| | AC Inlet Type | Fixed 2 Prong |
| | DC Cable Connector | USB Type-C |
| | DC Cable Material | Halogen Free |
| | Connector | |
| | Connector | Fixed 2 Prong |
| | Environmental Design | |
| | Operating temperature | 0°C to 35°C (32°F to 95°F) |
| | Non - operating(storage) temperature | -20°C to 85°C (-4°F to 185°F) |
| | Altitude | 0 m to 5000 m (0 ft to 16404.2 ft) |
| | Humidity | 20 % to 95 % |
| | Storage Humidity | 10 % to 95 % |
| | EMI and Safety Certifications | Worldwide safety standards - IEC60950-1 and IEC62368-1: 2018, EN62368-1:2014+A11, UL62368-1 Agency approvals - C-UL-US, TUV/GS, TUV/PSE, EN55032 Class B, FCC Class B, CISPR32 Class B, CCC and CECP, CU(EAC), EAEU, KCC(Safety+EMC) and K-MEPS, NOM-001 and 029 NYCE, NRcan, NRCS, ISC, SEC, PSB, Argentina S-mark, Australia GEMS |



and RCM, BIS, BSMI, UAE, UKCA DoC

| | | |
|--|---|--|
| 100W Wall Mount Halogen Free USB Type-C® Gallium Nitride AC power adapter | Weight (DC Cable Included) | 250 g ± 10 g |
| | Input | 100 Vac ~ 240 Vac |
| | Input Efficiency | USB-C 90.00 % min at 115 Vac/ 230 Vac @ 20.00 V/ 5.00 A |
| | Input frequency range | 47 Hz ~ 63 Hz |
| | Input AC current | Max 1.60 A at 90 Vac input |
| | Output | |
| | Output power | 20.00 V / 100.00 W |
| | DC output | + 20.00 V |
| | Hold - up time | 5 ms at 115 Vac input |
| | Output Over Current | 5.40 A (max) |
| | Protection | |
| | AC Inlet Type | Foldable for 2 prong |
| | DC Cable Connector | USB Type-C |
| | DC Cable Material | Halogen Free |
| | Connector | |
| | Connector | Foldable for 2 prong |
| | Environmental Design | |
| | Operating temperature | 0°C to 35°C (32°F to 95°F) |
| | Non - operating(storage) temperature | -20°C to 85°C (-4°F to 185°F) |
| | Altitude | 0 m to 5000 m (0 ft to 16404.2 ft) |
| | Humidity | 20 % to 95 % |
| Storage Humidity | 10 % to 95 % | |
| EMI and Safety Certifications | Worldwide safety standards - IEC60950-1 and IEC62368-1: 2018, EN62368-1:2014+A11, UL62368-1 Agency approvals - C-UL-US, TUV/GS, TUV/PSE, EN55032 Class B, FCC Class B, CISPR32 Class B, CCC and CECP, CU(EAC), EAEU, KCC(Safety+EMC) and K-MEPS, NOM-001 and 029 NYCE, NRcan, NRCS, ISC, SEC, PSB, Argentina S-mark, Australia GEMS and RCM, BIS, BSMI, UAE, UKCA DoC | |



| | | |
|--|---|--|
| 65W Standard USB Type-C® Gallium Nitride AC power adapter | Weight (DC Cable Included) | 185 g ± 10 g |
| | Input | 100 Vac ~ 240 Vac |
| | Input Efficiency | USB-C 89.00 % min at 115 Vac/ 230 Vac @ 20.00 V/ 3.25 A |
| | Input frequency range | 47 Hz ~ 63 Hz |
| | Input AC current | Max 1.60 A at 90 Vac input |
| | Output | |
| | Output power | 20.00 V / 65.00 W |
| | DC output | + 20.00 V |
| | Hold - up time | 5 ms at 115 Vac input |
| | Output Over Current | 5.40 A (max) |
| | Protection | |
| | AC Inlet Type | C6 |
| | DC Cable Connector | USB Type-C |
| | DC Cable Material | Low Halogen |
| | Connector | |
| | Connector | C6 |
| | Environmental Design | |
| | Operating temperature | 0°C to 35°C (32°F to 95°F) |
| | Non - operating(storage) temperature | -20°C to 85°C (-4°F to 185°F) |
| | Altitude | 0 m to 5000 m (0 ft to 16404.2 ft) |
| | Humidity | 20 % to 95 % |
| Storage Humidity | 10 % to 95 % | |
| EMI and Safety Certifications | Worldwide safety standards - IEC60950-1 and IEC62368-1: 2018, EN62368-1:2014+A11, UL62368-1 Agency approvals - C-UL-US, TUV/GS, TUV/PSE, EN55032 Class B, FCC Class B, CISPR32 Class B, CCC and CECP, CU(EAC), EAEU, KCC(Safety+EMC) and K-MEPS, NOM-001 and 029 NYCE, NRcan, NRCS, ISC, SEC, PSB, Argentina S-mark, Australia GEMS and RCM, BIS, BSMI, UAE, UKCA DoC | |
| 65W Wall Mount Halogen | Weight (DC Cable Included) | 185 g ± 10 g |



| | | | |
|--|--------------------------------------|---|--|
| Free USB Type-C® Gallium Nitride AC power adapter | Input | 100 Vac ~ 240 Vac | |
| | Input Efficiency | USB-C 89.00 % min at 115 Vac/ 230 Vac @ 20.00 V/ 3.25 A | |
| | Input frequency range | 47 Hz ~ 63 Hz | |
| | Input AC current | Max 1.60 A at 90 Vac input | |
| | Output | | |
| | Output power | 20.00 V / 65.00 W | |
| | DC output | + 20.00 V | |
| | Hold - up time | 5 ms at 115 Vac input | |
| | Output Over Current | 5.40 A (max) | |
| | Protection | | |
| | AC Inlet Type | Foldable for 2 prong | |
| | DC Cable Connector | USB Type-C | |
| | DC Cable Material | Halogen Free | |
| | Connector | | |
| | Connector | Foldable for 2 prong | |
| | Environmental Design | | |
| | Operating temperature | 0°C to 35°C (32°F to 95°F) | |
| | Non - operating(storage) temperature | -20°C to 85°C (-4°F to 185°F) | |
| | Altitude | 0 m to 5000 m (0 ft to 16404.2 ft) | |
| | Humidity | 20 % to 95 % | |
| | Storage Humidity | 10 % to 95 % | |
| | EML and Safety Certifications | Worldwide safety standards - IEC60950-1 and IEC62368-1: 2018, EN62368-1:2014+A11, UL62368-1 Agency approvals - C-UL-US, TUV/GS, TUV/PSE, EN55032 Class B, FCC Class B, CISPR32 Class B, CCC and CECP, CU(EAC), EAEU, KCC(Safety+EMC) and K-MEPS, NOM-001 and 029 NYCE, NRcan, NRCS, ISC, SEC, PSB, Argentina S-mark, Australia GEMS and RCM, BIS, BSMI, UAE, UKCA DoC | |
| 65W Wall Mount Halogen | Weight (DC Cable Included) | 185 g ± 10 g | |



| | | |
|--|--------------------------------------|---|
| Free USB Type-C® Gallium Nitride AC power adapter | Input | 100 Vac ~ 240 Vac |
| | Input Efficiency | USB-C 89.00 % min at 115 Vac/ 230 Vac @ 20.00 V/ 3.25 A |
| | Input frequency range | 47 Hz ~ 63 Hz |
| | Input AC current | Max 1.60 A at 90 Vac input |
| | Output | |
| | Output power | 20.00 V / 65.00 W |
| | DC output | + 20.00 V |
| | Hold - up time | 5 ms at 115 Vac input |
| | Output Over Current | 5.50 A (max) |
| | Protection | |
| | AC Inlet Type | Fixed 2 Prong |
| | DC Cable Connector | USB Type-C |
| | DC Cable Material | Halogen Free |
| | Connector | |
| | Connector | Fixed 2 Prong |
| | Environmental Design | |
| | Operating temperature | 0°C to 35°C (32°F to 95°F) |
| | Non - operating(storage) temperature | -20°C to 85°C (-4°F to 185°F) |
| | Altitude | 0 m to 5000 m (0 ft to 16404.2 ft) |
| | Humidity | 20 % to 95 % |
| | Storage Humidity | 10 % to 95 % |
| | EML and Safety Certifications | Worldwide safety standards - IEC60950-1 and IEC62368-1: 2018, EN62368-1:2014+A11, UL62368-1 Agency approvals - C-UL-US, TUV/GS, TUV/PSE, EN55032 Class B, FCC Class B, CISPR32 Class B, CCC and CECP, CU(EAC), EAEU, KCC(Safety+EMC) and K-MEPS, NOM-001 and 029 NYCE, NRcan, NRCS, ISC, SEC, PSB, Argentina S-mark, Australia GEMS and RCM, BIS, BSMI, UAE, UKCA DoC |



Battery

Battery is internal and not replaceable by customer. Serviceable by warranty.

| | | |
|-----------------------------------|-----------------------------------|-------------------------------------|
| CH 56Whr Long Life Polymer | Weight | 210 g ± 10 g (0.46 lb) |
| Fast charge 3 cell Battery | Cells / Type | 3 cell Lithium-Ion Polymer / |
| | Energy | |
| | Voltage | 11.67 V |
| | Amp - hour capacity | 4.799 Ah |
| | Watt - hour capacity | 56Wh.0.00 Wh |
| | Temperature | |
| | Operating (Charging) | 0°C to 45°C (32°F to 113°F) |
| | Operating (Discharging) | -10°C to 60°C (14°F to 140°F) |
| | Optional Travel Battery Available | No |
| CH 68Whr Long Life Polymer | Weight | 250 g ± 10 g (0.55 lb) |
| Fast charge 6 cell Battery | Cells / Type | 6 cell Lithium-Ion Polymer / 604457 |
| | Energy | |
| | Voltage | 11.70 V |
| | Amp - hour capacity | 5.812 Ah |
| | Watt - hour capacity | 68Wh.0.00 Wh |
| | Temperature | |
| | Operating (Charging) | 0°C to 45°C (32°F to 113°F) |
| | Operating (Discharging) | -10°C to 60°C (14°F to 140°F) |
| | Optional Travel Battery Available | No |



AUDIO

| | |
|-----------------------------------|--|
| Codec | Realtek ALC3335 |
| Audio I/O Ports | 3.5mm Headset: CTIA only; Headphone-out |
| Internal Speaker Amplifier | TI SoundWire Class-D Amplifier |
| Multi-streaming Capable | Playback multi-streaming can be enabled in the audio control panel to allow independent audio streams to be sent to/from the front jacks or integrated speaker, Following Microsoft behavior. |
| Sampling | DAC: Supports resolutions from 16-bit to 24-bit;48.0 kHz to 48.0 kHz ADC: Supports resolutions from 16-bit to 24-bit;44.1 kHz to 48.0 kHz |
| Internal Speaker | Yes |



FINGERPRINT READER

| | |
|------------------------------------|------------------------------------|
| Sensor vendor | SYNAPTICS |
| Sensor type | Capacitive |
| DPI resolution | 363 DPI |
| Scan area | 104 x 86 pixels |
| False Rejection Rate | < 3% |
| False Acceptance Rate | < 0.001% |
| Mobile Voltage Operation | 2.7 V ~ 3.6 V |
| Operating Temperature | 5°C ~ 60°C (41°F ~ 140°F) |
| Current Consumption Image | 100 mA max |
| Low Latency Wait For Finger | 260 uA |
| Capture Rate | 50 frames/sec |
| ESD Resistance | IEC 61000-4-2 4B (+15KV) |
| Detection Matrix | 363 dpi / 7.4 x 6.0 mm sensor area |



OPTIONS

| Container Name | Description | Part Number |
|--|--|-------------|
| Adapters | HP HDMI to VGA Adapter | H4F02AA |
| | HP USB 3.0 to Gigabit RJ45 Adapter G2 | 4Z7Z7AA |
| | HP USB-C to DisplayPort Adapter G2 | 8Y8Y1AA |
| | HP USB-C to HDMI 2.0 Adapter | 1WC36AA |
| | HP USB-C to RJ45 Adapter G2 | 4Z527AA |
| | HP USB-C to USB 3.0 Adapter | N2Z63AA |
| | HP USB-C to VGA Adapter | N9K76AA |
| Audio - Earbuds | Poly Voyager Free 60 Carbon Black Earbuds | 7Y8H4AA |
| | Poly Voyager Free 60 Carbon Black Earbuds | 7Y8L7AA |
| | Poly Voyager Free 60 Carbon Black Earbuds | 7Y8L8AA |
| | Poly Voyager Free 60+ Carbon Black Earbuds | 7Y8G4AA |
| | Poly Voyager Free 60+ Carbon Black Earbuds | 7Y8H0AA |
| Audio - Headset | HP USB G2 Stereo Headset | 428K6AA |
| | Poly Blackwire 3210 Monaural USB-C Headset | 8X214AA |
| | Poly Blackwire 3215 Monaural USB-C Headset | 8X227AA |
| | Poly Blackwire 3220 Stereo USB-C Headset | 8X228AA |
| | Poly Blackwire 3225 Stereo USB-C Headset | 8X229AA |
| | Poly Blackwire 3310 Monaural USB-C Headset | 8X215AA |
| | Poly Blackwire 3310 Monaural USB-C Headset | 8X216AA |
| | Poly Blackwire 3315 Monaural USB-C Headset | 8X217AA |
| | Poly Blackwire 3315 Monaural USB-C Headset | 8X218AA |
| | Poly Blackwire 3320 Stereo USB-C Headset | 8X219AA |
| | Poly Blackwire 3320 Stereo USB-C Headset | 8X220AA |
| | Poly Blackwire 3325 Stereo USB-C Headset | 8X221AA |
| | Poly Blackwire 3325 Stereo USB-C Headset | 8X222AA |
| | Poly Blackwire 5210 Monaural USB-C Headset | 8X230AA |
| | Poly Blackwire 5220 Stereo USB-C Headset | 8X231AA |
| Poly Blackwire 8225 Stereo USB-C Headset | 8X223AA | |
| Poly Blackwire 8225 Stereo USB-C Headset | 8X225AA | |
| Poly EncorePro 320 Binaural Headset | 77T26AA | |



| | |
|--|---------|
| Poly EncorePro 510 Monoaural Headset | 783Q2AA |
| Poly EncorePro 510 Monoaural Headset | 783Q1AA |
| Poly EncorePro 520 Binaural Headset | 783P6AA |
| Poly EncorePro 520 Binaural Headset | 783P7AA |
| Poly EncorePro 530 Discreet Headset | 783P2AA |
| Poly EncorePro 530 Headset | 783P3AA |
| Poly EncorePro 540 Convertible Headset | 783P0AA |
| Poly EncorePro 540 Convertible Headset | 783P1AA |
| Poly EncorePro 720 Binaural Headset | 8R707AA |
| Poly EncorePro HW710 Single Ear Headset | 8R708AA |
| Poly EncorePro Monoaural 310 Headset | 77T43AA |
| Poly EncorePro Monoaural 515 with USB-A Headset | 783R0AA |
| Poly EncorePro Monoaural 515 with USB-A Headset | 783R1AA |
| Poly EncorePro Stereo 525 with USB-A Headset | 783R2AA |
| Poly EncorePro USB-A Monoaural 715 Headset | 783N5AA |
| Poly EncorePro USB-A Stereo 525 Headset | 783R3AA |
| Poly EncorePro USB-A Stereo 725 Headset | 783M6AA |
| Poly EncorePro USB-C Monoaural 310 Headset | 760Q8AA |
| Poly Savi 7310 DECT 1880-1900 MHz Single Ear Headset | 8D3G3AA |
| Poly Savi 7310 Monoaural DECT 1880-1900 MHz Headset | 8L561AA |
| Poly Savi 7310 Monoaural DECT 1880-1900 MHz Headset | 8L575AA |
| Poly Savi 7310 Monoaural DECT 1920-1930 MHz Headset | 7S430AA |
| Poly Savi 7310 Monoaural DECT 1920-1930 MHz Headset | 8L570AA |
| Poly Savi 7310 Monoaural DECT 1920-1930 MHz Headset | 8L585AA |
| Poly Savi 7310-M DECT 1880-1900 MHz Single Ear Headset | 8D3K7AA |
| Poly Savi 7310-M DECT 1920-1930 MHz Single Ear Headset | 7S439AA |
| Poly Savi 7320 Stereo DECT 1880-1900 MHz Headset | 8D3F7AA |
| Poly Savi 7320 Stereo DECT 1880-1900 MHz Headset | 8L545AA |
| Poly Savi 7320 Stereo DECT 1880-1900 MHz Headset | 8L553AA |
| Poly Savi 7320 Stereo DECT 1893-1906 MHz Headset | 8D3F8AA |
| Poly Savi 7320 Stereo DECT 1893-1906 MHz Headset | 8L546AA |
| Poly Savi 7320 Stereo DECT 1893-1906 MHz Headset | 8L555AA |
| Poly Savi 7320 Stereo DECT 1910-1920 MHz Headset | 8D3G0AA |



| | |
|--|---------|
| Poly Savi 7320 Stereo DECT 1920-1930 MHz Headset | 7S429AA |
| Poly Savi 7320 Stereo DECT 1920-1930 MHz Headset | 8L549AA |
| Poly Savi 7320 Stereo DECT 1920-1930 MHz Headset | 8L559AA |
| Poly Savi 7320-M Stereo DECT 1880-1900 MHz Headset | 8D3J6AA |
| Poly Savi 7320-M Stereo DECT 1893-1906 MHz Headset | 8D3K2AA |
| Poly Savi 7320-M Stereo DECT 1910-1920 MHz Headset | 8D3K0AA |
| Poly Savi 7320-M Stereo DECT 1920-1930 MHz Headset | 7S435AA |
| Poly Savi 7410 Monaural DECT 1880-1900 MHz Headset | 8L589AA |
| Poly Savi 7410 Monaural DECT 1880-1900 MHz Headset | 8L593AA |
| Poly Savi 7410 Monaural DECT 1893-1906 MHz Headset | 8L591AA |
| Poly Savi 7410 Monaural DECT 1893-1906 MHz Headset | 8L594AA |
| Poly Savi 7410 Monaural DECT 1910-1920 MHz Headset | 8L597AA |
| Poly Savi 7410 Monaural DECT 1920-1930 MHz Headset | 8L7D5AA |
| Poly Savi 7410 Monaural DECT 1920-1930 MHz Headset | 8L7D7AA |
| Poly Savi 7420 Stereo DECT 1880-1900 MHz Headset | 8L560AA |
| Poly Savi 7420 Stereo DECT 1880-1900 MHz Headset | 8L574AA |
| Poly Savi 7420 Stereo DECT 1893-1906 MHz Headset | 8L563AA |
| Poly Savi 7420 Stereo DECT 1893-1906 MHz Headset | 8L576AA |
| Poly Savi 7420 Stereo DECT 1910-1920 MHz Headset | 8L564AA |
| Poly Savi 7420 Stereo DECT 1910-1920 MHz Headset | 8L579AA |
| Poly Savi 7420 Stereo DECT 1920-1930 MHz Headset | 8L567AA |
| Poly Savi 7420 Stereo DECT 1920-1930 MHz Headset | 8L583AA |
| Poly Savi 8210 DECT 1880-1900 MHz USB-A Headset | 8D3E9AA |
| Poly Savi 8210 DECT 1880-1900 MHz USB-A Headset | 8D3F1AA |
| Poly Savi 8210 DECT 1920-1930 MHz USB-A Headset | 77T29AA |
| Poly Savi 8210 DECT 1920-1930 MHz USB-A Headset | 77T31AA |
| Poly Savi 8220 DECT 1880-1900 MHz USB-A Headset | 8D3F2AA |
| Poly Savi 8220 DECT 1880-1900 MHz USB-A Headset | 8D3F5AA |
| Poly Savi 8220 DECT 1920-1930 MHz USB-A Headset | 77T33AA |
| Poly Savi 8220 DECT 1920-1930 MHz USB-A Headset | 77Y82AA |
| Poly Savi 8220 Stereo DECT 1880-1900 MHz Top | 8Y9C4AA |
| Poly Savi 8245 DECT 1880-1900 MHz Headset | 8D3H2AA |
| Poly Savi 8245 DECT 1880-1900 MHz USB-A Headset | 8D3F4AA |



| | |
|---|------------------|
| Poly Savi 8410 Monaural DECT 1880-1900 MHz Headset | 8L5A7AA |
| Poly Savi 8410 Monaural DECT 1880-1900 MHz Headset | 8L5A9AA |
| Poly Savi 8410 Monaural DECT 1920-1930 MHz Headset | 8L7E6AA |
| Poly Savi 8410 Monaural DECT 1920-1930 MHz Headset | 8L7E9AA |
| Poly Savi 8420 Stereo DECT 1880-1900 MHz Headset | 8L5B2AA |
| Poly Savi 8420 Stereo DECT 1880-1900 MHz Headset | 8L5B3AA |
| Poly Savi 8420 Stereo DECT 1920-1930 MHz Headset | 8L7F2AA |
| Poly Savi 8420 Stereo DECT 1920-1930 MHz Headset | 8L7F5AA |
| Poly Savi 8445 DECT 1880-1900 MHz Convertible Headset | 8L5B4AA |
| Poly Savi 8445 DECT 1880-1900 MHz Convertible Headset | 8L5B6AA |
| Poly Savi 8445 DECT 1920-1930 MHz Convertible Headset | 8L7F1AA |
| Poly Savi 8445 DECT 1920-1930 MHz Convertible Headset | 8L7F8AA |
| Poly Voyager 4310 Headset | 77Y93AA |
| Poly Voyager 4310 Monaural Headset | 77Y92AA |
| Poly Voyager 4310 USB-A Headset | 76U48AA |
| Poly Voyager 4310 USB-A Headset | 77Y91AA |
| Poly Voyager 4310 USB-C Headset | 77Y94AA |
| Poly Voyager 4310 USB-C Headset | 77Y95AA |
| Poly Voyager 4310 USB-C Headset | 77Y96AA |
| Poly Voyager 4310-M USB-C Headset | 77Y97AA |
| Poly Voyager 4320 Headset | 77Z00AA |
| Poly Voyager 4320 Stereo USB-A Headset | 77Y99AA |
| Poly Voyager 4320 USB-A Headset | 76U49AA |
| Poly Voyager 4320 USB-A Headset | 77Y98AA |
| Poly Voyager 4320 USB-C Headset | 76U50AA |
| Poly Voyager 4320 USB-C Headset | 77Z30AA |
| Poly Voyager 4320 USB-C Headset | 77Z31AA |
| Poly Voyager 4320-M Headset | 77Z32AA |
| Poly Voyager Focus 2 USB-C-C Headset | 9T9J3AA |
| Poly Voyager Focus 2 USB-C-C Headset | 9T9J5AA |
| Poly Voyager Focus 2 USB-C-C Headset | 9T9J6AA |
| Poly Voyager Legend 50 Headset UC | AT9M9AA, AT9M9UT |
| Poly Voyager Legend 50-M Headset UC | AJ8V4AA, AJ8V4UT |



| | | |
|-----------------------|--|------------------|
| | Poly Voyager Surround 80 USB-C Headset | 8G7T9AA |
| | Poly Voyager Surround 80 USB-C Headset | 8G7U0AA |
| | Poly Voyager Surround 85 USB-C Headset | 8G7T7AA |
| | Poly Voyager Surround 85 USB-C Headset | 8G7T8AA |
| Audio - Speaker phone | Poly Sync 10 Speakerphone | 77P34AA |
| | Poly Sync 40 Speakerphone | 77P35AA |
| | Poly Sync 40+ USB-A USB-C Speakerphone | 77P36AA |
| | Poly Sync 40+ USB-A USB-C Speakerphone | 772C5AA |
| | Poly Sync 60 Speakerphone | 772C2AA |
| | Poly Sync 60 Speakerphone | 77P41AA |
| | Poly Sync USB-A USB-C 10 Speakerphone | 772C3AA |
| | Poly Sync USB-A USB-C 40 Speakerphone | 772C4AA |
| Camera | HP 625 Webcam | 6Y7L1AA |
| | HP USB-A 325 Webcam | 53X27AA |
| Cases | HP 14 Convertible Laptop Backpack Tote | 9C2H1AA |
| | HP 14 Modular Laptop Sleeve | 9J499AA |
| | HP 15.6 Modular Laptop Backpack | 9J496AA |
| | HP 15.6 Modular Laptop Bag | 9J497AA |
| | HP 15.6 Modular Laptop Sleeve | 9J498AA |
| | HP Campus blue Backpack | 7K0E5AA |
| | HP Campus green Backpack | 7K0E4AA |
| | HP Campus XL Marble Stone Backpack | 7K0E2AA |
| | HP Campus XL Tie Dye Backpack | 7K0E3AA |
| | HP Convertible Laptop Stand | 9C2H2AA |
| | HP Everyday 14 odyssey gray Laptop Bag | A08KJAA |
| | HP Everyday 14 odyssey gray Laptop Briefcase | A08KGAA |
| | HP Everyday 16 odyssey gray Laptop Backpack | A08KLUT |
| | HP Everyday 16 odyssey gray Laptop Bag | A08KKAA |
| | HP Everyday 16 odyssey gray Laptop Briefcase | A08KHUT |
| | HP Prelude 15.6 Backpack | 1E7D6UT, 50P32AA |
| | HP Prelude 15.6 Top Load | 1E7D7AA, 50P31AA |
| | HP Prelude Pro Recycled 15.6 Backpack | 1X644AA |
| | HP Prelude Pro Recycled 15.6 Top Load | 1X645AA |



| | | |
|-----------|---|------------------|
| | HP Renew Business 14.1 Laptop Bag | 3E5F9AA |
| | HP Renew Business 14.1 Laptop Sleeve | 3E2U7AA |
| | HP Renew Business 15.6 Laptop Bag | 3E5F8AA |
| | HP Renew Business 17.3 Laptop Backpack | 3E2U5UT |
| | HP Renew Business 17.3 Laptop Bag | 3E2U6AA |
| | HP Renew Executive 14.1 Laptop Sleeve | 6B8Y3AA |
| | HP Renew Executive 16 Laptop Backpack | 6B8Y1UT |
| | HP Renew Executive 16 Laptop Bag | 6B8Y2AA |
| | HP Travel 18 Liter 15.6 iron gray Laptop Backpack | 6H2D9AA |
| | HP Travel 25 Liter 15.6 iron gray Laptop Backpack | 6H2D8AA |
| | HP Travel Plus 15 Liter 14 Laptop Bag | A2CE2AA |
| | HP Travel Plus 22 Liter 16 Laptop Bag | A2CE1AA |
| | HP Travel Plus 30 Liter 17 Laptop Backpack | A2CE0AA |
| Commodity | HP USB DVD-Writer External ODD | F2B56AA |
| | HP Combination Nano Cable Lock | 63B28AA |
| | HP Essential Combination Nano Cable Lock | 63B31AA |
| | HP Nano Keyed Cable Lock | 1AJ39AA |
| | HP Nano Master Keyed Cable Lock | 1AJ40AA |
| | HP SureKey Standard/Nano/Wedge Cable Lock | 6UW42AA |
| Docking | HP Thunderbolt™ 100W G6 Dock | 9X472AA, 9X472UT |
| | HP Thunderbolt™ 180W G6 Dock | 9X481AA, 9X481UT |
| | HP Thunderbolt™ 280W G6 Dock | AW5L5AA, AW5M5UT |
| | HP USB-C™ 100W G6 Dock | 9X3V1AA, 9X3V1UT |
| Hub | HP 4K USB-C Multiport Hub | 6G843AA, 6G843UT |
| | HP Universal USB-C Hub and Laptop Charger Combo | 9H0H9AA |
| | HP Universal USB-C Multiport Hub | 50H55UT |
| | HP USB-C to USB-A Hub | Z6A00AA |
| | HP USB-C Travel Hub G3 | 86S97AA, 86S97UT |
| Keyboard | HP 125 G2 Wired Keyboard | AY2Y7AA |
| | HP 225 Wireless Keyboard | 805T1AA |
| | HP 320K G2 Wired Keyboard | 9SR37UT |
| | HP 405 Backlit Wired Keyboard | 7N7C1AA, 7N7C1UT |
| | HP 435 Programmable Wireless Keypad | 7N7C3AA |



| | | |
|------------------------|--|------------------|
| | HP 455 Programmable Wireless Keyboard | 4R177AA |
| | HP 475 Dual-Mode Wireless Keyboard | 7N7B9AA, 7N7B9UT |
| | HP 485 Comfort Wired Keyboard | 8T6M2AA |
| | HP 685 Comfort Dual-Mode Keyboard | 8T6L9UT |
| | HP 725 Multi-Device Rechargeable Wireless Keyboard | 9T5B2AA |
| | HP 965 black Ergonomic Wireless Keyboard | 7E756AA |
| | HP 975 Dual-Mode USB+Bluetooth Wireless Keyboard | 3Z726AA |
| Keyboard & Mouse Combo | HP 225 Wired Mouse and Keyboard Combo | AX2Y7AA |
| | HP 225 Wired Mouse and Keyboard Combo Cashmere White | AW5S6AA |
| | HP 235 Wireless Mouse and Keyboard Combo | 1Y4D0AA, 1Y4D0UT |
| | HP 655 Wireless Keyboard and Mouse Combo | 4R009AA |
| | HP 655 Wireless Keyboard and Mouse Combo G2 | 4R009UT |
| | HP 655 Wireless Keyboard and Mouse Combo White | 860P8AA |
| | HP 685 Comfort Dual-Mode Keyboard and Mouse Combo | 8T6L7UT |
| | HP 725 Multi-Device Rechargeable Wireless Keyboard and Mouse Combo | 9T5B0UT |
| | HP Wired Desktop 320MK Mouse and Keyboard | 9SR36UT |
| Mouse | HP 105 Black Wired Mouse | 822M9UT |
| | HP 105 Mouse Pad | 8X595AA |
| | HP 125 Wired Mouse | 265A9UT |
| | HP 128 Laser Wired Mouse | 265D9AA |
| | HP 205 Desk Mat | 8X597AA |
| | HP 235 Slim Wireless Mouse | 4E407UT |
| | HP 245 Black Bluetooth Mouse | 81S67AA, 81S67UT |
| | HP 255 Dual Wireless Mouse | 8R3U1AA, 8R3U1UT |
| | HP 285 Silent Wireless Mouse | 6G4E6AA |
| | HP 320M Wired Mouse | 9VA80AA |
| | HP 405 Quiet Black Wireless Mouse | AZ7B3AA |
| | HP 425 Programmable Wireless Mouse | 7M1D5AA |
| | HP 435 Multi-Device Wireless Mouse | 3B4Q5UT |
| | HP 515 Ultra-Fast Rechargeable Wireless Mouse | 9C2F7AA |
| | HP 685 Comfort Dual-Mode Mouse | 8T6M0UT |
| | HP 695 Qi-Charging Wireless Mouse | 8F1Y4AA |



QuickSpecs

HP EliteBook X G2i 14 inch Notebook Next Gen AI PC

Power

| | |
|--|------------------|
| HP 705 Rechargeable Wireless Mouse | AZ7B1AA |
| HP 715 Rechargeable Multi-Device Bluetooth Mouse | 6E6F0AA |
| HP 925 Ergonomic Vertical Wireless Mouse | 6H1A5AA |
| HP Ultra-Fast Scroll Wireless Mouse 785M | B8YX4AA |
| HP 110W USB-C Laptop Charger | 8B3Y2UT |
| HP 65W Gallium Nitride USB-C LC Laptop Charger | 9Y3X5AA, 9Y3X5UT |
| HP 65W LC USB-C AC power adapter | 1P3K6AA |
| HP 65W LC HF USB-C AC power adapter | AJ7X5AA |
| HP 65W Gallium Nitride USB-C Laptop Charger | 600Q8UT |
| HP 65W USB-C Laptop Charger | 671R3UT |



CHANGELOG

| Date of change | Version History | | Description of change |
|-------------------|-----------------|------------------|--|
| February 2, 2026 | V1 to v2 | Updated | Processor Section Battery Life Section Power Section |
| February 4, 2026 | V2 to V3 | Updated | Display Section Audio Section Software and Security Section Power Section |
| February 5, 2026 | V3 to V4 | Added | Software and Security Section |
| February 26, 2026 | V4 to V5 | Updated | Display Section |
| March 3, 2026 | V5 to V6 | Added | Environmental Data Section |
| March 13, 2026 | V6 to V7 | Updated | Power Section Audio Section |
| March 27, 2026 | V7 to V8 | Added Updated | Battery Life Section Processors Section |
| April 6, 2026 | V8 to V9 | Updated | Power Section |

© Copyright 2026 HP Development Company, L.P. The information contained herein is subject to change without notice. The only warranties for HP products and services are set forth in the express warranty statements accompanying such products and services. Nothing herein should be construed as constituting an additional warranty. HP shall not be liable for technical or editorial errors or omissions contained herein.

Intel, Core, Thunderbolt and Intel vPro are trademarks or registered trademarks of Intel Corporation or its subsidiaries in the United States and other countries. DisplayPort™ and the DisplayPort™ logo are trademarks owned by the Video Electronics Standards Association (VESA®) in the United States and other countries. USB Type-C® and USB-C® are trademarks of USB Implementers Forum. ENERGY STAR is a registered trademark of the U.S. Environmental Protection Agency. Microsoft and Windows are either registered trademarks or trademarks of Microsoft Corporation in the United States and/or other countries.

