

TOUCHSCREENS
INFORMATION

24" DeepContrast PCAP+ 10-point touchscreen monitor with robust metal housing for demanding environments

The ProLite T2438MSC-B2 is a responsive and reliable 24" Full HD touchscreen monitor designed for both demanding environments and everyday commercial use. The IPS panel delivers clear, vibrant images with wide viewing angles, ensuring excellent visibility at workstations, service counters or customer-facing installations.



DeepContrast PCAP+ (Optical Bonding) 10-point touch technology provides smooth and accurate interaction for intuitive daily use. The edge-to-edge glass is scratch-resistant (7H) and features an anti-fingerprint coating, helping the screen stay clean and professional-looking even with frequent touch. Protection against humidity and dripping water (IPX1) adds extra confidence in busy workplaces.

A robust metal housing ensures long-term durability, while the adjustable angle stand and integrated cable management create a tidy, ergonomic setup. With built-in speakers and flexible connectivity including HDMI, DisplayPort and a USB 3.2 hub, this monitor adapts easily to different installations. Supporting landscape, portrait and face-up orientations, it is a versatile solution for retail, POS, interactive signage and professional workspaces in demanding environments.



Vivid colors and wide viewing angles

Ensure perfect visibility from any position - The IPS panel delivers vivid, consistent colors and wide viewing angles, ideal for dynamic retail environments and busy commercial spaces.



Tough on scratches, clean to the touch

Built for everyday interaction, the 7H scratch resistant front glass stays tough and clear, while the anti fingerprint coating keeps it clean and professional. With front side protection against humidity and dripping water, it's made to handle real world use with confidence.



Built tough, lasts longer & performs anywhere

With a robust metal housing and hardened front glass, this monitor goes beyond the ordinary, outlasting standard plastic housing monitors and performing reliably in demanding environments.



Responsive interaction and good protection

Featuring intuitive PCAP touch technology with DeepContrast PCAP+, the screen offers smooth and responsive interaction with reduced glare, while remaining protected from moisture and condensation. Perfect for high-use environments.

SPECIFICATION

01 DISPLAY CHARACTERISTICS

Design	Edge to edge glass
Diagonal	23.8", 60.5cm
Panel	IPS
Native resolution	1920 x 1080 @120Hz (2.1 megapixel Full HD)
Aspect ratio	16:9
Panel brightness	600 cd/m ²
Brightness	525 cd/m ² with touch
Light transmittance	87%
Static contrast	1300:1 with touch
Response time (GTG)	5ms
Viewing zone	horizontal/vertical: 178°/178°, right/left: 89°/89°, up/down: 89°/89°
Colour support	16.7mln 8bit
Horizontal Sync	30 - 138kHz
Viewable area W x H	527 x 296.5mm
Bezel width (sides, top, bottom)	17.25mm, 20.3mm, 20.3mm
Pixel pitch	0.275mm
Bezel colour and finish	black, matte

02 TOUCH

Touch technology	DeepContrast-PCAP+
Touch points	10 (HID, only with supported OS)
Touch accuracy	+ - 2mm
Touch method	finger, glove (latex), capacitive stylus
Touch interface	USB
Supported operating systems	All iiyama monitors are Plug & Play and compatible with Windows and Linux. For details regarding the supported OS for the touch models, please refer to the driver instruction file available in the downloads section.

03 INTERFACES / CONNECTORS / CONTROLS

Digital signal input	HDMI x1 DisplayPort x1
Audio output	Mini jack x1 Speakers 2 x 2W
HDCP	yes
USB HUB	x2 (USB3.2 Gen 1 (5Gbps, 5V, 900mA))

04 FEATURES

Extra DeepContrast PCAP+, metal housing, anti fingerprint coating, waterproof Touch function

Kiosk mode	yes
Glass thickness	3.6mm
Glass hardness	7H
60950 Ball drop test	yes
Water and dust protection	IP1X (front)
Housing (bezel)	metal
OSD key lock	yes

05 GENERAL

OSD languages	EN, DE, FR, ES, IT, PT, RU, JP, NL, PL
Control buttons	Menu, Scroll up/ Eco, Scroll down/ Volume, Enter/ Input select, Power
User controls	Picture adjust (brightness, contrast, i-Style color, adv. contrast, ECO mode, OD, X-Res), color settings (gamma, RGB range, color. temp.), image settings (video mode adjust, blue light reducer, sharp & soft), OSD (H. pos., V. pos., time, background, rotate, language, display information), extra (reset, DDC/CI, signal select, volume, mute, led, opening logo, touch switch)
Blue light reducer	yes
Flicker free	yes
Plug&Play	DDC2B

06 MECHANICAL

Orientation	landscape, portrait, face-up
Fanless design	yes
VESA mounting	100 x 100mm
Cable management system	yes
MTBF	50000 hours (excluding backlight)

07 ACCESSORIES INCLUDED

Cables	power (1.8m), USB (1.5m), HDMI (1.5m)
Guides	quick start guide, safety guide
Other	Screwdriver
Cable cover	yes

08 POWER MANAGEMENT

Power supply unit	internal
Power supply	AC 100 - 240V, 50/60Hz
Power usage	22W typical, 1.5W stand by, 0.3W off mode

09 SUSTAINABILITY

Regulations CE, TÜV-Bauart, EAC, RoHS support, ErP, WEEE, REACH, UKCA, cTUVus

Energy efficiency class (Regulation (EU) 2017/1369) E

REACH SVHC above 0.1%: Lead

10 DIMENSIONS / WEIGHT

Product dimensions 562 x 366 x 240mm
W x H x D

Box dimensions W x H x D 650 x 430 x 150mm

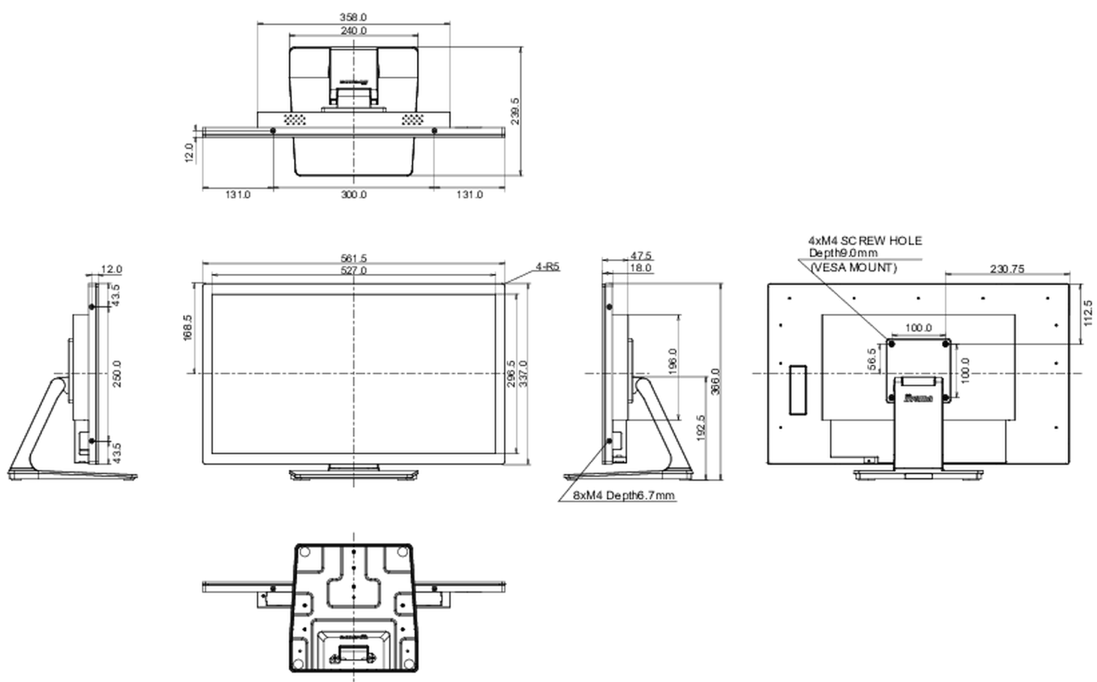
Weight (without box) 8kg

Weight (with box) 10kg

EAN code 4948570127276

11 EU ENERGY EFFICIENCY LABEL

Energy efficiency class (Regulation (EU) 2017/1369) E





All trademarks and registered trademarks acknowledged. E & O E. Specification subject to change without notice. All LCD's comply with ISO-9241-307:2008 in connection with pixel defects. © IIYAMA CORPORATION. ALL RIGHTS RESERVED