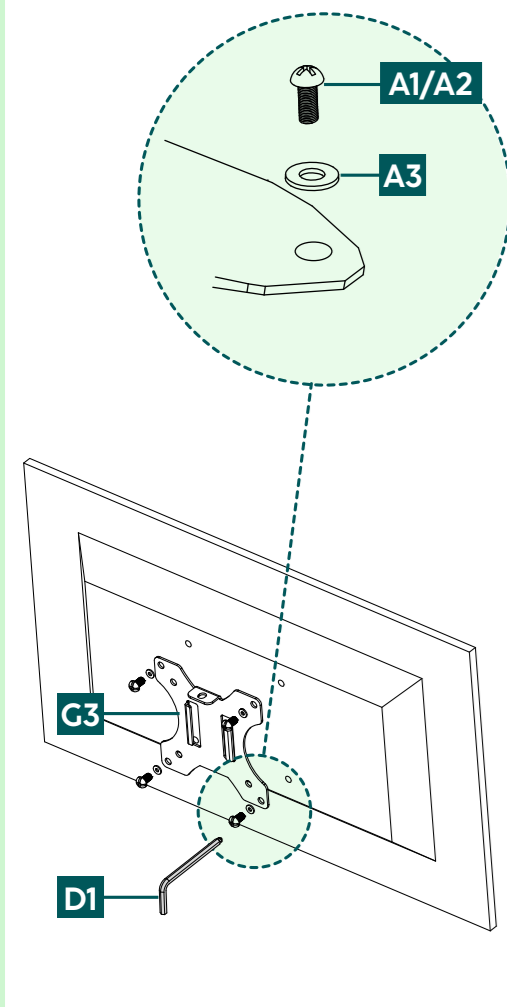
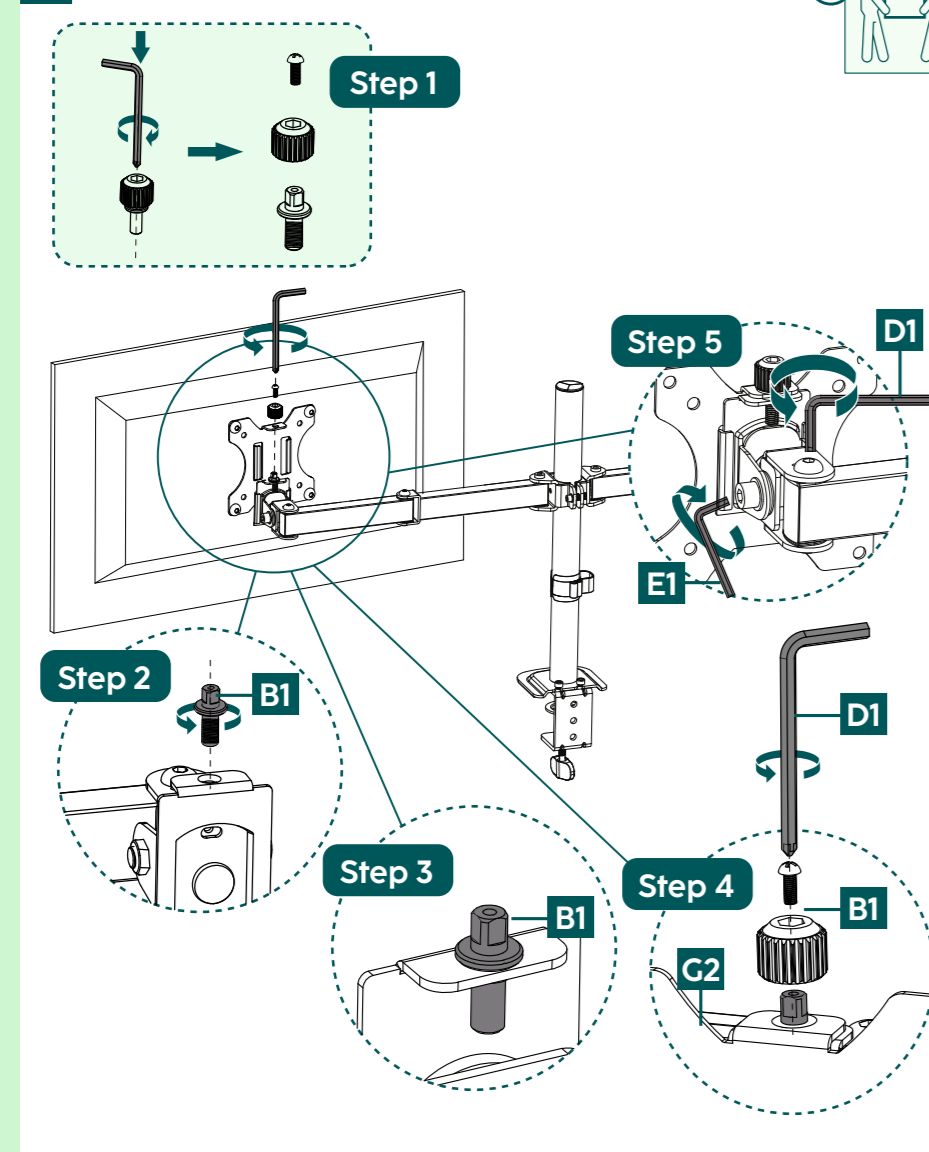


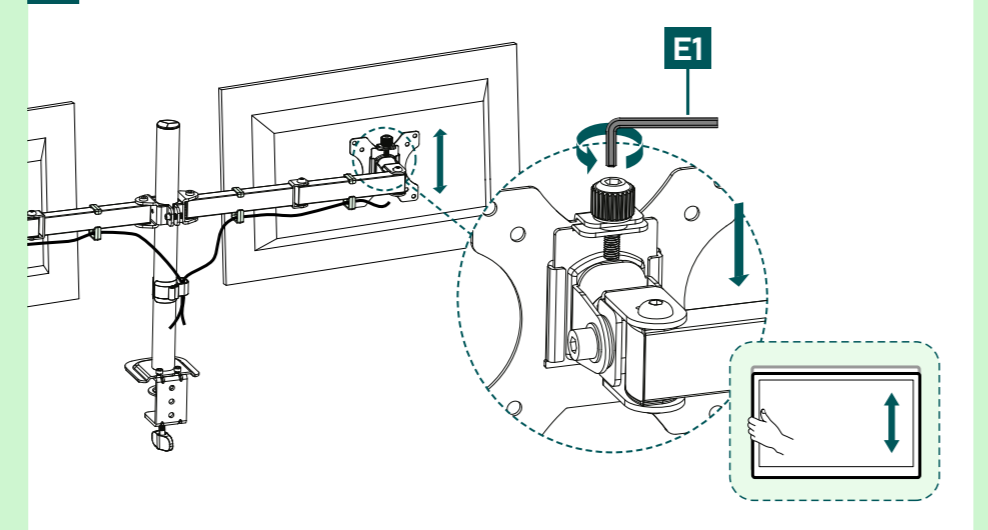
**5** Mounting the VESA plate



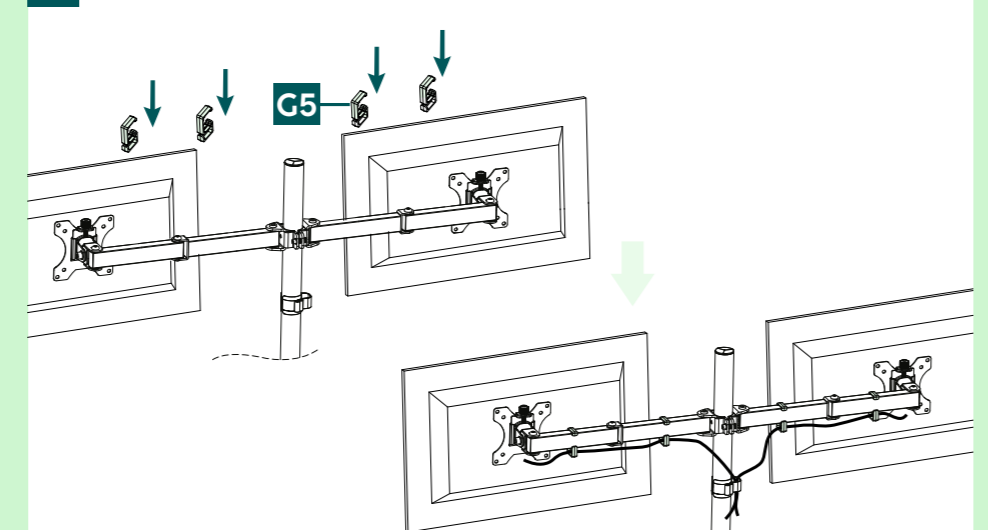
**6** Mounting the monitors



**7** Correcting the screen height



**7** Thread the cable



We are so happy you have chosen a Hama product.

**Enjoy using it!**

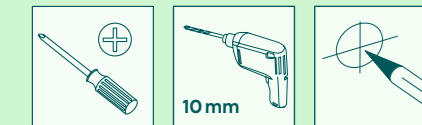


**hama**



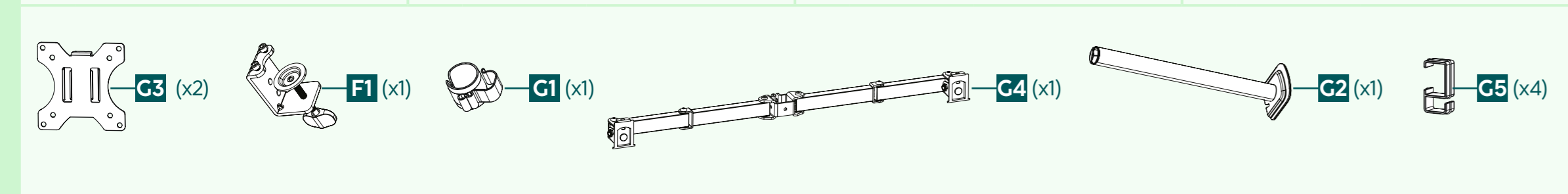
# Quick Installation Guide

## Required tools



## Installation kit

<b>A1</b>		M4x12 (x8)	<b>A3</b>		D5 (x8)	<b>C1</b>		(x3)	<b>E1</b>		6 mm (x1)
<b>A2</b>		M5x12 (x8)	<b>B1</b>		(x2)	<b>D1</b>		5 mm (x1)	<b>H1</b>		(x2)

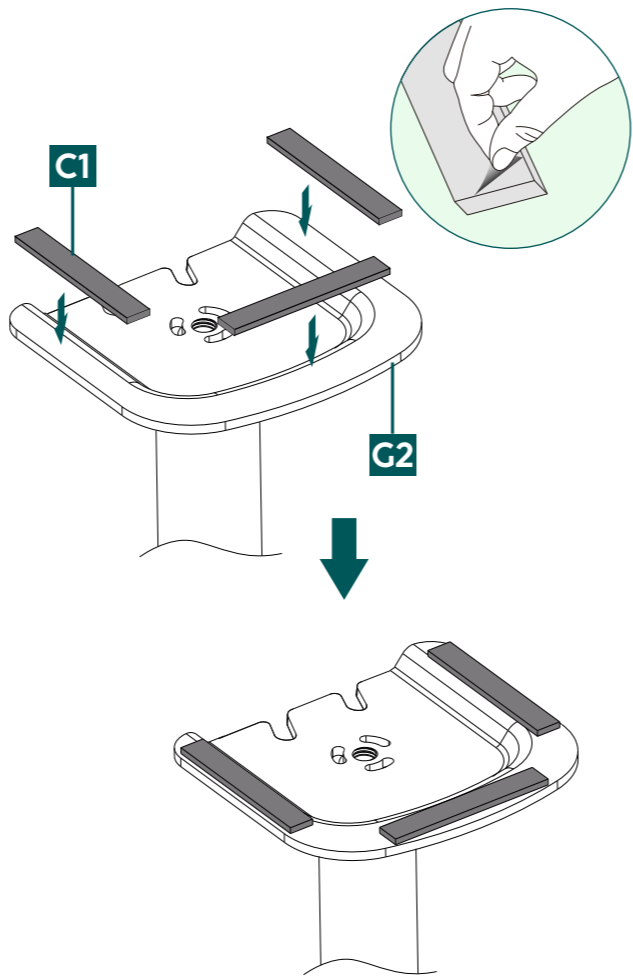


Do you need more help?

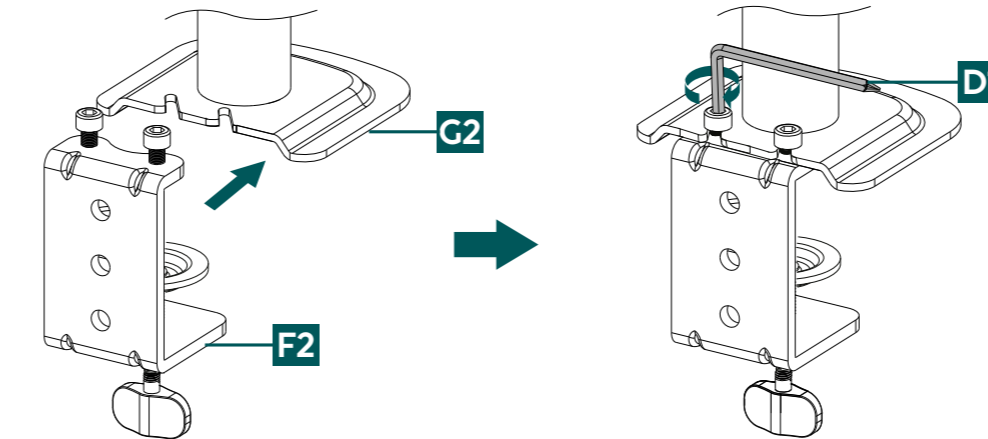


Scan QR or visit:  
[support.hama.com/00220903](http://support.hama.com/00220903)

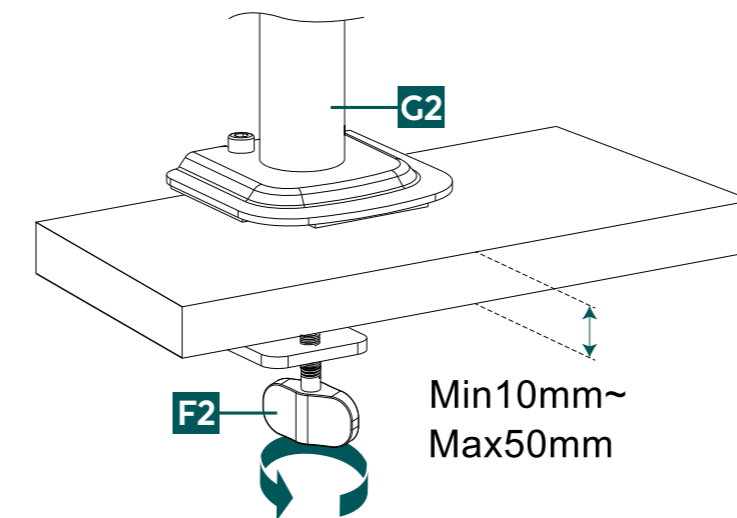
### 1 Preparing Attach foam strips



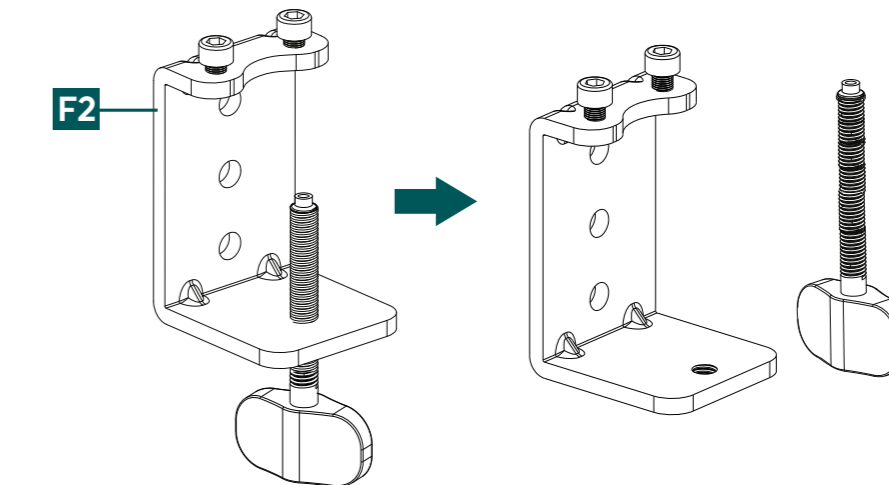
### 2a Option A: Clamp mounting - Assembling



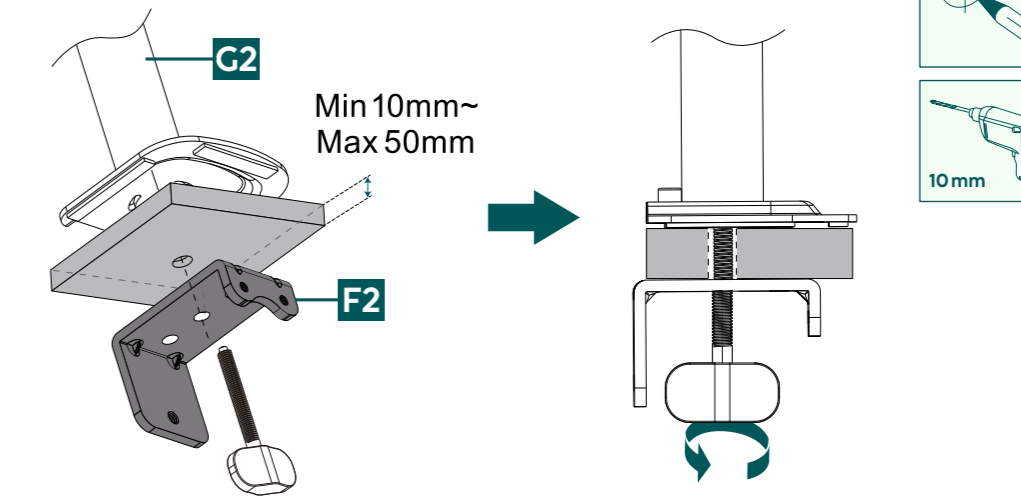
### 2b Option A: Clamp mounting - Attach to the table



### 3a Option B: Drilling - Prepare for assembling



### 3b Option B: Drilling - Assembling



### 4 Mounting the monitor arm

