

TOUCHSCREENS**INFORMATION****24" multi-touch monitor with edge-to-edge glass, anti fingerprint coating, integrated webcam and a flexible stand**

The ProLite T2455MSC combines precise touch performance with a smart, space-saving design created for modern workstyles. Its unique foldable stand allows the monitor to lay completely flat when closed, with no visible support behind it. This makes it easy to move, store, or transport whenever the screen is not in use, perfect for flexible workspaces, shared desks, events, or on-the-go presentations. The Full HD (1920×1080) IPS panel delivers vivid colours and wide viewing angles, while accurate 10-point DeepContrast PCAP+ touch technology ensures smooth, responsive interaction. A special nano coating reduces friction during touch gestures and helps prevent fingerprints, dust, and static buildup, keeping the screen clean and comfortable to use throughout the day.

With an integrated webcam, microphone and speakers, the T2455MSC also serves as a complete communication hub for video meetings and collaboration. The adjustable stand provides multiple viewing angles for ergonomic comfort during extended use, whether you're working, presenting, or interacting directly on the screen. A versatile touchscreen solution designed to adapt to your space, your workflow, and your mobility needs.



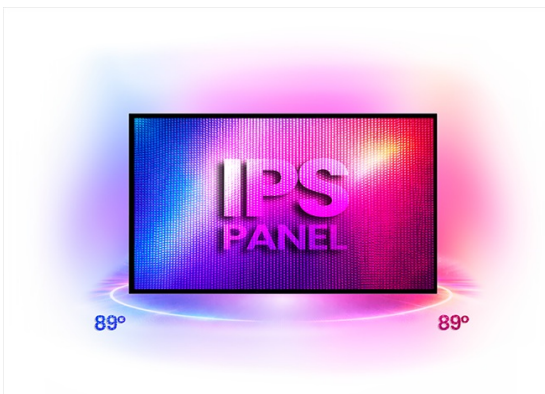
Built-in webcam, microphone & speakers

With an integrated webcam, speakers and microphone, this monitor delivers clutter-free video conferencing for office, commercial and home office environments.



Foldable stand for individual ergonomics

The adjustable stand provides multiple viewing angles for ergonomic comfort during extended use, whether you're working, presenting, or interacting directly on the screen



Vivid colors and wide viewing angles

Ensure perfect visibility from any position - The IPS panel delivers vivid, consistent colors and wide viewing angles, ideal for dynamic retail environments and busy commercial spaces.



Anti-fingerprint coating, Scratch resistance

This special Nano coating ensures a smoother touch and less resistance in the swipe. It makes the screen less static and susceptible to dirt, dust, fingerprints and it improves the clarity of the content displayed on the screen. A protective glass overlay covering the screen provides enhanced durability, ensuring reliable touch performance over time. The touch functionality remains fully operational and unaffected.

SPECIFICATION

01 DISPLAY CHARACTERISTICS

Design	Edge to edge glass
Diagonal	23.8", 60.5cm
Panel	IPS
Native resolution	1920 x 1080 @120Hz (2.1 megapixel Full HD)
Aspect ratio	16:9
Panel brightness	400 cd/m ²
Brightness	360 cd/m ² with touch
Light transmittance	90%
Static contrast	1300:1 with touch
Response time (GTG)	5ms
Viewing zone	horizontal/vertical: 178°/178°, right/left: 89°/89°, up/down: 89°/89°
Colour support	16.7mln 8bit
Horizontal Sync	30 - 138kHz
Viewable area W x H	527 x 296.5mm
Pixel pitch	0.275mm
Bezel colour and finish	black, matte

02 TOUCH

Touch technology	DeepContrast-PCAP+
Touch points	10 (HID, only with supported OS)
Touch accuracy	+/- 2mm
Touch method	stylus, finger, glove (latex)
Touch interface	USB
Supported operating systems	All iiyama monitors are Plug & Play and compatible with Windows and Linux. For details regarding the supported OS for the touch models, please refer to the driver instruction file available in the downloads section.
Palm rejection	yes

03 INTERFACES / CONNECTORS / CONTROLS

Digital signal input	HDMI x1 DisplayPort x1
Audio output	Mini jack x1 Speakers 2 x 1W
HDCP	yes
USB HUB	x2 (v.3.2 (Gen 1, 5Gbit, DC5V, 900mA))

04 FEATURES

Extra anti-fingerprint coating, integrated webcam and microphone

Glass hardness	7H
OSD key lock	yes

05 GENERAL

OSD languages	EN, DE, FR, ES, IT, PT, RU, JP, NL, PL
Control buttons	Menu, scroll up / ECO, scroll down / volume, select / input, power
User controls	Picture adjust (brightness, contrast, i-Style Color, adv. contrast, ECO, OverDrive, X-Rs technology), color settings (gamma, RGB range, color temp.), image settings (video mode adjust, blue light reducer, sharp and soft), OSD (horizontal pos., vertical pos., OSD time, OSD background, language, display information), extra (reset, DDC/CI, signal select, volume, mute, opening logo, led, touch switch)
Blue light reducer	yes
Flicker free	yes
Plug&Play	DDC2B

06 MECHANICAL

Tilt angle	15° up; 65° down
VESA mounting	100 x 100mm
MTBF	50000 hours (excluding backlight)

07 ACCESSORIES INCLUDED

Cables	power (1.8m), USB (1.5m), HDMI (1.5m)
Guides	quick start guide, safety guide
Other	spiral tube

08 POWER MANAGEMENT

Power supply unit	internal
Power supply	AC 100 - 240V, 50/60Hz
Power usage	18W typical, 1.5W stand by, 0.3W off mode

09 SUSTAINABILITY

Regulations	CE, TÜV-Bauart, EAC, RoHS support, ErP, WEEE, REACH, UKCA, cTUVus
Energy efficiency class (Regulation (EU) 2017/1369)	E
REACH SVHC	above 0.1%: Lead

10 DIMENSIONS / WEIGHT

Product dimensions W x H x D	567 x 338 x 43.5mm
Box dimensions W x H x D	635 x 405 x 115mm

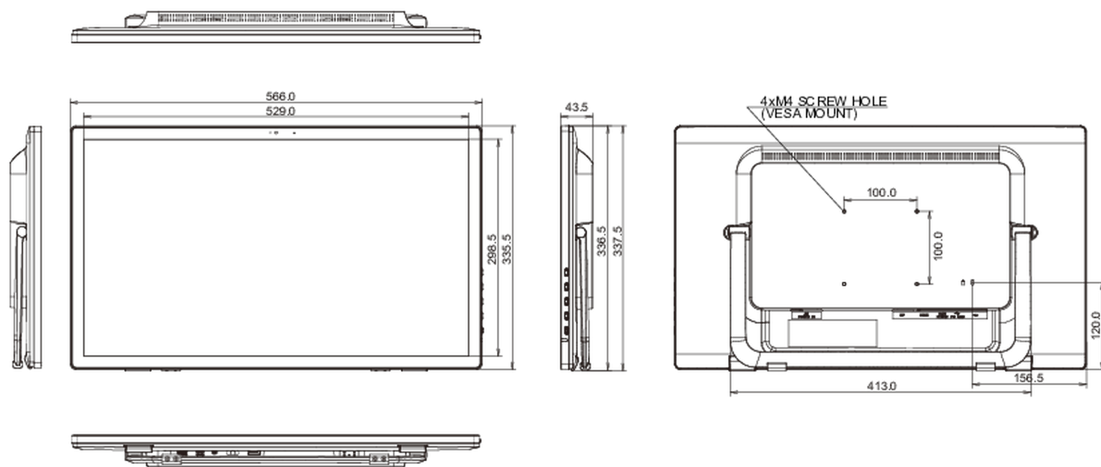
Weight (without box) 4.4kg

Weight (with box) 5.8kg

EAN code 4948570127283

11 EU ENERGY EFFICIENCY LABEL

Energy efficiency class (Regulation (EU) 2017/1369) **E**





All trademarks and registered trademarks acknowledged. E & O E. Specification subject to change without notice. All LCD's comply with ISO-9241-307:2008 in connection with pixel defects. © IIYAMA CORPORATION. ALL RIGHTS RESERVED