

## WL15-602BL1

## NEOMOUNTS WL15-602BL1 TABLET CASING - 12.4-13" | 31,5-33 CM - LOCKABLE

### SPECIFICATIONS

#### GENERAL

Min. screen size*	12.4
Max. screen size*	13
Max. weight	1
Screens	1
VESA minimum	75x75 mm
VESA maximum	75x75 mm

#### FUNCTIE

Lockable	Lockable - Lock included
Height	35,0 cm
Width	25,7 cm
Depth	2,2 cm
Adjustment type	None

#### INFORMATION

Color	Black
Main material	Steel
Warranty	5 year

\*Please note: The inch sizes stated are just an indication, combined with the weight and VESA sizes. The maximum weight and VESA size are absolute restrictions for the products and should not be exceeded.



Neomounts



Neomounts

### Neomounts WL15-602BL1 Tablet casing - lockable (incl. lock) - VESA 75x75 - suitable for various 12.4-13" tablets - for modular set up with variety of desk and floor stands - Black

The Neomounts WL15-602BL1 is a tablet casing that can be installed both in portrait and landscape orientation. The tablet casing features an anti-theft lock and can be installed on suitable Neomounts stands.

The strong aluminum construction ensures safe and solid placement while the cable management system enables cables to be routed within or outside of the casing. A cable with a right-angle connector can be useful for the best installation. The clever design includes different tablet inlay panels making the casing suitable for various 12,4-13"\* tablets.

The tablet casing is part of a modular set up and must be combined with one of the following stands:

DS15- 629BL1: desk stand - for desk or wall mounting

DS15- 631BL1: desk stand - for desk mounting or stand-alone

DS15- 632BL1: desk stand - for desk mounting

FL15-627BL1: floor stand - tiltable and rotatable position

FL15-628BL1: floor stand - fixed landscape or portrait position

\*Suitable for:

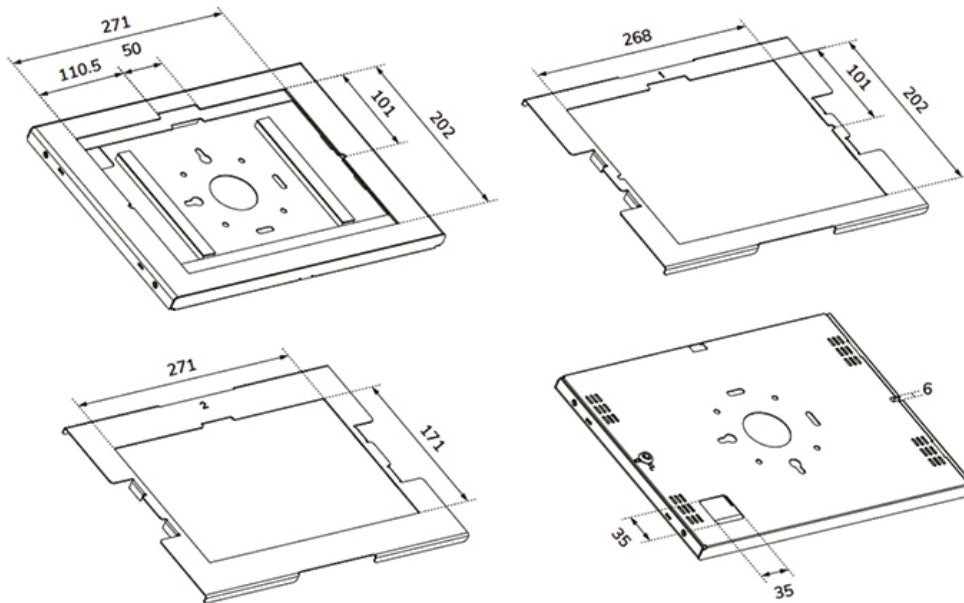
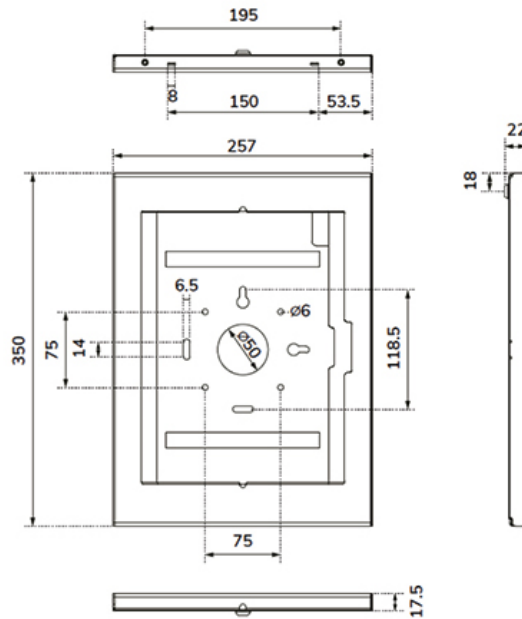
12,9" Apple iPad Pro 3, 4, 5, 6

13" Apple iPad Pro 7 & iPad Air 6, 7, 8

12,4" Samsung Galaxy TAB S7+, S8+, S9+/FE+, S10+

WL15-602BL1

## NEOMOUNTS WL15-602BL1 TABLET CASING - 12.4-13" | 31,5-33 CM - LOCKABLE



Neomounts

Measuring unit: mm