

P340
User Guide

ThinkStation



Read this first

Before using this documentation and the product it supports, ensure that you read and understand the following:

- Appendix B “Important safety information” on page 101
- *Safety and Warranty Guide*
- *Setup Guide*

Fourth Edition (January 2023)

© Copyright Lenovo 2020, 2023.

LIMITED AND RESTRICTED RIGHTS NOTICE: If data or software is delivered pursuant to a General Services Administration “GSA” contract, use, reproduction, or disclosure is subject to restrictions set forth in Contract No. GS-35F-05925.

Contents

About this documentation iii

Chapter 1. Meet your computer 1

Front	1
Rear	3
Internal storage drives	5
Features and specifications	7
Statement on USB transfer rate	8

Chapter 2. Get started with your computer 9

Get started with Ubuntu Desktop	9
Connect to networks	9
Connect to the wired Ethernet	9
Connect to Wi-Fi networks (for selected models)	10
Use multimedia	10
Use audio	10
Connect to an external display	10

Chapter 3. Explore your computer 11

Manage power	11
Set power button behaviors	11
Set the power plan	11
Transfer data	11
Connect to a Bluetooth-enabled device (for selected models)	11
Use the optical drive (for selected models)	12
Use a media card (for selected models)	12
Use a smart cable clip (for selected models)	12
Purchase accessories	13

Chapter 4. Secure your computer and information 15

Lock the computer	15
Use passwords	16
Use Computrace Agent software embedded in firmware (for selected models)	17
Use BIOS security solutions	17
Erase all storage drive data	18
Use the cover presence switch	18
Use Intel BIOS Guard	18
Use Smart USB Protection	18

Chapter 5. UEFI BIOS 21

What is UEFI BIOS	21
Enter the BIOS menu	21
Navigate in the BIOS interface	21

Change the display language of UEFI BIOS	21
Change the display mode of UEFI BIOS	22
Set the system date and time	22
Change the startup sequence	22
Enable or disable the configuration change detection feature	23
Enable or disable the automatic power-on feature	23
Enable or disable the smart power-on feature	23
Enable or disable the ErP LPS compliance mode	23
Enable or disable front and rear USB ports	24
Change the ITS performance mode	24
Change BIOS settings before installing a new operating system	25
Update UEFI BIOS	25
Recover from a BIOS update failure	25
Clear CMOS	26

Chapter 6. RAID 27

What is RAID	27
RAID Level	27
Configure the system BIOS to enable SATA RAID functionality	27

Chapter 7. Troubleshooting, diagnostics, and recovery 29

Basic procedure for resolving computer problems	29
Troubleshooting	29
Startup problems	30
Audio problems	30
Network problems	30
Performance problems	32
Storage drive problems	32
CD or DVD problems	33
Serial connector problems	34
USB device problems	34
Software problems	34
Lenovo diagnostic tools	34

Chapter 8. CRU replacement 37

What are CRUs	37
Replace a CRU	38
Computer cover	38
Slim optical drive	39
Front bezel	43
Primary storage drives	44
3.5-inch primary storage drive cage	52

Slim-optical-drive cage	53
Secondary storage drives	55
Storage drive in the front-access storage enclosure	59
PCI-Express card	67
Graphics card.	68
M.2 solid-state drive and heat sink	72
M.2 solid-state drive bracket	78
Front fan.	79
Rear fan	80
Heat-sink-and-fan assembly	82
Chassis beam.	86
Memory module.	88
Coin-cell battery.	90
Power supply assembly	91
E-lock.	93
Chapter 9. Help and support	95
Self-help resources	95
Call Lenovo	96
Before you contact Lenovo	96

Lenovo Customer Support Center	96
Purchase additional services.	97

Appendix A. System memory speed. 99

Appendix B. Important safety information.101

Appendix C. Accessibility and ergonomic information115

Appendix D. Supplemental information about the Ubuntu operating system117

Appendix E. Compliance and TCO Certified information.119

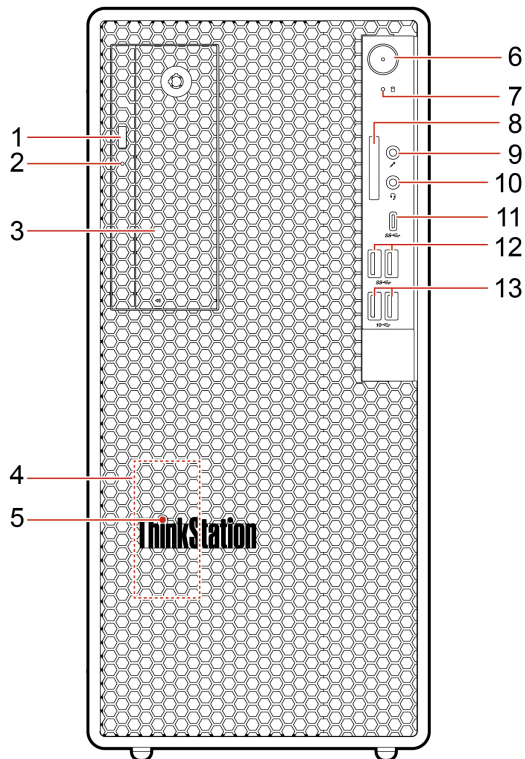
Appendix F. Notices and trademarks.129


About this documentation

- Illustrations in this documentation might look different from your product.
- Depending on the model, some optional accessories, features, and software programs might not be available on your computer.
- Depending on the version of operating systems and programs, some user interface instructions might not be applicable to your computer.
- Documentation content is subject to change without notice. Lenovo makes constant improvements on the documentation of your computer, including this *User Guide*. To get the latest documentation, go to: <https://pcsupport.lenovo.com>
- Canonical® makes periodic feature changes to the Ubuntu® operating system through Software Updates. As a result, some information in this documentation might become outdated. Refer to Ubuntu resources for the latest information.

Chapter 1. Meet your computer

Front

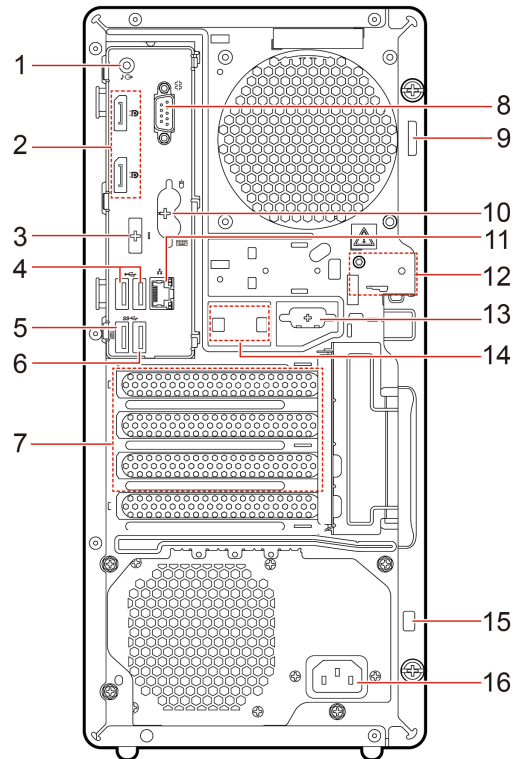


1. Optical drive eject button*	Eject the slim-optical-drive cage.
2. Optical drive activity indicator*	This indicator is on when the slim optical drive is in use.
3. Flex bay	See “Internal storage drives” on page 5
4. Internal speaker	Enable you to experience high-quality sound.
5. ThinkStation® LED	This indicator is on when the computer is on. Press to turn on the computer. To turn off the computer, open the system menu, click the power icon  , and then select Power Off .
6. Power button	The indicator in the power button shows the system status of your computer. <ul style="list-style-type: none"> • On: The computer is on. • Off: The computer is off or in hibernation mode. • Blinking: The computer is in sleep mode.
7. Storage drive activity indicator	This indicator is on when the storage drive is in use.

8. SD-card slot	<p>Supported cards:</p> <ul style="list-style-type: none"> • Secure Digital (SD) card* • Secure Digital eXtended-Capacity (SDXC) UHS-1 card* • Secure Digital High-Capacity (SDHC) UHS-1 card* <p>Note: Your computer does not support the content protection for recordable media (CPRM) feature for the SD card.</p> <p>See “Use a media card (for selected models)” on page 12.</p>
9. Microphone connector	Connect a microphone.
10. Headphone connector	Connect headphones to your computer.
11. USB-C™ (3.2 Gen 1) connector	<ul style="list-style-type: none"> • Charge USB-C compatible devices with the output voltage and current of 5 V and 3 A. • Transfer data at USB 3.2 speed, up to 5 Gbps. • Connect to USB-C accessories to help expand your computer functionality. To purchase USB-C accessories, go to https://www.lenovo.com/accessories.
12. USB 3.2 connectors Gen 1	Connect USB-compatible devices, such as a USB keyboard, USB mouse, USB storage device, or USB printer.
13. USB 3.2 connectors Gen 2	Enable you to experience higher data transfer rate when you connect USB-compatible devices, such as a USB keyboard, USB mouse, USB storage device, or USB printer.

* for selected models

Rear



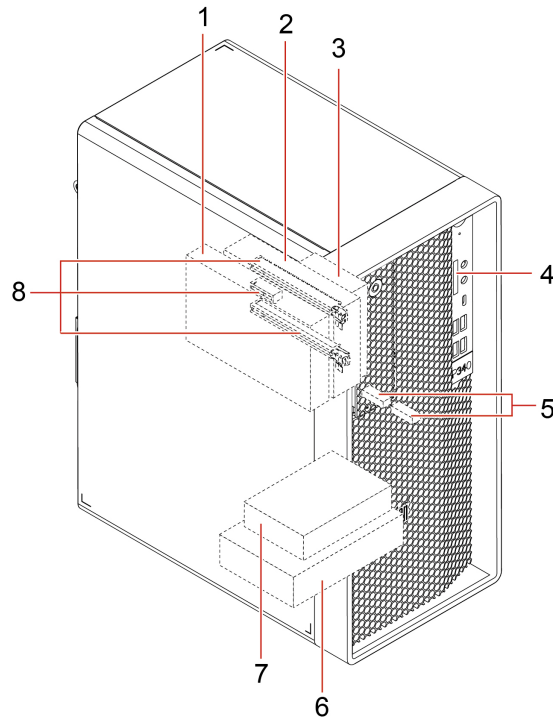
<p>1. Audio line-out connector</p>	<p>Send audio signals from the computer to external devices, such as powered stereo speakers, headphones, or multimedia keyboards. To connect a stereo system or other external recording device, connect a cable between the audio line-in connector of the device and the audio line-out connector of the computer.</p> <p>Note: If your computer has both an audio line-out connector and a headset or headphone connector, always use the headset or headphone connector for earphones, headphones, or a headset. The headphone connector does not support headset microphones.</p>
<p>2. DisplayPort® out connectors</p>	<p>Send audio and video signals from the computer to another audio or video device, such as a high-performance monitor.</p>
<p>3. Optional connector*</p>	<p>Depending on the computer model, the connector might be a DisplayPort out connector, a USB-C connector, or an HDMI™ out connector.</p>
<p>4. USB 2.0 connectors</p>	<p>Connect USB-compatible devices, such as a USB keyboard, USB mouse, USB storage device, or USB printer.</p>
<p>5. USB 3.2 connector Gen 1</p>	<p>Connect USB-compatible devices, such as a USB keyboard, USB mouse, USB storage device, or USB printer. This connector supports the smart power-on feature. For more information, see “Enable or disable the smart power-on feature” on page 23.</p>
<p>6. USB 3.2 connector Gen 1</p>	<p>Connect USB-compatible devices, such as a USB keyboard, USB mouse, USB storage device, or USB printer.</p>

7. PCI-Express card area	<p>Install PCI-Express cards into this area to improve the operating performance of the computer. Depending on the computer model, the connectors in this area vary.</p> <p>Note: For the area under the PCI-Express card area, you can install a supported cable via a PCI bracket, such as a parallel cable or a serial cable. The PCI bracket comes with the cable.</p>
8. Serial connector	Connect an external modem, a serial printer, or other devices that use a serial connector.
9. Padlock loop	Lock the computer cover through a padlock.
10. PS/2 keyboard and mouse connectors*	Connect a keyboard, a mouse, a trackball, or other pointing devices that use a Personal System/2 (PS/2) keyboard connector.
11. Ethernet connector	Connect to a local area network (LAN). When the green indicator is on, the computer is connected to a LAN. When the yellow indicator blinks, data is being transmitted.
12. E-lock slots	Lock the computer cover through an E-lock.
13. Serial connector*	Connect an external modem, a serial printer, or other devices that use a serial connector.
14. Smart cable clip slots	Lock devices (such as the keyboard and the mouse) to your computer through a smart cable clip.
15. Security-lock slot	Lock your computer to a desk, table, or other fixtures through a Kensington-style cable lock.
16. Power cord connector	Connect the power cord to your computer for power supply.

* for selected models

Internal storage drives

Internal storage drives are devices that your computer uses to read and store data. You can add drives to your computer to increase storage capacity and enable your computer to read other types of media.



1. Slim-optical-drive cage*	You can install a slim optical drive in this cage.
-----------------------------	--

Note: The flex bay must be used together with the slim-optical-drive cage.

You can install one of the following devices in the flex bay.

- 3.5-inch secondary storage drive cage
- 3.5-inch front-access storage enclosure

In the 3.5-inch secondary storage drive cage or 3.5-inch front-access storage enclosure, you can install the following storage drives:

- 3.5-inch storage drive
- 2.5-inch storage drive with a storage drive converter

2. Flex bay	
-------------	--

3. 2.5-inch secondary storage drive cage*	You can install a 2.5-inch storage drive in this cage when the flex bay is occupied.
---	--

4. SD-card slot	You can install a supported media card into the SD-card slot.
-----------------	---

5. M.2 solid-state drive slots	One or two M.2 solid-state drives are installed in selected models.
--------------------------------	---

6. 3.5-inch primary storage drive cage	You can install one of the following storage drives in this cage: <ul style="list-style-type: none">• 3.5-inch storage drive• 2.5-inch storage drive with a storage drive converter
--	--

7. 2.5-inch primary storage drive cage*	You can install a 2.5-inch storage drive in this cage when the 3.5-inch primary storage drive cage is occupied.
8. PCIe slots	You can install compatible PCIe cards and PCIe solid-state drives in the PCIe card slots.

* for selected models

Features and specifications

Dimensions	<ul style="list-style-type: none">• Width: 170 mm (6.7 inches)• Height: 376 mm (14.8 inches)• Depth: 315.4 mm (12.4 inches)
Weight (without the packaging)	Maximum configuration as shipped: 9.4 kg (20.7 lb)
Hardware configuration	<ol style="list-style-type: none">1. Open the system menu from the top-right corner and click Settings.2. Click About.
Power supply	<ul style="list-style-type: none">• 300-watt automatic voltage-sensing power supply• 500-watt automatic voltage-sensing power supply
Electrical input	<ul style="list-style-type: none">• Input voltage: From 100 V ac to 240 V ac• Input frequency: 50/60 Hz
Microprocessor	To view the microprocessor information of your computer, enter Settings and click About .
Memory	Up to four double data rate 4 (DDR4) error correction code (ECC) unbuffered dual inline memory modules (UDIMMs) or DDR4 non-ECC UDIMMs
Storage device	<ul style="list-style-type: none">• 2.5-inch hard disk drive*• 2.5-inch solid-state drive*• 3.5-inch hard disk drive*• M.2 solid-state drive* <p>To view the storage drive capacity of your computer, use the Disks application.</p> <p>Note: The storage drive capacity indicated by the system is less than the nominal capacity.</p>
Video features	<ul style="list-style-type: none">• The integrated graphics card supports DisplayPort out connectors. Depending on the model, the integrated graphics card may also support an HDMI out connector or a USB-C connector.• The optional discrete graphics card provides an enhanced video experience and extended capabilities.
Audio features	<p>The integrated audio card supports the following:</p> <ul style="list-style-type: none">• Audio line-out connector• Headset connector• Internal speaker• Microphone connector

Expansion	<ul style="list-style-type: none"> • Memory slots • M.2 solid-state drive slots • Slim-optical-drive cage* • PCI-Express card slot (physical link width x16; negotiable link width x4, x1) • PCI-Express x1 card slot • PCI-Express x16 graphics card slot • SD-card slot (supporting SD card reader*) • Storage drive cages*
Network features	<ul style="list-style-type: none"> • Bluetooth* • Ethernet LAN • Wireless LAN*

* for selected models

Statement on USB transfer rate

Depending on many factors such as the processing capability of the host and peripheral devices, file attributes, and other factors related to system configuration and operating environments, the actual transfer rate using the various USB connectors on this device will vary and will be slower than the data rate listed below for each corresponding device.

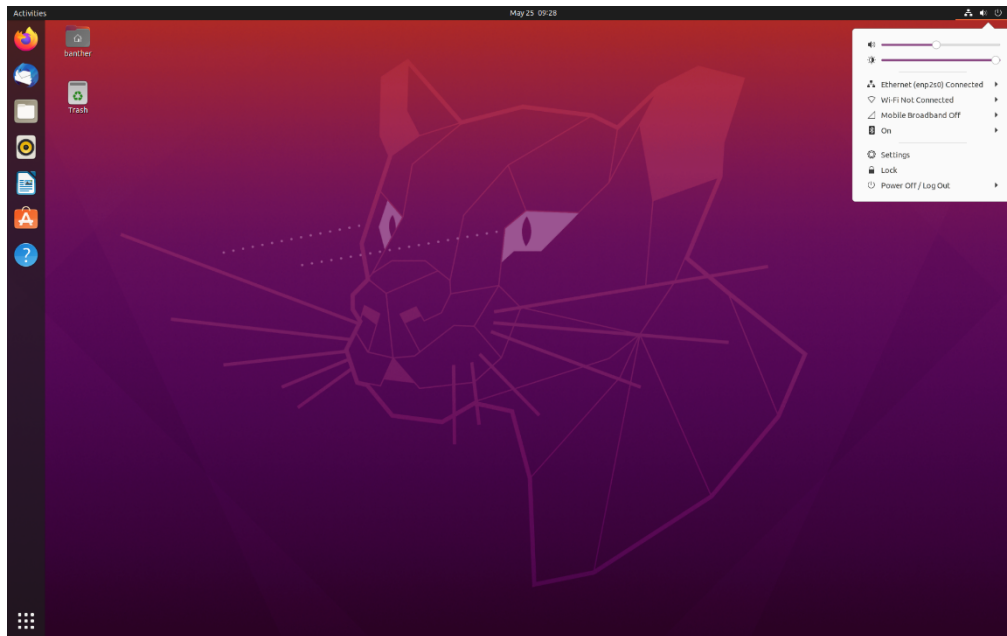
USB device	Data rate (Gbit/s)
3.2 Gen 1 / 3.1 Gen 1	5
3.2 Gen 2 / 3.1 Gen 2	10
3.2 Gen 2 × 2	20

Chapter 2. Get started with your computer

Get started with Ubuntu Desktop

Learn the basics of Ubuntu and start working with it right away. For more information about Ubuntu, see the Ubuntu documentation site at: <https://help.ubuntu.com/its/ubuntu-help/index.html>.

The Gnome desktop is installed by default and is designed to be simple and easy to use. Details on using Gnome are available by launching the Help application or online at <https://help.gnome.org/users/>.



Launch an app

- Press the Super key (with the Windows logo) or open the Activities menu on the top left and type in the name of the application you want to launch.
- Click the **Show Applications** button on the lower left, and select the application you want to launch.

Launch settings

Open the system menu from the top-right corner and click **Settings**.

Connect to networks

Your computer helps you connect to the world through a wired or wireless network.

Connect to the wired Ethernet

Connect your computer to a local network through the Ethernet connector on your computer with an Ethernet cable.

Connect to Wi-Fi networks (for selected models)

If your computer includes a wireless LAN module, you can connect your computer to Wi-Fi® networks. The wireless LAN module on your computer may support different standards. For some countries or regions, use of 802.11ax may be disabled according to local regulations.

1. Open the system menu from the top-right corner and expand the Wi-Fi section of the menu.
2. Click **Select Network**. A list of available wireless networks is displayed.
3. Select a network available for connection. Provide required information, if needed.

Use multimedia

Use your computer for business or entertainment with the devices (such as a camera, a monitor, or speakers).

Use audio

To enhance the audio experience, connect speakers, headphones, or a headset to the audio connector.

Change the sound settings

1. Open the system menu from the top-right corner and click **Settings**.
2. Click **Sound**.
3. Change the settings as you prefer.

Connect to an external display

Connect to a wired display

Connect your computer to a projector or a monitor to give presentations or expand your workspace.

Display mode

Go to **Settings → Devices → Displays**. Then, select a display mode of your preference.

- **Join Displays:** Extend the video output from your primary display to the secondary display. You can drag and move items between two displays.
- **Mirror:** Display the same video output on both the primary display and the secondary display.
- **Single Display:** Display the video output on only one display attached.

Display arrangement

Go to **Settings → Devices → Displays**. Then, click **Primary Display** and select one of the displays as the primary display.

Change display settings

Go to **Settings → Devices → Displays**. Then, you can change the settings for both the primary display and other displays. You can change the resolution, orientation and refresh rate.

Chapter 3. Explore your computer

Manage power

Use the information in this section to achieve the best balance between performance and power efficiency.

Set power button behaviors

You can define what the power button does according to your preference. For example, by pressing the power button, you can turn off the computer or put the computer to sleep or hibernation mode.

To change what the power button does:

1. Open the system menu from the top-right corner and click **Settings**.
2. Click **Power**.
3. In the **Suspend & Power Button** section choose the power button action as you prefer.

Set the power plan

For ENERGY STAR® compliant computers, the following power plan takes effect when your computers have been idle for a specified duration:

Table 1. Default power plan (when plugged into ac power)

<ul style="list-style-type: none">• Turn off the display: After 5 minutes• Put the computer to sleep: After 20 minutes

To awaken the computer from Sleep mode, press any key on your keyboard.

To reset the power plan to achieve the best balance between performance and power saving:

1. Open the system menu from the top-right corner and click **Settings**.
2. Click **Power**.
3. Choose or customize a power plan of your preference.

Transfer data

Quickly share your files using the built-in Bluetooth technology among devices with the same features. You also can install a disc or media card to transfer data.

Connect to a Bluetooth-enabled device (for selected models)

You can connect all types of Bluetooth-enabled devices to your computer, such as a keyboard, a mouse, a smartphone, or speakers. To ensure that the connection is successful, place the devices 10 meters (33 feet), at most, from the computer.

1. Turn on Bluetooth on the computer.
 - a. Open the system menu from the top-right corner and then click **Settings → Bluetooth**.
 - b. In the Bluetooth section enable Bluetooth with the toggle button at the top.
2. Any discoverable devices will be shown in the **Devices** list.

3. Select a Bluetooth device, and then follow the on-screen instructions.

Your Bluetooth device and computer will automatically connect the next time if the two devices are in range of each other with Bluetooth turned on. You can use Bluetooth for data transfer or remote control and communication.

Use the optical drive (for selected models)

If your computer has an optical drive, read the following information.

Install or remove a disc

1. With the computer on, press the eject button on the optical drive. The tray slides out of the drive.
2. Insert a disc into the tray or remove a disc from the tray, and then push the tray back into the drive.

Note: If the tray does not slide out of the drive when you press the eject button, turn off the computer. Then, insert a straightened paper clip into the emergency-eject hole adjacent to the eject button. Use the emergency eject only in an emergency.

Record a disc

1. Insert a recordable disc into the optical drive that supports recording.
2. In the **Blank CD/DVD-R Disc** notification that pops up at the bottom of the screen, select **Open with CD/DVD Creator**.
3. Follow the on-screen instructions.

Use a media card (for selected models)

If your computer has a SD-card slot, read the following information.

Install a media card

1. Locate the SD-card slot.
2. Ensure that the metal contacts on the card are facing the ones in the SD-card slot. Insert the card firmly into the SD-card slot until it is secured in place.

Remove a media card

Attention: Before removing a media card, unmount the card from the operating system first. Otherwise, data on the card might get corrupted or lost.

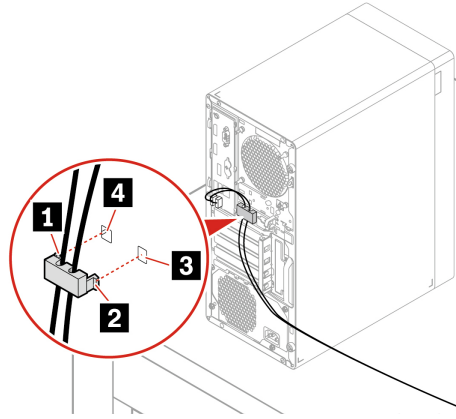
1. Launch the **Files** application.
2. Select the unmount icon next to the card and unmount the card from the operating system.
3. Press the card and remove it from your computer. Store the card safely for future use.

Use a smart cable clip (for selected models)

Note: You can purchase a smart cable clip from Lenovo.

Lock devices (such as the keyboard and the mouse) to your computer through a smart cable clip.

1. Insert the clip **1** into the cable-lock slot **4**.
2. Pull the cables you want to lock through the dents in the smart cable clip.
3. Press the clip **2** into the cable-lock slot **3** until it snaps into position.



Purchase accessories

Lenovo has a number of hardware accessories and upgrades to help expand the capabilities of your computer. Options include memory modules, storage devices, network cards, power adapters, keyboards, mice, and more.

To shop at Lenovo, go to <https://www.lenovo.com/accessories>.

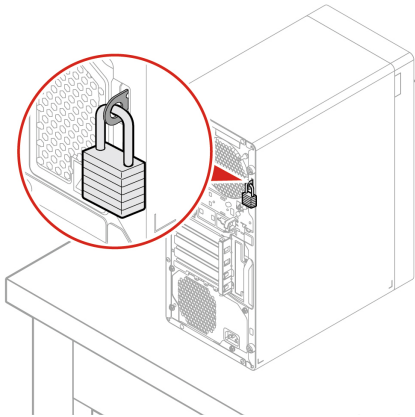
Chapter 4. Secure your computer and information

Lock the computer

Note: You are responsible for evaluating, selecting, and implementing the locking device and security feature. Lenovo makes no comments, judgments, or warranties about the function, quality, or performance of the locking device and security feature. You can purchase computer locks from Lenovo.

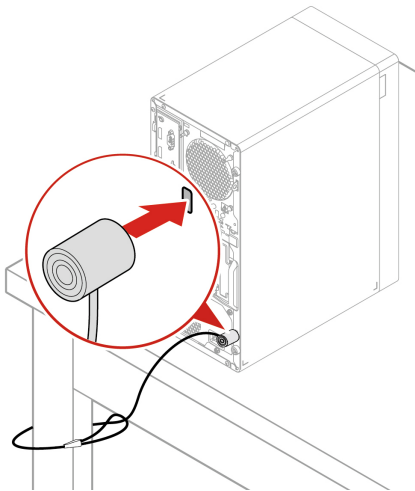
Padlock

Locking the computer cover through a padlock prevents unauthorized access to the inside of your computer.



Kensington-style cable lock

Lock your computer to a desk, table, or other fixtures through a Kensington-style cable lock.



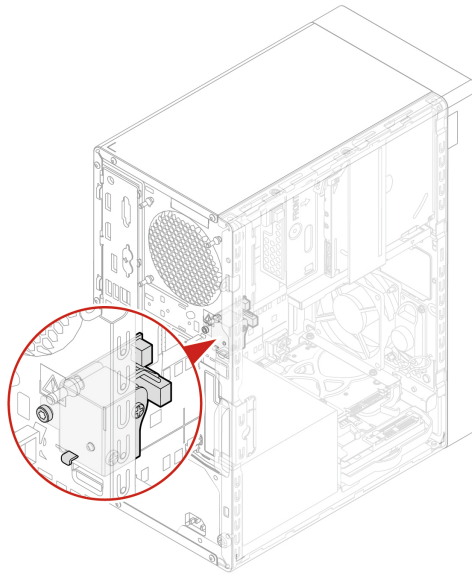
E-lock

Your computer might have a security lock solution installed to protect the computer from unauthorized tampering of the internal components. Using the E-Lock, you can mechanically lock or unlock the computer cover.

To enable or disable the E-Lock:

1. Restart the computer. When the logo screen is displayed, press F1 or Fn+F1.
2. Select **Security** → **Electronic Lock** to enable or disable the E-lock.
3. Press F10 or Fn+F10 to save the changes and exit.

Note: Changes do not take effect until the setting is saved and the system is rebooted.



Use passwords

Password types

You can set the following passwords in UEFI (Unified Extensible Firmware Interface) BIOS (Basic Input/Output System) to prevent unauthorized access to your computer. However, you are not prompted to enter any UEFI BIOS password when your computer resumes from sleep mode.

- Power-on password

When a power-on password is set, you are prompted to enter a valid password each time the computer is turned on. The computer cannot be used until the valid password is entered.

- Supervisor password

Setting a supervisor password deters unauthorized users from changing configuration settings. If you are responsible for maintaining the configuration settings of several computers, you might want to set a supervisor password.

When a supervisor password is set, you are prompted to enter a valid password each time you try to enter the BIOS menu.

If both the power-on password and supervisor password are set, you can enter either password. However, you must use your supervisor password to change any configuration settings.

- Hard disk password

Setting a hard disk password prevents unauthorized access to the data on the storage drive. When a hard disk password is set, you are prompted to enter a valid password each time you try to access the storage drive.

Note: After you set a hard disk password, your data on the storage drive is protected even if the storage drive is removed from one computer and installed in another.

- System management password (for selected models)

You can enable the system management password to have the same authority as the supervisor password to control security related features. To customize the authority of the system management password through the UEFI BIOS menu:

1. Restart the computer. When the logo screen is displayed, press F1 or Fn+F1.
2. Select **Security** → **System Management Password Access Control**.
3. Follow the on-screen instructions.

If you have set both the supervisor password and the system management password, the supervisor password overrides the system management password.

Set, change, and remove a password

Before you start, print these instructions.

1. Restart the computer. When the logo screen is displayed, press F1 or Fn+F1.
2. Select **Security**.
3. Depending on the password type, select **Set Supervisor Password**, **Set Power-On Password**, **Set System Management Password**, or **Hard Disk Password** and press Enter.
4. Follow the on-screen instructions to set, change, or remove a password.
5. Press F10 or Fn+F10 to save the changes and exit.

You should record your passwords and store them in a safe place. If you forget the passwords, see “Clear CMOS” on page 26 to remove them by yourself. You can also contact a Lenovo-authorized service provider to have the passwords removed.

Notes:

- If the supervisor password is forgotten, it might not be removed by clearing CMOS depending on your BIOS settings.
- If the hard disk password is forgotten, Lenovo cannot remove the password or recover data from the storage drive.

Use Computrace Agent software embedded in firmware (for selected models)

The Computrace Agent software is an IT asset management and computer theft recovery solution. The software detects if changes have been made on the computer, such as hardware, software, or the computer call-in location. You might have to purchase a subscription to activate the Computrace Agent software.

Use BIOS security solutions

This section provides BIOS solutions to secure your computer and information.

Erase all storage drive data

It is recommended that you erase all storage drive data before recycling a storage drive or the computer.

To erase all storage drive data:

1. Set a hard disk password for the storage drive you will recycle. See “Use passwords” on page 16.
2. Restart the computer. When the logo screen is displayed, press F1 or Fn+F1.
3. Select **Security → Hard Disk Password → Security Erase HDD Data** and press Enter.
4. Select the storage drive you will recycle and press Enter.
5. A message is displayed, prompting you to confirm the operation. Select **Yes** and press Enter. The erasing process begins.

Note: During the erasing process, the power button and the keyboard are disabled.

6. After the erasing process is completed, a message is displayed, prompting you to reset the system. Select **Continue**.

Note: Depending on the storage drive capacity, the erasing process will take half an hour to three hours.

7. After the resetting process is completed, one of the following will happen:
 - If the data on the system storage drive is erased, you will be prompted that no operating system is available.
 - If the data on the non-system storage drive is erased, the computer restarts automatically.

Use the cover presence switch

The cover presence switch prevents the computer from logging in to the operating system when the computer cover is not properly installed or closed.

To enable the cover presence switch connector on the system board:

1. Restart the computer. When the logo screen is displayed, press F1 or Fn+F1.
2. Select **Security → Cover Tamper Detected** and press Enter.
3. Select **Enabled** and press Enter.
4. Press F10 or Fn+F10 to save the changes and exit.

When the cover presence switch connector on the system board is enabled, if the cover presence switch detects that the computer cover is not correctly installed or closed, an error message will be displayed when you turn on the computer. To bypass the error message and log in to the operating system:

1. Properly install or close the computer cover.
2. Enter the BIOS menu, save and then exit.

Use Intel BIOS guard

The BIOS guard module cryptographically verifies all the BIOS updates to the system BIOS flash. Therefore, the malware is blocked from attacking the BIOS.

Use Smart USB Protection

The Smart USB Protection function is a security function that helps prevent data from being copied from the computer to USB storage devices connected to the computer. You can set the Smart USB Protection function to one of the following modes:

- **Disabled** (default setting): You can use the USB storage devices without limitation.

- **Read Only:** You cannot copy data from the computer to the USB storage devices. However, you can access or modify data on the USB storage devices.
- **No Access:** You cannot access the USB storage devices from the computer.

To configure the Smart USB Protection function:

1. Restart the computer. When the logo screen is displayed, press F1 or Fn+F1.
2. Select **Security → Smart USB Protection** and press Enter.
3. Select the desired setting and press Enter.
4. Press F10 or Fn+F10 to save the changes and exit.

Chapter 5. UEFI BIOS

This chapter provides information about configuring and updating UEFI BIOS, and clearing CMOS.

What is UEFI BIOS

Note: The operating system settings might override any similar settings in UEFI BIOS.

UEFI BIOS is the first program that the computer runs when the computer is turned on. UEFI BIOS initializes the hardware components and loads the operating system and other programs. Your computer comes with a setup program with which you can change UEFI BIOS settings.

Enter the BIOS menu

Restart the computer. When the logo screen is displayed, press F1 or Fn+F1 to enter the BIOS menu.

Note: If you have set BIOS passwords, enter the correct passwords when prompted. You also can select **No** or press Esc to skip the password prompt and enter the BIOS menu. However, you cannot change the system configurations that are protected by passwords.

Navigate in the BIOS interface

Attention: The default configurations are already optimized for you in **boldface**. Improper change of the configurations might cause unexpected results.

Depending on your keyboard, you can navigate in the BIOS interface by pressing the following keys, or combinations of Fn and the following keys:

F1 or Fn+F1	Display the General Help screen.
Esc or Fn+Esc	Exit the submenu and return to the parent menu.
↑ ↓ or Fn+↑ ↓	Locate an item.
← → or Fn+← →	Select a tab.
+/- or Fn+ +/-	Change to a higher or lower value.
Enter	Enter the selected tab or submenu.
F9 or Fn+F9	Restore to the default settings.
F10 or Fn+F10	Save your configuration and exit.

Change the display language of UEFI BIOS

UEFI BIOS supports three or four display languages: English, French, simplified Chinese, and Russian (for selected models).

To change the display language of UEFI BIOS:

1. Select **Main** → **Language** and press Enter.
2. Set the display language as desired.

Change the display mode of UEFI BIOS

You can use UEFI BIOS in the graphic mode or the text mode according to your needs.

To change the display mode of UEFI BIOS:

1. Restart the computer. When the logo screen is displayed, press F1 or Fn+F1.
2. Select **Main** → **Setup Mode Select** and press Enter.
3. Set the display mode as desired.

Set the system date and time

1. Restart the computer. When the logo screen is displayed, press F1 or Fn+F1.
2. Select **Main** → **System Time & Date** and press Enter.
3. Set the system date and time as desired.
4. Press F10 or Fn+F10 to save the changes and exit.

Change the startup sequence

If the computer does not start up from a device as expected, you can change the startup device sequence permanently or select a temporary startup device.

Change the startup device sequence permanently

1. Depending on the type of the storage device, do one of the following:
 - If the storage device is internal, go to step 2.
 - If the storage device is a disc, ensure that the computer is on or turn on the computer. Then, insert the disc into the optical drive.
 - If the storage device is an external device other than a disc, connect the storage device to the computer.
2. Restart the computer. When the logo screen is displayed, press F1 or Fn+F1.
3. Select **Startup**, and then follow the on-screen instructions to change the startup sequence.
4. Press F10 or Fn+F10 to save the changes and exit.

Select a temporary startup device

Note: Not all discs and storage drives are bootable.

1. Depending on the type of the storage device, do one of the following:
 - If the storage device is internal, go to step 2.
 - If the storage device is a disc, ensure that the computer is on or turn on the computer. Then, insert the disc into the optical drive.
 - If the storage device is an external device other than a disc, connect the storage device to the computer.
2. Restart the computer. When the logo screen is displayed, press F12 or Fn+F12.
3. Select the storage device as desired and press Enter.

If you want to change the startup device sequence permanently, select **Enter Setup** on Startup Device Menu and press Enter to enter the BIOS menu.

Enable or disable the configuration change detection feature

If you enable configuration change detection, when the POST detects configuration changes of some hardware devices (such as storage drives or memory modules), an error message will be displayed when you turn on the computer.

To enable or disable the configuration change detection feature:

1. Restart the computer. When the logo screen is displayed, press F1 or Fn+F1.
2. Select **Security** → **Configuration Change Detection** and press Enter.
3. Enable or disable the feature as desired.
4. Press F10 or Fn+F10 to save the changes and exit.

To bypass the error message and log in to the operating system, press F2 or Fn+F2. To clear the error message, enter the BIOS menu, save and then exit.

Enable or disable the automatic power-on feature

The Automatic Power On item in UEFI BIOS provides various options for you to make your computer start up automatically.

To enable or disable the automatic power-on feature:

1. Restart the computer. When the logo screen is displayed, press F1 or Fn+F1.
2. Select **Power** → **Automatic Power On** and press Enter.
3. Select the feature as desired and press Enter.
4. Enable or disable the feature as desired.
5. Press F10 or Fn+F10 to save the changes and exit.

Enable or disable the smart power-on feature

Ensure that the keyboard is connected to a USB connector supporting the smart power-on feature. With the smart power-on feature enabled, you can start up or wake up the computer from the hibernation mode by pressing Alt+P.

To enable or disable the smart power-on feature:

1. Restart the computer. When the logo screen is displayed, press F1 or Fn+F1.
2. Select **Power** → **Smart Power On** and press Enter.
3. Enable or disable the feature as desired.
4. Press F10 or Fn+F10 to save the changes and exit.

Enable or disable the ErP LPS compliance mode

Lenovo computers meet the eco-design requirements of the ErP Lot 3 regulation. For more information, go to:

<https://www.lenovo.com/us/en/compliance/eco-declaration>

You can enable the ErP LPS compliance mode to reduce the consumption of electricity when the computer is off or in sleep mode.

To enable or disable the ErP LPS compliance mode:

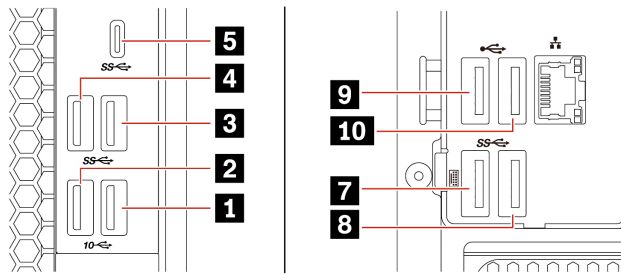
1. Restart the computer. When the logo screen is displayed, press F1 or Fn+F1.
2. Select **Power** → **Enhanced Power Saving Mode** and press Enter.
3. Depending on whether you select **Enabled** or **Disabled**, do one of the following:
 - If you select **Enabled**, press Enter. Then, select **Power** → **Automatic Power On** and press Enter. Check whether the Wake on LAN feature is disabled automatically. If no, disable it.
 - If you select **Disabled**, press Enter. Then, go to the next step.
4. Press F10 or Fn+F10 to save the changes and exit.

When the ErP LPS compliance mode is enabled, you can wake up the computer by doing one of the following:

- Press the power button.
- Enable the Wake Up on Alarm feature to make the computer wake up at a set time.

Enable or disable front and rear USB ports

If you need to enable or disable any front or rear USB port in UEFI BIOS, refer to below table to locate the corresponding USB port on your computer.



USB port on computer	USB port in UEFI BIOS
1	USB Port 1
2	USB Port 2
3	USB Port 3
4	USB Port 4
5	USB Port 5
7	USB Port 7
8	USB Port 8
9	USB Port 9
10	USB Port 10

Change the ITS performance mode

You can adjust the acoustic and thermal performance of your computer by changing the ITS performance mode. Three choices are available:

- **Best Performance** (default setting): The computer works at the best system performance with normal acoustic level.
- **Best Experience**: The computer works at the best experience with balanced noise and better performance.

- **Full Speed:** All fans in the computer will run at full speed.

To change the ITS performance mode:

1. Restart the computer. When the logo screen is displayed, press F1 or Fn+F1.
2. Select **Power** → **Intelligent Cooling** and press Enter.
3. Select **Performance Mode** and press Enter.
4. Set the performance mode as desired.
5. Press F10 or Fn+F10 to save the changes and exit.

Change BIOS settings before installing a new operating system

BIOS settings vary by operating system. Change the BIOS settings before installing a new operating system.

To change the BIOS settings:

1. Restart the computer. When the logo screen is displayed, press F1 or Fn+F1.
2. From the main interface, select **Security** → **Secure Boot** and press Enter.
3. Depending on the operating system to be installed, do one of the following:
 - To install the Windows 10 (64-bit) and many Linux operating systems, select **Enabled** for **Secure Boot**.
 - To install an operating system that does not support secure boot, select **Disabled** for **Secure Boot**.
4. Press F10 or Fn+F10 to save the changes and exit.

Update UEFI BIOS

When you install a new program, device driver, or hardware component, you might need to update UEFI BIOS. You can update the BIOS from your operating system or a flash update disc (supported only on selected models).

Download and install the latest UEFI BIOS update package by one of the following methods:

- Using the built-in software update service:

Ubuntu software update will check the LVFS site for any firmware updates and notify you when updates are available.
- From the Lenovo Support Web site:
 1. Go to <https://pcsupport.lenovo.com>.
 2. Download the flash BIOS update driver for the operating system version or the ISO image version (used to create a flash update disc). Then, download the installation instructions for the flash BIOS update driver you have downloaded.
 3. Print the installation instructions and follow the instructions to update the BIOS.

Recover from a BIOS update failure

1. Remove all media from the drives and turn off all connected devices.
2. Insert the BIOS update disc into the optical drive, and then turn off the computer.
3. Disconnect all power cords from electrical outlets. Then, remove any parts that impede access to the Clear CMOS /Recovery jumper.
4. Move the jumper from the standard position to the maintenance position.
5. Reconnect the power cords for the computer and the monitor to electrical outlets.

6. Turn on the computer and the monitor. When the computer beeps, the recovery process begins.
7. After the recovery process is completed, the computer will be turned off automatically.

Note: Depending on the computer model, the recovery process will take two to three minutes.

8. Disconnect all power cords from electrical outlets.
9. Move the jumper back to the standard position.
10. Reinstall all the parts that have been removed. Then, reconnect the power cords for the computer and the monitor to electrical outlets.
11. Turn on the computer and the monitor. When the logo screen is displayed, press F1 or Fn+F1.
12. To prevent data loss, ensure that BIOS settings are restored to an earlier point. For BIOS configurations, see Chapter 5 “UEFI BIOS” on page 21.

Clear CMOS

1. Remove all media from the drives and turn off all connected devices and the computer.
2. Disconnect all power cords from electrical outlets. Then, remove any parts that impede access to the Clear CMOS /Recovery jumper.
3. Move the jumper from the standard position to the maintenance position.
4. Reconnect the power cords for the computer and the monitor to electrical outlets.
5. Turn on the computer and the monitor. When the computer beeps, wait for approximately 10 seconds.
6. Turn off the computer by holding the power button for approximately four seconds.
7. Disconnect all power cords from electrical outlets.
8. Move the jumper back to the standard position.
9. Reinstall all the parts that have been removed. Then, reconnect the power cords for the computer and the monitor to electrical outlets.
10. Turn on the computer and the monitor. When the logo screen is displayed, press F1 or Fn+F1.
11. To prevent data loss, ensure that BIOS settings are restored to an earlier point. For BIOS configurations, see Chapter 5 “UEFI BIOS” on page 21.

Chapter 6. RAID

What is RAID

Redundant Array of Independent Disks (RAID) is a technology that provides increased storage functions and reliability through redundancy. It also can improve data storage reliability and fault tolerance compared with single-drive storage systems. Data loss resulting from a drive failure can be prevented by reconstructing missing data from the remaining drives.

When a group of independent physical storage drives is set up to use RAID technology, they are in a RAID array. This array distributes data across multiple storage drives, but the array appears to the host computer as one single storage unit. Creating and using RAID arrays provides high performance, such as the expedited I/O performance, because several drives can be accessed simultaneously.

RAID Level

Your computer must have the minimum number of SATA storage drives installed for the supported level of RAID below:

- RAID 0: striped disk array
 - Consists of at least two SATA storage drives
 - Supported strip size: 4 KB, 8 KB, 16 KB, 32 KB, 64 KB, or 128 KB
 - Better performance without fault tolerance
- RAID 1: mirrored disk array
 - Consists of two SATA storage drives
 - Improved reading performance and 100% redundancy
- RAID 5: block-level striped disk array with distributed parity
 - Consists of at least three SATA storage drives
 - Supported strip size: 16 KB, 32 KB, 64 KB, or 128 KB
 - Better performance and fault tolerance
- RAID 10: striped and mirrored disk array
 - Consists of at least four SATA storage drives
 - Supported strip size: 4 KB, 8 KB, 16 KB, 32 KB, or 64 KB
 - Better performance without fault tolerance
 - Improved reading performance and 100% redundancy

Configure the system BIOS to enable SATA RAID functionality

To enable SATA RAID functionality:

1. Restart the computer. When the logo screen is displayed, press F1 or Fn+F1.
2. Select **Devices → ATA Drive Setup** and press Enter.
3. Select **Configure SATA as** and press Enter.
4. Select **RAID** and press Enter.
5. Press F10 or Fn+F10 to save the changes and exit.

Chapter 7. Troubleshooting, diagnostics, and recovery

This chapter provides solutions to resolve computer problems. Use the basic procedure as a starting point for resolving computer problems.

Basic procedure for resolving computer problems

Prerequisite

Before you start, read Appendix B “Important safety information” on page 101 and print the following instructions.

1. Check that:
 - a. The cables for all connected devices are connected correctly and securely.
 - b. All components have been reassembled correctly.
 - c. All connected devices that require ac power are connected to properly grounded and working electrical outlets.
 - d. All connected devices are enabled in UEFI BIOS.
2. Use an antivirus program (if any) to see if the computer has been infected by a virus. If the program detects a virus, remove the virus.
3. See Chapter 7 “Troubleshooting, diagnostics, and recovery” on page 29 to resolve the problem you are experiencing, run the diagnostic program, and recover your operating system.
4. If the problem persists, contact Lenovo. See Chapter 9 “Help and support” on page 95.

Troubleshooting

Use the troubleshooting information to find solutions to problems that have definite symptoms.

Startup problems

Problem	Solution
The computer does not start up when you press the power button.	<ul style="list-style-type: none">• Ensure that the power cord is correctly connected to the rear of the computer and to a working electrical outlet.• If the computer has a secondary power switch on the rear of the computer, ensure that it is switched on.• The power indicator on the front of the computer is on.• The computer voltage matches the voltage available at the electrical outlet for your country or region.
The operating system does not start up from the correct storage drive or fails to start up	<ul style="list-style-type: none">• Ensure that all storage drive signal cables and power cables are connected correctly.• Ensure that the storage drive the computer starts up from is listed as the first startup device in UEFI BIOS.• In rare cases, the storage drive with the operating system might get corrupted or damaged. In such cases, you might need to replace the storage drive.• Optane memory is not currently supported with Linux.
The computer beeps multiple times before the operating system starts up.	Ensure that no keys are stuck.

Audio problems

Problem	Solution
The sound comes from one of the external speakers.	<ul style="list-style-type: none">• Ensure that the speaker cable is inserted completely into the connector on the computer.• Ensure that the cable that connects the left speaker to the right speaker is securely connected.• Ensure that the balance settings are set correctly.

Network problems

Note: The Wi-Fi® and Bluetooth features are optional.

Problem	Solution
The computer cannot connect to an Ethernet LAN.	<ul style="list-style-type: none"> • Connect the cable from the Ethernet connector to the RJ45 connector of the hub. • Enable the Ethernet LAN feature in UEFI BIOS. • Enable the Ethernet LAN adapter. <ol style="list-style-type: none"> 1. Go to Settings and select Network. 2. Ensure the Ethernet option is enabled. • Update or reinstall the Ethernet LAN driver. • Install all networking software that is necessary for your network environment. Check with your LAN administrator for the necessary networking software. • Set the same duplex for the switch port and the adapter. If you configured the adapter for full duplex, ensure that the switch port is also configured for full duplex. Setting a wrong duplex mode might degrade performance, cause data loss, or result in lost connections.
When a Gigabit Ethernet model computer is used at a speed of 1000 Mbps, the Ethernet LAN connection fails or errors occur.	Connect the network cable to the Ethernet connector using Category 5 wiring and a 100 BASE-T hub/switch (not 100 BASE-X).
The Wake On LAN (WOL) feature does not work.	Enable the Wake On LAN feature in UEFI BIOS.
The Wi-Fi feature does not work.	<ul style="list-style-type: none"> • Enable the Wi-Fi feature in UEFI BIOS. • Enable all Wi-Fi devices. <ol style="list-style-type: none"> 1. Launch Settings and choose Wi-Fi. 2. Make sure that Wi-Fi is enabled by the toggle at the top. 3. Select the settings cog next to each Wi-Fi device, and make sure that it is configured and enabled. • Update or reinstall the Wi-Fi driver.
The Bluetooth feature does not work.	<ul style="list-style-type: none"> • Enable the Bluetooth feature in UEFI BIOS. • Enable all Bluetooth devices. <ol style="list-style-type: none"> 1. Launch Settings and choose Bluetooth. 2. Make sure that Bluetooth is enabled by the toggle button at the top. 3. Click on each device to enable and start pairing. • Update or reinstall the Bluetooth driver.
Sound does not come from the Bluetooth headset or headphones.	Select the Bluetooth headset or headphones as the default audio output device in sound settings.

Performance problems

Problem	Solution
The free storage drive space is insufficient.	<ul style="list-style-type: none">• Clean out your Inbox, Sent Items, and Deleted Items folders from your e-mail application.• Clean up your C drive.<ol style="list-style-type: none">1. Launch the Disk Usage Analyzer application.2. Select the drive to analyze.3. Use the results to track down where your space is being used and clean up appropriately.
The free memory space is insufficient.	<ul style="list-style-type: none">• Launch the System Monitor application.• Use the Memory column to determine which processes are using memory and can be ended.

Storage drive problems

Problem	Solution
Some or all storage drives are missing from the BIOS menu.	<ul style="list-style-type: none">• Ensure that the signal cables and power cables for all the storage drives are connected correctly.• Ensure that the computer is configured correctly to support the storage drives.<ul style="list-style-type: none">– If the computer is installed with SATA storage drives, ensure that the SATA storage drive enablement module (one to five storage drives) is installed.– If the computer is installed with SAS storage drives, ensure that the SAS storage drive enablement module (one to five storage drives) or the LSI MegaRAID SAS adapter is installed.

CD or DVD problems

Problem	Solution
A CD or DVD does not work.	<ul style="list-style-type: none">• Ensure that the optical drive supports the CD or DVD.• Ensure that the disc is inserted correctly, with its label up.• Ensure that the disc you are using is clean. To remove dust or fingerprints, wipe the disc clean with a soft cloth from the center to the outside. Wiping a disc in a circular motion might cause loss of data.• Ensure that the power cable and signal cable are securely connected to the drive.• Ensure that the disc you are using is not scratched or damaged. Try inserting another disc that you know works.• If you have multiple CD or DVD drives installed (or a combination of CD and DVD drives), try inserting the disc into the other drive. In some cases, only one of the drives is connected to the audio subsystem.
A bootable recovery medium, such as the Product Recovery CD, cannot be used to start your computer.	<p>Ensure that the CD or DVD drive is set as the top priority of the boot priority order in UEFI BIOS.</p> <p>Note: On some computer models, the startup sequence is permanently set and cannot be changed.</p>
A black screen is displayed instead of the DVD video.	<ul style="list-style-type: none">• Restart the DVD player program.• Try a lower screen resolution or color depth.• Close any open files, and then restart the computer.
A DVD movie does not play.	<ul style="list-style-type: none">• Ensure that the disc surface is clean and not scratched.• Check the disc or packaging for regional coding. You might need to purchase a disc with coding for the region where you are using the computer.
No audio or only an intermittent audio comes out while a DVD movie is playing.	<ul style="list-style-type: none">• Check the volume control settings on the computer and on your speakers.• Ensure that the disc surface is clean and not scratched.• Check all cable connections to and from the speakers.• Use the DVD menu for the video to select a different audio track.
The playback is slow or choppy.	<ul style="list-style-type: none">• Disable any background programs that are using CPU or memory resources.• Ensure that video resolution is less than 1152 x 864 pixels.
A message indicating invalid disc or no disc found is displayed.	<ul style="list-style-type: none">• Ensure that the disc is in the drive with the shiny side of the disc facing down.• Ensure that video resolution is less than 1152 x 864 pixels.• Ensure that the DVD or CD is inserted into an appropriate optical drive. For example, do not insert a DVD into a CD-only drive.

Serial connector problems

Problem	Solution
The serial connector cannot be accessed.	<ul style="list-style-type: none">• Connect the serial cable from the serial connector on the computer to the serial device. If the serial device has its own power cord, connect the power cord to a grounded electrical outlet.• Turn on the serial device and keep the device online.• Install any programs supplied with the serial device. Refer to the documentation that comes with the serial device for more information.• If you added one serial-connector adapter, ensure that the adapter is installed correctly.

USB device problems

Problem	Solution
A USB device cannot be accessed.	<ul style="list-style-type: none">• Connect the USB cable from the USB connector to the USB device. If the USB device has its own power cord, connect the power cord to a grounded electrical outlet.• Turn on the USB device and keep the device online.• Install any device drivers or programs supplied with the USB device. Refer to the documentation that comes with the USB device for more information.• Disconnect and reconnect the USB connector to reset the USB device.• Ensure that the Smart USB Protection function is disabled in UEFI BIOS.

Software problems

Problem	Solution
Some programs do not work as expected.	<ol style="list-style-type: none">1. Check whether the problem is caused by a program.<ol style="list-style-type: none">a. Ensure that the software is compatible with the computer. Refer to the information supplied with the software for more information.b. Verify that other software works correctly on the computer.c. Verify that the software you are using works on another computer.2. If the problem is caused by a program:<ul style="list-style-type: none">• Refer to the printed documentation that comes with the program or the help system of the program.• Update the program.• Uninstall the program and then reinstall it. To download a program that is preinstalled on your computer, go to https://pcsupport.lenovo.com and follow the on-screen instructions.

Lenovo diagnostic tools

For information about Lenovo diagnostic tools, go to:

<https://pcsupport.lenovo.com/lenovodiagnosicsolutions>

Chapter 8. CRU replacement

What are CRUs

Customer Replaceable Units (CRUs) are parts that can be upgraded or replaced by the customer. Lenovo computers contain the following types of CRUs:

- **Self-service CRUs:** Refer to parts that can be installed or replaced easily by customer themselves or by trained service technicians at an additional cost.
- **Optional-service CRUs:** Refer to parts that can be installed or replaced by customers with a greater skill level. Trained service technicians can also provide service to install or replace the parts under the type of warranty designated for the customer's machine.

If you intend on installing the CRU, Lenovo will ship the CRU to you. CRU information and replacement instructions are shipped with your product and are available from Lenovo at any time upon request. You might be required to return the defective part that is replaced by the CRU. When return is required: (1) return instructions, a prepaid shipping label, and a container will be included with the replacement CRU; and (2) you might be charged for the replacement CRU if Lenovo does not receive the defective CRU within thirty (30) days of your receipt of the replacement CRU. For full details, see the Lenovo Limited Warranty documentation at:

https://www.lenovo.com/warranty/llw_02

Refer to the following CRU list for your computer.

Self-service CRUs

- Chassis beam*
- Computer cover
- Front bezel
- Keyboard*
- M.2 solid-state drive*
- M.2 solid-state drive bracket*
- M.2 solid-state drive heat sink*
- Memory module
- Mouse*
- Slim optical drive*
- Slim-optical-drive bracket*
- Slim-optical-drive cage*
- Power cord
- Primary storage drives*
- Primary storage drive brackets*
- Primary storage drive cages*
- Secondary storage drives*
- Secondary storage drive brackets*
- Secondary storage drive cages*
- Smart cable clip*

- Storage drive converters*

Optional-service CRUs

- Coin-cell battery
- E-lock*
- Front fan*
- Graphics card and plastic holder*
- Heat-sink-and-fan assembly
- PCI-Express card*
- Power supply assembly
- Rear fan*

* for selected models

Replace a CRU

Follow the replacement procedure to replace a CRU.

Computer cover

Prerequisite

Before you start, read Appendix B “Important safety information” on page 101 and print the following instructions.

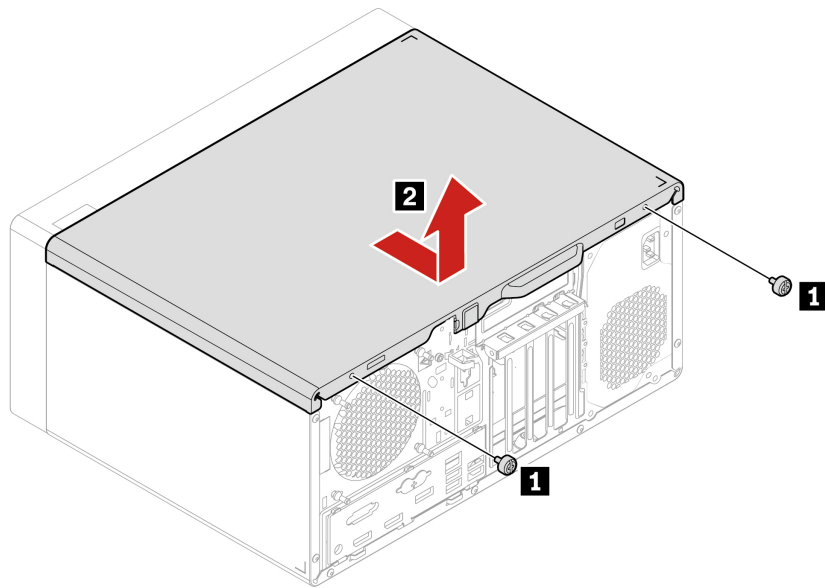


Before you open the computer cover, turn off the computer and wait several minutes until the computer is cool.

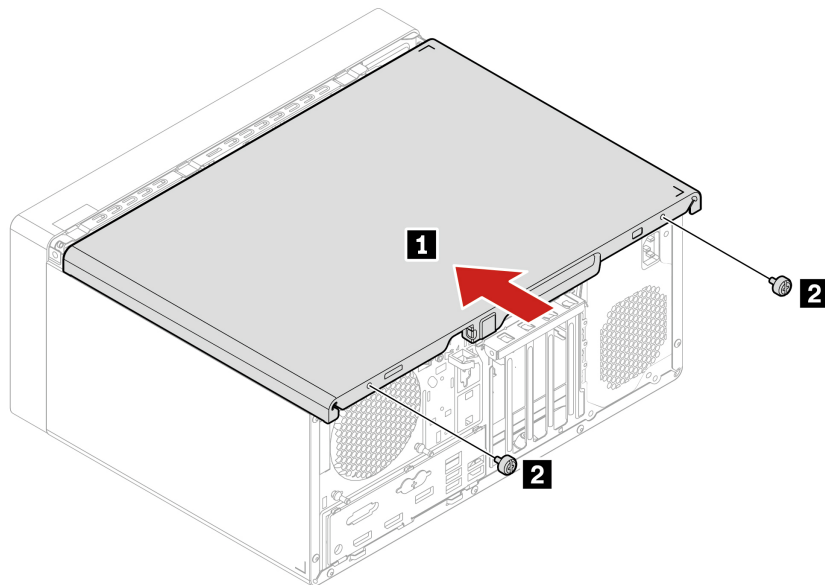
Replacement procedure

1. Remove any media from the drives and turn off all connected devices and the computer.
2. Disconnect all power cords from electrical outlets and disconnect all cables from the computer.
3. Unlock any locking device that secures the computer cover. See “Lock the computer” on page 15.
4. Lay down the computer with the computer cover facing up.

5. Remove the computer cover.



6. Install the computer cover.



7. Place the computer in an upright position.

8. Reinstall all the removed parts. Then, reconnect the power cord and all disconnected cables to the computer.

Note: If a locking device is available, use it to lock the computer.

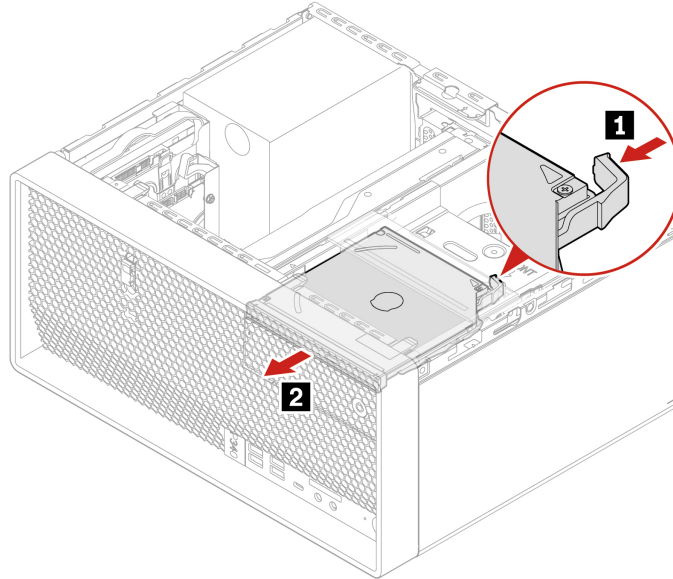
Slim optical drive

Prerequisite

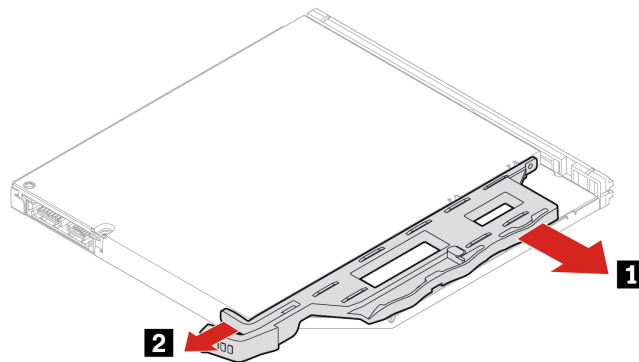
Before you start, read Appendix B “Important safety information” on page 101 and print the following instructions.

Replacement procedure

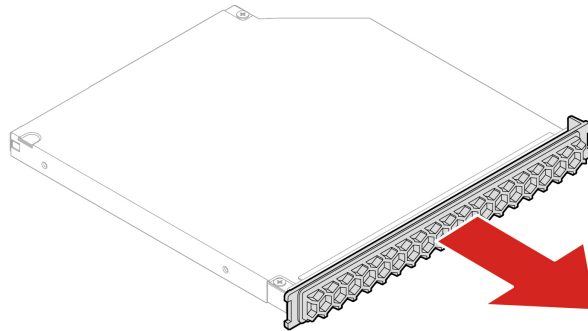
1. Remove the computer cover. See “Computer cover” on page 38.
2. Disconnect the signal and power cable from the slim optical drive.
3. Remove the slim optical drive.



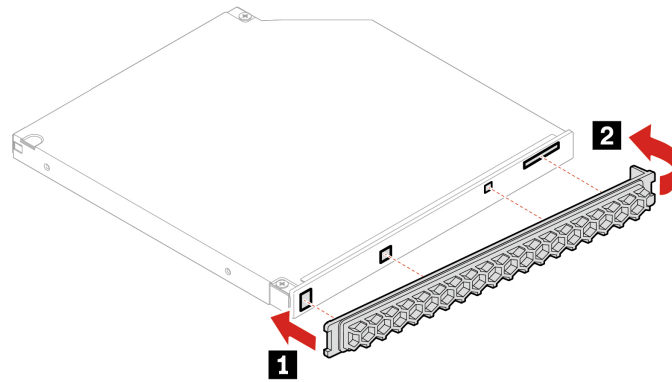
4. Remove the slim-optical-drive bracket.



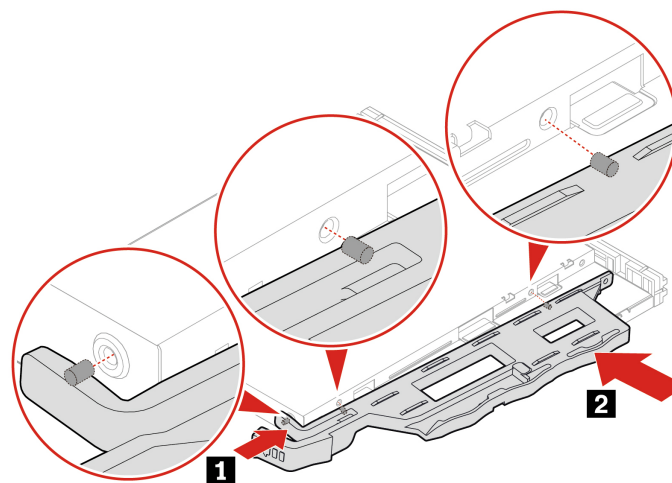
5. Remove the slim-optical-drive bezel.



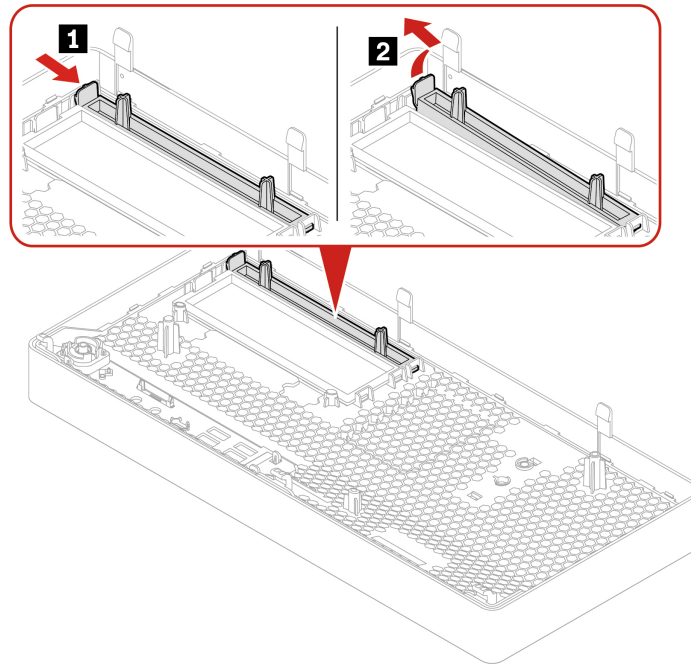
6. Install the slim-optical-drive bezel.



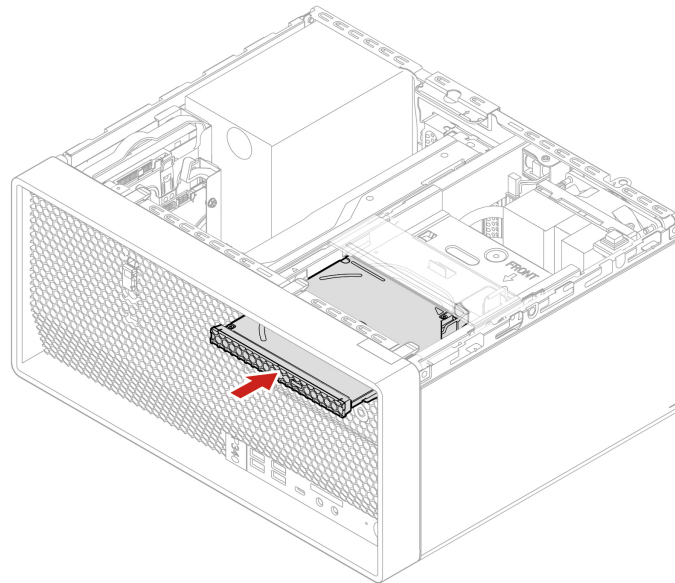
7. Install the slim-optical-drive bracket.



8. To install a new slim optical drive, if there is a plastic shield in the front bezel, remove the plastic shield as shown.



9. Install the new slim optical drive.



10. Connect the signal and power cable to the new slim optical drive.
11. Reinstall all the removed parts. Then, reconnect the power cord and all disconnected cables to the computer.

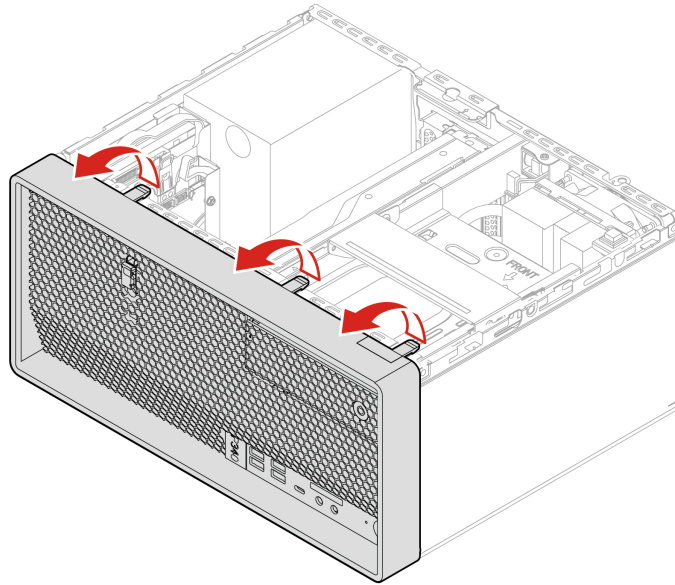
Front bezel

Prerequisite

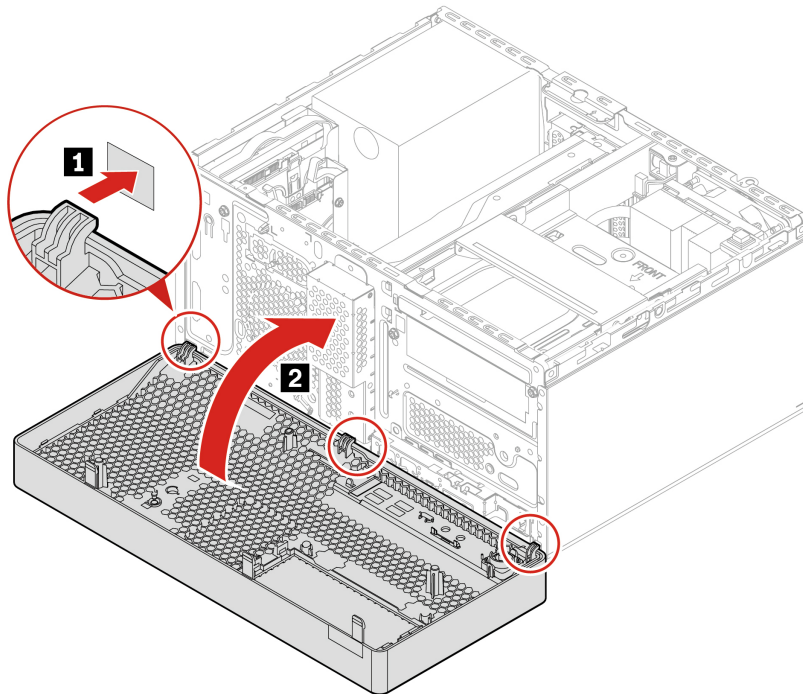
Before you start, read Appendix B “Important safety information” on page 101 and print the following instructions.

Replacement procedure

1. Remove the computer cover. See “Computer cover” on page 38.
2. Remove the slim optical drive. See “Slim optical drive” on page 39.
3. Remove the front bezel.



4. Install the front bezel.



5. Reinstall all the removed parts. Then, reconnect the power cord and all disconnected cables to the computer.

Primary storage drives

Prerequisite

Before you start, read Appendix B “Important safety information” on page 101 and print the following instructions.

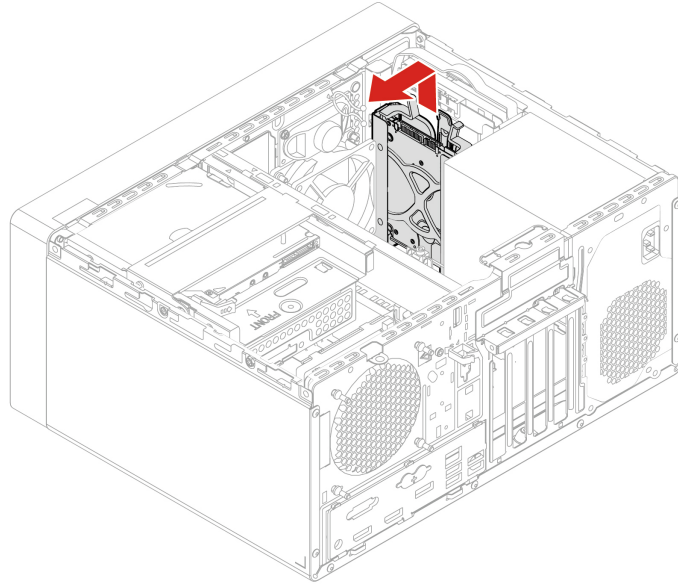
Attention: The internal storage drive is sensitive. Inappropriate handling might cause damage and permanent loss of data. When handling the internal storage drive, observe the following guidelines:

- Replace the internal storage drive only for upgrade or repair. The internal storage drive is not designed for frequent changes or replacement.
- Before replacing the internal storage drive, make a backup copy of all the data that you want to keep.
- Do not touch the contact edge of the internal storage drive. Otherwise, the internal storage drive might get damaged.
- Do not apply pressure to the internal storage drive.
- Do not make the internal storage drive subject to physical shocks or vibration. Put the internal storage drive on a soft material, such as cloth, to absorb physical shocks.

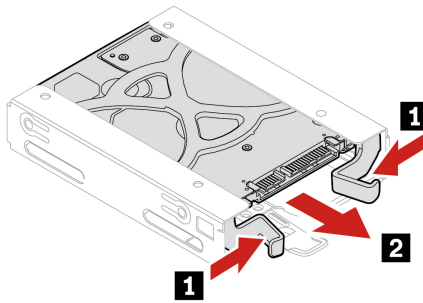
2.5-inch primary storage drive, bracket, and cage

1. Remove the computer cover. See “Computer cover” on page 38.
2. Disconnect the signal cable and the power cable from the 2.5-inch primary storage drive.

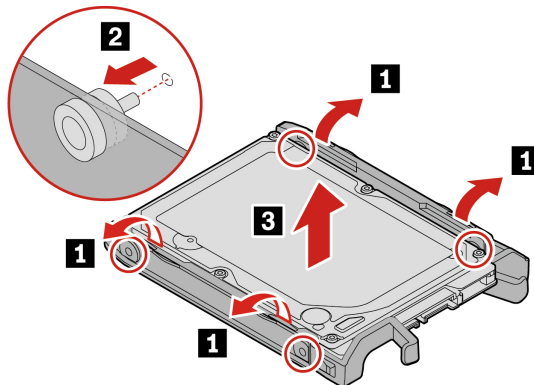
- Slide the 2.5-inch primary storage drive cage upward to release it from the 3.5-inch primary storage drive cage.



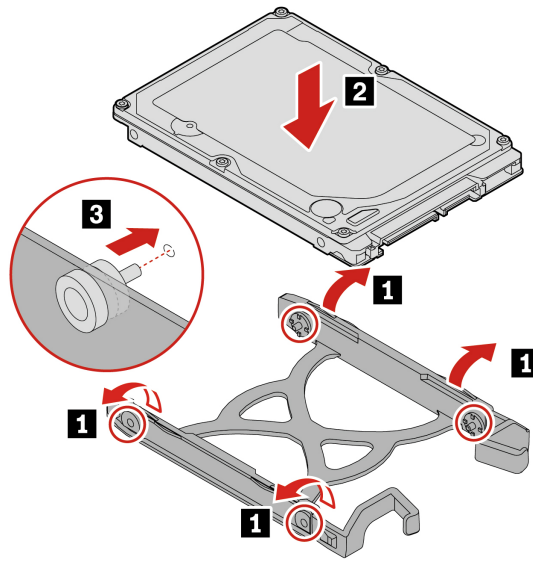
- Remove the 2.5-inch primary storage drive with the bracket from the cage.



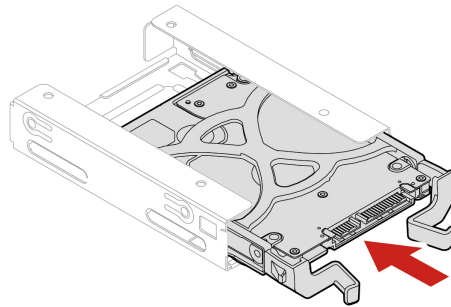
- Flex the sides of the bracket to remove the storage drive from the bracket.



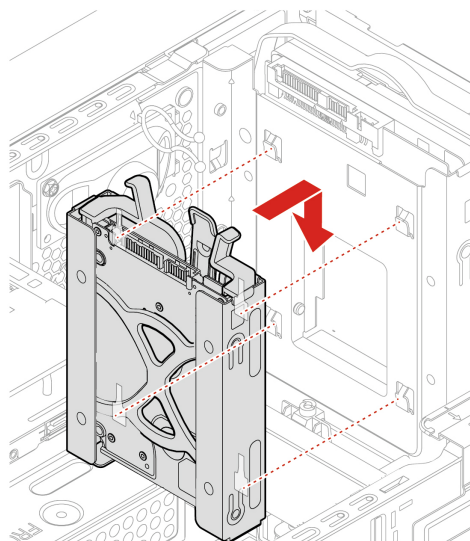
6. Install a new 2.5-inch storage drive to the bracket.



7. Install the storage drive with the bracket to the cage.



8. Install the 2.5-inch primary storage drive cage to the 3.5-inch primary storage drive cage.

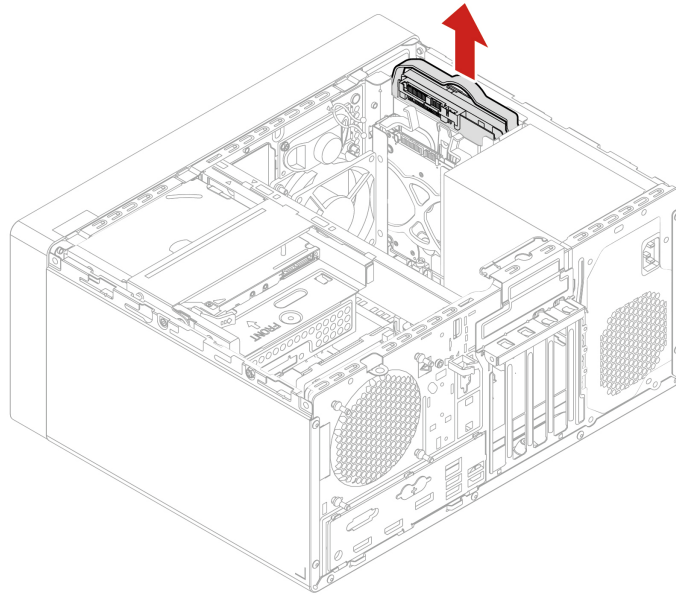


9. Connect the signal cable and the power cable to the new storage drive.

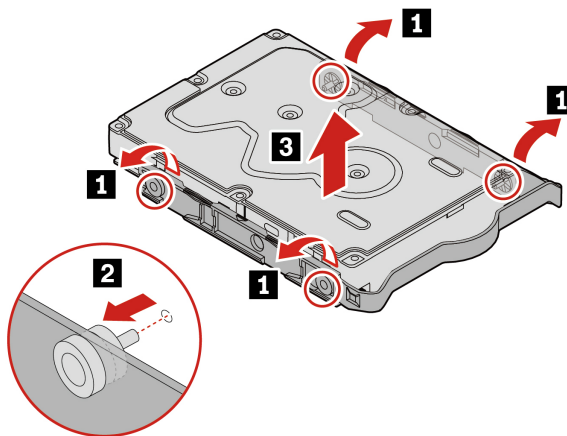
10. Reinstall all the removed parts. Then, reconnect the power cord and all disconnected cables to the computer.

3.5-inch primary storage drive and bracket

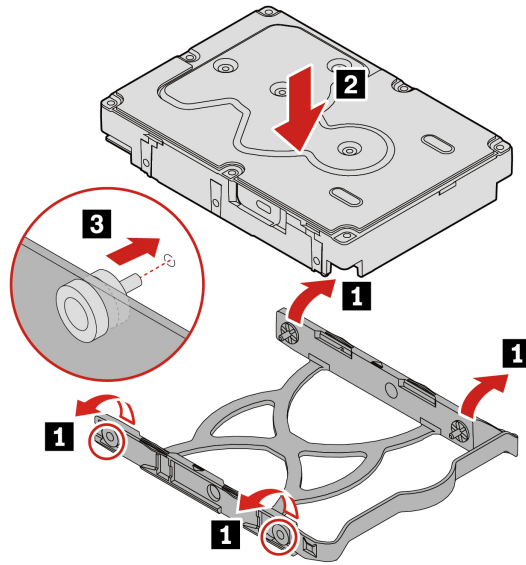
1. Remove the computer cover. See “Computer cover” on page 38.
2. Disconnect the signal cable and the power cable from the 3.5-inch primary storage drive.
3. Pull the handle of the 3.5-inch storage drive bracket to remove the storage drive with the bracket from the 3.5-inch primary storage drive cage.



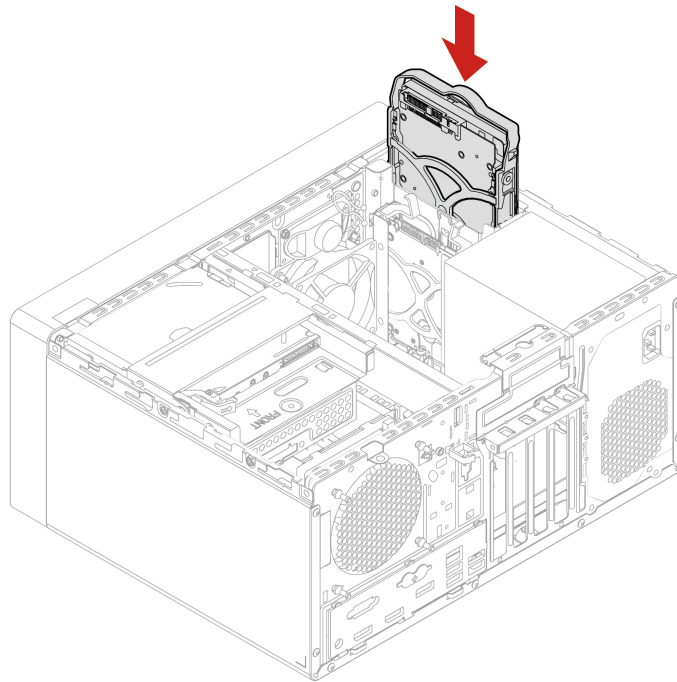
4. Flex the sides of the bracket to remove the storage drive from the bracket.



5. Install a new 3.5-inch storage drive to the bracket.



6. Install the storage drive with the bracket to the 3.5-inch primary storage drive cage.

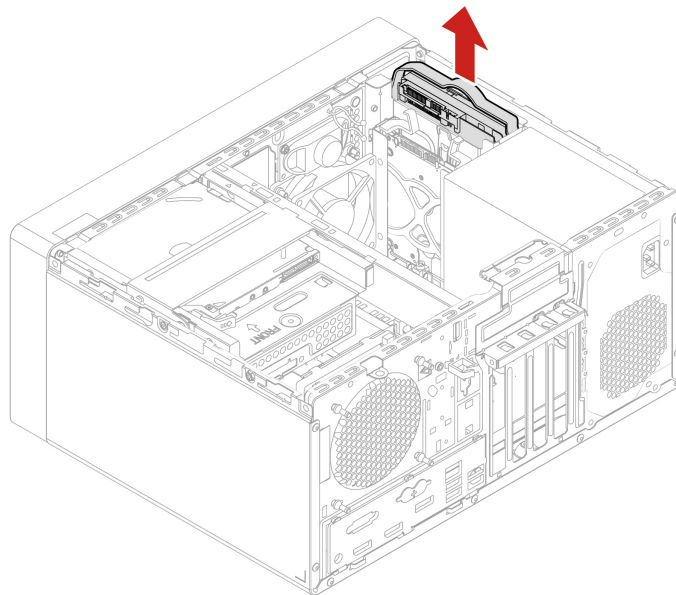


7. Connect the signal cable and the power cable to the new storage drive.
8. Reinstall all the removed parts. Then, reconnect the power cord and all disconnected cables to the computer.

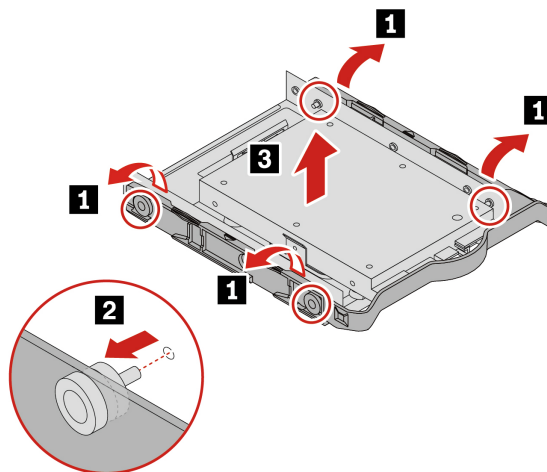
2.5-inch primary storage drive, Type-1 storage drive converter, and bracket

1. Remove the computer cover. See “Computer cover” on page 38.
2. Disconnect the signal cable and the power cable from the 2.5-inch primary storage drive.

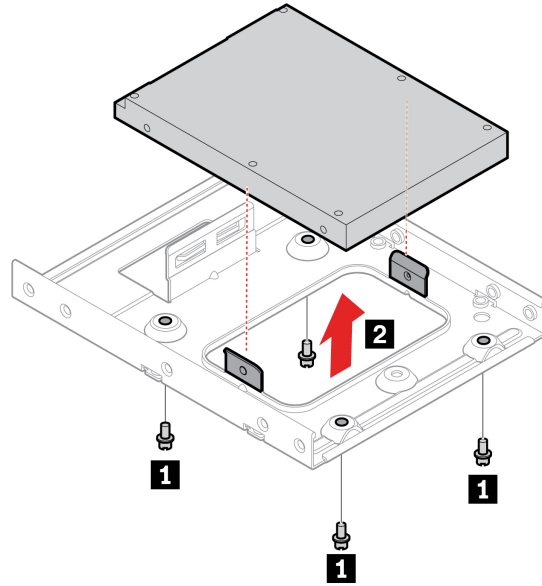
3. Pull the handle of the bracket to remove the 2.5-inch primary storage drive converter (hereinafter referred to as Type-1 storage drive converter) with the bracket from the 3.5-inch primary storage drive cage.



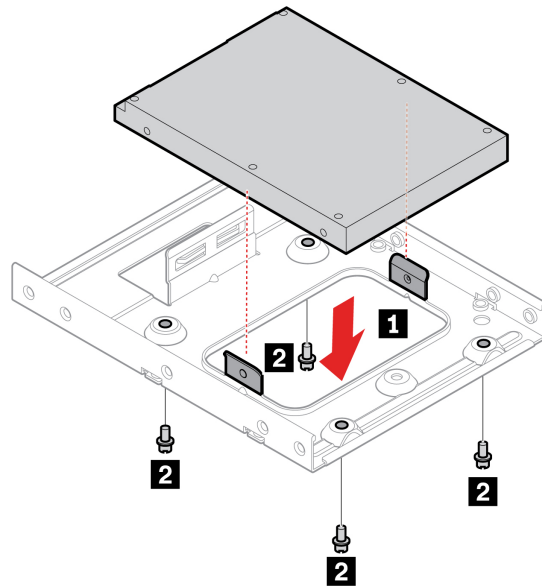
4. Flex sides of the bracket to remove the Type-1 storage drive converter from the bracket.



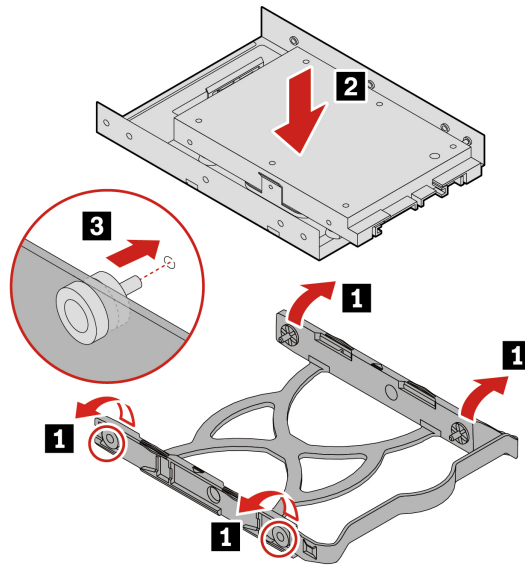
5. Remove the four screws that secure the 2.5-inch primary storage drive. Then, lift the storage drive out of the Type-1 storage drive converter.



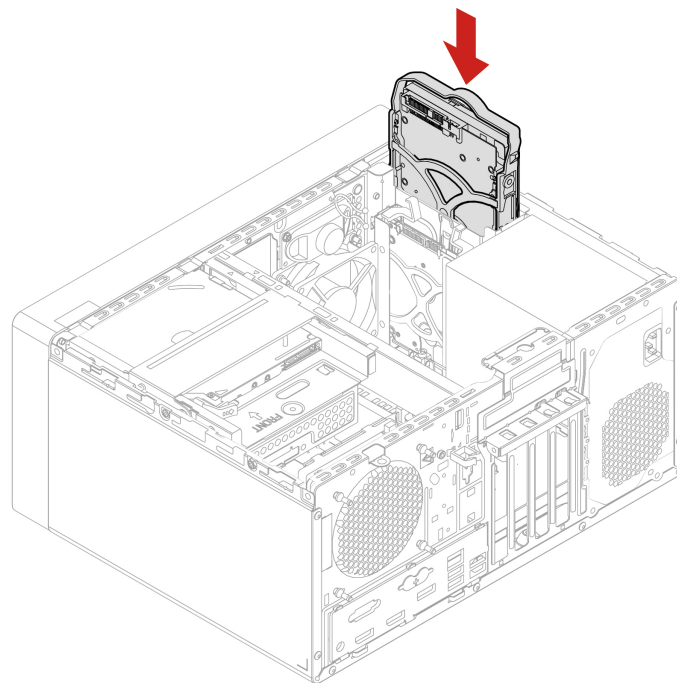
6. Install a new 2.5-inch storage drive to Type-1 storage drive converter. Then, install the four screws to secure the storage drive to Type-1 storage drive converter.



7. Install the new 2.5-inch storage drive with Type-1 storage drive converter to the 3.5-inch storage drive bracket.



8. Install Type-1 storage drive converter with the bracket to the 3.5-inch primary storage drive cage.



9. Connect the signal cable and the power cable to the new storage drive.
10. Reinstall all the removed parts. Then, reconnect the power cord and all disconnected cables to the computer.

3.5-inch primary storage drive cage

Prerequisite

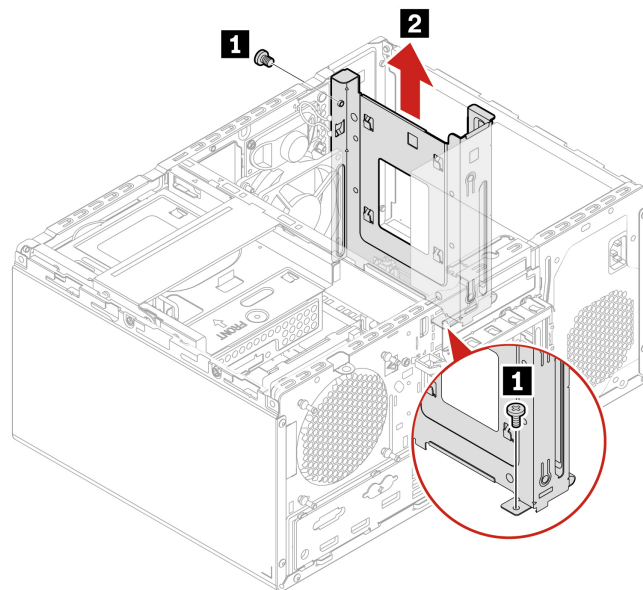
Before you start, read Appendix B “Important safety information” on page 101 and print the following instructions.

Attention: The internal storage drive is sensitive. Inappropriate handling might cause damage and permanent loss of data. When handling the internal storage drive, observe the following guidelines:

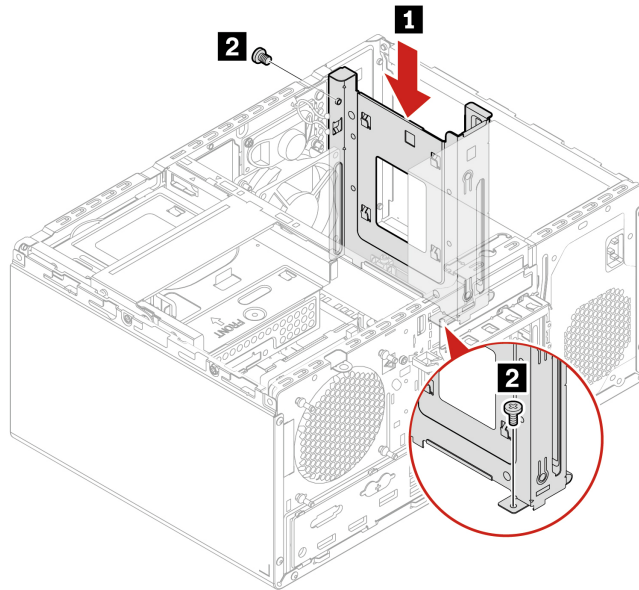
- Replace the internal storage drive only for upgrade or repair. The internal storage drive is not designed for frequent changes or replacement.
- Before replacing the internal storage drive, make a backup copy of all the data that you want to keep.
- Do not touch the contact edge of the internal storage drive. Otherwise, the internal storage drive might get damaged.
- Do not apply pressure to the internal storage drive.
- Do not make the internal storage drive subject to physical shocks or vibration. Put the internal storage drive on a soft material, such as cloth, to absorb physical shocks.

Replacement procedure

1. Remove the computer cover. See “Computer cover” on page 38.
2. Remove the slim optical drive. See “Slim optical drive” on page 39.
3. Remove the front bezel. See “Front bezel” on page 43.
4. Remove the primary storage drives. See “Primary storage drives” on page 44.
5. Remove the two screws that secure the 3.5-inch primary storage drive cage to the chassis. Then, lift the cage out of the chassis.



6. Install the 3.5-inch primary storage drive cage into the chassis. Then, install the two screws to secure the cage.



7. Reinstall all the removed parts. Then, reconnect the power cord and all disconnected cables to the computer.

Slim-optical-drive cage

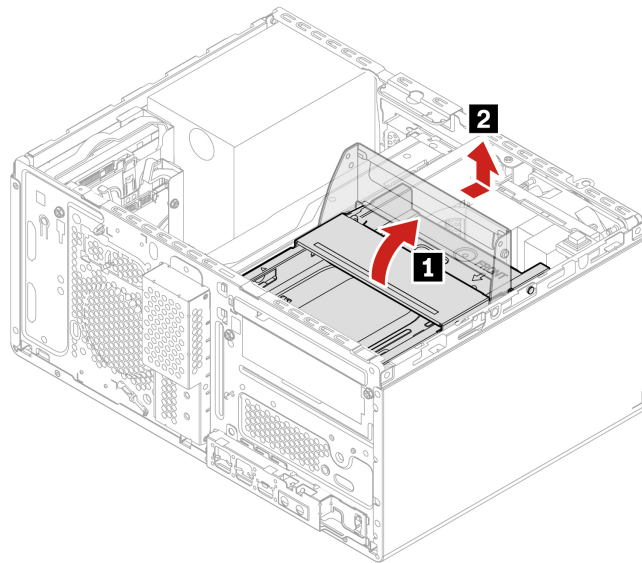
Prerequisite

Before you start, read Appendix B “Important safety information” on page 101 and print the following instructions.

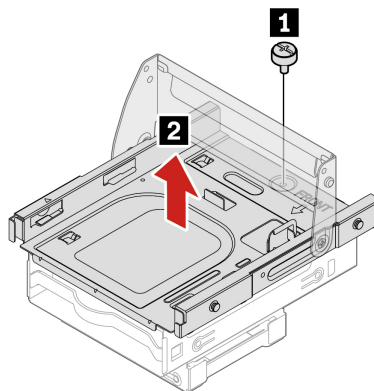
Replacement procedure

1. Remove the computer cover. See “Computer cover” on page 38.
2. Remove the slim optical drive. See “Slim optical drive” on page 39.
3. Remove the front bezel. See “Front bezel” on page 43.
4. Disconnect the signal cable and power cable from the secondary storage drives under the slim-optical-drive cage.

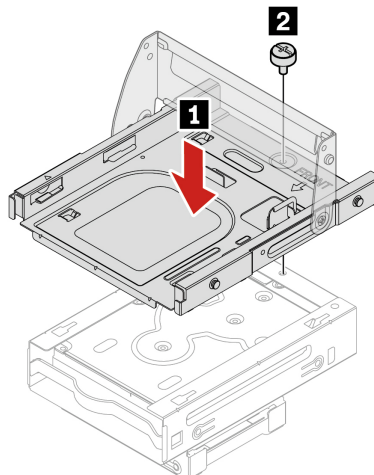
5. Remove the slim-optical-drive cage with the secondary storage drive cages from the chassis.



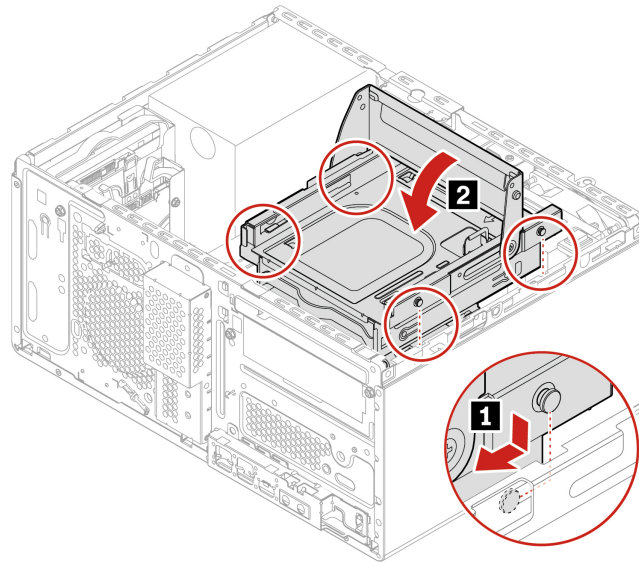
6. Remove the screw that secures the 3.5-inch secondary storage drive cage to the slim-optical-drive cage. Then, remove the slim-optical-drive cage from the 3.5-inch secondary storage drive cage.



7. Install the slim-optical-drive cage to the 3.5-inch secondary storage drive cage.



8. Install the slim-optical-drive cage to the chassis.



9. Connect the signal cable and power cable to the secondary storage drives.
10. Reinstall all the removed parts. Then, reconnect the power cord and all disconnected cables to the computer.

Secondary storage drives

Prerequisite

Before you start, read Appendix B “Important safety information” on page 101 and print the following instructions.

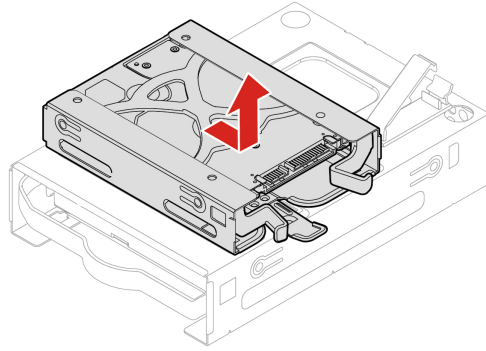
Attention: The internal storage drive is sensitive. Inappropriate handling might cause damage and permanent loss of data. When handling the internal storage drive, observe the following guidelines:

- Replace the internal storage drive only for upgrade or repair. The internal storage drive is not designed for frequent changes or replacement.
- Before replacing the internal storage drive, make a backup copy of all the data that you want to keep.
- Do not touch the contact edge of the internal storage drive. Otherwise, the internal storage drive might get damaged.
- Do not apply pressure to the internal storage drive.
- Do not make the internal storage drive subject to physical shocks or vibration. Put the internal storage drive on a soft material, such as cloth, to absorb physical shocks.

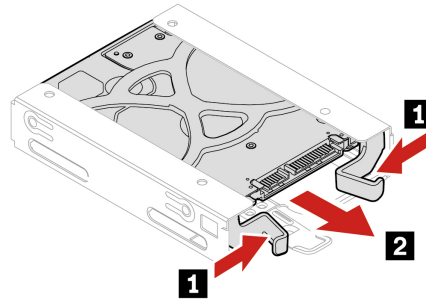
2.5-inch secondary storage drive, bracket, and cage

1. Remove the computer cover. See “Computer cover” on page 38.
2. Remove the front bezel. See “Front bezel” on page 43.
3. Remove the slim optical drive. See “Slim optical drive” on page 39.
4. Remove the slim-optical-drive cage. See “Slim-optical-drive cage” on page 53.

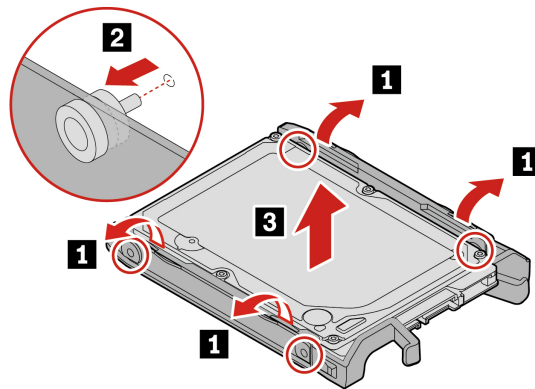
5. Remove the 2.5-inch secondary storage drive cage from the 3.5-inch secondary storage drive cage.



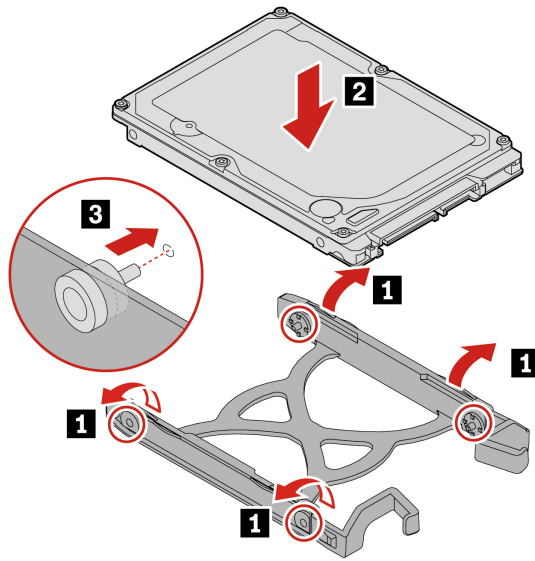
6. Remove the 2.5-inch secondary storage drive with the bracket from the cage.



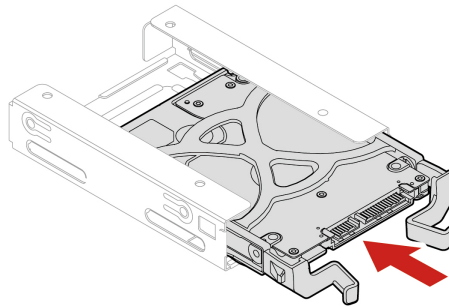
7. Flex the sides of the bracket to remove the storage drive from the bracket.



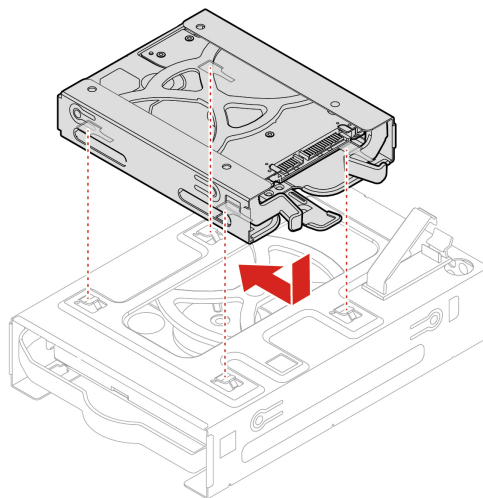
8. Install a new 2.5-inch secondary storage drive to the plastic bracket.



9. Install the new 2.5-inch secondary storage drive with the bracket to the cage.



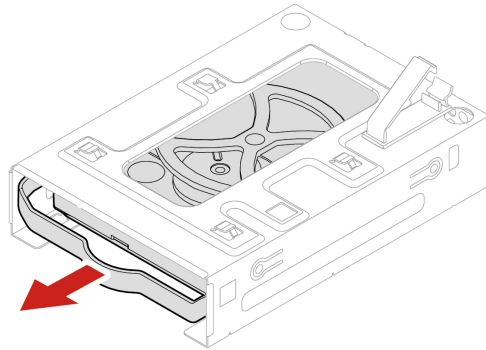
10. Install the 2.5-inch secondary storage drive cage to the 3.5-inch secondary storage drive cage.



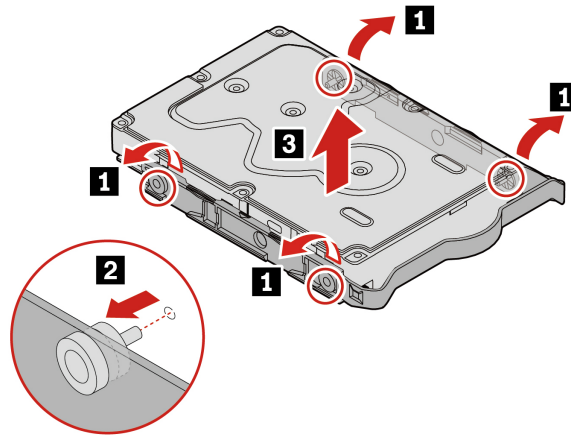
11. Reinstall all the removed parts. Then, reconnect the power cord and all disconnected cables to the computer.

3.5-inch secondary storage drive, plastic bracket, and cage

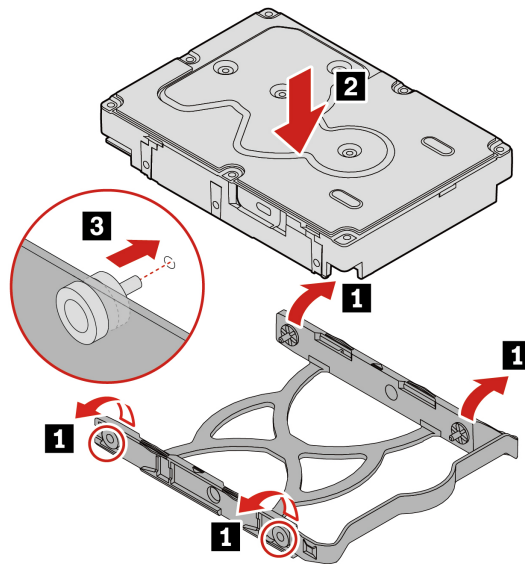
1. Remove the computer cover. See “Computer cover” on page 38.
2. Remove the front bezel. See “Front bezel” on page 43.
3. Remove the slim optical drive. See “Slim optical drive” on page 39.
4. Remove the slim-optical-drive cage. See “Slim-optical-drive cage” on page 53.
5. Remove the 2.5-inch secondary storage drive cage. See “2.5-inch secondary storage drive, bracket, and cage” on page 55
6. Remove the 3.5-inch secondary storage drive with the plastic bracket from the cage.



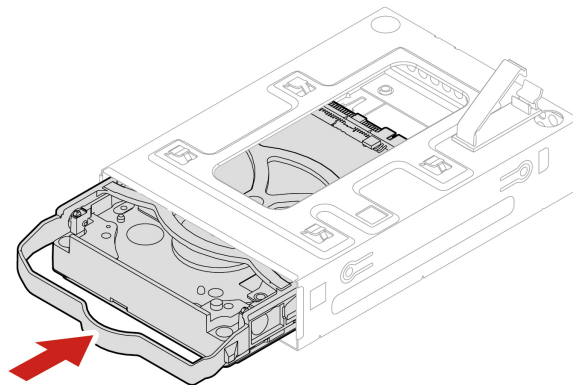
7. Remove the 3.5-inch secondary storage drive from the plastic bracket.



8. Install a new 3.5-inch secondary storage drive to the plastic bracket.



9. Install the 3.5-inch secondary storage drive with the bracket to the 3.5-inch secondary storage drive cage.



10. Reinstall all the removed parts. Then, reconnect the power cord and all disconnected cables to the computer.

Storage drive in the front-access storage enclosure

Prerequisite

Before you start, read Appendix B “Important safety information” on page 101 and print the following instructions.

Attention: The internal storage drive is sensitive. Inappropriate handling might cause damage and permanent loss of data. When handling the internal storage drive, observe the following guidelines:

- Replace the internal storage drive only for upgrade or repair. The internal storage drive is not designed for frequent changes or replacement.
- Before replacing the internal storage drive, make a backup copy of all the data that you want to keep.

- Do not touch the contact edge of the internal storage drive. Otherwise, the internal storage drive might get damaged.
- Do not apply pressure to the internal storage drive.
- Do not make the internal storage drive subject to physical shocks or vibration. Put the internal storage drive on a soft material, such as cloth, to absorb physical shocks.

You can install or replace a storage drive in the front-access storage enclosure. The storage drive also can be hot-swappable, which means that you can install or replace the drive without even turning off your computer. Therefore, lock the enclosure cover to prevent the unexpected removal. The keys are attached at the rear of the computer. Store the keys in a secure place.

The storage drive in the front-access storage enclosure is hot-swappable only when the following requirements are met:

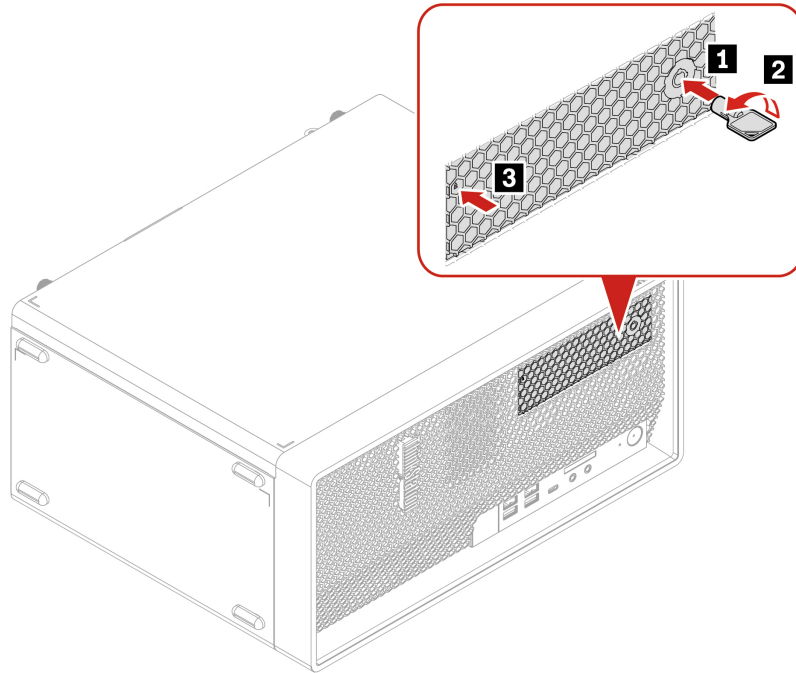
- The eSATA mode of the SATA 4 connector is enabled in BIOS by doing the following:
 1. Restart the computer. When the logo screen is displayed, press F1 or Fn+F1.
 2. Select **Devices → ATA Drive Setup → SATA Drive 4 Hot-Plug Support** and press Enter.
 3. Select **Enabled** and press Enter.
 4. Press F10 or Fn+F10 to save the changes and exit.
- The SATA cable of the front-access storage enclosure is connected to the SATA 4 connector on the system board.
- The operating system of your computer does not reside on the storage drive installed in the front-access storage enclosure.

Attention: If any of the above requirements are not met, do not install or replace the storage drive when the computer is turned on. Otherwise, data on the storage drive might get damaged.

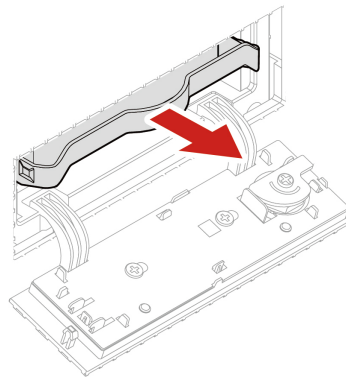
3.5-inch storage drive

1. Before removing an old 3.5-inch storage drive, safely eject the old storage drive from the operating system first. For more information, see the Linux help system.

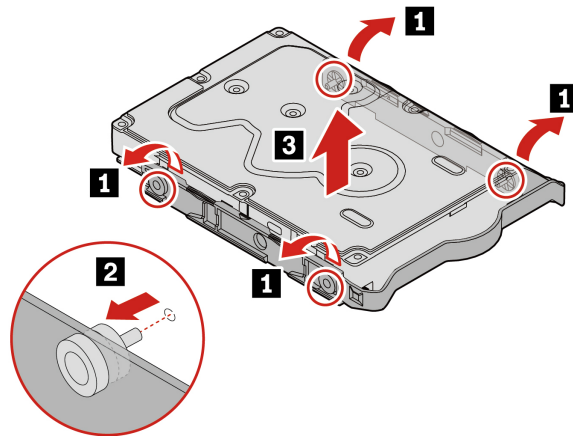
2. Unlock the enclosure cover with the provided key as shown. Press the lower end to open the enclosure cover.



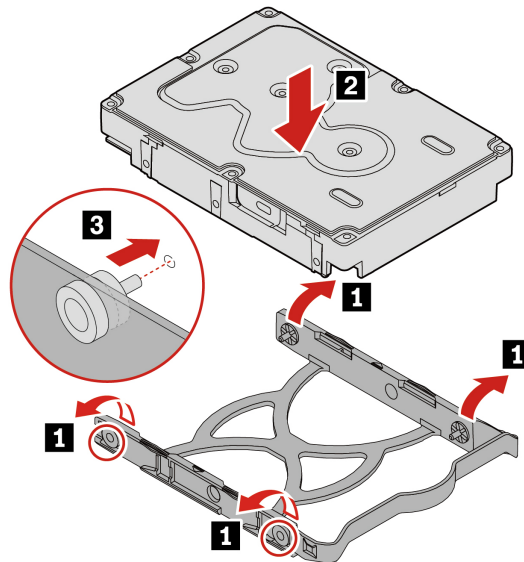
3. Pull the handle of the bracket to remove the 3.5-inch storage drive with the bracket from the front-access storage enclosure.



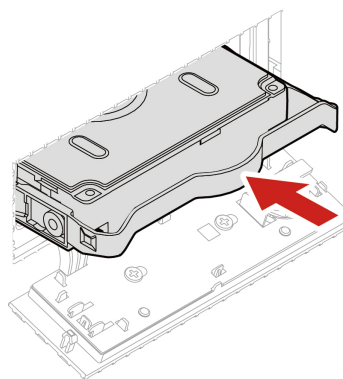
4. Remove the 3.5-inch storage drive from the plastic bracket.



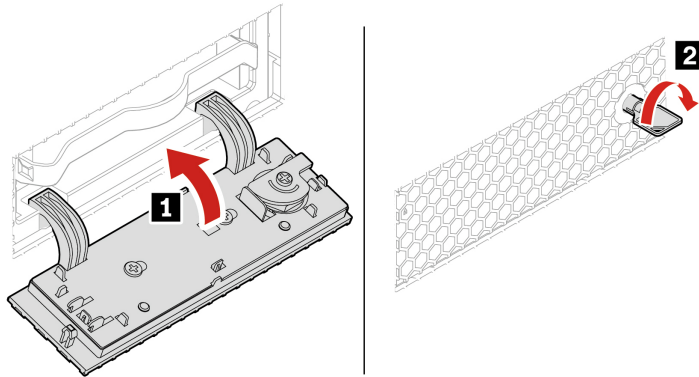
5. Install a new 3.5-inch storage drive to the plastic bracket.



6. Slide the plastic bracket with 3.5-inch storage drive into the front-access storage enclosure until it snaps into position.



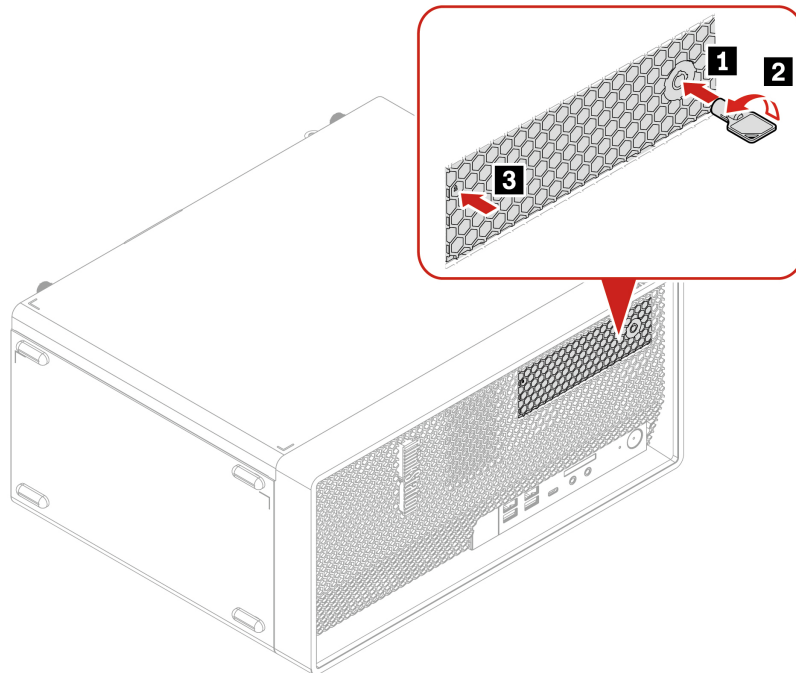
7. Close the enclosure cover and lock it with the key.



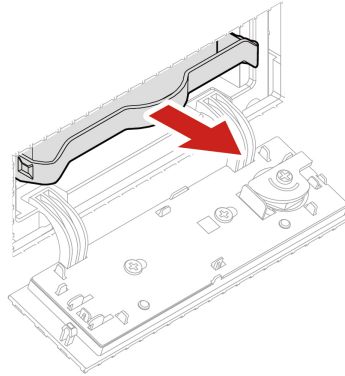
8. Reinstall all the removed parts. Then, reconnect the power cord and all disconnected cables to the computer.

2.5-inch storage drive installed in the 3.5-inch front-access storage enclosure

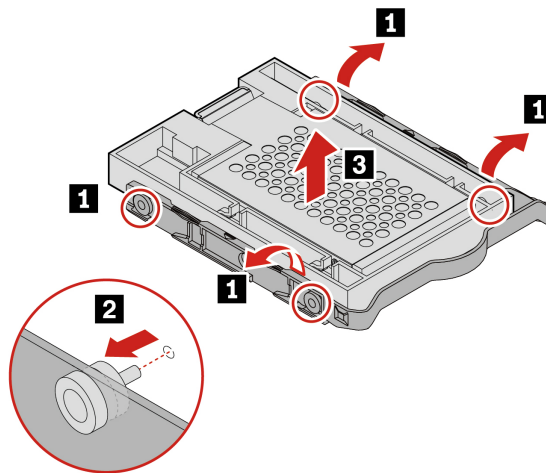
1. Before removing an old 2.5-inch storage drive, safely eject the old storage drive from the operating system first. For more information, see the Linux help system.
2. Unlock the enclosure cover with the provided key as shown. Press the lower end to open the enclosure cover.



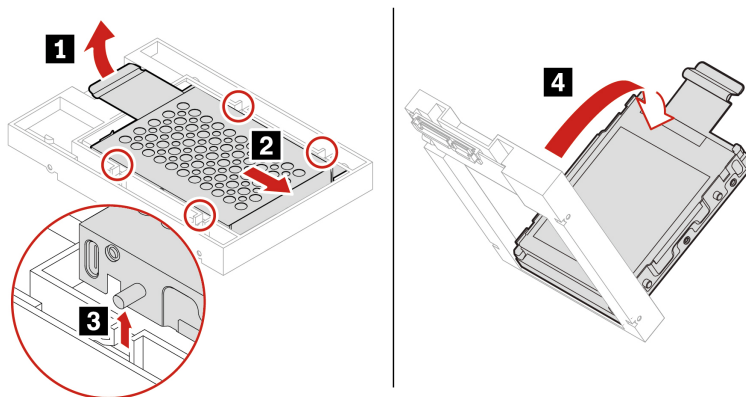
3. Pull the handle of the bracket to remove the 2.5-inch storage drive converter (hereinafter referred to as Type-2 storage drive converter) with the bracket from the front-access storage enclosure.



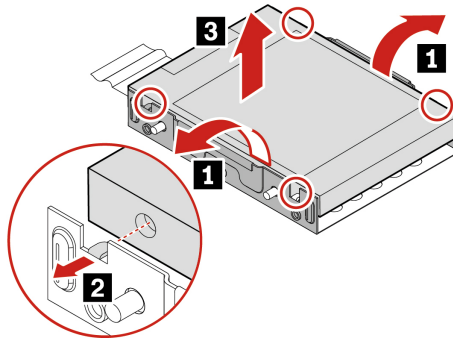
4. Flex the sides of the bracket to remove the Type-2 storage drive converter from bracket.



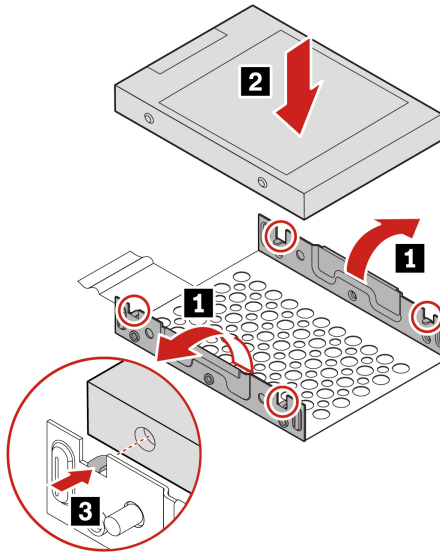
5. Pivot the tab of the metal adapter upward. Then, push the adapter as shown until the four tabs on the adapter slide into the notches. Pivot the adapter as shown to remove it with the storage drive from the converter.



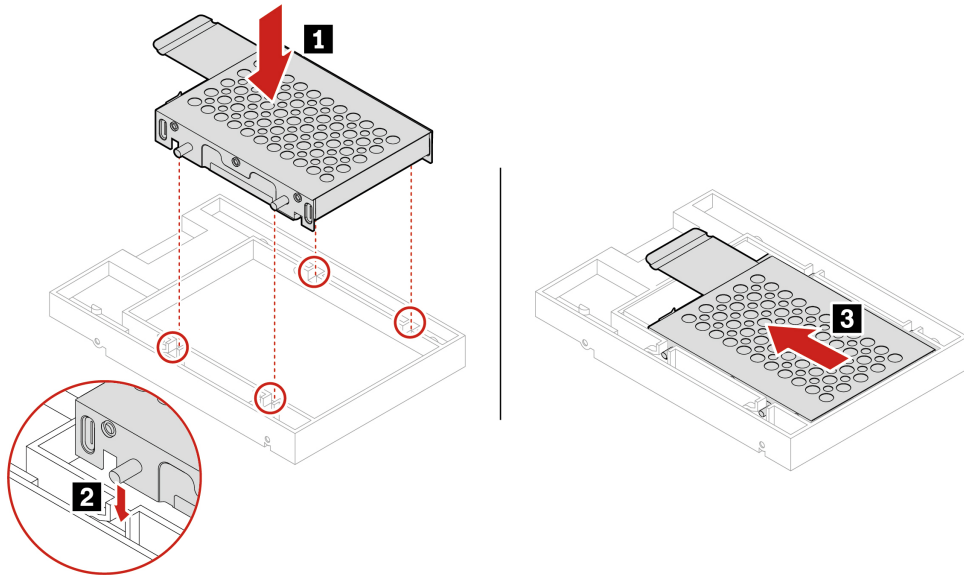
6. Flex both sides of the adapter to release the four pins from the storage drive. Then, remove the storage drive from the adapter.



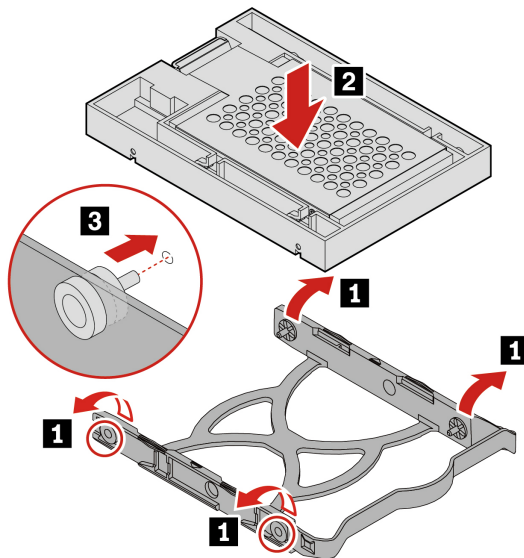
7. Note the orientation of the connector on the new storage drive. Then, flex both sides of the adapter and align the four pins with the corresponding holes in the storage drive.



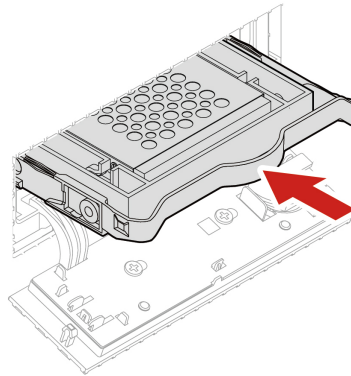
8. Align the four tabs on the adapter with the corresponding notches in the converter. Then, slide the storage drive as shown until the tab snaps into position. The adapter with the storage drive is installed into the converter.



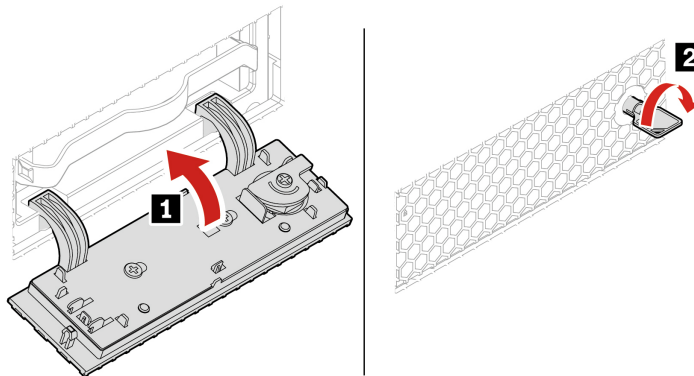
9. Flex both sides of the plastic bracket and align pins on the plastic bracket with the corresponding holes in the plastic frame of the converter.



- Slide the plastic bracket with Type-2 storage drive converter into the front-access storage enclosure until it snaps into position.



- Close the enclosure cover and lock it with the key.



- Reinstall all the removed parts. Then, reconnect the power cord and all disconnected cables to the computer.

PCI-Express card

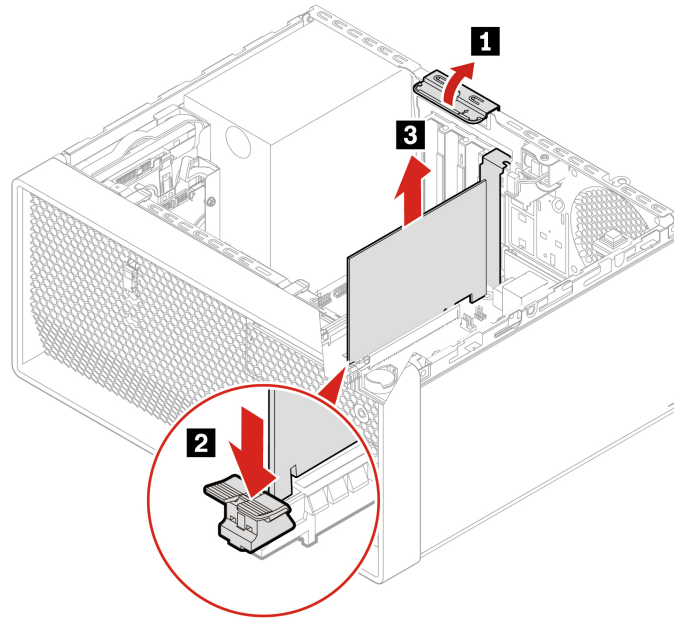
Prerequisite

Before you start, read Appendix B “Important safety information” on page 101 and print the following instructions.

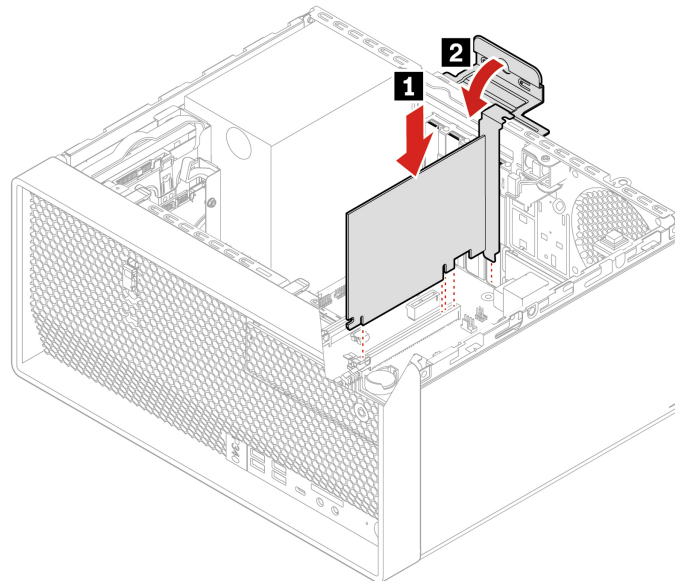
Replacement procedure

- Remove the computer cover. See “Computer cover” on page 38.

2. Remove the PCI-Express card.



3. Install a new PCI-Express card.



4. Reinstall all the removed parts. Then, reconnect the power cord and all disconnected cables to the computer.

Graphics card

Prerequisite

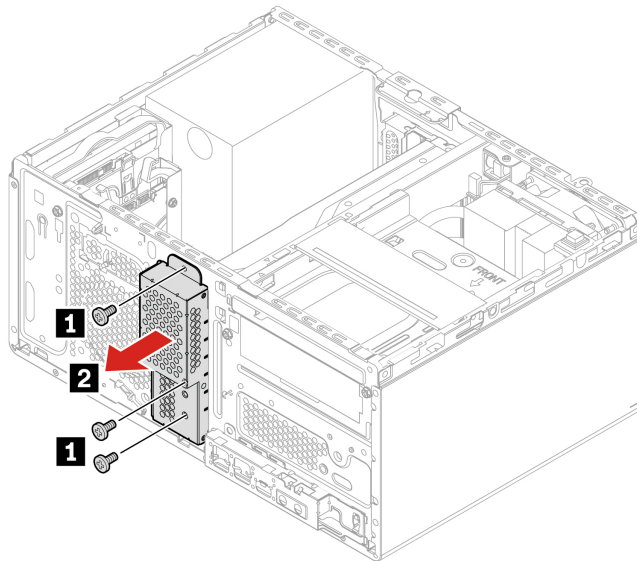
Before you start, read Appendix B “Important safety information” on page 101 and print the following instructions.

Notes:

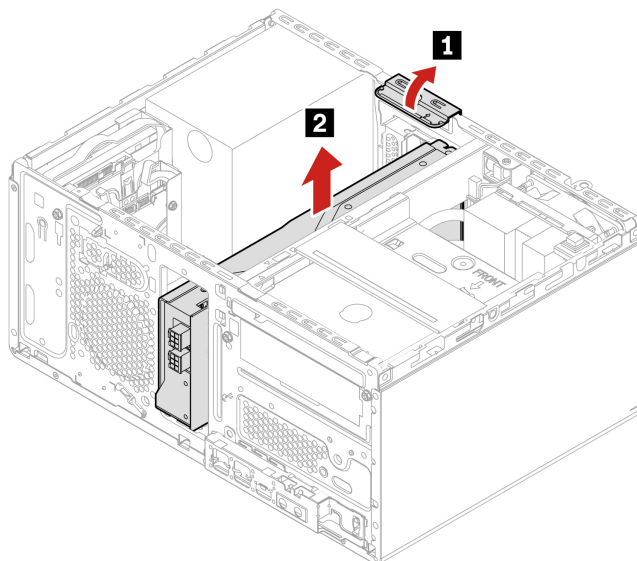
- If there is only one discrete graphics card, install it in the PCI-Express x16 graphics card slot.
- If there are two discrete graphics cards, install the one with higher power consumption in the PCI-Express x16 graphics card slot, and install the other in the PCI-Express x4 card slot.

Graphics card secured with a bracket

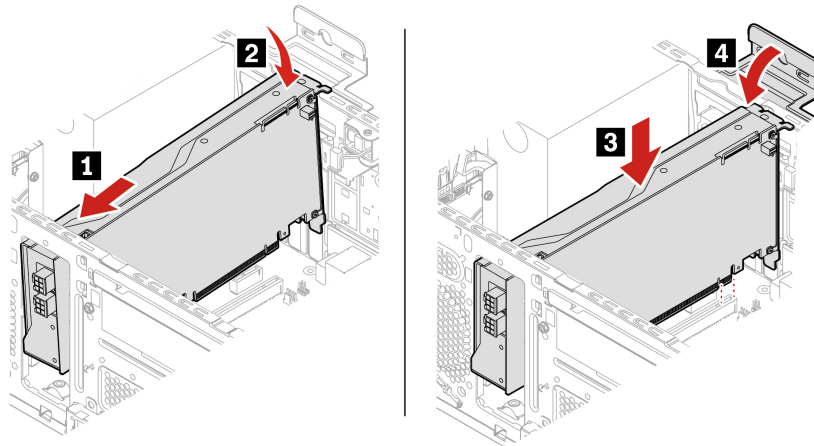
1. Remove the computer cover. See “Computer cover” on page 38.
2. Remove the slim optical drive. See “Slim optical drive” on page 39.
3. Remove the front bezel. See “Front bezel” on page 43.
4. Disconnect the power cable (if any) from the graphics card.
5. Remove the bracket that secures the graphics card.



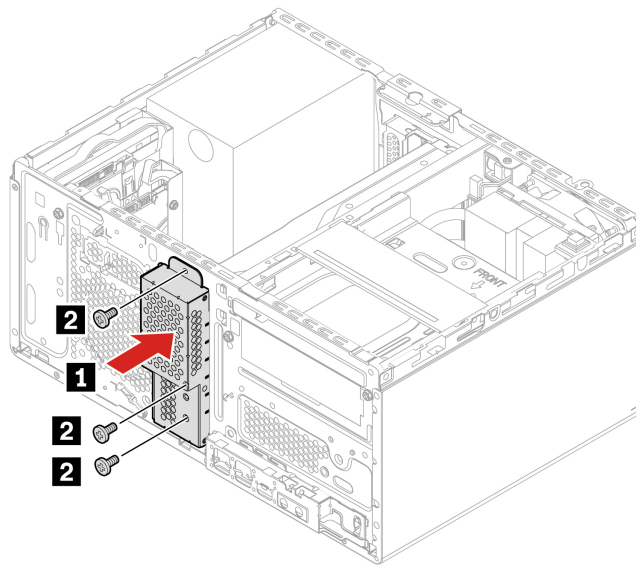
6. Remove the graphics card.



7. Install a new graphics card.



8. Install the bracket to secure the graphics card.



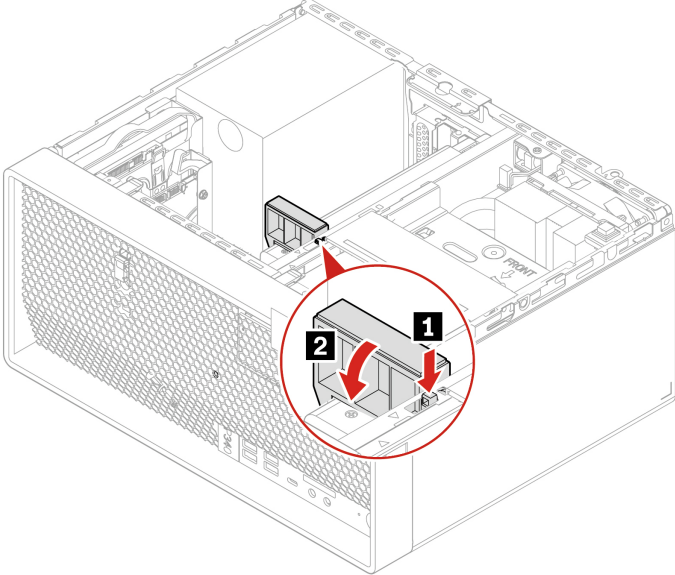
9. Reconnect the power cable (if any) to the graphics card.

10. Reinstall all the removed parts. Then, reconnect the power cord and all disconnected cables to the computer.

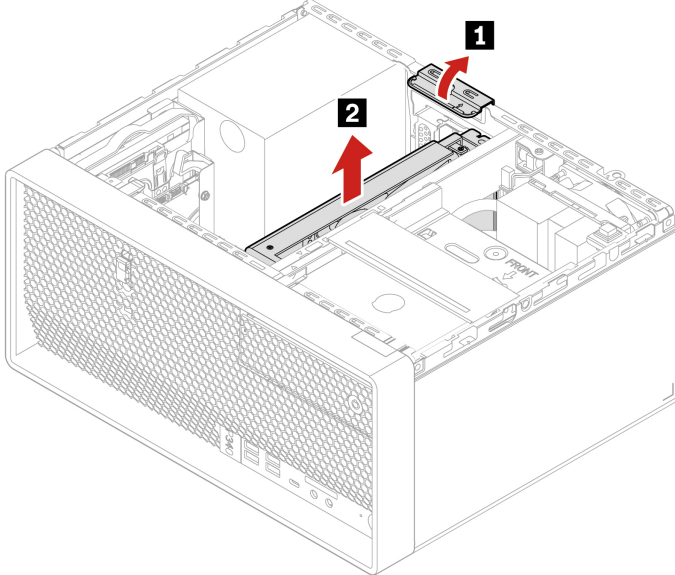
Graphics card secured with a plastic holder

1. Remove the computer cover. See “Computer cover” on page 38.
2. Disconnect the power cable (if any) from the graphics card.

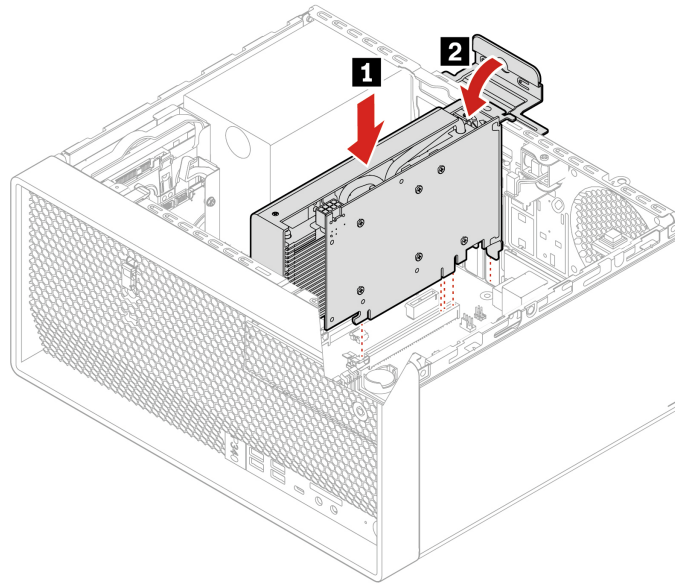
3. Remove the plastic holder that secures the graphics card.



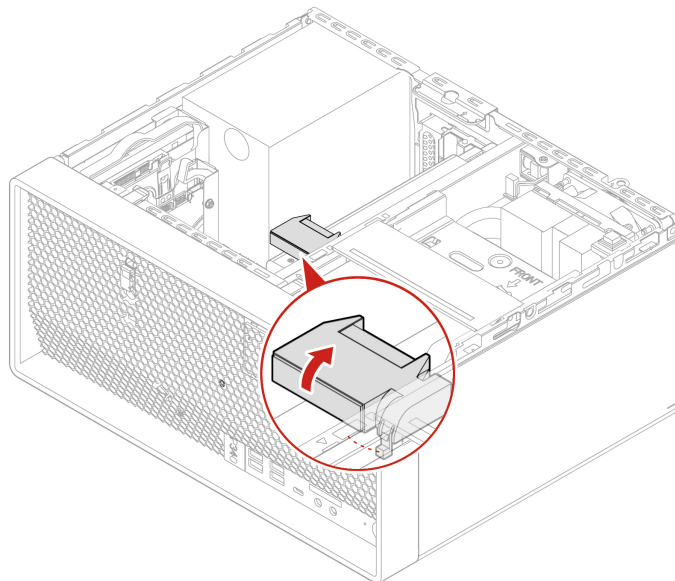
4. Remove the graphics card.



5. Install a new graphics card.



6. Install the plastic holder to secure the graphics card.



7. Reconnect the power cable (if any) to the graphics card.
8. Reinstall all the removed parts. Then, reconnect the power cord and all disconnected cables to the computer.

M.2 solid-state drive and heat sink

Prerequisite

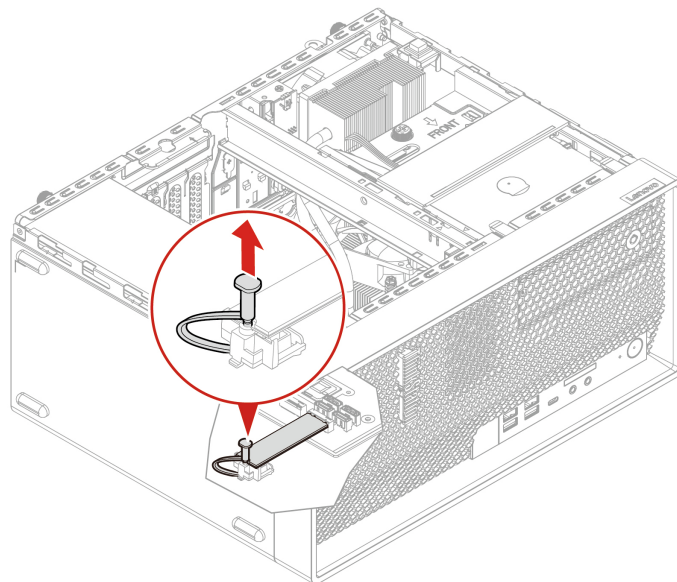
Before you start, read Appendix B “Important safety information” on page 101 and print the following instructions.

Attention: The internal storage drive is sensitive. Inappropriate handling might cause damage and permanent loss of data. When handling the internal storage drive, observe the following guidelines:

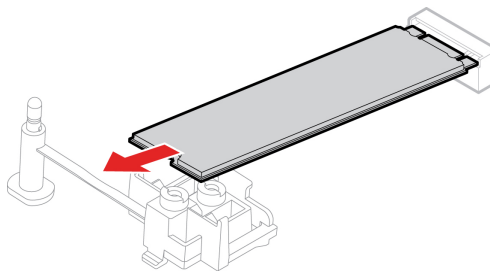
- Replace the internal storage drive only for upgrade or repair. The internal storage drive is not designed for frequent changes or replacement.
- Before replacing the internal storage drive, make a backup copy of all the data that you want to keep.
- Do not touch the contact edge of the internal storage drive. Otherwise, the internal storage drive might get damaged.
- Do not apply pressure to the internal storage drive.
- Do not make the internal storage drive subject to physical shocks or vibration. Put the internal storage drive on a soft material, such as cloth, to absorb physical shocks.

M.2 solid-state drive and heat sink on the system board

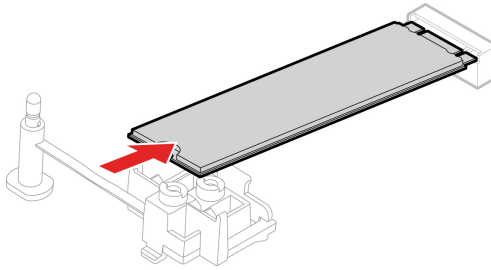
1. Remove the computer cover. See “Computer cover” on page 38.
2. Remove the 2.5-inch primary storage drive cage. See “Primary storage drives” on page 44.
3. Replace the M.2 solid-state drive and the heat sink depending on the computer model:
 - For computers without the heat sink for the M.2 solid-state drive:
 - a. Pull out the stopper.



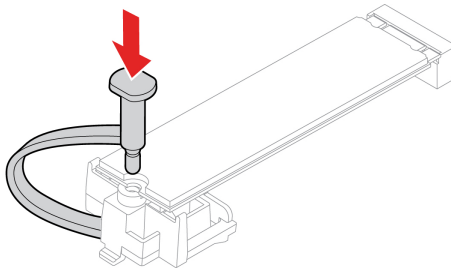
- b. Remove the M.2 solid-state drive.



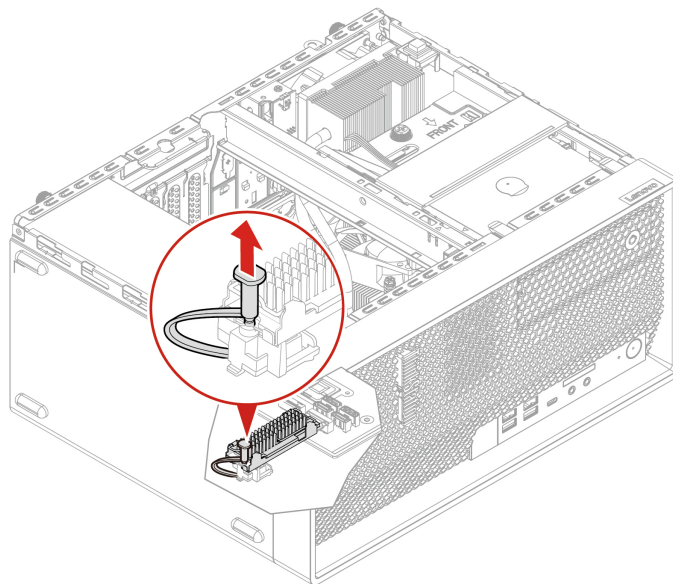
c. Install the M.2 solid-state drive.



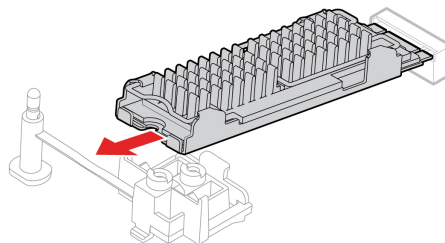
d. Insert the stopper.



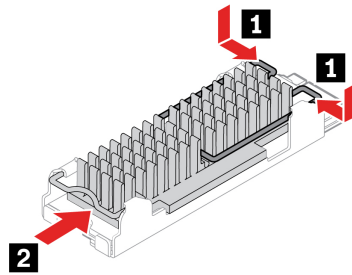
- For computers with the heat sink for the M.2 solid-state drive:
 - a. Pull out the stopper.



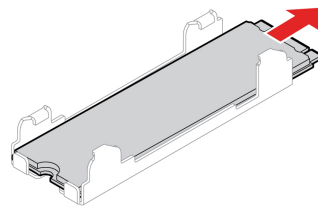
b. Remove the heat sink with the bracket.



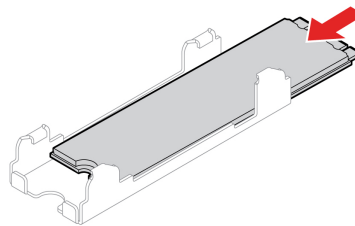
- c. Remove the heat sink.



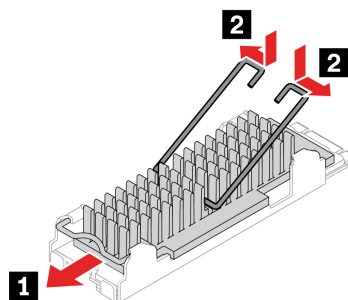
- d. Remove the M.2 solid-state drive.



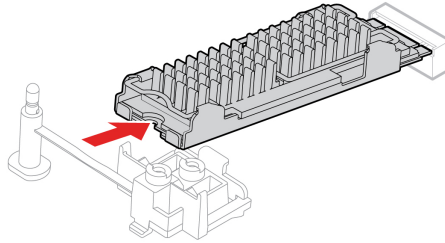
- e. Remove the film that covers the thermal pad on the bracket, if any. Then, install the M.2 solid-state drive.



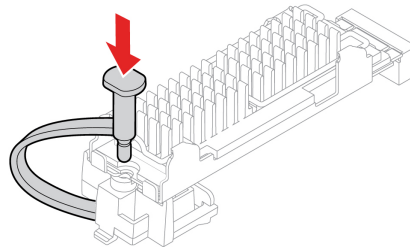
- f. Remove the film that covers the thermal pad at the bottom of the heat sink, if any. Then, install the heat sink.



g. Install the heat sink with the bracket.



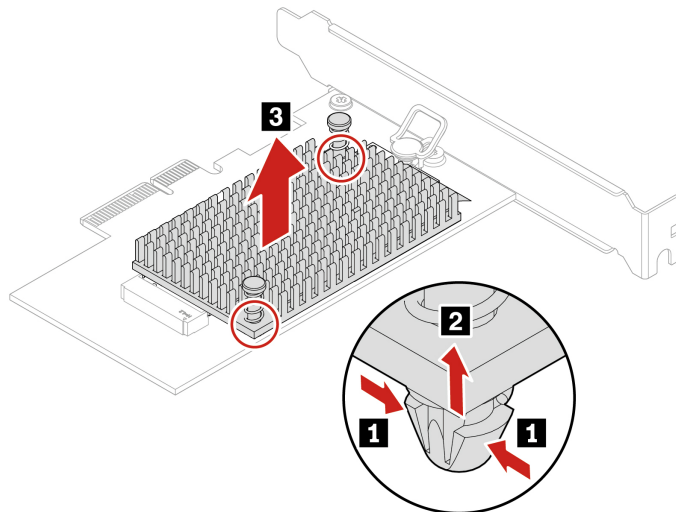
h. Insert the stopper.



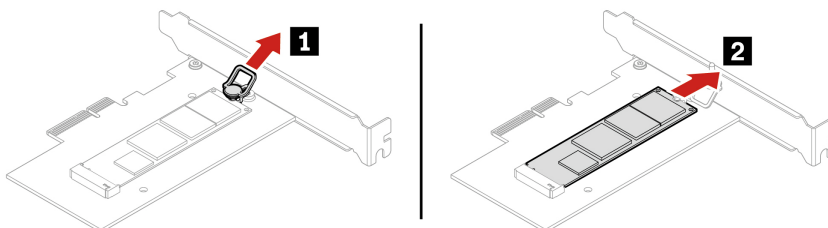
4. Reinstall all the removed parts. Then, reconnect the power cord and all disconnected cables to the computer.

M.2 solid-state drive in an M.2 solid-state drive PCIe adapter

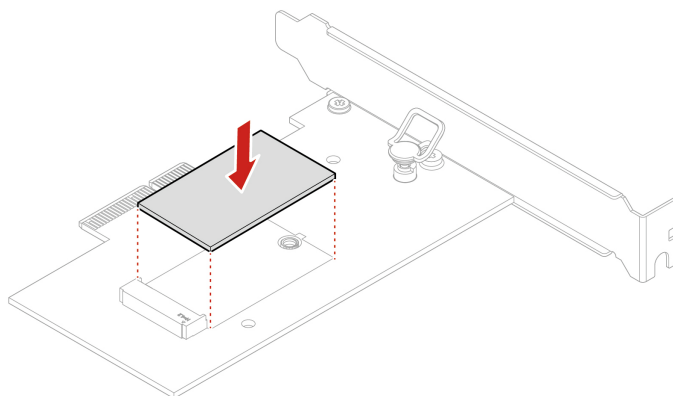
1. Remove the computer cover. See “Computer cover” on page 38.
2. Locate and remove the M.2 solid-state drive PCIe adapter from the PCIe card slot. See “PCI-Express card” on page 67.
3. The heat sink is secured by two mounting studs. Pinch the clips of the studs inward and push the studs upward to release the heat sink. Then, lift the heat sink off the M.2 solid-state drive PCIe adapter.



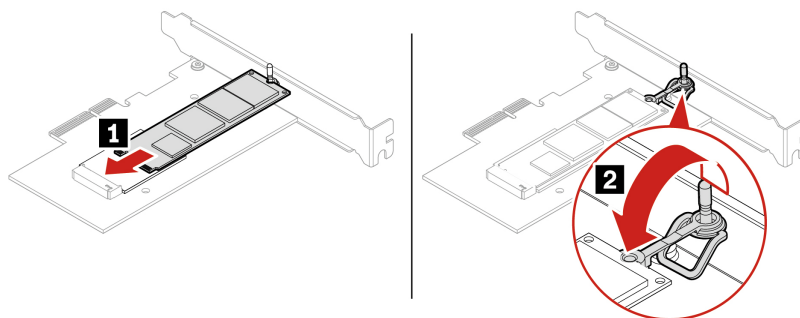
4. The M.2 solid-state drive is secured by a retention latch. Pull the handle of the retention latch outward to release the M.2 solid-state drive. Then, gently pull the M.2 solid-state drive out of the M.2 slot.



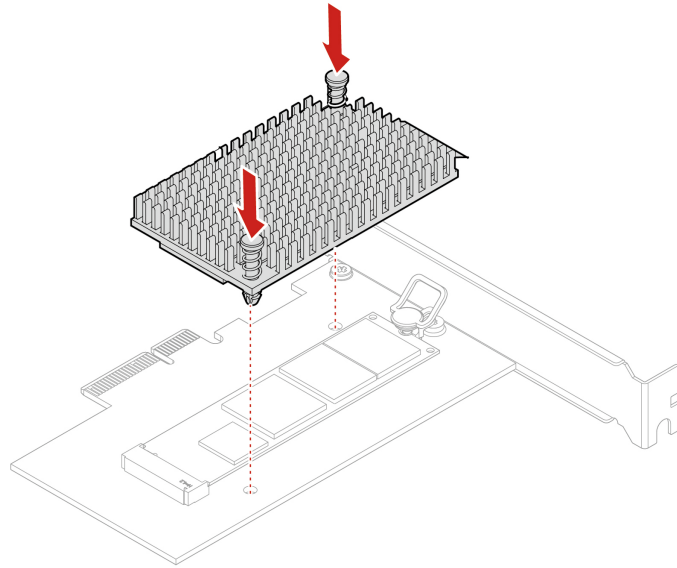
5. Ensure that a thermal pad is placed in position on the M.2 solid-state drive PCIe adapter.



6. Pull outward the handle of the retention latch in the M.2 solid-state drive adapter.
7. Insert the new M.2 solid-state drive into the M.2 slot. Then, insert the plug of the retention latch into the hole to secure the new drive.



8. Position the heat sink on the M.2 solid-state drive PCIe adapter. Ensure that the two mounting studs in the heat sink are aligned with the holes in the M.2 solid-state drive PCIe adapter. Then, push the mounting studs downward to secure the heat sink to the adapter.



9. Install the M.2 solid-state drive PCIe adapter in the appropriate PCIe card slot on the system board. See “PCI-Express card” on page 67.
10. Reinstall all the removed parts. Then, reconnect the power cord and all disconnected cables to the computer.

M.2 solid-state drive bracket

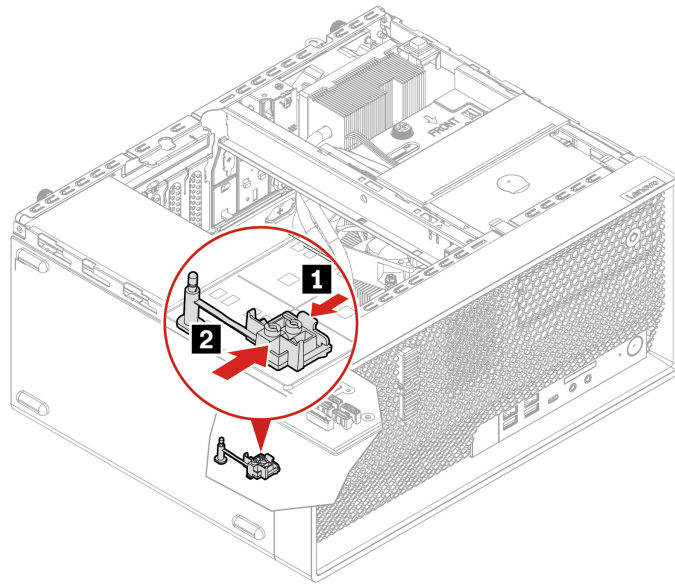
Prerequisite

Before you start, read Appendix B “Important safety information” on page 101 and print the following instructions.

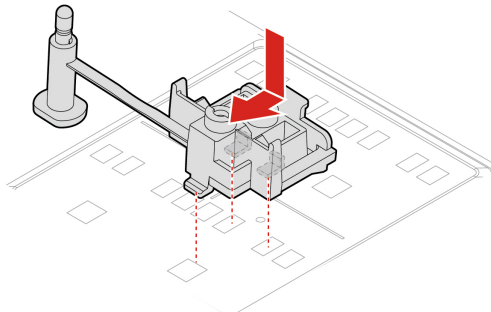
Replacement procedure

1. Remove the computer cover. See “Computer cover” on page 38.
2. Remove the 2.5-inch primary storage drive cage. See “Primary storage drives” on page 44.
3. Remove the M.2 solid-state drive and heat sink on the system board. See “M.2 solid-state drive and heat sink” on page 72.

4. Remove the M.2 solid-state drive bracket.



5. Install the M.2 solid-state drive bracket.



6. Reinstall all the removed parts. Then, reconnect the power cord and all disconnected cables to the computer.

Front fan

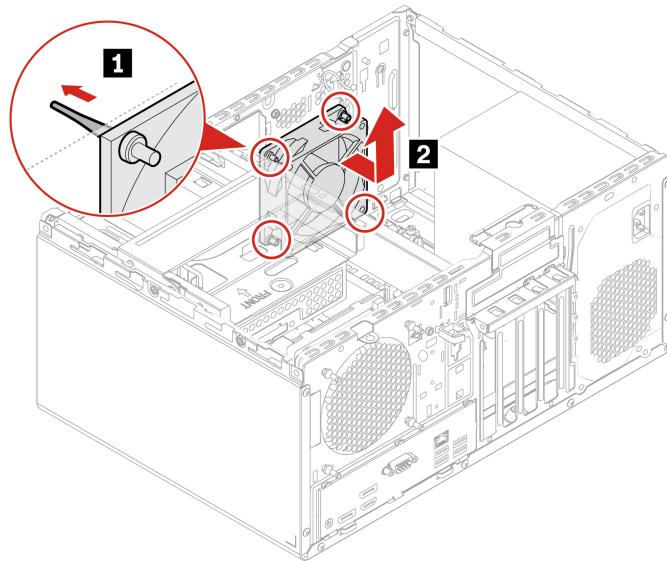
Prerequisite

Before you start, read Appendix B “Important safety information” on page 101 and print the following instructions.

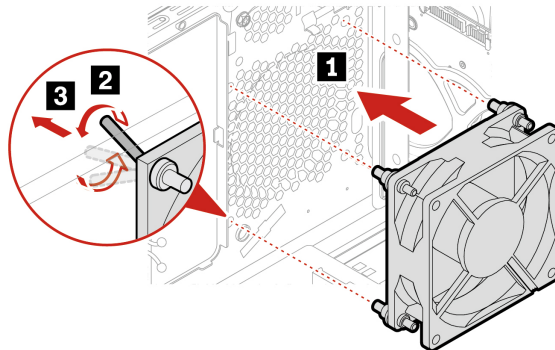
Replacement procedure

1. Remove the computer cover. See “Computer cover” on page 38.
2. Remove the slim optical drive. See “Slim optical drive” on page 39.
3. Remove the front bezel. See “Front bezel” on page 43.
4. Disconnect the front fan cable from the front fan connector on the system board.

5. The front fan is attached to the chassis by four rubber mounts. Stretch the tips of the rubber mounts and gently pull the front fan assembly out of the chassis.



6. Align the rubber mounts with the corresponding holes in the chassis and push the rubber mounts through the holes. Rotate and pull the tips of the rubber mounts until the front fan assembly is secured.



7. Connect the front fan cable to the front fan connector on the system board.
8. Reinstall all the removed parts. Then, reconnect the power cord and all disconnected cables to the computer.

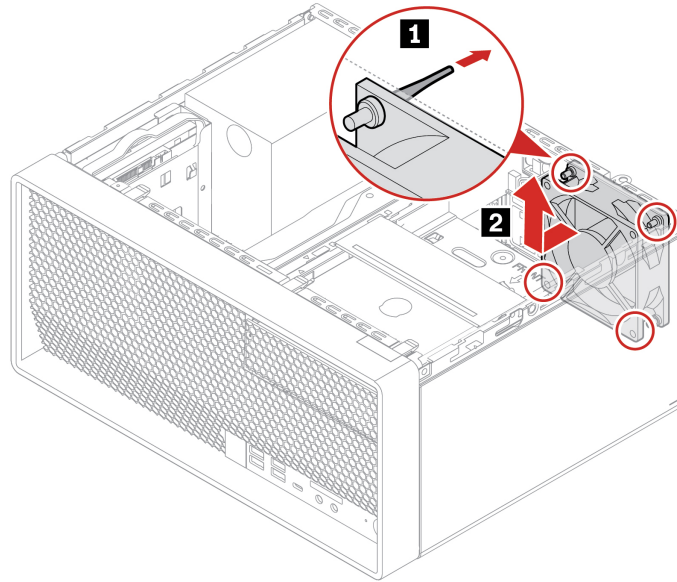
Rear fan

Prerequisite

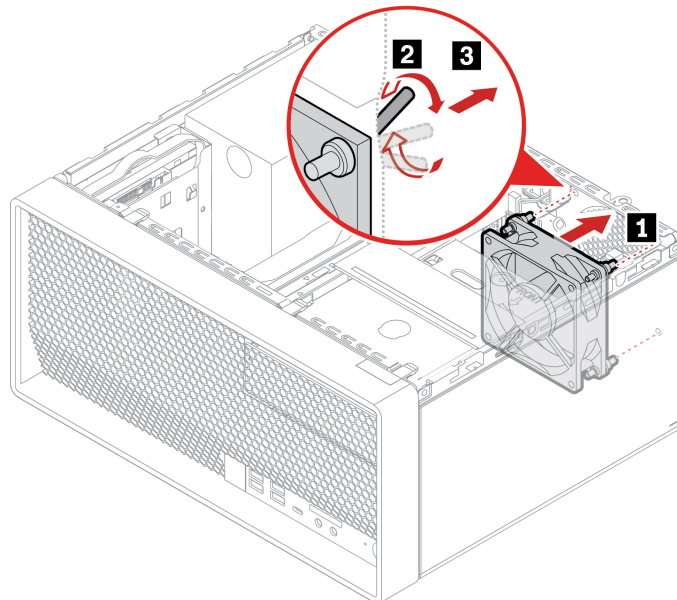
Before you start, read Appendix B “Important safety information” on page 101 and print the following instructions.

Replacement procedure

1. Remove the computer cover. See “Computer cover” on page 38.
2. Disconnect the rear fan cable from the rear fan connector on the system board.
3. The rear fan is attached to the chassis by four rubber mounts. Stretch the tips of the rubber mounts and gently pull the rear fan assembly out of the chassis.



4. Align the rubber mounts with the corresponding holes in the chassis and push the rubber mounts through the holes. Rotate and pull the tips of the rubber mounts until the rear fan assembly is secured.



5. Connect the rear fan cable to the rear fan connector on the system board.
6. Reinstall all the removed parts. Then, reconnect the power cord and all disconnected cables to the computer.

Heat-sink-and-fan assembly

Prerequisite

Before you start, read Appendix B “Important safety information” on page 101 and print the following instructions.



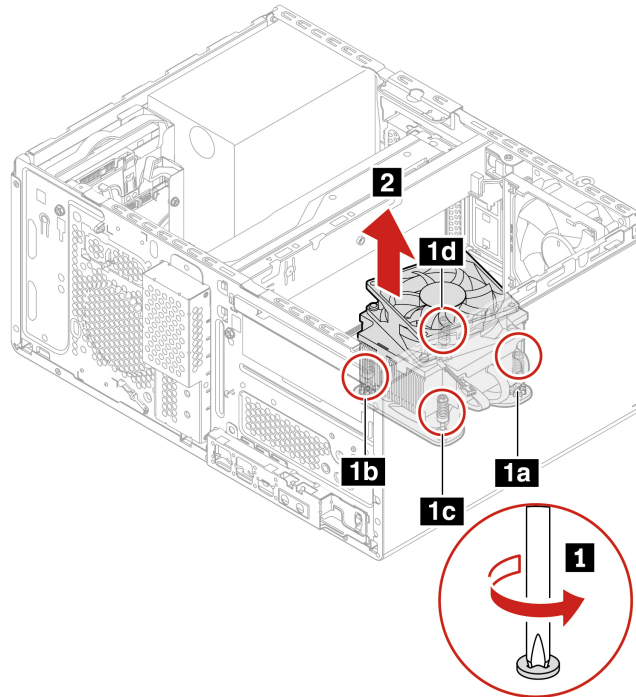
The heat sink might be very hot. Before you open the computer cover, turn off the computer and wait several minutes until the computer is cool.

Replacement procedure

1. Remove the computer cover. See “Computer cover” on page 38.
2. Remove the slim optical drive. See “Slim optical drive” on page 39.
3. Remove the front bezel. See “Front bezel” on page 43.
4. Remove the slim-optical-drive cage. See “Slim-optical-drive cage” on page 53.
5. Disconnect the heat-sink-and-fan assembly cable from the microprocessor fan connector on the system board.
6. Depending on the computer models, the heat-sink-and-fan assembly might vary. To replace the heat-sink-and-fan assembly:
 - Type-1:
 - a. Follow the following sequence to loosen the four screws that secure the heat-sink-and-fan assembly to the system board. Then, lift the heat-sink-and-fan assembly off the system board.
 - Partially loosen screw **1a**, fully loosen screw **1b**, and then fully loosen screw **1a**.
 - Partially loosen screw **1c**, fully loosen screw **1d**, and then fully loosen screw **1c**.

Notes:

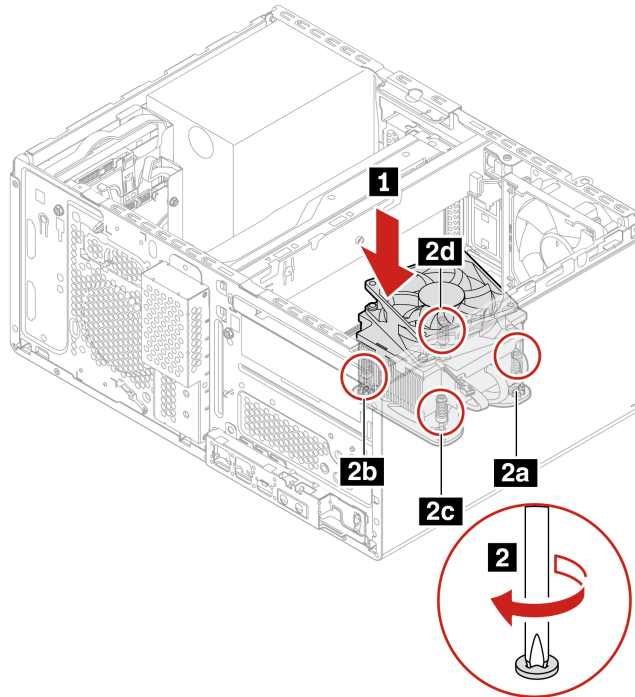
- Carefully loosen the four screws to avoid any possible damage to the system board. The four screws cannot be removed from the heat-sink-and-fan assembly.
- You might have to gently twist the heat-sink-and-fan assembly to free it from the microprocessor.
- Do not touch the thermal grease while handling the heat-sink-and-fan assembly.



- b. Position the heat-sink-and-fan assembly on the system board. Ensure that the four screws are aligned with the holes in the system board. Follow the following sequence to tighten the four screws to secure the new heat-sink-and-fan assembly. Do not over-tighten the screws.
- Partially tighten screw **2a**, fully tighten screw **2b**, and then fully tighten screw **2a**.
 - Partially tighten screw **2c**, fully tighten screw **2d**, and then fully tighten screw **2c**.

Notes:

- Apply appropriate amount of thermal grease to the new heat-sink-and-fan assembly.
- Ensure that the heat-sink-and-fan assembly cable is toward the microprocessor fan connector on the system board.

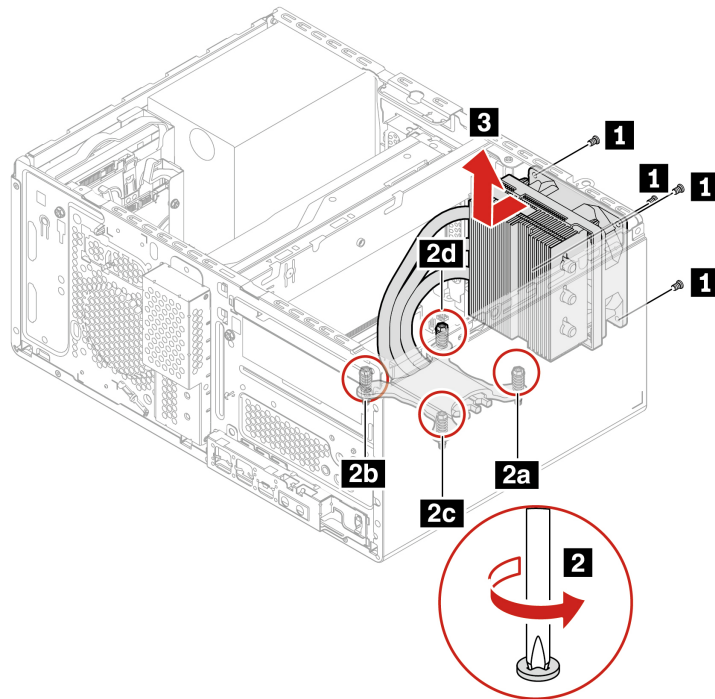


- Type-2:

- a. Remove the four screws that secure the heat-sink-and-fan assembly to the chassis. Then, follow the following sequence to loosen the four screws that secure the heat-sink-and-fan assembly to the system board. Then, lift the heat-sink-and-fan assembly off the system board.
 - Partially loosen screw **2a**, fully loosen screw **2b**, and then fully loosen screw **2a**.
 - Partially loosen screw **2c**, fully loosen screw **2d**, and then fully loosen screw **2c**.

Notes:

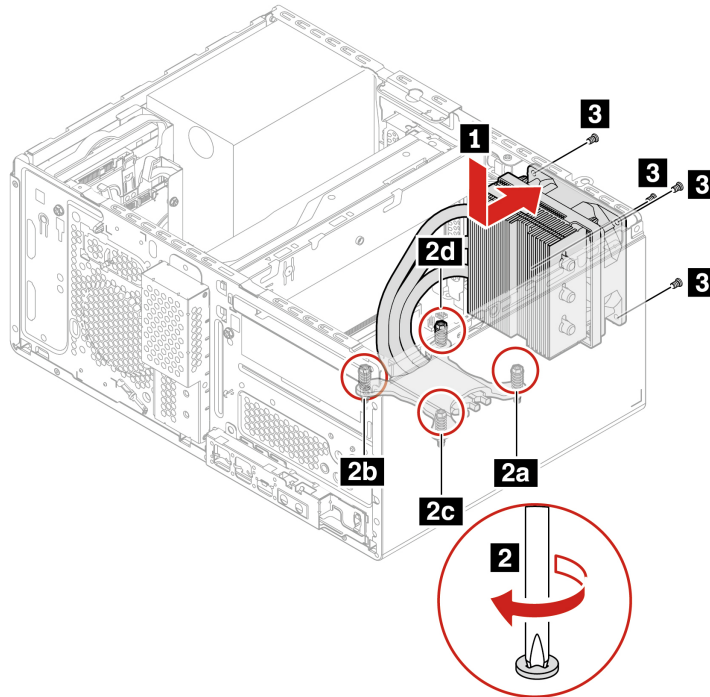
- Carefully loosen the four screws to avoid any possible damage to the system board. The four screws cannot be removed from the heat-sink-and-fan assembly.
- You might have to gently twist the heat-sink-and-fan assembly to free it from the microprocessor.
- Do not touch the thermal grease while handling the heat-sink-and-fan assembly.
- In case you need to remove the chassis beam as well, ensure that this type-2 heat-sink-and-fan assembly has been removed before you remove the chassis beam.



- b. Position the new heat-sink-and-fan assembly on the system board. Ensure that the four screws are aligned with the holes in the system board. Follow the following sequence to tighten the four screws to secure the new heat-sink-and-fan assembly to the system board. Do not over-tighten the screws. Then, install the four screws to secure the new heat-sink-and-fan assembly to the chassis.
- Partially tighten screw **2a**, fully tighten screw **2b**, and then fully tighten screw **2a**.
 - Partially tighten screw **2c**, fully tighten screw **2d**, and then fully tighten screw **2c**.

Notes:

- Apply appropriate amount of thermal grease to the new heat-sink-and-fan assembly.
- In case you need to install the chassis beam as well, ensure that it has been installed in place before you install this Type-2 heat-sink-and-fan assembly.



7. Connect the heat-sink-and-fan assembly cable to the microprocessor fan connector on the system board.
8. Reinstall all the removed parts. Then, reconnect the power cord and all disconnected cables to the computer.

Chassis beam

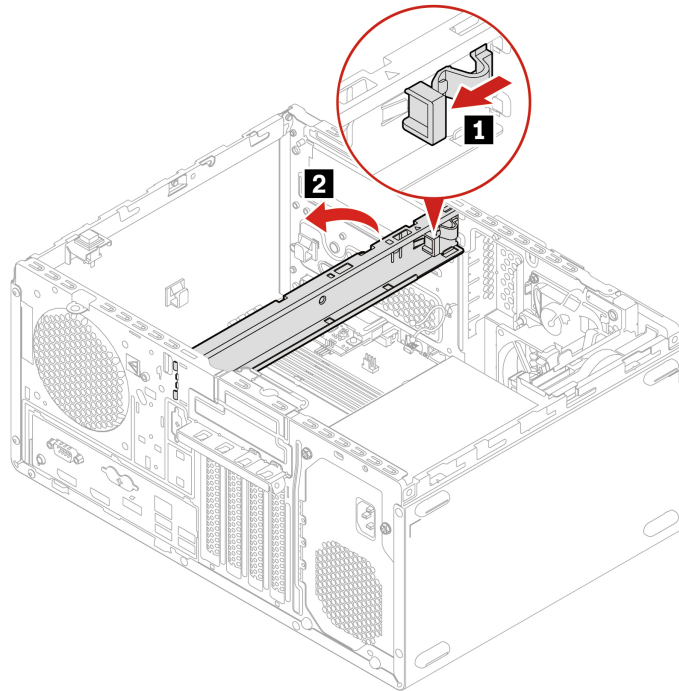
Prerequisite

Before you start, read Appendix B “Important safety information” on page 101 and print the following instructions.

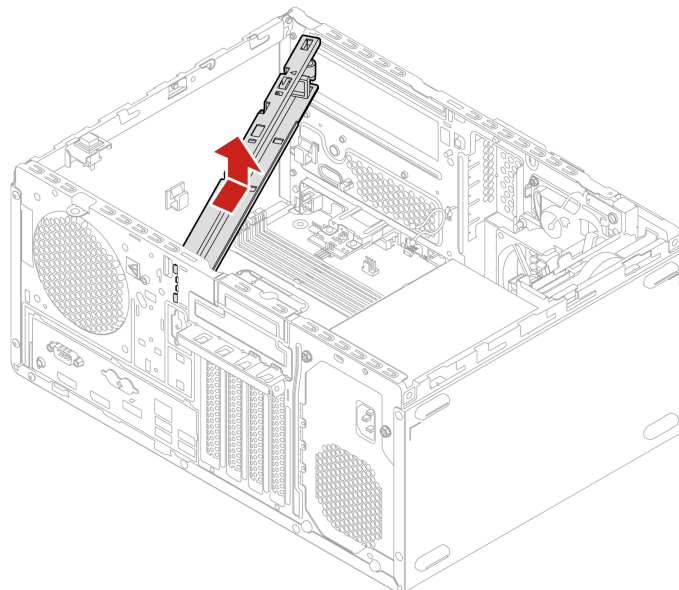
Replacement procedure

1. Remove the computer cover. See “Computer cover” on page 38.
2. Remove the slim optical drive. See “Slim optical drive” on page 39.
3. Remove the front bezel. See “Front bezel” on page 43.
4. Remove the plastic holder from the chassis beam. See “Graphics card” on page 68.
5. Remove the slim-optical-drive cage. See “Slim-optical-drive cage” on page 53.
6. Remove the Type-2 heat-sink-and-fan assembly. See “Heat-sink-and-fan assembly” on page 82.

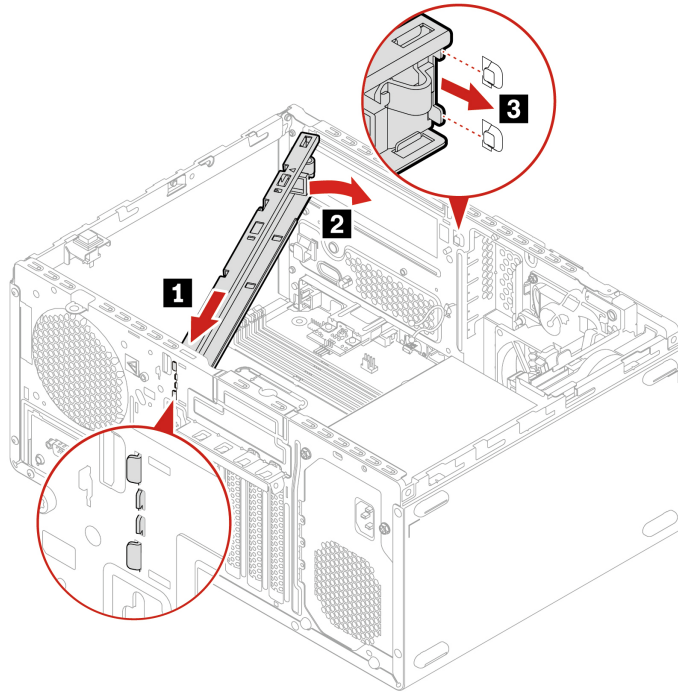
7. Pull the plastic latch toward the rear end of the chassis, and then push the chassis beam toward the top of the chassis.



8. Remove the chassis beam from the chassis.



9. Install the chassis beam.



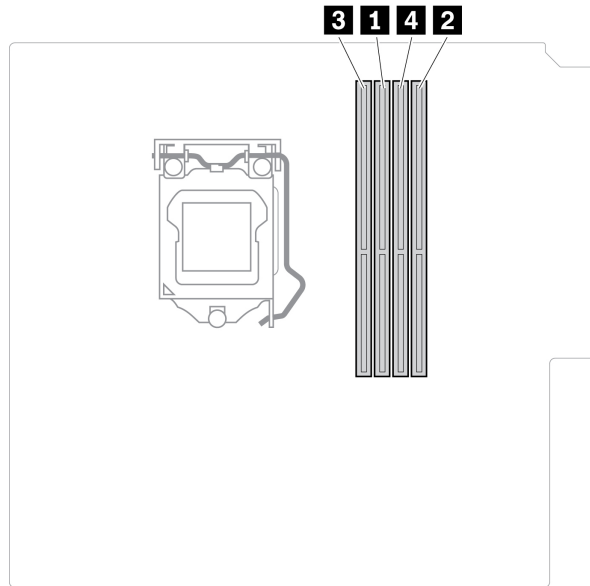
10. Reinstall all the removed parts. Then, reconnect the power cord and all disconnected cables to the computer.

Memory module

Prerequisite

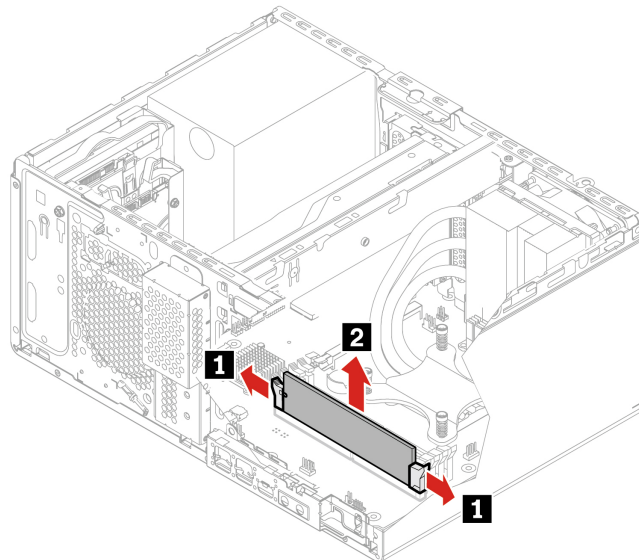
Before you start, read Appendix B “Important safety information” on page 101 and print the following instructions.

Ensure that you follow the installation order for memory modules shown in the following illustration.

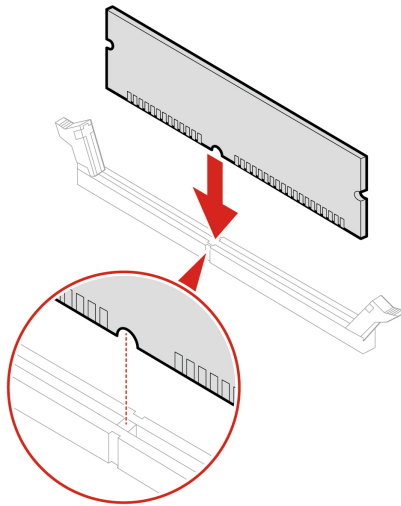


Replacement procedure

1. Remove the computer cover. See “Computer cover” on page 38.
2. Remove the slim optical drive. See “Slim optical drive” on page 39.
3. Remove the front bezel. See “Front bezel” on page 43.
4. Remove the slim-optical-drive cage. See “Slim-optical-drive cage” on page 53.
5. Remove the memory module.



6. Install a new memory module.



Note: During the installation, ensure that you align the memory module to the slot and press down on both ends until the latches are fully engaged with a click.

7. Reinstall all the removed parts. Then, reconnect the power cord and all disconnected cables to the computer.

Coin-cell battery

Prerequisite

Before you start, read Appendix B “Important safety information” on page 101 and print the following instructions.

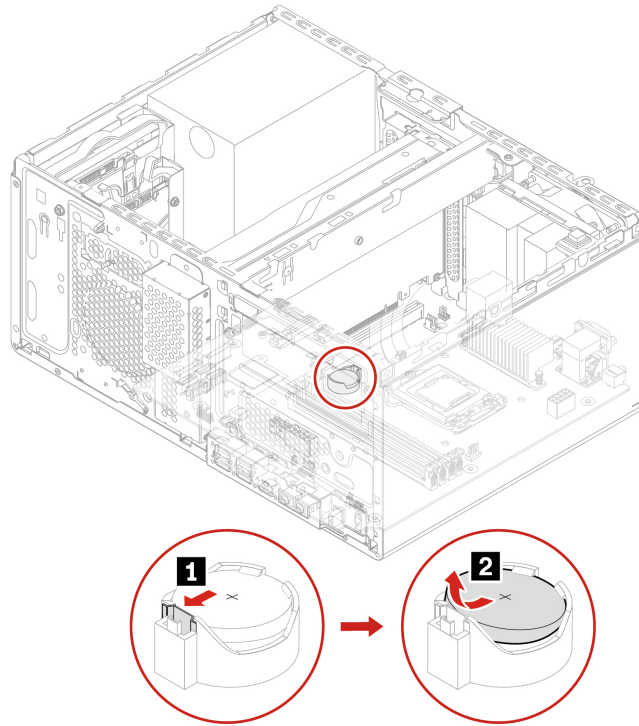
Your computer has a special type of memory that maintains the date, time, and settings for built-in features, such as parallel connector assignments (configurations). A coin-cell battery keeps this information active when you turn off the computer.

The coin-cell battery normally requires no charging or maintenance throughout its life; however, no coin-cell battery lasts forever. If the coin-cell battery fails, the date and time information is lost. An error message is displayed when you turn on the computer.

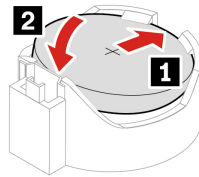
Replacement procedure

1. Remove the computer cover. See “Computer cover” on page 38.
2. Remove the slim optical drive. See “Slim optical drive” on page 39.
3. Remove the front bezel. See “Front bezel” on page 43.
4. Remove the slim-optical-drive cage. See “Slim-optical-drive cage” on page 53.

5. Remove the coin-cell battery.



6. Install the coin-cell battery.



7. Reinstall all removed parts. Then, reconnect all disconnected cables to the computer and reconnect the power cord to the electrical outlet.
8. Reset the system date and time in the UEFI BIOS menu.

To dispose of the coin-cell battery, refer to the “Lithium coin-cell battery notice” in the *Safety and Warranty Guide*.

Power supply assembly

Prerequisite

Before you start, read Appendix B “Important safety information” on page 101 and print the following instructions.



Before you open the computer cover, turn off the computer and wait several minutes until the computer is cool.

Although there are no moving parts in the computer after the power cord has been disconnected, the following warnings are required for your safety.



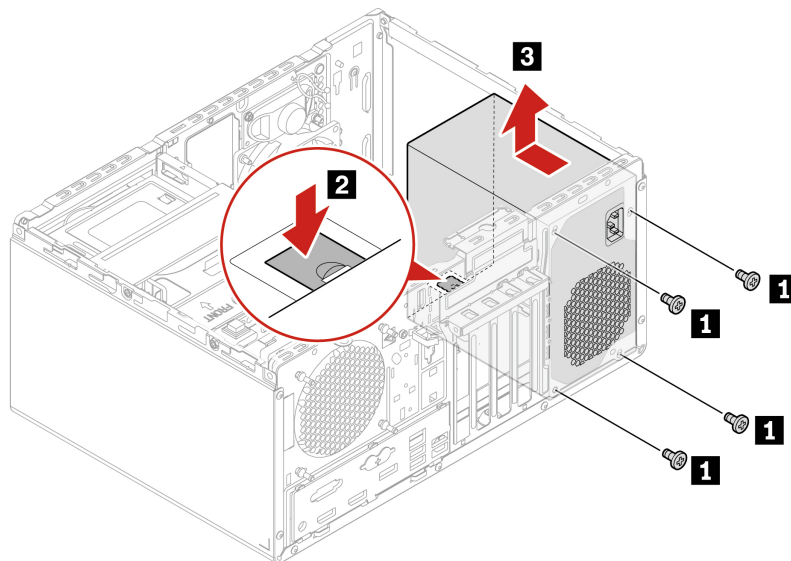
Keep fingers and other parts of your body away from hazardous, moving parts. If you suffer an injury, seek medical care immediately. Never remove the cover on a power supply or any part that has the following label attached.



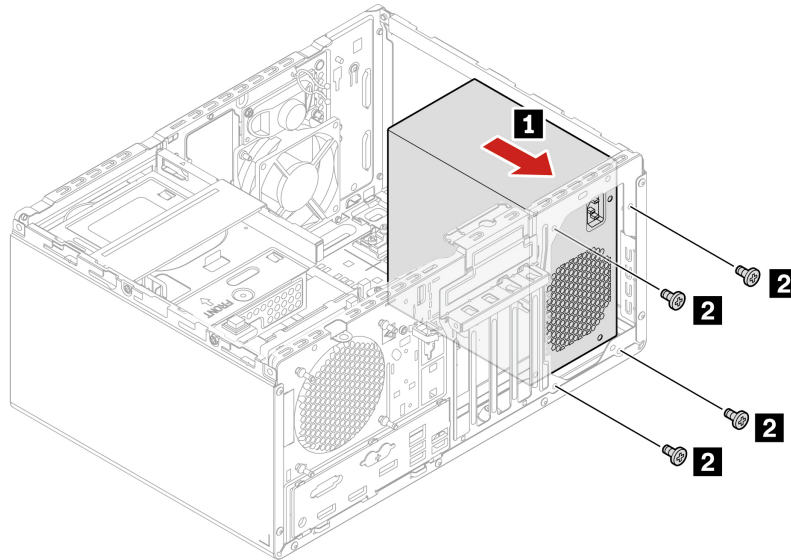
Hazardous voltage, current, and energy levels are present inside any component that has this label attached. There are no serviceable parts inside these components. If you suspect a problem with one of these parts, contact a service technician.

Replacement procedure

1. Remove the computer cover. See “Computer cover” on page 38.
2. Remove the slim optical drive. See “Slim optical drive” on page 39.
3. Remove the front bezel. See “Front bezel” on page 43.
4. Remove the primary storage drive. See “Primary storage drives” on page 44.
5. Remove the 3.5-inch primary storage drive cage. See “3.5-inch primary storage drive cage” on page 52.
6. Disconnect the power supply assembly cables from the system board.
7. Remove the power supply assembly.



8. Install a new power supply assembly.



9. Connect the power supply assembly cables to the system board.
10. Reinstall all the removed parts. Then, reconnect the power cord and all disconnected cables to the computer.

E-lock

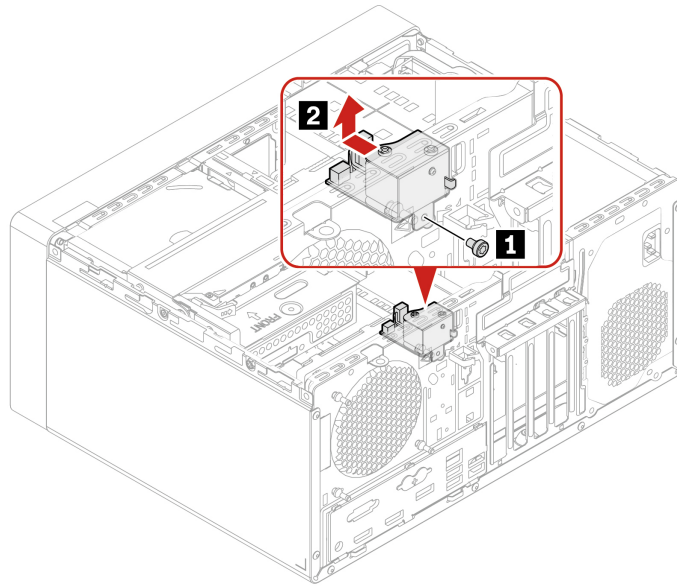
Prerequisite

Before you start, read Appendix B “Important safety information” on page 101 and print the following instructions.

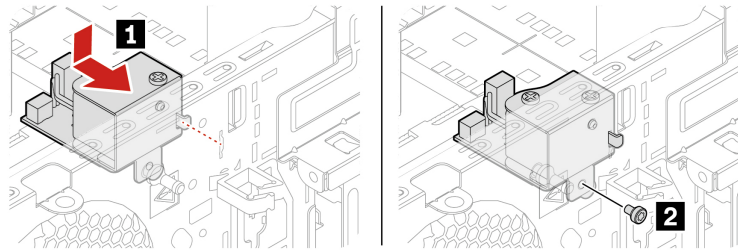
Replacement procedure

1. Remove the computer cover. See “Computer cover” on page 38.
2. Disconnect the E-lock cable from the system board.

3. Remove the E-lock.



4. Install the E-lock.



5. Connect the E-lock cable to the system board.

6. Reinstall all the removed parts. Then, reconnect the power cord and all disconnected cables to the computer.

Chapter 9. Help and support

Self-help resources

Use the following self-help resources to learn more about the computer and troubleshoot problems.

Resources	How to access?
Product documentation: <ul style="list-style-type: none">• <i>Safety and Warranty Guide</i>• <i>Setup Guide</i>• <i>This User Guide</i>• <i>Regulatory Notice</i>	Go to https://pcsupport.lenovo.com . Then, follow the on-screen instructions to filter out the documentation you want.
Lenovo Support Web site with the latest support information of the following: <ul style="list-style-type: none">• Drivers and software• Diagnostic solutions• Product and service warranty• Product and parts details• Knowledge base and frequently asked questions	https://pcsupport.lenovo.com
Ubuntu help information	https://help.ubuntu.com/its/ubuntu-help/index.html

Call Lenovo

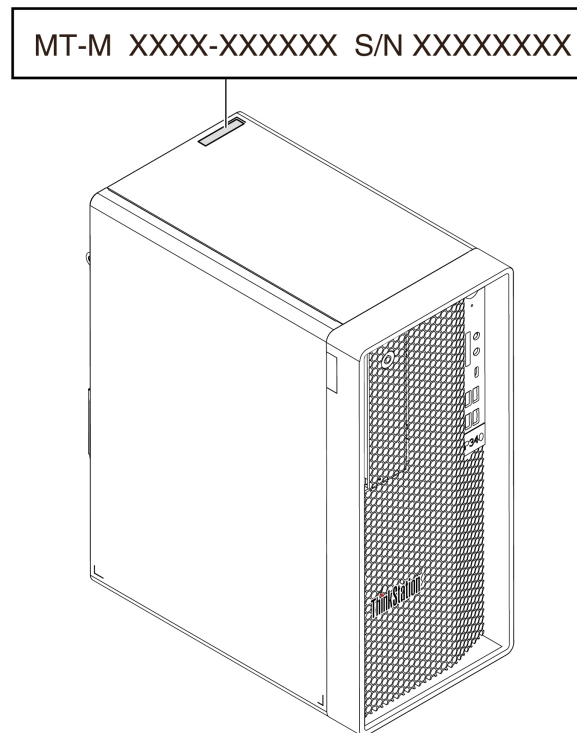
If you have tried to correct the problem yourself and still need help, you can call Lenovo Customer Support Center.

Before you contact Lenovo

Prepare the following before you contact Lenovo:

1. Record the problem symptoms and details:
 - What is the problem? Is it continuous or intermittent?
 - Any error message or error code?
 - What operating system are you using? Which version?
 - Which software applications were running at the time of the problem?
 - Can the problem be reproduced? If so, how?
2. Record the system information:
 - Product name
 - Machine type and serial number

The following illustration shows where to find the machine type and serial number of your computer.



Lenovo Customer Support Center

During the warranty period, you can call Lenovo Customer Support Center for help.

Telephone numbers

For a list of the Lenovo Support phone numbers for your country or region, go to:

<https://pcsupport.lenovo.com/supportphonenumberlist>

Note: Phone numbers are subject to change without notice. If the number for your country or region is not provided, contact your Lenovo reseller or Lenovo marketing representative.

Services available during the warranty period

- Problem determination - Trained personnel are available to assist you with determining if you have a hardware problem and deciding what action is necessary to fix the problem.
- Lenovo hardware repair - If the problem is determined to be caused by Lenovo hardware under warranty, trained service personnel are available to provide the applicable level of service.
- Engineering change management - Occasionally, there might be changes that are required after a product has been sold. Lenovo or your reseller, if authorized by Lenovo, will make selected Engineering Changes (ECs) that apply to your hardware available.

Services not covered

- Replacement or use of parts not manufactured for or by Lenovo or nonwarranted parts
- Identification of software problem sources
- Configuration of UEFI BIOS as part of an installation or upgrade
- Changes, modifications, or upgrades to device drivers
- Installation and maintenance of network operating systems (NOS)
- Installation and maintenance of programs

For the terms and conditions of the Lenovo Limited Warranty that apply to your Lenovo hardware product, see “Warranty information” in the *Safety and Warranty Guide* that comes with your computer.

Purchase additional services

During and after the warranty period, you can purchase additional services from Lenovo at:

<https://www.lenovo.com/services>

Service availability and service name might vary by country or region.

Appendix A. System memory speed

The Intel® Xeon® or Intel Core™ microprocessor families compatible with this ThinkStation computer feature an integrated memory controller. The memory controller provides the microprocessor with direct access to the system memory. Therefore, the system memory speed will be determined by the memory module type, frequency, size (capacity), the number of memory modules installed, and the microprocessor model.

Notes:

- The actual system memory speed of the memory modules varies depending on the microprocessor model. For example, your computer comes with 2933 MT/s memory modules, but the microprocessor only supports up to 2666 MT/s memory modules. Then the system memory speed will be no faster than 2666 MT/s.
- The microprocessor models supported in your computer might vary. For a list of supported microprocessor models, contact the Lenovo Customer Support Center.
- The ECC memory modules are not supported on the computer models with Intel Core i3, i5, or i7 microprocessors.

Refer to the following information about the system memory speed:

- **Memory module types:**
 - DDR4 ECC UDIMMs
 - DDR4 non-ECC UDIMMs
- **Memory module operating voltage:** 1.2 V
- **Memory module frequency:** 2933 MT/s

Appendix B. Important safety information

Safety notices

This information can help you safely use your computer. Follow and retain all information included with your computer. The information in this document does not alter the terms of your purchase agreement or the Limited Warranty. For more information, see "Warranty Information" in the *Safety and Warranty Guide* that comes with your computer.

Customer safety is important. Our products are developed to be safe and effective. However, personal computers are electronic devices. Power cords, power adapters, and other features can create potential safety risks that can result in physical injury or property damage, especially if misused. To reduce these risks, follow the instructions included with your product, observe all warnings on the product and in the operating instructions, and review the information included in this document carefully. By carefully following the information contained in this document and provided with your product, you can help protect yourself from hazards and create a safer computer work environment. If the computer is used in a manner not specified by the manufacturer, the protection provided by the computer may be impaired.

Note: This information includes references to power adapters and batteries. In addition, some products (such as speakers and monitors) ship with external power adapters. If you have such a product, this information applies to your product. In addition, computer products contain a coin-sized internal battery that provides power to the system clock even when the computer is unplugged, so the battery safety information applies to all computer products.

Conditions that require immediate action

Products can become damaged due to misuse or neglect. Some product damage is serious enough that the product should not be used again until it has been inspected and, if necessary, repaired by an authorized servicer.

As with any electronic device, pay close attention to the product when it is turned on.

On very rare occasions, you might notice an odor or see a puff of smoke or sparks vent from your product. You might also hear sounds like popping, cracking, or hissing. These might merely mean that an internal electronic component has failed in a safe and controlled manner. Or, they might indicate a potential safety issue. Do not take risks or attempt to diagnose the situation yourself. Contact the Customer Support Center for further guidance. For a list of Service and Support phone numbers, see the following Web site:

<https://pcsupport.lenovo.com/supportphonenumberlist>

Frequently inspect your computer and its components for damage, wear, or signs of danger. If you have any question about the condition of a component, do not use the product. Contact the Customer Support Center or the product manufacturer for instructions on how to inspect the product and have it repaired, if necessary.

In the unlikely event that you notice any of the following conditions, or if you have any safety concerns with your product, stop using the product and unplug it from the power source and telecommunication lines until you can speak to the Customer Support Center for further guidance.

- Power cords, plugs, power adapters, extension cords, surge protectors, or power supplies that are cracked, broken, or damaged.

- Signs of overheating, smoke, sparks, or fire.
- Damage to a battery (such as cracks, dents, or creases), discharge from a battery, or a buildup of foreign substances on the battery.
- A cracking, hissing, or popping sound, or strong odor that comes from the product.
- Signs that liquid has been spilled or an object has fallen onto the computer product, the power cord, or power adapter.
- The computer product, power cord, or power adapter has been exposed to water.
- The product has been dropped or damaged in any way.
- The product does not operate normally when you follow the operating instructions.

Note: If you notice these conditions with a product (such as an extension cord) that is not manufactured for or by Lenovo, stop using that product until you can contact the product manufacturer for further instructions, or until you get a suitable replacement.

Service and upgrades

Do not attempt to service a product yourself unless instructed to do so by the Customer Support Center or your documentation. Only use a Service Provider who is approved to repair your particular product.

Note: Some computer parts can be upgraded or replaced by the customer. Upgrades typically are referred to as options. Replacement parts approved for customer installation are referred to as Customer Replaceable Units, or CRUs. Lenovo provides documentation with instructions when it is appropriate for customers to install options or replace CRUs. You must closely follow all instructions when installing or replacing parts. The Off state of a power indicator does not necessarily mean that voltage levels inside a product are zero. Before you remove the covers from a product equipped with a power cord, always ensure that the power is turned off and that the product is unplugged from any power source. If you have any questions or concerns, contact the Customer Support Center.

Although there are no moving parts in the computer after the power cord has been disconnected, the following warnings are required for your safety.



Moving Parts:

Keep fingers and other parts of your body away from hazardous, moving parts. If you suffer an injury, seek medical care immediately.



Hot Surface:

Avoid contact with hot components inside the computer. During operation, some components become hot enough to burn the skin. Before you open the computer cover, turn off the computer, disconnect power, and wait approximately 10 minutes for the components to cool.



After replacing a CRU, reinstall all protective covers, including the computer cover, before connecting power and operating the computer. This action is important to help prevent unexpected electrical shock and help ensure the containment of an unexpected fire that could happen under extremely rare conditions.



Sharp Edges:

When replacing CRUs, be cautious of sharp edges or corners that might cause injury. If you suffer an injury, seek medical care immediately.

Power cords and power adapters



Use only the power cords and power adapters supplied by the product manufacturer.

The power cords shall be safety approved. For Germany, it shall be H03VV-F, 3G, 0.75 mm², or better. For other countries, the suitable types shall be used accordingly.

Never wrap a power cord around a power adapter or other object. Doing so can stress the cord in ways that can cause the cord to fray, crack, or crimp. This can present a safety hazard.

Always route power cords so that they will not be walked on, tripped over, or pinched by objects.

Protect power cords and power adapters from liquids. For instance, do not leave your power cord or power adapter near sinks, tubs, toilets, or on floors that are cleaned with liquid cleansers. Liquids can cause a short circuit, particularly if the power cord or power adapter has been stressed by misuse. Liquids also can cause gradual corrosion of power cord terminals and/or the connector terminals on a power adapter, which can eventually result in overheating.

Ensure that all power cord connectors are securely and completely plugged into receptacles.

Do not use any power adapter that shows corrosion at the ac input pins or shows signs of overheating (such as deformed plastic) at the ac input pins or anywhere on the power adapter.

Do not use any power cords where the electrical contacts on either end show signs of corrosion or overheating or where the power cord appears to have been damaged in any way.

To prevent possible overheating, do not cover the power adapter with clothing or other objects when the power adapter is plugged into an electrical outlet.

Power cord notice

Note: The power cord and adapter provided with this product are intended to be used with this product only. Do not use them with any other products.

For your safety, Lenovo provides a power cord with a grounded attachment plug to use with this product. To avoid electrical shock, always use the power cord and plug with a properly grounded outlet.

Power cords provided by Lenovo in the United States and Canada are listed by Underwriter's Laboratories (UL) and certified by the Canadian Standards Association (CSA).

For units intended to be operated at 115 volts: Use a UL-listed and CSA-certified cord set consisting of a minimum 18 AWG, Type SVT or SJT, three-conductor cord, a maximum of 15 feet in length and a parallel blade, grounding-type attachment plug rated 10 amperes, 125 volts.

For units intended to be operated at 230 volts (U.S. use): Use a UL-listed and CSA-certified cord set consisting of a minimum 18 AWG, Type SVT or SJT, three-conductor cord, a maximum of 15 feet in length and a tandem blade, grounding-type attachment plug rated 10 amperes, 250 volts.

For units intended to be operated at 230 volts (outside the U.S.): Use a cord set with a grounding-type attachment plug. The cord set should have the appropriate safety approvals for the country in which the equipment will be installed.

Power cords provided by Lenovo for a specific country or region are usually available only in that country or region.

For units intended to be operated in Germany: The power cords must be safety approved. For Germany, it must be H05VV-F, 3G, 0.75 mm², or better. For other countries, the suitable types must be used accordingly.

For units intended to be operated in Denmark: Use a cord set with a grounding-type attachment plug. The cord set should have the appropriate safety approvals for the country in which the equipment will be installed.

For units intended to be operated in Norway, Sweden, Finland: Use a cord set with a two-prong attachment plug. The cord set should have the appropriate safety approvals for the country in which the equipment will be installed.

If you intend to use your PC in a country or region that is different from your ordering location, please purchase an additional Lenovo power cord for the country or region where the PC will be used. Refer to the power cord guide provided in our Web site, <https://pcsupport.lenovo.com>, for details. Some countries and regions support multiple voltages, so make sure you order the appropriate power cord for the intended voltage.

Extension cords and related devices

Ensure that extension cords, surge protectors, uninterruptible power supplies, and power strips that you use are rated to handle the electrical requirements of the product. Never overload these devices. If power strips are used, the load should not exceed the power strip input rating. Consult an electrician for more information if you have questions about power loads, power requirements, and input ratings.

Plugs and outlets



If a receptacle (power outlet) that you intend to use with your computer equipment appears to be damaged or corroded, do not use the outlet until it is replaced by a qualified electrician.

Do not bend or modify the plug. If the plug is damaged, contact the manufacturer to obtain a replacement.

Do not share an electrical outlet with other home or commercial appliances that draw large amounts of electricity; otherwise, unstable voltage might damage your computer, data, or attached devices.

Some products are equipped with a three-pronged plug. This plug fits only into a grounded electrical outlet. This is a safety feature. Do not defeat this safety feature by trying to insert it into a non-grounded outlet. If you cannot insert the plug into the outlet, contact an electrician for an approved outlet adapter or to replace the outlet with one that enables this safety feature. Never overload an electrical outlet. The overall system load should not exceed 80 percent of the branch circuit rating. Consult an electrician for more information if you have questions about power loads and branch circuit ratings.

Be sure that the power outlet you are using is properly wired, easily accessible, and located close to the equipment. Do not fully extend power cords in a way that will stress the cords.

Be sure that the power outlet provides the correct voltage and current for the product you are installing.

Carefully connect and disconnect the equipment from the electrical outlet.

Power supply statement

Never remove the cover on a power supply or any part that has the following label attached.



Hazardous voltage, current, and energy levels are present inside any component that has this label attached. There are no serviceable parts inside these components. If you suspect a problem with one of these parts, contact a service technician.

External devices

CAUTION:

Do not connect or disconnect any external device cables other than Universal Serial Bus (USB) and 1394 cables while the computer power is on; otherwise, you might damage your computer. To avoid possible damage to attached devices, wait at least five seconds after the computer is shut down to disconnect external devices.

Lithium coin-cell battery notice



Danger of explosion if battery is incorrectly replaced.

If the coin-cell battery is not a CRU, do not attempt to replace the coin-cell battery. Replacement of the battery must be done by a Lenovo-authorized repair facility or technician.

The Lenovo-authorized repair facilities or technicians recycle Lenovo batteries according to local laws and regulations.



When replacing the lithium coin-cell battery, use only the same type or equivalent type that is recommended by the manufacturer. The battery contains lithium and can explode if not properly used, handled, or disposed of. Swallowing the lithium coin-cell battery will cause choking or severe internal burns in just two hours and might even result in death.

Keep batteries away from children. If the lithium coin-cell battery is swallowed or placed inside any part of the body, seek medical care immediately.

Do not:

- Throw or immerse into water
- Heat to more than 100 °C (212°F)
- Repair or disassemble
- Leave in an extremely low air pressure environment
- Leave in an extremely high-temperature environment
- Crush, puncture, cut, or incinerate

Dispose of the battery as required by local ordinances or regulations.

The following statement applies to users in the state of California, U.S.A.

California Perchlorate Information:

Products containing manganese dioxide lithium coin-cell batteries may contain perchlorate.

Perchlorate Material - special handling may apply, see <https://www.dtsc.ca.gov/hazardouswaste/perchlorate/>.

Heat and product ventilation



Computers, power adapters, and many accessories can generate heat when turned on and when batteries are charging. Always follow these basic precautions:

- Do not leave your computer, power adapter, or accessories in contact with your lap or any part of your body for an extended period when the products are functioning or when the battery is charging. Your

computer, power adapter, and many accessories produce some heat during normal operation. Extended contact with the body could cause discomfort or, potentially, a skin burn.

- Do not charge the battery or operate your computer, power adapter, or accessories near flammable materials or in explosive environments.
- Ventilation slots, fans, and heat sinks are provided with the product for safety, comfort, and reliable operation. These features might inadvertently become blocked by placing the product on a bed, sofa, carpet, or other flexible surface. Never block, cover, or disable these features.

Inspect your desktop computer for dust accumulation at least once every three months. Before inspecting your computer, turn off the power and unplug the computer's power cord from the electrical outlet; then remove any dust from vents and perforations in the bezel. If you notice external dust accumulation, then examine and remove dust from the inside of the computer including heat sink inlet fins, power supply vents, and fans. Always turn off and unplug the computer before opening the cover. If possible, avoid operating your computer within two feet of high-traffic areas. If you must operate your computer in or near a high-traffic area, inspect and, if necessary, clean your computer more frequently.

For your safety and to maintain optimum computer performance, always follow these basic precautions with your desktop computer:

- Keep the cover closed whenever the computer is plugged in.
- Regularly inspect the outside of the computer for dust accumulation.
- Remove dust from vents and any perforations in the bezel. More frequent cleanings might be required for computers in dusty or high-traffic areas.
- Do not restrict or block any ventilation openings.
- Do not store or operate your computer inside furniture, as this might increase the risk of overheating.
- Airflow temperatures into the computer should not exceed 35°C (95°F).
- Do not install air filtration devices. They may interfere with proper cooling.

Electrical current safety information



Electric current from power, telephone, and communication cables is hazardous.

To avoid a shock hazard:

- **Do not use your computer during a lightning storm.**
- **Do not connect or disconnect any cables or perform installation, maintenance, or reconfiguration of this product during an electrical storm.**
- **Connect all power cords to a properly wired and grounded electrical outlet.**
- **Connect properly wired outlets to any equipment that will be attached to this product.**
- **Whenever possible, use one hand only to connect or disconnect signal cables.**
- **Never turn on any equipment when there is evidence of fire, water, or structural damage.**
- **Disconnect the attached power cords, battery, and all the cables before you open the device covers, unless instructed otherwise in the installation and configuration procedures.**
- **Do not use your computer until all internal parts enclosures are fastened into place. Never use the computer when internal parts and circuits are exposed.**

 **DANGER**

Connect and disconnect cables as described in the following procedures when installing, moving, or opening covers on this product or attached devices.

To connect:

1. Turn everything **OFF**.
2. First, attach all cables to devices.
3. Attach signal cables to connectors.
4. Attach power cords to outlets.
5. Turn devices **ON**.

To disconnect:

1. Turn everything **OFF**.
2. First, remove power cords from outlets.
3. Remove signal cables from connectors.
4. Remove all cables from devices.

The power cord must be disconnected from the wall outlet or receptacle before installing all other electrical cables connected to the computer.

The power cord may be reconnected to the wall outlet or receptacle only after all other electrical cables have been connected to the computer.

 **DANGER**

During electrical storms, do not perform any replacement and do not connect the telephone cable to or disconnect it from the telephone outlet on the wall.

Laser safety information

CAUTION:

When laser products (such as CD-ROMs, DVD drives, fiber optic devices, or transmitters) are installed, note the following:

- Do not remove the covers. Removing the covers of the laser product could result in exposure to hazardous laser radiation. There are no serviceable parts inside the device.
- Use of controls or adjustments or performance of procedures other than those specified herein might result in hazardous radiation exposure.

 **DANGER**

Some laser products contain an embedded Class 3B laser diode. Note the following:
Laser radiation when open. Do not stare into the beam, do not view directly with optical instruments, and avoid direct exposure to the beam.

Liquid crystal display (LCD) notice



To avoid shock hazards:

- Do not remove the covers.
- Do not operate this product unless the stand is attached.
- Do not connect or disconnect this product during an electrical storm.
- The power cord plug must be connected to a properly wired and grounded power outlet.
- Any equipment to which this product will be attached must also be connected to properly wired and grounded power outlets.
- To isolate the monitor from the electrical supply, you must remove the plug from the power outlet. The power outlet should be easily accessible.

Handling:

- If your monitor weighs more than 18 kg (39.68 lb), we recommend that it be moved or lifted by two people.

Product disposal (TFT monitors):

- The fluorescent lamp in the liquid crystal display contains mercury; dispose according to local, state, or federal laws.

Battery warnings:

- Risk of explosion if battery is replaced by an incorrect type.
- Dispose of used batteries according to the instructions.

Use earphones, headphones, or a headset

- If your computer has both a headphone connector and an audio line-out connector, always use the headphone connector for earphones, headphones, or a headset. However, the headphone connector does not support the microphone of the headset.
- If your computer has both a headset connector and an audio line-out connector, always use the headset connector for earphones, headphones, or a headset.



Excessive sound pressure from earphones and headphones can cause hearing loss. Adjustment of the equalizer to maximum increases the earphone and headphone output voltage and the sound pressure level. Therefore, to protect your hearing, adjust the equalizer to an appropriate level.

Excessive use of headphones or earphones for a long period of time at high volume can be dangerous if the output of the headphone or earphone connectors do not comply with specifications of EN 50332-2. The headphone output connector of your computer complies with EN 50332-2 Sub clause 7. This specification limits the computer's maximum wide band true RMS output voltage to 150 mV. To help protect against hearing loss, ensure that the headphones or earphones you use also comply with EN 50332-2 (Clause 7

Limits) or a wide band characteristic voltage of 75 mV. Using headphones that do not comply with EN 50332-2 can be dangerous due to excessive sound pressure levels.

If your Lenovo computer came with headphones or earphones in the packaging, as a set, the combination of the headphones or earphones and the computer already complies with the specifications of EN 50332-1. If different headphones or earphones are used, ensure that they comply with EN 50332-1 (Clause 6.5 Limitation Values). Using headphones that do not comply with EN 50332-1 can be dangerous due to excessive sound pressure levels.

Choking hazard notice



CHOKING HAZARD – Product contains small parts.

Keep away from children under three years.

Plastic bag notice



Plastic bags can be dangerous. Keep plastic bags away from babies and children to avoid danger of suffocation.

Glass parts notice

CAUTION:

Some parts of your product may be made of glass. This glass could break if the product is dropped on a hard surface or receives a substantial impact. If glass breaks, do not touch or attempt to remove it. Stop using your product until the glass is replaced by trained service personnel.

Computer placement notices

Inappropriate computer placement might cause harm to children.

- Place the computer on a sturdy piece of low-rise furniture or furniture that has been anchored.
- Do not place the computer at the edge of the furniture.
- Keep the computer cables out of the reach of children.
- Some items, such as toys, might attract children. Keep such items away from the computer.

Supervise children in rooms where the above safety instructions cannot be fully implemented.

Hazardous energy statement



Disconnect all power cords from electrical outlets before removing the computer cover or any part that has the above label attached.

DO NOT disassemble components that have the above label attached. There are no serviceable parts inside these components.

Your product is designed for safe use. However, hazardous voltage, current, and energy levels are present inside any component that has this label attached. Disassembling of these components might cause fire or might even result in death. If you suspect a problem with one of these parts, contact a service technician.

CAUTION:



Bright Light, possible skin or eye damage. Disconnect power before servicing.

CAUTION:



Infrared Light, possible skin or eye damage. Disconnect power before servicing.

Eye comfort

The property of the display in combination with following notes result in reduced eye fatigue and increased comfort.

For tips on how to minimize visual fatigue, please go to <https://www.lenovo.com/us/en/safecomp/> to visit “Minimizing Visual Fatigue”.

Tip-over hazard prevention notice

The computer may cause harm to children if it is not located in an appropriate place. Follow the tips below to protect children from harm caused by the computer tipping over:

- Place the computers or monitors on sturdy furniture with a low base or furniture that has been anchored. Push the computers or monitors as far from the edge of the furniture as possible.
- Keep remote controls, toys, and other items that might attract children away from the computers or monitors
- Keep the computer or monitor cables out the reach of the children.
- Supervise children in rooms where these safety tips have not been followed.

CAUTION:

Some parts of your product may be made of glass. This glass could break if the product is dropped on a hard surface or receives a substantial impact. If glass breaks, do not touch it or attempt to remove it. Stop using your product until the glass is replaced by trained service personnel.

Static electricity prevention

Static electricity, although harmless to you, can seriously damage computer components and options. Improper handling of static-sensitive parts can damage the part. When you unpack an option or CRU, do not open the static-protective packaging containing the part until the instructions direct you to install it.

When you handle options or CRUs, or perform any work inside the computer, take the following precautions to avoid static-electricity damage:

- Limit your movement. Movement can cause static electricity to build up around you.
- Always handle components carefully. Handle adapters, memory modules, and other circuit boards by the edges. Never touch exposed circuitry.
- Prevent others from touching components.
- When you install a static-sensitive option or CRU, touch the static-protective packaging containing the part to a metal expansion-slot cover or other unpainted metal surface on the computer for at least two seconds. This reduces static electricity in the packaging and your body.
- When possible, remove the static-sensitive part from the static-protective packaging and install the part without setting it down. When this is not possible, place the static-protective packaging on a smooth, level surface and place the part on it.
- Do not place the part on the computer cover or other metal surface.

Operating environment

Maximum altitude (without pressurization)

- Operating: From -15.2 m (-50 ft) to 3048 m (10 000 ft)
- Storage: From -15.2 m (-50 ft) to 10 668 m (35 000 ft)

Temperature

- Operating: From 10°C (50°F) to 35°C (95°F)
- Storage without package: From -10°C (14°F) to 60°C (140°F)

Note: If your computer is stored or transported in temperatures less than 10°C (50°F), allow the computer to rise slowly to an optimal operating temperature before use. This process might take up to two hours. Using the computer in a lower operating temperature might result in irreparable damage to your computer.

Relative humidity

- Operating: 10%-80% (non-condensing)
- Storage: 10%-90% (non-condensing)

Cleaning and maintenance

With appropriate care and maintenance, your computer will serve you reliably. The following topics offer information to help you keep your computer working with best performance.

Basic maintenance tips

Here are some basic points about keeping your computer functioning properly:

- Keep the computer in a clean, dry environment. Ensure that the computer rests on a flat, steady surface.
- Do not cover any of air vents. These air vents provide airflow to keep the computer from overheating.

- Keep electrical appliances such as an electric fan, radio, high-powered speakers, air conditioner, and microwave oven away from your computer because the strong magnetic fields generated by these appliances can damage the monitor and data on the storage drive.
- Keep food and drinks away from all parts of the computer. Food particles and spills might make the keyboard and mouse stick and unusable.
- Do not get the power switches or other controls wet. Moisture can damage these parts and cause an electrical hazard.
- Always disconnect a power cord by grasping the plug instead of the cord.
- Keep the computer software, device drivers, and operating system up-to-date.
- Empty your recycle bin on a regular basis.
- Clean out your Inbox, Sent Items, and Deleted Items folders in your e-mail application on a regular basis.
- Clean up files and free up storage drive space and memory space occasionally to prevent performance problems.
- Keep a log book. Entries might include major software or hardware changes, device-driver updates, intermittent problems and what you did to resolve them, and other issues you might have experienced. The cause of a problem might be change in hardware, change in software, or any other actions that might have taken place. A log book can help you or a Lenovo technician determine the cause of a problem.
- Back up your data on the storage drive regularly. You can restore the storage drive from a backup.
- Get the most up-to-date operating system update patches, software programs, and device drivers.

Maintenance tips about moving the computer

Before moving the computer, take the following precautions:

1. Back up your data on the storage drive.
2. Remove any media from the drives and turn off all connected devices and the computer. Then, disconnect all power cords from electrical outlets and disconnect all cables that are connected to the computer.
3. If you saved the original shipping cartons and packing materials, use them to pack the units. If you are using different cartons, cushion the units to avoid damage.

When you move the computer to another country or region, you must take local electrical standards into consideration. If the local electrical outlet style is different from the type you are currently using, contact the Lenovo Customer Support Center to purchase either an electrical plug adapter or a new power cord.

Clean your computer

CAUTION:

Remove any media from the drives and turn off all connected devices and the computer. Then, disconnect all power cords from electrical outlets and disconnect all cables that are connected to the computer.

It is a good practice to clean your computer periodically to protect the surfaces and ensure trouble-free operation.

Clean the computer surface: Wipe it with a lint-free cloth dampened in mild soap and water. Avoid applying liquids directly to the surface.

Clean the keyboard: Wipe the keys one by one with a lint-free cloth dampened in mild soap and water. If you wipe several keys at a time, the cloth might hook onto an adjacent key and possibly damage it. Avoid spraying cleaner directly onto the keyboard. To remove any crumbs or dust from beneath the keys, you can use a camera blower with a brush or use cool air from a hair dryer.

Clean the computer screen: Scratches, oil, dust, chemicals, and ultraviolet light can affect the performance of your computer screen. Use a dry, soft lint-free cloth to wipe the screen gently. If you see a scratchlike mark on your screen, it might be a stain. Wipe or dust the stain gently with a soft, dry cloth. If the stain remains, moisten a soft, lint-free cloth with water or eyeglass cleaner, but do not apply liquids directly to your computer screen. Ensure that the computer screen is dry before closing it.

Appendix C. Accessibility and ergonomic information

This chapter provides information about accessibility and ergonomics.

Accessibility information

Lenovo is committed to providing users who have hearing, vision, and mobility limitations with greater access to information and technology. This section provides information about the ways these users can get the most out of their computer experience. You also can get the most up-to-date accessibility information from the following Web site:

<https://www.lenovo.com/accessibility>

Universal Access

Universal Access on the Ubuntu operating system enables you to configure your computers to suit your physical and cognitive needs.

To access the **Universal Access** menu:

1. Open the system menu from the top-right corner and click **Settings → Universal Access**.
2. Choose the appropriate tool by following the on-screen instructions.

Screen resolution

You can make the text and images on your screen easier to read by adjusting the screen resolution of your computer.

To adjust the screen resolution:

1. Go to **Settings → Devices → Displays**.
2. Follow the on-screen instructions.

Note: Setting a resolution too low might prevent some items from fitting on the screen.

Industry-standard connectors

Your computer provides industry-standard connectors that enable you to connect assistive devices.

Documentation in accessible formats

Lenovo provides electronic documentation in accessible formats, such as properly tagged PDF files or HyperText Markup Language (HTML) files. Lenovo electronic documentation is developed to ensure that visually impaired users can read the documentation through a screen reader. Each image in the documentation also includes adequate alternative text so that visually impaired users can understand the image when they use a screen reader.

Ergonomic information

Good ergonomic practice is important to get the most from your personal computer and to avoid discomfort. Arrange your workplace and the equipment you use to suit your individual needs and the kind of work that you perform. In addition, use healthy work habits to maximize your performance and comfort when using your computer.

Working in the virtual office might mean adapting to frequent changes in your environment. Adapting to the surrounding light sources, active seating, and the placement of your computer hardware, can help you improve your performance and achieve greater comfort.

This example shows someone in a conventional setting. Even when not in such a setting, you can follow many of these tips. Develop good habits, and they will serve you well.



General posture: Make minor modifications in your working posture to deter the onset of discomfort caused by long periods of working in the same position. Frequent short breaks from your work also help to prevent minor discomfort associated with your working posture.

Display: Position the display to maintain a comfortable viewing distance of 510 mm to 760 mm (20 inches to 30 inches). Avoid glare or reflections on the display from overhead lighting or outside sources of light. Keep the display screen clean and set the brightness to levels that enable you to see the screen clearly. Press the brightness control keys to adjust display brightness.

Head position: Keep your head and neck in a comfortable and neutral (vertical, or upright) position.

Chair: Use a chair that gives you good back support and seat height adjustment. Use chair adjustments to best suit your comfort posture.

Arm and hand position: If available, use chair arm rests or an area on your working surface to provide weight support for your arms. Keep your forearms, wrists, and hands in a relaxed and neutral (horizontal) position. Type with a soft touch without pounding the keys.

Leg position: Keep your thighs parallel to the floor and your feet flat on the floor or on a footrest.

Appendix D. Supplemental information about the Ubuntu operating system

In limited countries or regions, Lenovo offers customers an option to order computers with the preinstalled Ubuntu® operating system.

If the Ubuntu operating system is available on your computer, read the following information before you use the computer. Ignore any information related to Windows-based programs, utilities, and Lenovo preinstalled applications in this documentation.

Access the Lenovo Limited Warranty

This product is covered by the terms of the Lenovo Limited Warranty (LLW), version L505-0010-02 08/2011. You can view the LLW in a number of languages from the following Web site. Read the Lenovo Limited Warranty at:

https://www.lenovo.com/warranty/llw_02

The LLW also is preinstalled on the computer. To access the LLW, go to the following directory:

```
/opt/lenovo
```

If you cannot view the LLW either from the Web site or from your computer, contact your local Lenovo office or reseller to obtain a printed version of the LLW.

Access the Ubuntu help system

The Ubuntu help system provides information about how to use the Ubuntu operating system. To access the help system from Home Screen, move your pointer to the Launch bar, and then click the **Help** icon. If you cannot find the **Help** icon from the Launch bar, click the **Search** icon on the bottom left, and type Help to search it.

To learn more about the Ubuntu operating system, go to:

<https://www.ubuntu.com>

Get support information

If you need help, service, technical assistance, or more information about the Ubuntu operating system or other applications, contact the provider of the Ubuntu operating system or the provider of the application. If you need the service and support for hardware components shipped with your computer, contact Lenovo. For more information about how to contact Lenovo, refer to the *User Guide* and *Safety and Warranty Guide*.

To access the latest *User Guide* and *Safety and Warranty Guide*, go to:

<https://pcsupport.lenovo.com>

Open source information

This “Device” includes software made publicly available by Lenovo, including software licensed under the General Public License and/or the Lesser General Public License (the “open source software”).

You may obtain a copy of the corresponding source code for any such open source software licensed under the General Public License and/or the Lesser General Public License (or any other license requiring us to make a written offer to provide corresponding source code to you) from Lenovo for a period of three years without charge except for the cost of media, shipping, and handling, upon written request to Lenovo. This offer is valid to anyone in receipt of this Device.

You may send your request in writing to the address below accompanied by a check or money order for \$15 to:

Lenovo Legal Department
Attn: Open Source Team / Source Code Requests
8001 Development Dr.
Morrisville, NC 27560

Please include the version of the OS and the version of the Linux Kernel pre-shipped on this Device as part of your request. Be sure to provide a return address.

The open source software is distributed in hope it will be useful, but WITHOUT ANY WARRANTY; without even the implied warranty of MERCHANTABILITY or FITNESS FOR A PARTICULAR PURPOSE. See for example the GNU General Public License and/or the Lesser General Public License for more information.

To view additional information regarding licenses, acknowledgments and required copyright notices for the open source software shipped on your Device, go to `/usr/share/doc/*/copyright`.

Appendix E. Compliance and TCO Certified information

This chapter provides regulatory, environmental, RoHS, and ENERGY STAR information about Lenovo products.

Radio frequency compliance statements

Computer models equipped with wireless communications comply with the radio frequency and safety standards of any country or region in which it has been approved for wireless use.

Besides this document, ensure that you read the *Regulatory Notice* for your country or region before using the wireless devices contained in your computer.

Locate wireless regulatory notices

For more information about the wireless regulatory notices, refer to the *Regulatory Notice* at: <https://pcsupport.lenovo.com>

European Union (EU) / United Kingdom (UK) – Radio Equipment Compliance



EU Contact: Lenovo (Slovakia), Landererova 12, 811 09 Bratislava, Slovakia



UK contact: Lenovo, Redwood, Crockford Lane, Basingstoke, RG24 8WQ, UK.

This product is in conformity with all the requirements and essential norms that apply to EU Council Radio Equipment Directive 2014/53/EU on the approximation of the laws of the Member States, as well as the UK Radio Equipment Regulations SI 2017 No. 1206, relating to radio equipment.

The full text of the system EU declaration of conformity is available at: <https://www.lenovo.com/us/en/compliance/eu-doc>

The full text of the system UK declaration of conformity is available at: <https://www.lenovo.com/us/en/compliance/uk-doc>

Lenovo cannot accept responsibility for any failure to satisfy the protection requirements resulting from a non-recommended modification of the product, including the installation of option cards from other manufacturers. This product has been tested and found to comply with the limits for Class B equipment according to European and UK compliance standards. The limits for Class B equipment were derived for typical residential environments to provide reasonable protection against interference with certified communication devices.

Brazil

Este equipamento não tem direito à proteção contra interferência prejudicial e não pode causar interferência em sistemas devidamente autorizados.

This equipment is not protected against harmful interference and may not cause interference with duly authorized systems.

Mexico

Advertencia: En Mexico la operación de este equipo está sujeta a las siguientes dos condiciones: (1) es posible que este equipo o dispositivo no cause interferencia perjudicial y (2) este equipo o dispositivo debe aceptar cualquier interferencia, incluyendo la que pueda causar su operación no deseada.

Singapore



Korea

무선설비 전파 혼신 (사용주파수 2400 ~ 2483.5 , 5725 ~ 5825 무선제품해당)

해당 무선설비가 전파혼신 가능성이 있으므로 인명안전과 관련된 서비스는 할 수 없음

SAR 정보

본 장치는 전파 노출에 대한 가이드라인을 충족합니다.

본 장치는 무선 송수신기입니다. 본 장치는 국제 가이드라인으로 권장되는 전파 노출에 대한 제한을 초과하지 않도록 설계되었습니다. 장치 액세서리 및 최신 부품을 사용할 경우 SAR 값이 달라질 수 있습니다. SAR 값은 국가 보고 및 테스트 요구 사항과 네트워크 대역에 따라 다를 수 있습니다. 본 장치는 사람의 신체에서 20mm 이상의 거리에서 사용할 수 있습니다.

Environmental information of countries and regions

This section provides environmental, recycling, and RoHS information about Lenovo products.

Recycling and environmental information

Lenovo encourages owners of information technology (IT) equipment to responsibly recycle their equipment when it is no longer needed. Lenovo offers a variety of programs and services to assist equipment owners in recycling their IT products. For information about recycling Lenovo products, go to:

<https://www.lenovo.com/us/en/compliance/recycling>

The latest environmental information about our products is available at:

<https://www.lenovo.com/us/en/compliance/eco-declaration>

Important battery recycling and WEEE information

Take back and recycling information for WEEE and batteries/accumulators in the European Union and the United Kingdom



The crossed-out wheeled bin marking applies only to countries with WEEE and batteries waste regulations including the European Union (EU), and United Kingdom (UK).

Appliances and batteries/accumulators are labeled in accordance with local regulations concerning waste electrical and electronic equipment (WEEE) and waste batteries and waste accumulators. These regulations determine the framework for the return and recycling of used appliances and used batteries/accumulators as applicable within each geography. This label is applied to various products to indicate that the product is not to be thrown away, but rather put in the established collection systems for reclaiming these end of life products.

The label on the battery may also include a chemical symbol for the metal concerned in the battery (Pb for lead, Hg for mercury, and Cd for cadmium).

Users of electrical and electronic equipment (EEE) and users of batteries/accumulators with the crossed-out wheeled bin marking must not dispose of end of life products as unsorted municipal waste, but use the collection framework available to them for the return, recycle, and recovery of WEEE and waste batteries/accumulators and to minimize any potential effects of EEE and batteries on the environment and human health due to the presence of hazardous substances.

Lenovo electrical and electronic equipment (EEE) may contain parts and components, which at end-of-life might qualify as hazardous waste.

EEE and waste electrical and electronic equipment (WEEE) can be delivered free of charge to the place of sale or any distributor that sells electrical and electronic equipment of the same nature and function as the used EEE or WEEE.

Before placing electrical and electronic equipment (EEE) in the waste collection stream or in waste collection facilities, the end user of equipment containing batteries and/or accumulators must remove those batteries and accumulators for separate collection.

Dispose of lithium batteries and battery packs from Lenovo products:

A coin-cell type lithium battery might be installed inside your Lenovo product. You can find details about the battery in the product documentation. If the battery needs to be replaced, contact your place of purchase or contact Lenovo for service. If you need to dispose of a lithium battery, insulate it with vinyl tape, contact your place of purchase or a waste-disposal operator, and follow their instructions.

Your Lenovo device might contain a lithium-ion battery pack or a nickel metal hydride battery pack. You can find details on the battery pack in the product documentation. If you need to dispose of a battery pack, insulate it with vinyl tape, contact Lenovo sales, service, or your place of purchase, or a waste-disposal operator, and follow their instructions. You also can refer to the instructions provided in the user guide for your product.

For proper collection and treatment, go to:

<https://www.lenovo.com/environment>

For additional WEEE information, go to:

<https://www.lenovo.com/recycling>

WEEE information for Hungary

Lenovo, as a producer, bears the cost incurred in connection with the fulfillment of Lenovo's obligations under Hungary Law No. 197/2014 (VIII.1.) subsections (1)-(5) of section 12.

EU ErP (EcoDesign) Directive (2009/125/EC) - external power adapters (Regulation (EU) 2019/1782), Ecodesign for Energy-Related Products Regulations 2010 - UK SI 2010 No. 2617 (Ext PSU), SI 2020 No. 485 (Ntwk Standby), SI 2014 No. 1290 as amended

Lenovo products are compliant with the EU EcoDesign (ErP) Directive and UK EcoDesign for Energy-related Products Regulations. Refer to the following for details. For EU, refer to the system declaration <https://www.lenovo.com/us/en/compliance/eu-doc>, and for UK refer to the system declaration <https://www.lenovo.com/us/en/compliance/uk-doc>.

Japan recycling statements

Collect and recycle a disused Lenovo computer or monitor

If you are a company employee and need to dispose of a Lenovo computer or monitor that is the property of the company, you must do so in accordance with the Law for Promotion of Effective Utilization of Resources. Computers and monitors are categorized as industrial waste and should be properly disposed of by an industrial waste disposal contractor certified by a local government. In accordance with the Law for Promotion of Effective Utilization of Resources, Lenovo Japan provides, through its PC Collecting and Recycling Services, for the collecting, reuse, and recycling of disused computers and monitors. For details, visit the Lenovo Web site at:

https://www.lenovo.com/us/en/social_responsibility/sustainability/ptb_japan

Pursuant to the Law for Promotion of Effective Utilization of Resources, the collecting and recycling of home-used computers and monitors by the manufacturer was begun on October 1, 2003. This service is provided free of charge for home-used computers sold after October 1, 2003. For details, go to:

https://www.lenovo.com/us/en/social_responsibility/sustainability/ptb_japan

Dispose of Lenovo computer components

Some Lenovo computer products sold in Japan may have components that contain heavy metals or other environmental sensitive substances. To properly dispose of disused components, such as a printed circuit board or drive, use the methods described above for collecting and recycling a disused computer or monitor.

Dispose of disused lithium batteries from Lenovo computers

A button-shaped lithium battery is installed inside your Lenovo computer to provide power to the computer clock while the computer is off or disconnected from the main power source. If you need to replace it with a new one, contact your place of purchase or contact Lenovo for service. If you need to dispose of a disused lithium battery, insulate it with vinyl tape, contact your place of purchase or an industrial-waste-disposal operator, and follow their instructions.

Disposal of a lithium battery must comply with local ordinances and regulations.

Brazil recycling information

Declarações de Reciclagem no Brasil

Descarte de um Produto Lenovo Fora de Uso

Equipamentos elétricos e eletrônicos não devem ser descartados em lixo comum, mas enviados à pontos de coleta, autorizados pelo fabricante do produto para que sejam encaminhados e processados por empresas especializadas no manuseio de resíduos industriais, devidamente certificadas pelos órgãos ambientais, de acordo com a legislação local.

A Lenovo possui um canal específico para auxiliá-lo no descarte desses produtos. Caso você possua um produto Lenovo em situação de descarte, ligue para o nosso SAC ou encaminhe um e-mail para: reciclar@lenovo.com, informando o modelo, número de série e cidade, a fim de enviarmos as instruções para o correto descarte do seu produto Lenovo.

Recycling information for mainland China

《废弃电器电子产品回收处理管理条例》提示性说明

联想鼓励拥有联想品牌产品的用户当不再需要此类产品时，遵守国家废弃电器电子产品回收处理相关法律法规，将其交给当地具有国家认可的回收处理资质的厂商进行回收处理。更多回收服务信息，请点击进入<http://support.lenovo.com.cn/activity/551.htm>

Battery recycling information for Taiwan



廢電池請回收

Restriction of Hazardous Substances (RoHS) Directive of countries and regions

The latest environmental information about Lenovo products is available at:
<https://www.lenovo.com/ecodeclaration>

European Union (EU) / United Kingdom (UK) RoHS

This Lenovo product, with included parts (cables, cords, and so on) meets the requirements of EU Directive 2011/65/EU (as amended by Directive 2015/863/EU) and UK SI 2012 No. 3032 on the restriction of the use of certain hazardous substances in electrical and electronic equipment ("RoHS recast" or "RoHS 2").

For more information about Lenovo worldwide compliance on RoHS, go to:

<https://www.lenovo.com/rohs-communication>

Turkish WEEE / RoHS

Türkiye AEEE Yönetmeliğine Uygunluk Beyanı

Bu Lenovo ürünü, T.C. Çevre ve Orman Bakanlığı'nın "Atık Elektrik ve Elektronik Eşyalarda Bazı Zararlı Maddelerin Kullanımının Sınırlandırılmasına Dair Yönetmelik (AEEE)" direktiflerine uygundur.

AEEE Yönetmeliğine Uygundur.

Ukraine RoHS

Цим підтверджуємо, що продукція Леново відповідає вимогам нормативних актів України, які обмежують вміст небезпечних речовин

India RoHS

RoHS compliant as per E-Waste (Management) Rules.

Mainland China RoHS

产品中有害物质的名称及含量

部件名称	有害物质					
	铅(Pb)	汞(Hg)	镉(Cd)	六价铬 (Cr(VI))	多溴连苯 (PBB)	多溴二苯醚 (PBDE)
印刷电路板组件*	X	O	O	O	O	O
硬盘	X	O	O	O	O	O
光驱	X	O	O	O	O	O
内存	X	O	O	O	O	O
电脑I/O 附件	X	O	O	O	O	O
电源	X	O	O	O	O	O
键盘	X	O	O	O	O	O
鼠标	X	O	O	O	O	O
机箱/ 附件	X	O	O	O	O	O
电池	X	O	O	O	O	O

本表格依据 SJ/T 11364 的规定编制。
O：表示该有害物质在该部件所有均质材料中的含量均在 GB/T 26572 规定的限量要求以下。
X：表示该有害物质至少在该部件的某一均质材料中的含量超出 GB/T 26572 规定的限量要求。
注：表中标记“X”的部件，皆因全球技术发展水平限制而无法实现有害物质的替代。
印刷电路板组件*：包括印刷电路板及其零部件、电容和连接器
根据型号的不同，可能不会含有以上的所有部件，请以实际购买机型为准



在中华人民共和国境内销售的电子信息产品必须标识此标志，标志内的数字代表在正常使用状态下的产品的环保使用期限

Taiwan RoHS

單元	限用物質及其化學符號					
	鉛 (Pb)	汞 (Hg)	鎘 (Cd)	六價鉻 (Cr ⁺⁶)	多溴聯苯 (PBB)	多溴二苯醚 (PBDE)
印刷電路板組件	—	○	○	○	○	○
硬碟	—	○	○	○	○	○
光碟機(選配件)	—	○	○	○	○	○
記憶體	—	○	○	○	○	○
電源供應器	—	○	○	○	○	○
鍵盤(選配件)	—	○	○	○	○	○
滑鼠(選配件)	—	○	○	○	○	○
機殼	—	○	○	○	○	○
配件(電源線)	—	○	○	○	○	○
散熱模組	—	○	○	○	○	○
備考1. “超出0.1 wt %”及“超出0.01 wt %”係指限用物質之百分比含量超出百分比含量基準值。						
備考2. “○”係指該項限用物質之百分比含量未超出百分比含量基準值。						
備考3. “—”係指該項限用物質為排除項目。						

Electromagnetic emission notices

Federal Communications Commission (FCC) Supplier's Declaration of Conformity

The following information refers to ThinkStation P340, machine types: 30DH, 30DJ, and 30DM.

This equipment has been tested and found to comply with the limits for a Class B digital device, pursuant to Part 15 of the FCC Rules. These limits are designed to provide reasonable protection against harmful interference in a residential installation. This equipment generates, uses, and can radiate radio frequency energy and, if not installed and used in accordance with the instructions, may cause harmful interference to radio communications. However, there is no guarantee that interference will not occur in a particular installation. If this equipment does cause harmful interference to radio or television reception, which can be determined by turning the equipment off and on, the user is encouraged to try to correct the interference by one or more of the following measures:

- Reorient or relocate the receiving antenna.
- Increase the separation between the equipment and receiver.
- Connect the equipment into an outlet on a circuit different from that to which the receiver is connected.
- Consult an authorized dealer or service representative for help.

Lenovo is not responsible for any radio or television interference caused by using other than recommended cables and connectors or by unauthorized changes or modifications to this equipment. Unauthorized changes or modifications could void the user's authority to operate the equipment.

This device complies with Part 15 of the FCC Rules. Operation is subject to the following two conditions: (1) this device may not cause harmful interference, and (2) this device must accept any interference received, including interference that may cause undesired operation.

Responsible Party:
Lenovo (United States) Incorporated
7001 Development Drive
Morrisville, NC 27560



Industry Canada compliance statement

CAN ICES-3(B)/NMB-3(B)

European Union (EU) / United Kingdom (UK) – Electromagnetic Compatibility Compliance

This product is in conformity with the protection requirements of EU Council Directive 2014/30/EU on the approximation of the laws of the Member States, as well as UK SI 2016 No. 1091 with amendments, relating to the electromagnetic compatibility limits for Class B equipment. These Class B requirements are intended to offer adequate protection to broadcast services within residential environments.

German Class B compliance statement

Hinweis zur Einhaltung der Klasse B zur elektromagnetischen Verträglichkeit

Dieses Produkt entspricht den Schutzanforderungen der EU-Richtlinie zur elektromagnetischen Verträglichkeit Angleichung der Rechtsvorschriften über die elektromagnetische Verträglichkeit in den EU-Mitgliedsstaaten und hält die Grenzwerte der Klasse B der Norm gemäß Richtlinie.

Um dieses sicherzustellen, sind die Geräte wie in den Handbüchern beschrieben zu installieren und zu betreiben. Des Weiteren dürfen auch nur von der Lenovo empfohlene Kabel angeschlossen werden. Lenovo übernimmt keine Verantwortung für die Einhaltung der Schutzanforderungen, wenn das Produkt ohne Zustimmung der Lenovo verändert bzw. wenn Erweiterungskomponenten von Fremdherstellern ohne Empfehlung der Lenovo gesteckt/eingebaut werden.

Zulassungsbescheinigung laut dem Deutschen Gesetz über die elektromagnetische Verträglichkeit von Betriebsmitteln, EMVG vom 20. Juli 2007 (früher Gesetz über die elektromagnetische Verträglichkeit von Geräten), bzw. der EU Richtlinie 2014/30/EU, der EU Richtlinie 2014/53/EU Artikel 3.1b), für Geräte der Klasse B.

Dieses Gerät ist berechtigt, in Übereinstimmung mit dem Deutschen EMVG das EG-Konformitätszeichen - CE - zu führen. Verantwortlich für die Konformitätserklärung nach Paragraf 5 des EMVG ist die Lenovo (Deutschland) GmbH, Meitnerstr. 9, D-70563 Stuttgart.

Japan VCCI Class B compliance statement

この装置は、クラスB機器です。この装置は、住宅環境で使用することを目的としていますが、この装置がラジオやテレビジョン受信機に近接して使用されると、受信障害を引き起こすことがあります。
取扱説明書に従って正しい取り扱いをして下さい。

VCCI-B

Japan compliance statement for products which connect to the power mains with rated current less than or equal to 20 A per phase

日本の定格電流が 20A/相 以下の機器に対する高調波電流規制
高調波電流規格 JIS C 61000-3-2 適合品

Japan notice for ac power cord

The ac power cord shipped with your product can be used only for this specific product. Do not use the ac power cord for other devices.

本製品およびオプションに電源コード・セットが付属する場合は、それぞれ専用のものになっていますので他の電気機器には使用しないでください。

Other compliance and TCO Certified information of countries and regions

This section provides other compliance information about Lenovo products.

Certification-related information

Product name: ThinkStation P340

Machine types: 30DH, 30DJ, and 30DM

The latest compliance information is available at:

<https://www.lenovo.com/us/en/compliance>

TCO Certified

Selected models are TCO Certified and bear the TCO Certified logo.

Note: TCO Certified is an international third-party sustainability certification for IT products. For details, go to <https://www.lenovo.com/us/en/compliance/tco>.

Export classification notice

This product is subject to the United States Export Administration Regulations (EAR) and has an Export Classification Control Number (ECCN) of 5A992.c. It can be re-exported except to any of the embargoed countries in the EAR E1 country list.

Lenovo product service information for Taiwan

委製商/進口商名稱: 荷蘭商聯想股份有限公司台灣分公司

進口商地址: 台北市中山區樂群三路128號16樓

進口商電話: 0800-000-702 (代表號)

Taiwan precautionary vision statement

警語: 使用過度恐傷害視力

注意事項:

- 使用30分鐘請休息10分鐘。
- 未滿2歲幼兒不看螢幕, 2歲以上每天看螢幕不要超過1小時。

Keyboard and mouse compliance statement for Taiwan

本產品隨貨附已取得經濟部標準檢驗局認可之PS/2或USB的鍵盤與滑鼠一組

Eurasian compliance mark



Brazil audio notice

Ouvir sons com mais de 85 decibéis por longos períodos pode provocar danos ao sistema auditivo.

ENERGY STAR model information



ENERGY STAR is a joint program of the U.S. Environmental Protection Agency and the U.S. Department of Energy aimed at saving money and protecting the environment through energy efficient products and practices.

Lenovo is proud to offer products with the ENERGY STAR certified designation. Lenovo computers, if carry an ENERGY STAR mark, have been designed and tested to conform to the ENERGY STAR program requirements for computers as prescribed by the U.S. Environmental Protection Agency. For a certified computer, an ENERGY STAR mark may be affixed to the product, the product packaging, or displayed electronically on the E-label screen or the power settings interface.

By using ENERGY STAR compliant products and taking advantage of the power management features of your computer, you reduce the consumption of electricity. Reduced electrical consumption contributes to potential financial savings, a cleaner environment, and the reduction of greenhouse gas emissions. For more information about ENERGY STAR, go to <https://www.energystar.gov>.

Lenovo encourages you to make efficient use of energy an integral part of your day-to-day operations. To help in this endeavor, Lenovo has preset a default power plan. To change the power plan, see “Set the power plan” on page 11.

Appendix F. Notices and trademarks

Notices

Lenovo may not offer the products, services, or features discussed in this document in all countries. Consult your local Lenovo representative for information on the products and services currently available in your area. Any reference to a Lenovo product, program, or service is not intended to state or imply that only that Lenovo product, program, or service may be used. Any functionally equivalent product, program, or service that does not infringe any Lenovo intellectual property right may be used instead. However, it is the user's responsibility to evaluate and verify the operation of any other product, program, or service.

Lenovo may have patents or pending patent programs covering subject matter described in this document. The furnishing of this document does not give you any license to these patents. You can send license inquiries, in writing, to:

*Lenovo (United States), Inc.
8001 Development Drive
Morrisville, NC 27560
U.S.A.
Attention: Lenovo Director of Licensing*

LENOVO PROVIDES THIS PUBLICATION "AS IS" WITHOUT WARRANTY OF ANY KIND, EITHER EXPRESS OR IMPLIED, INCLUDING, BUT NOT LIMITED TO, THE IMPLIED WARRANTIES OF NON-INFRINGEMENT, MERCHANTABILITY OR FITNESS FOR A PARTICULAR PURPOSE. Some jurisdictions do not allow disclaimer of express or implied warranties in certain transactions, therefore, this statement may not apply to you.

Changes are made periodically to the information herein; these changes will be incorporated in new editions of the publication. To provide better service, Lenovo reserves the right to improve and/or modify the products and software programs described in the manuals included with your computer, and the content of the manual, at any time without additional notice.

The software interface and function and hardware configuration described in the manuals included with your computer might not match exactly the actual configuration of the computer that you purchase. For the configuration of the product, refer to the related contract (if any) or product packing list, or consult the distributor for the product sales. Lenovo may use or distribute any of the information you supply in any way it believes appropriate without incurring any obligation to you.

The products described in this document are not intended for use in implantation or other life support applications where malfunction may result in injury or death to persons. The information contained in this document does not affect or change Lenovo product specifications or warranties. Nothing in this document shall operate as an express or implied license or indemnity under the intellectual property rights of Lenovo or third parties. All information contained in this document was obtained in specific environments and is presented as an illustration. The result obtained in other operating environments may vary.

Lenovo may use or distribute any of the information you supply in any way it believes appropriate without incurring any obligation to you.

Any references in this publication to non-Lenovo Web sites are provided for convenience only and do not in any manner serve as an endorsement of those Web sites. The materials at those Web sites are not part of the materials for this Lenovo product, and use of those Web sites is at your own risk.

Any performance data contained herein was determined in a controlled environment. Therefore, the result obtained in other operating environments may vary significantly. Some measurements may have been made on development-level systems and there is no guarantee that these measurements will be the same on generally available systems. Furthermore, some measurements may have been estimated through extrapolation. Actual results may vary. Users of this document should verify the applicable data for their specific environment.

This document is copyrighted by Lenovo and is not covered by any open source license, including any Linux agreement(s) which may accompany software included with this product. Lenovo may update this document at any time without notice.

For the latest information or any questions or comments, contact or visit the Lenovo Web site:

<https://pcsupport.lenovo.com>

Trademarks

LENOVO, LENOVO logo, THINKSTATION, and THINKSTATION logo are trademarks of Lenovo. Intel, Optane, and Core are trademarks of Intel Corporation or its subsidiaries in the U.S. and/or other countries. Microsoft and Windows are trademarks of the Microsoft group of companies. DisplayPort is a trademark of the Video Electronics Standards Association. The terms HDMI and HDMI High-Definition Multimedia Interface are trademarks or registered trademarks of HDMI Licensing LLC in the United States and other countries. Wi-Fi, Wi-Fi Alliance, and Miracast are registered trademarks of Wi-Fi Alliance. USB-C is a trademark of USB Implementers Forum. All other trademarks are the property of their respective owners. © 2021 Lenovo.

Lenovo