



# **PRO Series**

## **Power Supply Unit**

PRO A1000PL PCIE5

PRO A850PL PCIE5

User Guide

# Contents

- Specifications .....3
  - PRO A1000PL PCIE5 .....3
  - PRO A850PL PCIE5 .....3
- Dimensions.....4
- Number of Power Connectors.....5
- Detachable Connectors.....6
- Connectivity and Cable Lengths .....7
- 12V-2x6 Cable Installation.....9
- Regulatory Notices.....10

# Specifications

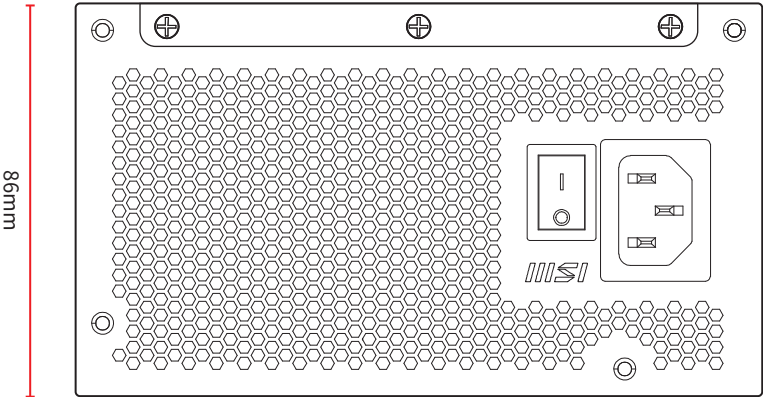
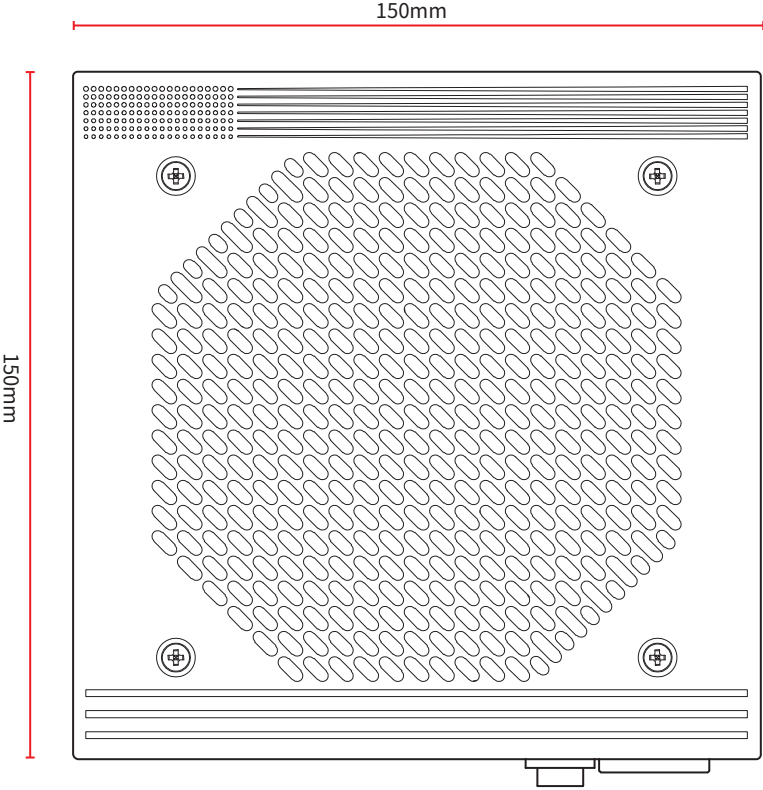
## PRO A1000PL PCIE5

AC Input	100-240V~, 13-6.5A, 50-60Hz Not for China 200-240V~, 6.5A, 50-60Hz Only for China/Korea				
DC Output	+5V	+3.3V	+12V	-12V	+5Vsb
	20.0A	20.0A	83.3A	0.3A	2.5A
Total Power	100W		999.6W	3.6W	12.5W
	1000W				

## PRO A850PL PCIE5

AC Input	100-240V~, 12-6.3A, 50-60Hz Not for China 200-240V~, 6.3A, 50-60Hz Only for China/Korea				
DC Output	+5V	+3.3V	+12V	-12V	+5Vsb
	20.0A	20.0A	70.8A	0.3A	2.5A
Total Power	100W		849.6W	3.6W	12.5W
	850W				

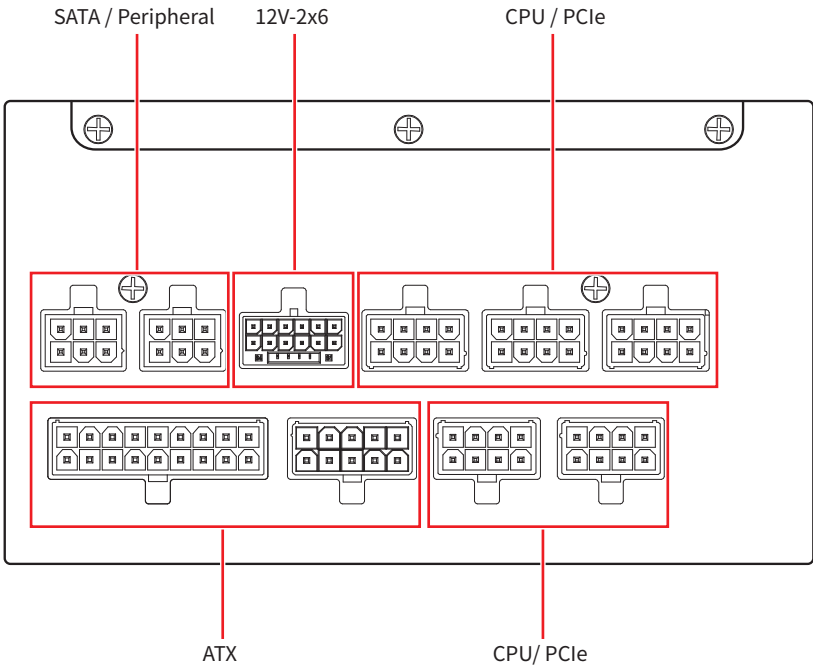
# Dimensions



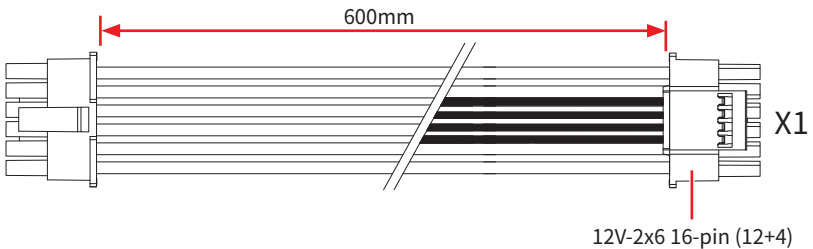
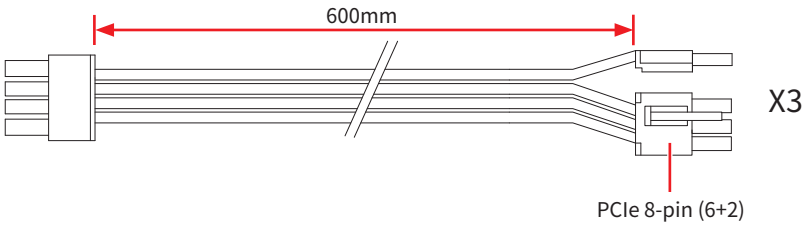
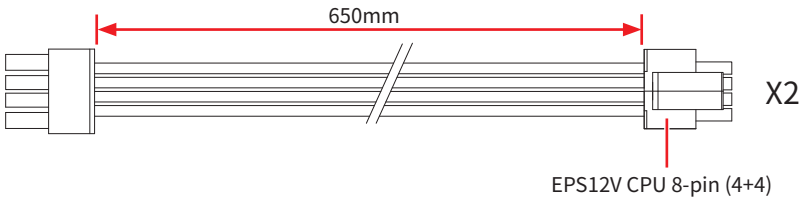
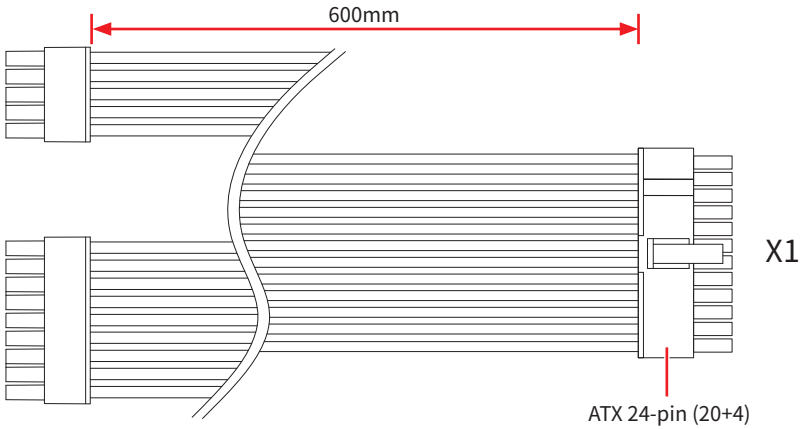
# Number of Power Connectors

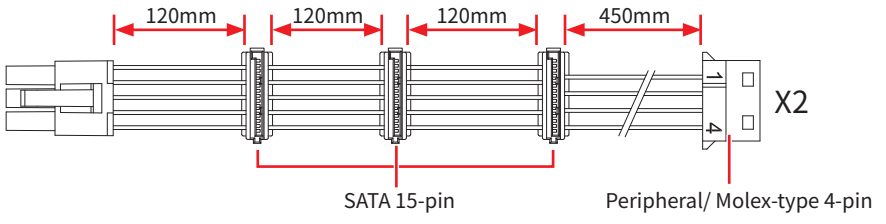
Power Connectors	A1000PL	A850PL
ATX 24-pin (20+4)	1	1
EPS12V CPU 8-pin (4+4)	2	2
PCIe 8-pin	3	3
12V-2x6	1	1
SATA 15-pin	6	6
Peripheral/Molex-type 4-pin	2	2

# Detachable Connectors



# Connectivity and Cable Lengths

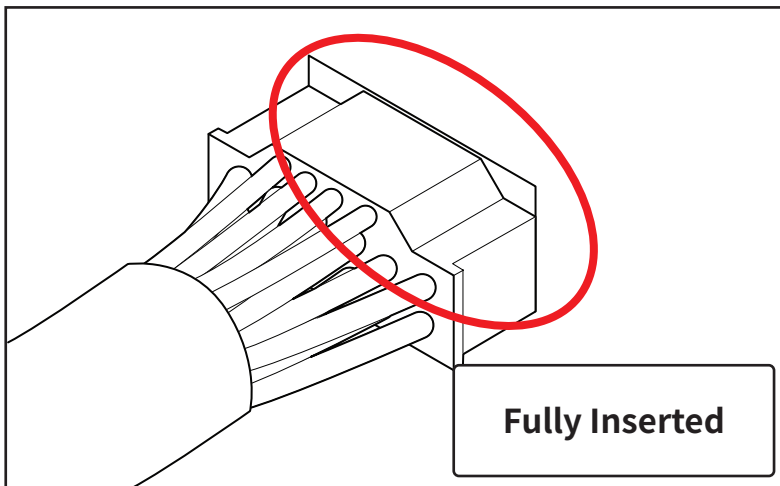
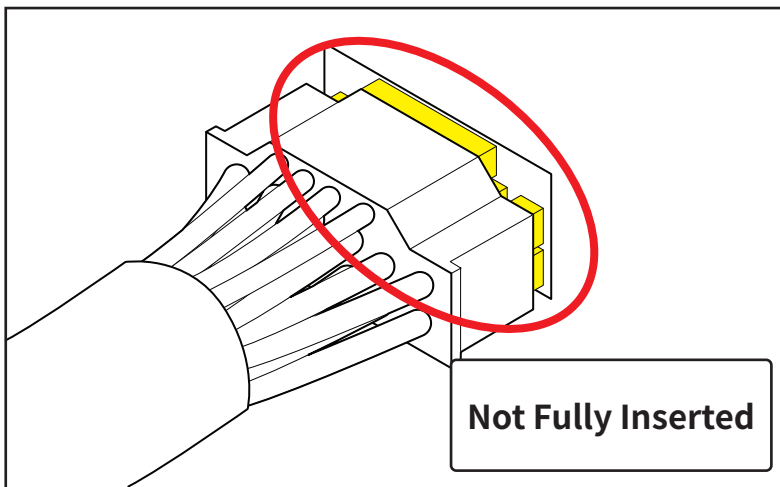




# 12V-2x6 Cable Installation

 **CAUTION**

*Please fully insert the cable before use.*



# Regulatory Notices

## Model Number

Model No.: MS-7ZPLX, MS-7ZPLY

## Product Implementation Standard

GB 17625.1-2022;GB 4943.1-2022;GB/T 9254.1-2021