

PRODUCT DATA SHEET - CLIP COUNTER

bouncepad[®]

Tablet Attachment:

Clip

Arm:

Desk

Mounting:

Freestanding Base

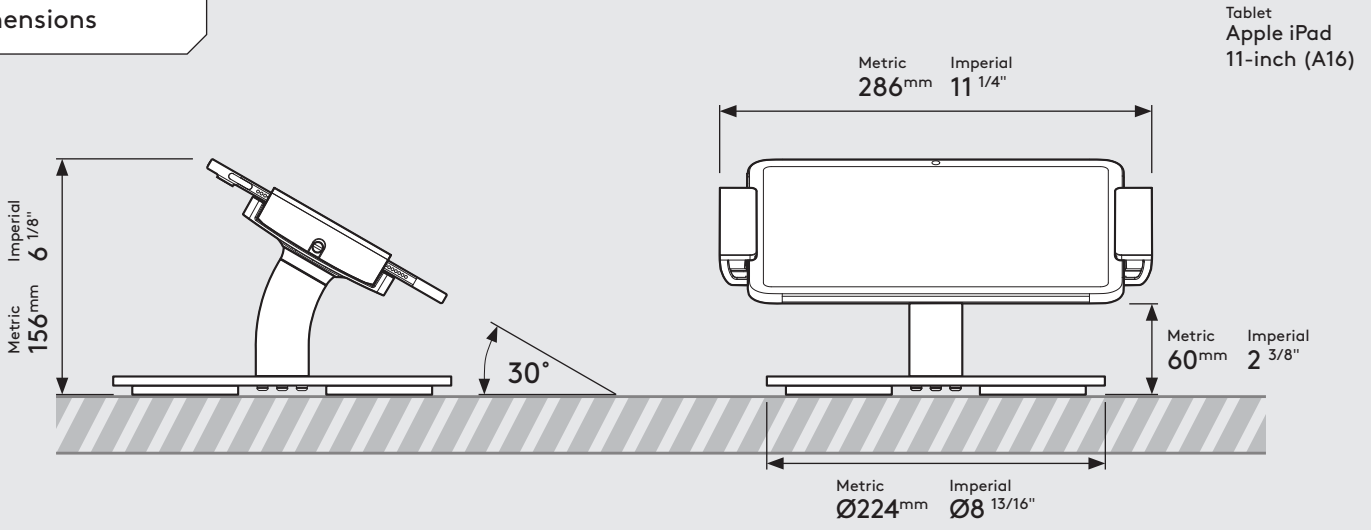
Packaged Weight:

2.53kg

Colour:

White
Black

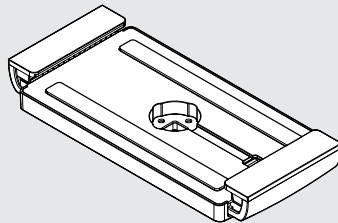
Dimensions



Parts in the Box

Clip Mount

Powder Coated Aluminium
PC/ABS Plastic
Nylon
Silicone Rubber
Stainless Steel



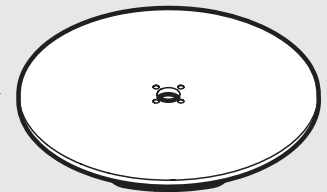
Desk Mounting Arm

Anodised Aluminium
Powder Coated Stainless
Steel & Aluminium



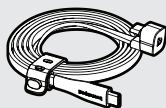
Freestanding Base

Mild Steel
Rubber

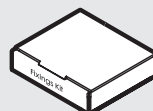


Flat Cable

Silicone Rubber



Fixing Kit



Clip Security Kit

