

Clip Counter Twist

Assembly Instructions

Tools Required:

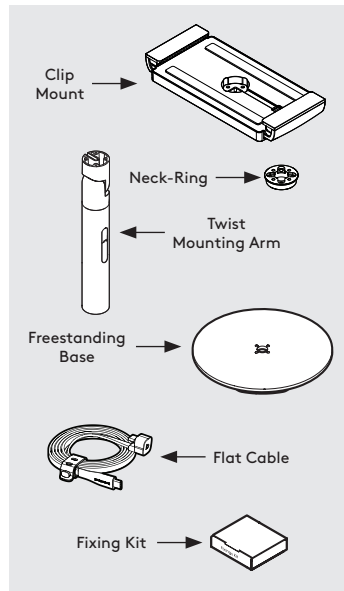
- Socket Driver

Tighten screw(s) using hand tools, using electric tools may damage your Bouncepad.

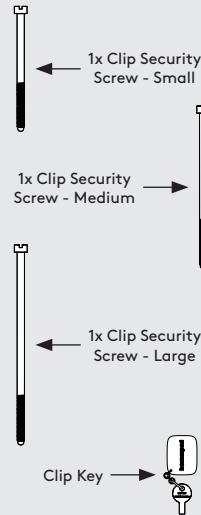
Sheet Code: BP-IM-150_REV0

Release Date: 16/02/2026

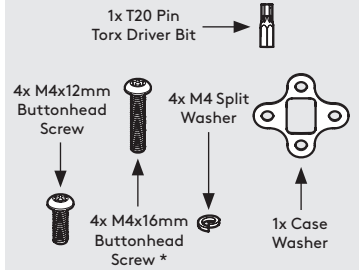
Copyright 2026 SpotSpot Ltd. (T/A Bouncepad) all rights reserved. Confidential, no part of this publication may be reproduced or transmitted in any form without the written permission of the copyright holder.



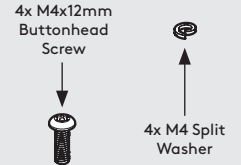
'Clip Security Kit' includes:



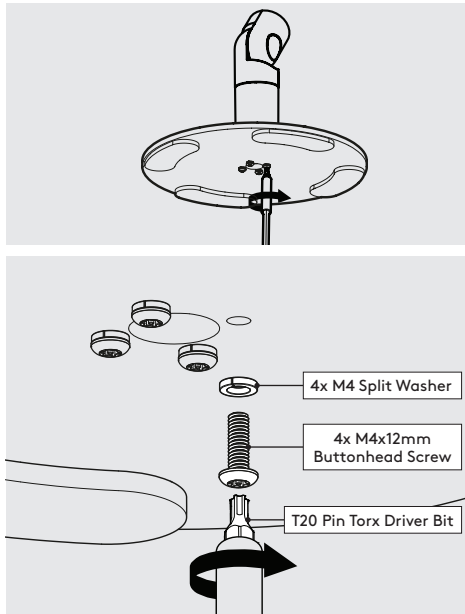
'Mounting Arm Box' includes:



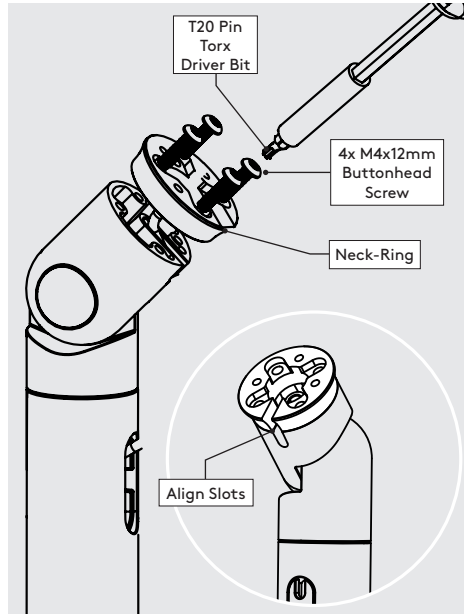
'Freestanding Base Box' includes:



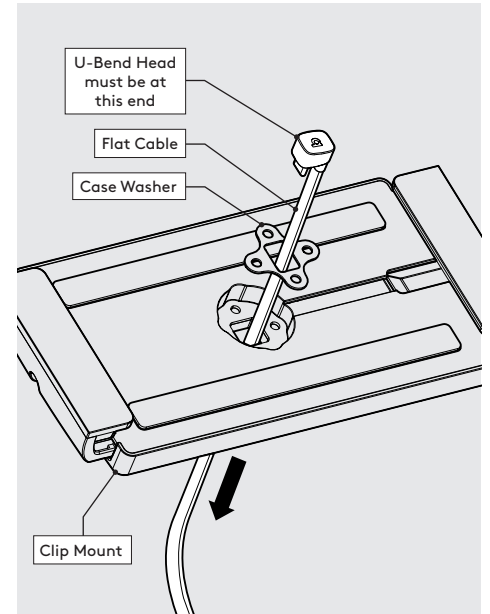
Due to the modular nature of our product range you may receive additional fixings in the fixings kit. * Previous models may have been supplied with 20mm.



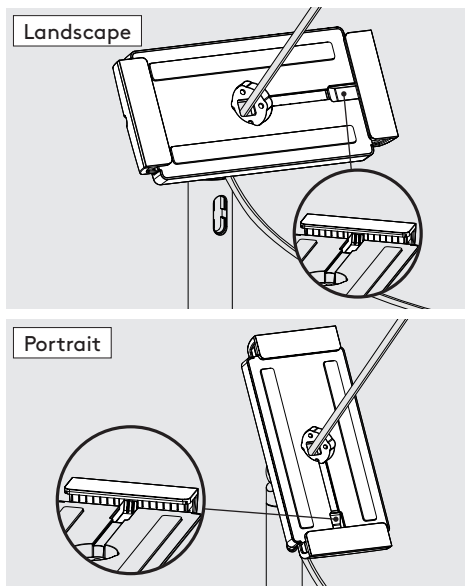
1 Locate & secure the Twist to the Freestanding Base.



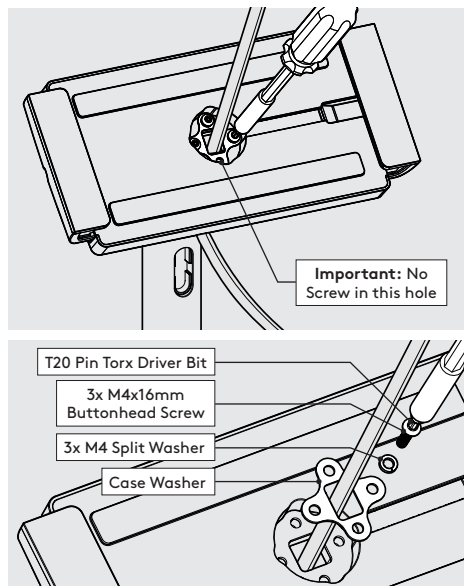
2 Attach Neck-Ring to the Twist with 4x M4x12 Buttonhead Screws as shown. The slots must be aligned.



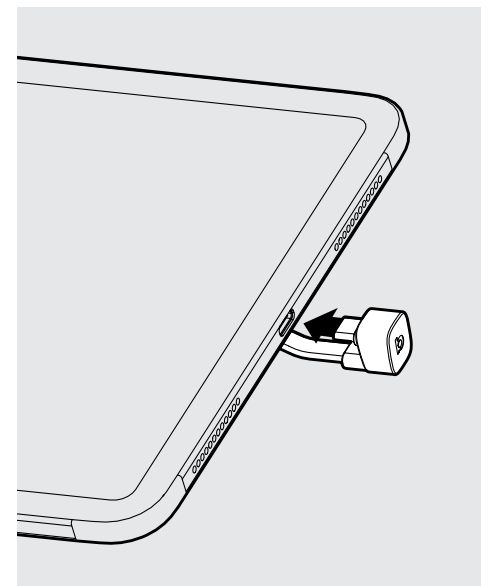
3 Feed the Flat Cable through the Case Washer & Clip Mount as shown.



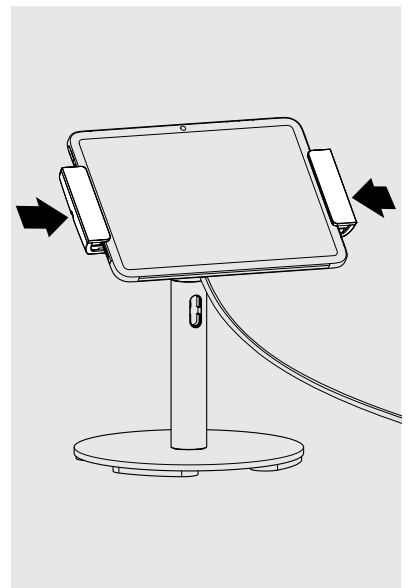
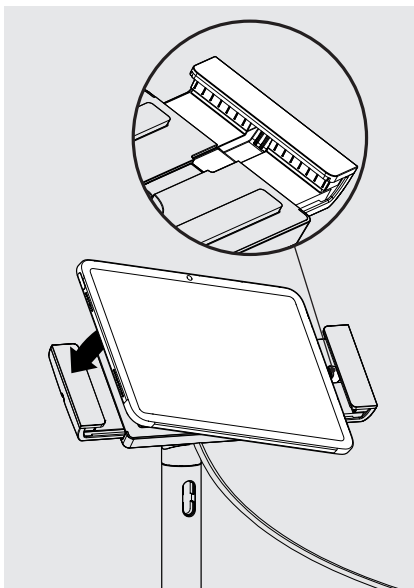
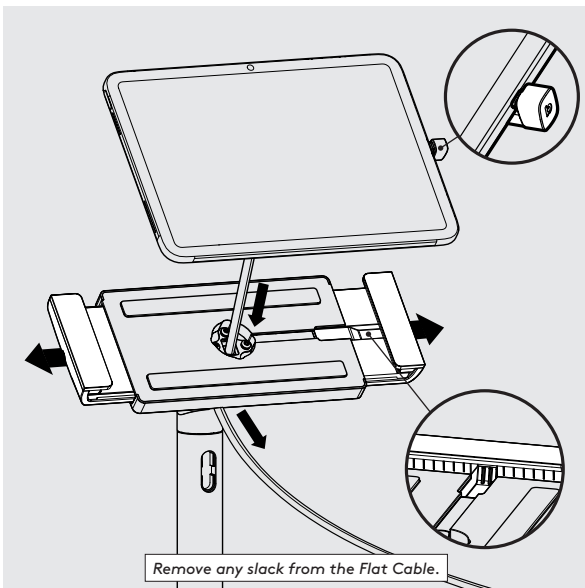
4 Locate the Clip Mount onto the Twist in your chosen orientation.



5 Attach the Clip Mount to the Neck-Ring as shown.



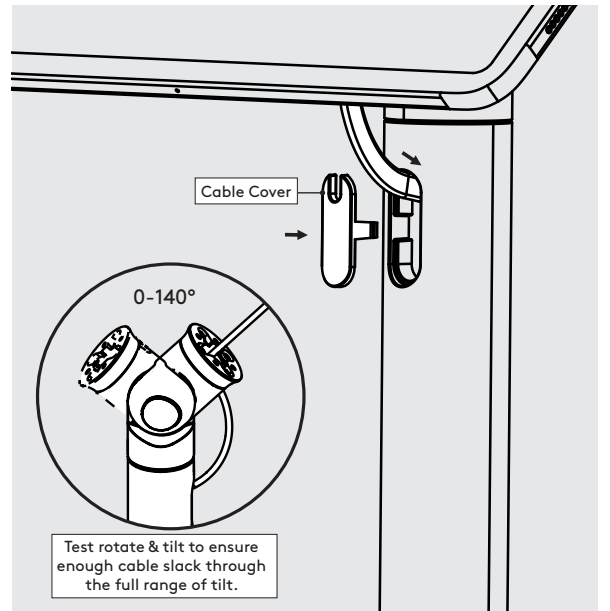
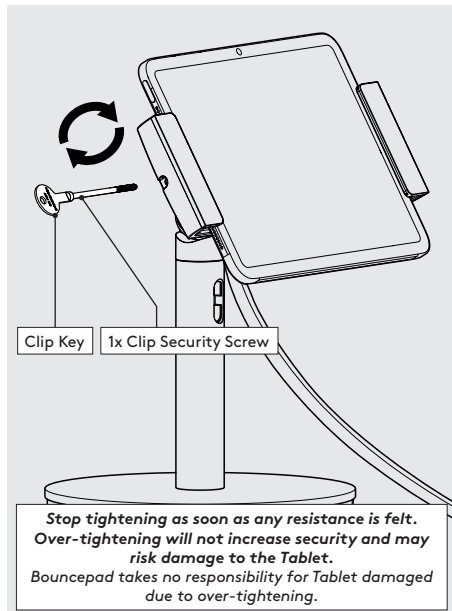
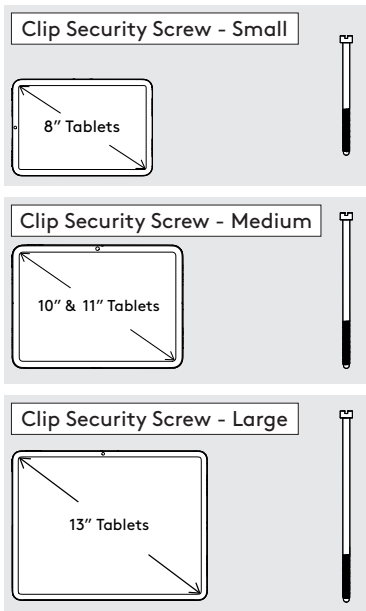
6 Attach the Flat Cable to the Tablet with the U-Bend Head.



7 Open the Clip Mount Jaws & Lower the Tablet

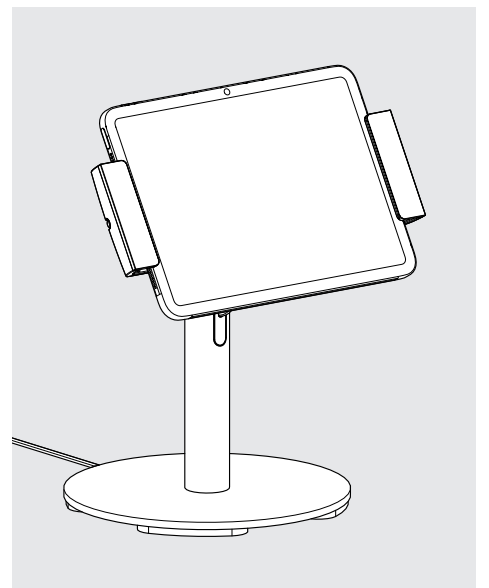
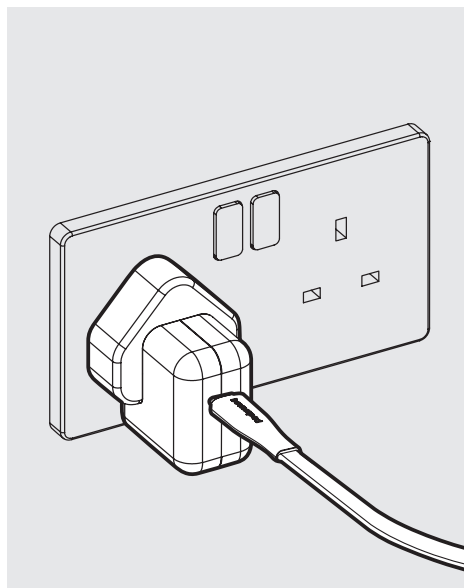
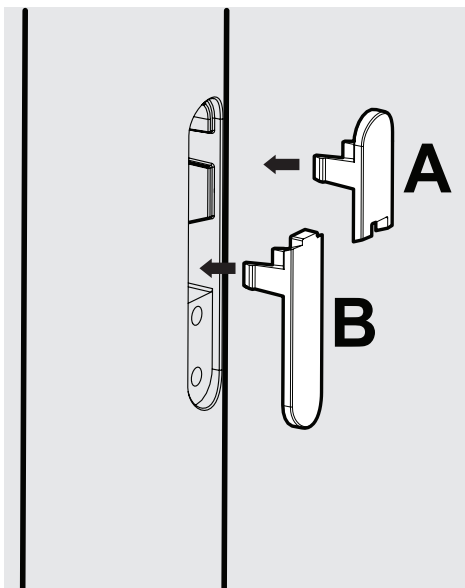
8 Locate the Flat Cable's U-Bend Head into the slot & place the Tablet into the Clip Mount.

9 Close the Clip Mount Jaws around the Tablet.



10 Secure the Clip Mount Jaws with the correct Clip Security Screw. This must only be done using the Clip Key.

11 Feed Flat Cable into the Cable Slot. Ensure there is adequate slack before attaching Cable Cover.



12 Fit Second Screen Attachment Covers. Fit cover 'B' before cover 'A'.

13 Connect the Flat Cable to a Mains Power Source.

14 Installation is now complete.