

Clip Elevate

Assembly Instructions

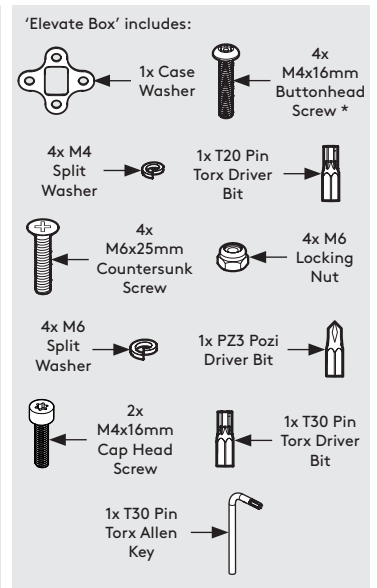
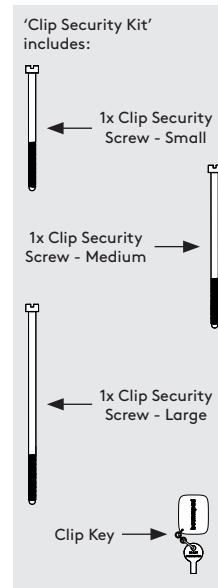
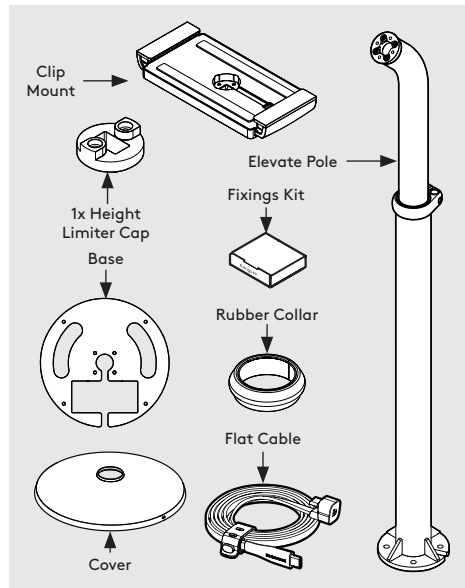
Tools Required:

- Socket Driver
- 10mm Spanner *or adjustable spanner

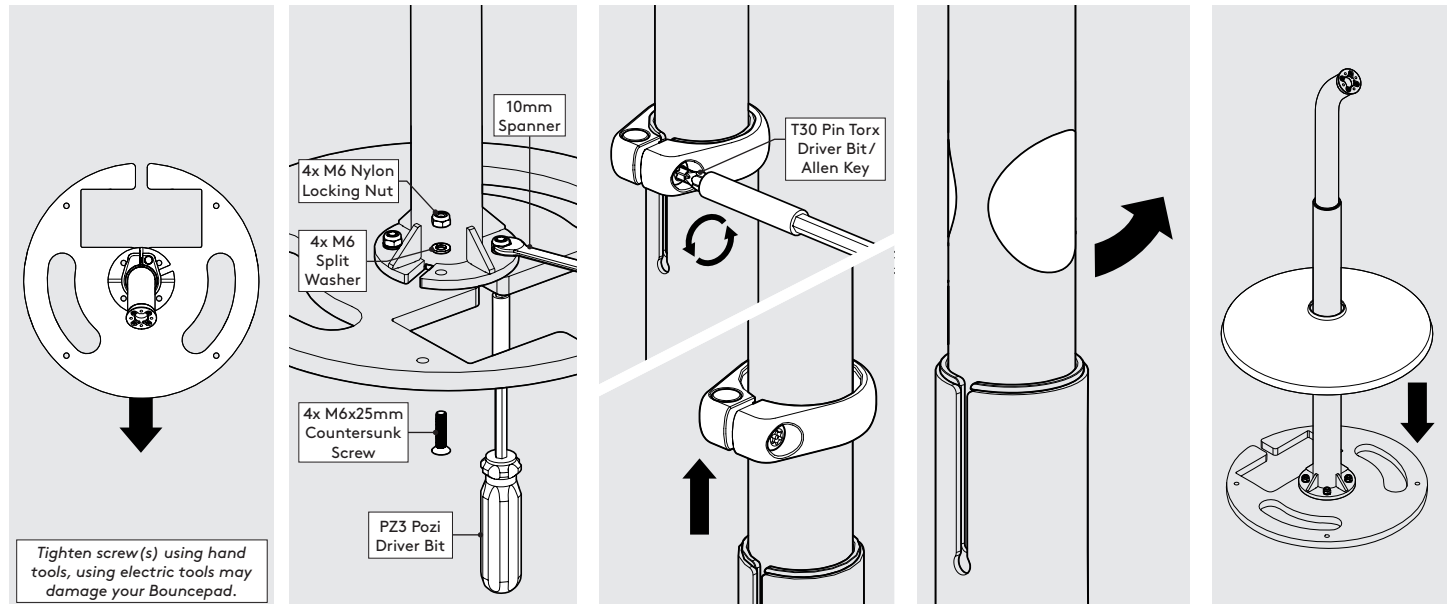
Sheet Code: BP-IM-154_REV0

Release Date: 19/11/2025

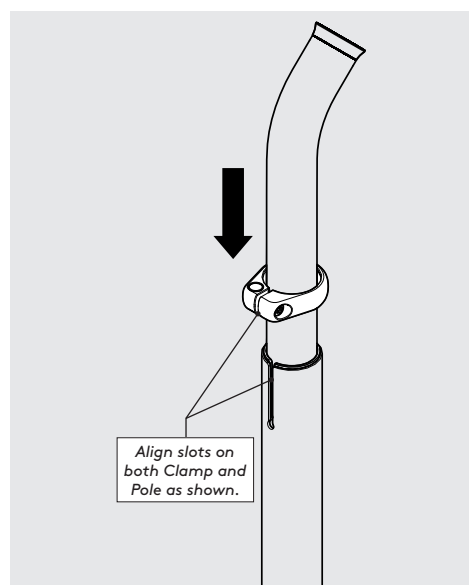
Copyright 2025 SpotSpot Ltd. (T/A Bouncepad) all rights reserved. Confidential, no part of this publication may be reproduced or transmitted in any form without the written permission of the copyright holder.



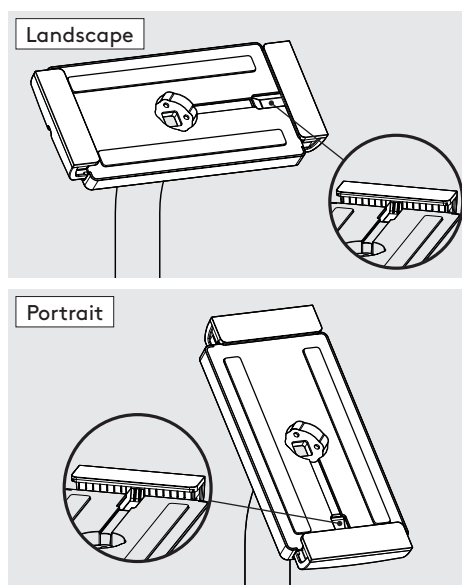
Due to the modular nature of our product range you may receive additional fixings in the fixings kit. * Previous models may have been supplied with 20mm.



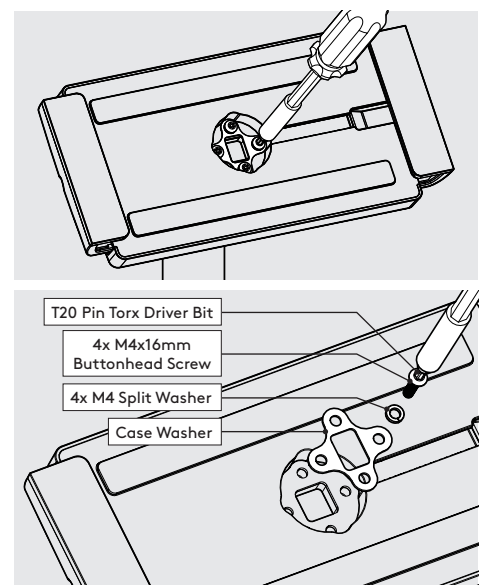
- 1** Orientate, locate & secure the Elevate Pole to the Base as shown. Ensure that all fixings are installed correctly.
- 2** Loosen & remove the Clamp.
- 3** Peel the Protective Stickers off the Elevate Pole.
- 4** Attach the Cover as Shown.



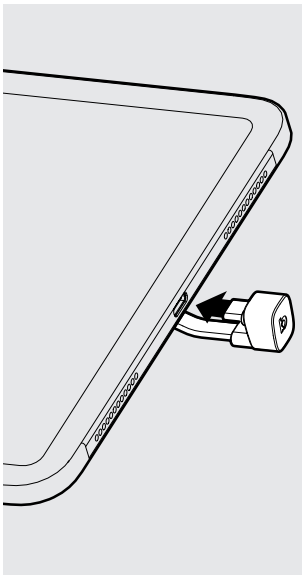
- 5** Reattach the Clamp without tightening.



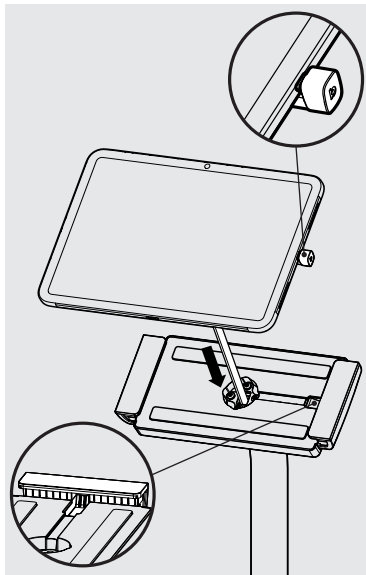
- 6** Locate the Clip Mount onto the Elevate Pole in your chosen orientation.



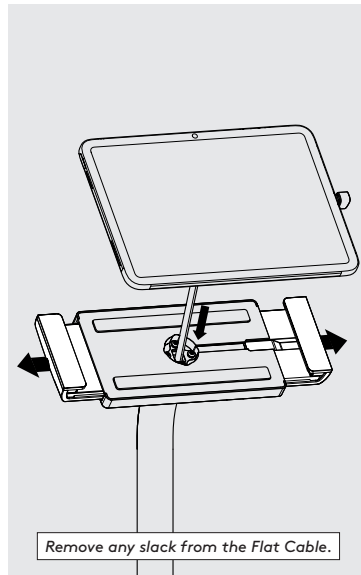
- 7** Attach the Clip Mount to the Elevate Pole as shown.



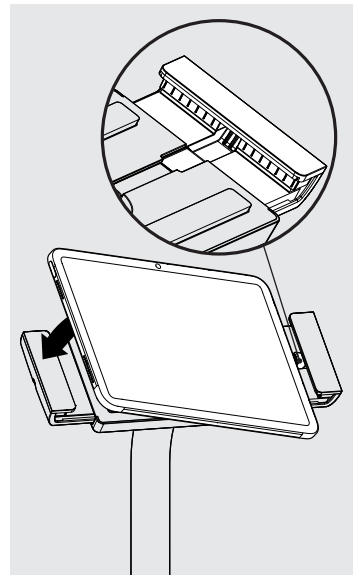
8 Attach the Flat Cable to the Tablet with the U-Bend Head.



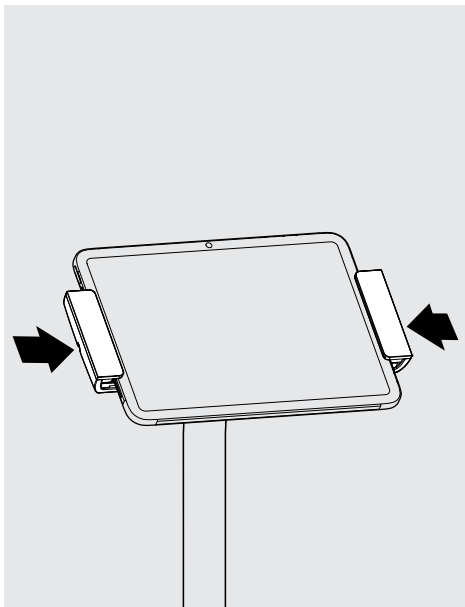
9 Feed the Tablet's Flat Cable through the Clip Mount & into the Elevate Pole.



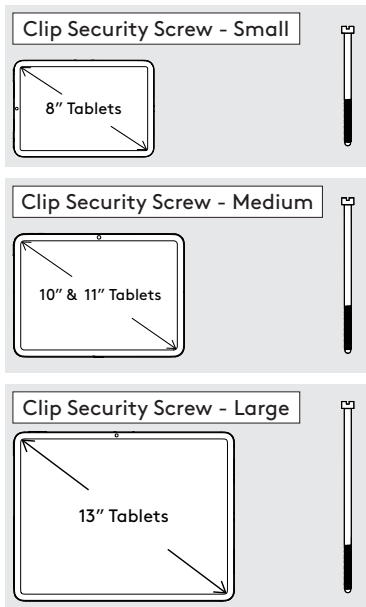
10 Open the Clip Mount Jaws & Lower the Tablet.
Remove any slack from the Flat Cable.



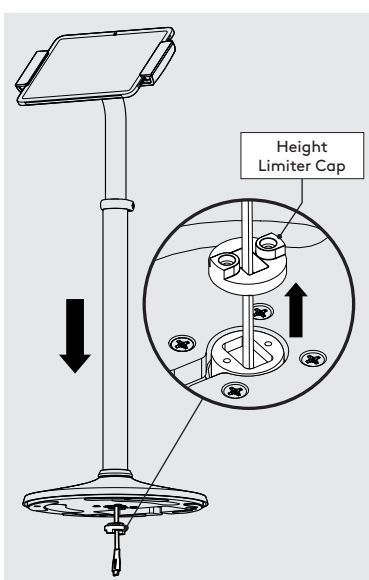
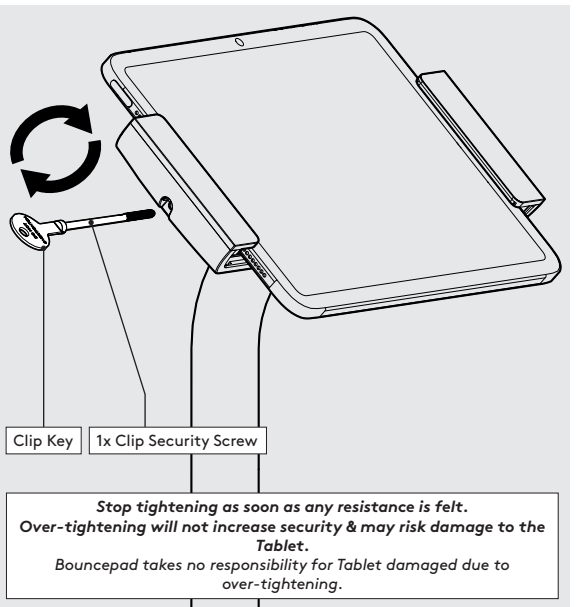
11 Locate the Flat Cable's U-Bend Head into the slot & place the Tablet into the Clip Mount.



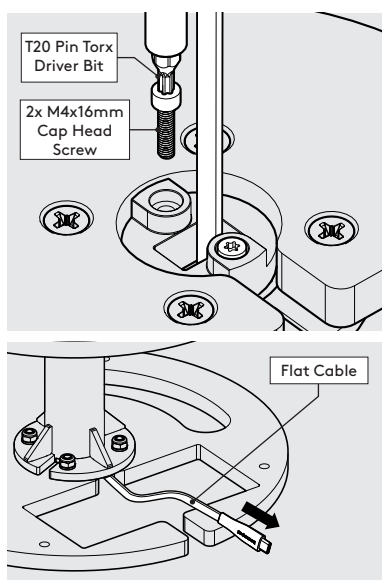
12 Close the Clip Mount Jaws around the Tablet.



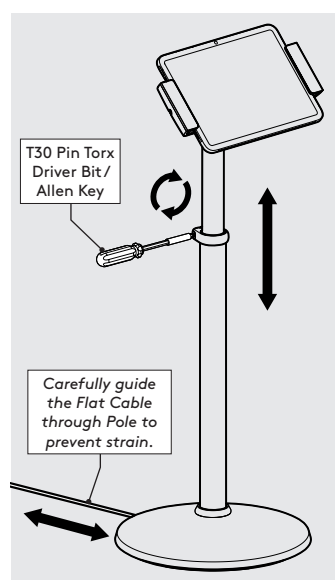
13 Secure the Clip Mount Jaws with the correct Clip Security Screw. This must only be done using the Clip Key.



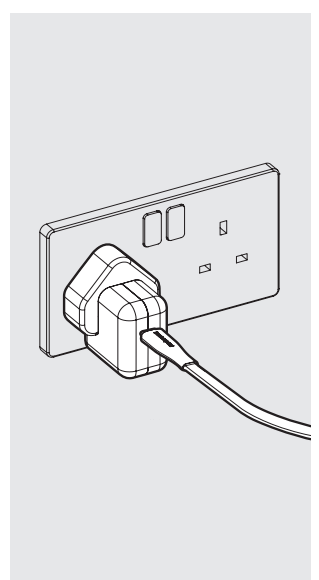
14 Feed the Flat Cable through the Elevate Pole & Height Limiter Cap.



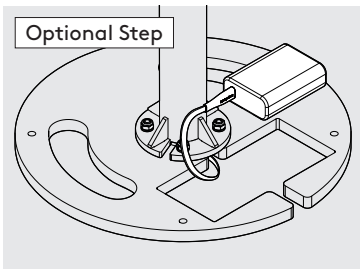
15 Attach the Height Limiter Cap to the Elevate Pole. Feed the Flat Cable through the Base.



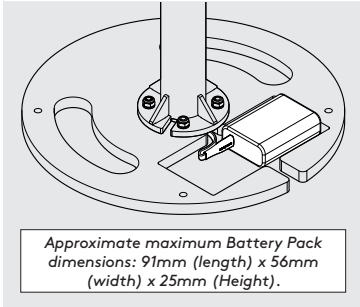
16 Adjust the Elevate Pole to your desired height & tighten the Clamp.



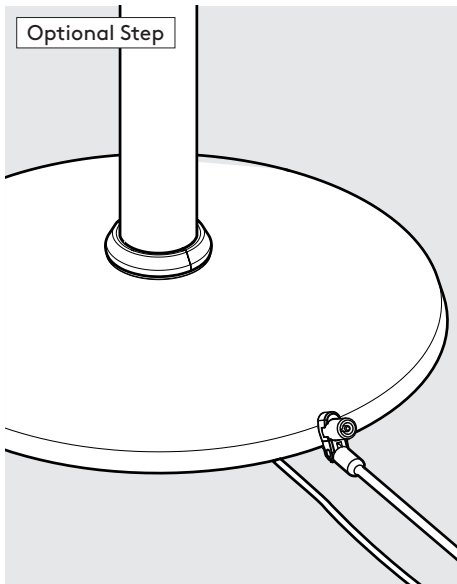
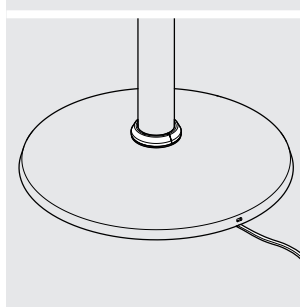
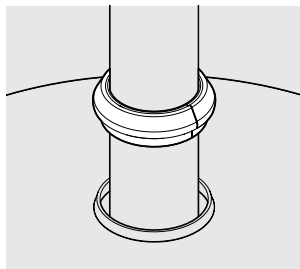
17 Connect the Flat Cable to its mains power source.



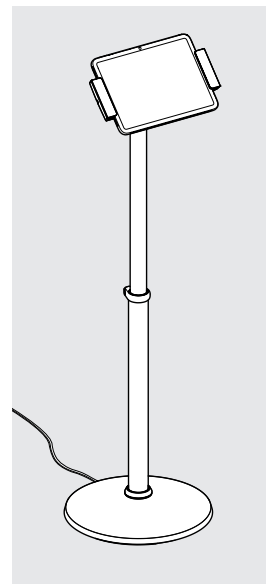
Optional Step



Approximate maximum Battery Pack dimensions: 91mm (length) x 56mm (width) x 25mm (Height).



Optional Step



18

If installing a Battery Pack, connect the Flat Cable & locate into the Base.

19

With the Cover on the ground, locate & fit the Rubber Collar.

20

Use a Kensington® Microsaver product to tether to a secure object. (refer to your Kensington® instructions for full details)

21

Installation is now complete.