

## Clip Elevate Slim

### Assembly Instructions

#### Tools Required:

- Pencil
- Socket Driver
- Drill \*or adjustable spanner
- Drillbit

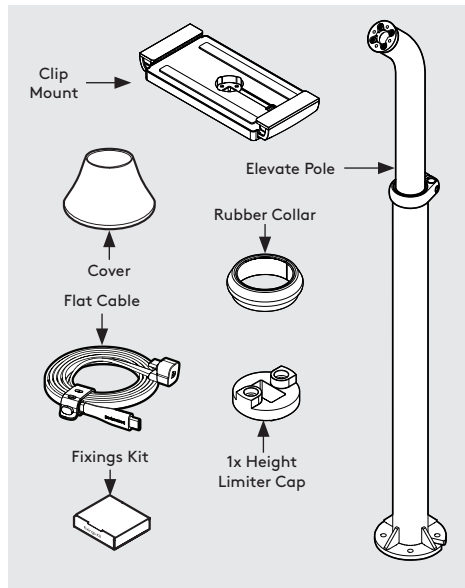
*\*Please note that the drillbit size & type will be determined by your chosen fixing method and material of the mounting surface. Ensure you have access to the appropriate tools to secure the floorstanding to your mounting surface.*

*\*Bouncepad does not provide these fixings.*

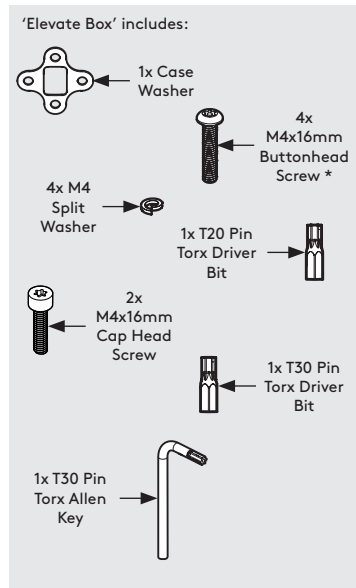
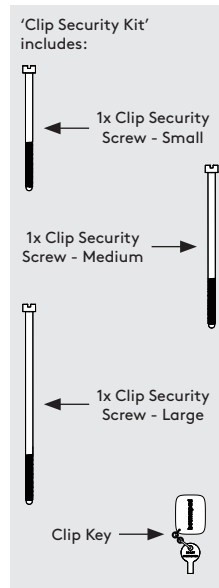
Sheet Code: BP-IM-155\_REV0

Release Date: 20/11/2025

Copyright 2025 SpotSpot Ltd. (T/A Bouncepad) all rights reserved. Confidential, no part of this publication may be reproduced or transmitted in any form without the written permission of the copyright holder.

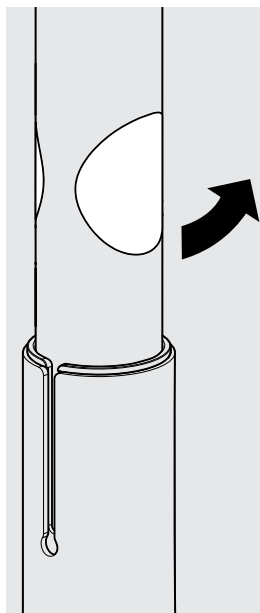
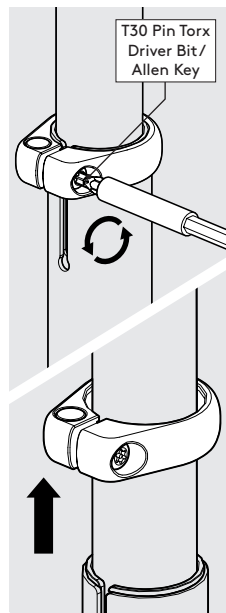
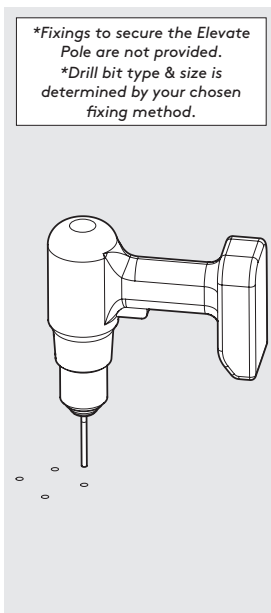
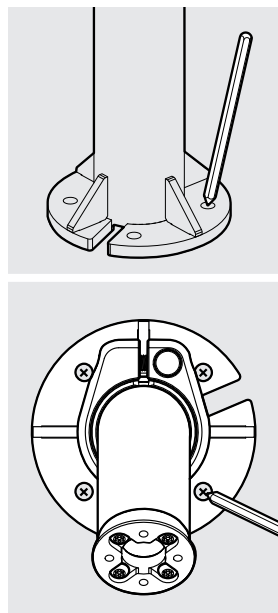
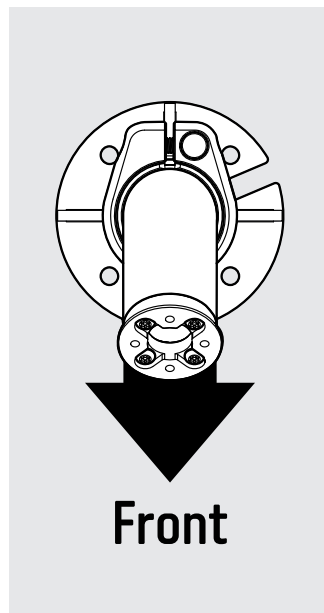


In the Box



#### Fixings List

*Due to the modular nature of our product range you may receive additional fixings in the fixings kit. \* Previous models may have been supplied with 20mm.*



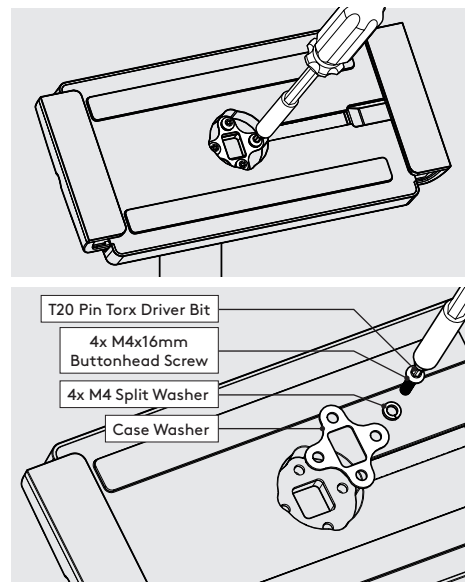
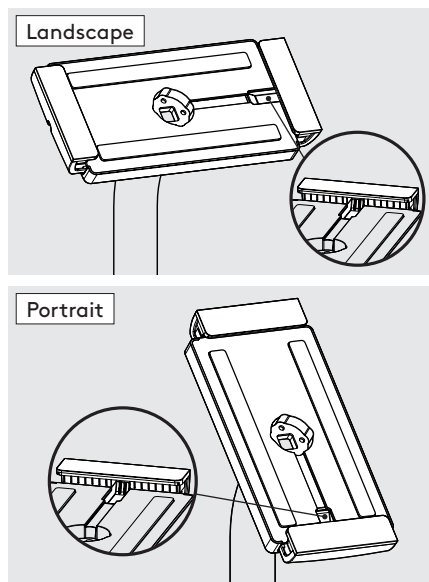
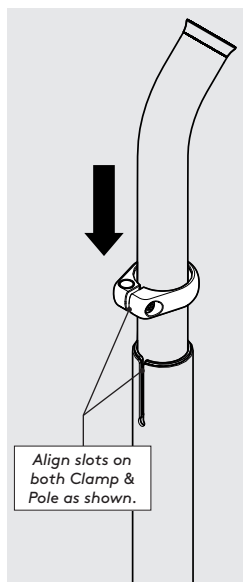
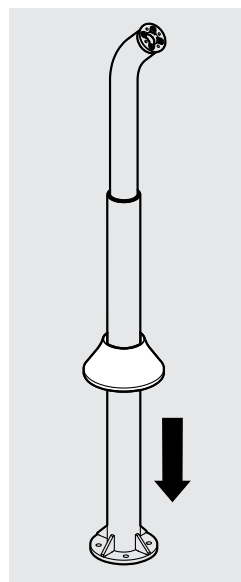
**1** Position & orientate the Elevate pole in the location of final install.

**2** Mark the drill hole locations on the mounting surface.

**3** Drill all four fixing holes into the mounting surface.

**4** Loosen & remove the Clamp.

**5** Peel Protective Stickers off the Elevate Pole.

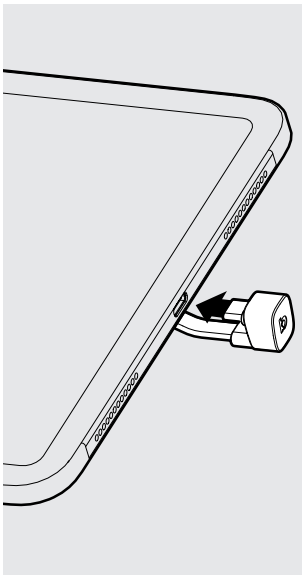


**6** Locate the Cover over the Elevate Pole.

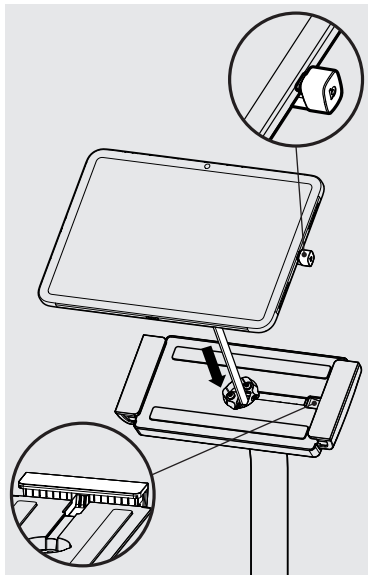
**7** Reattach the Clamp without tightening.

**8** Locate the Clip Mount onto the Elevate Pole in your chosen orientation.

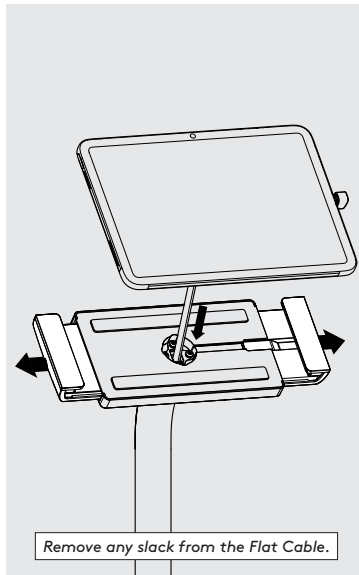
**9** Attach the Clip Mount to the Elevate Pole as shown.



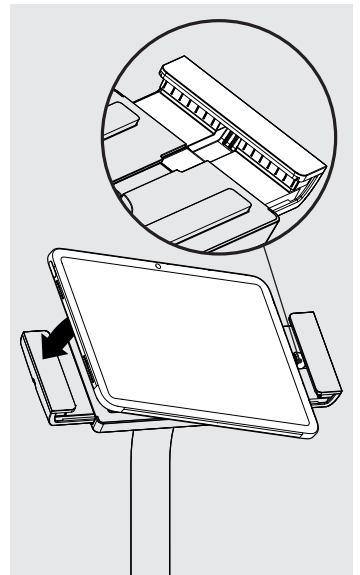
**10** Attach the Flat Cable to the Tablet with the U-Bend Head.



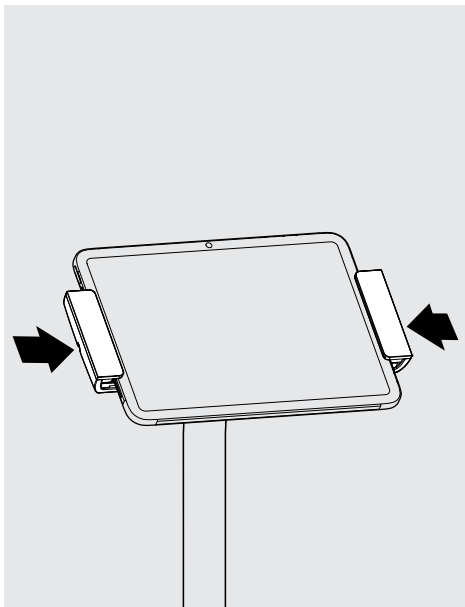
**11** Feed the Tablet's Flat Cable through the Clip Mount & into the Elevate Pole.



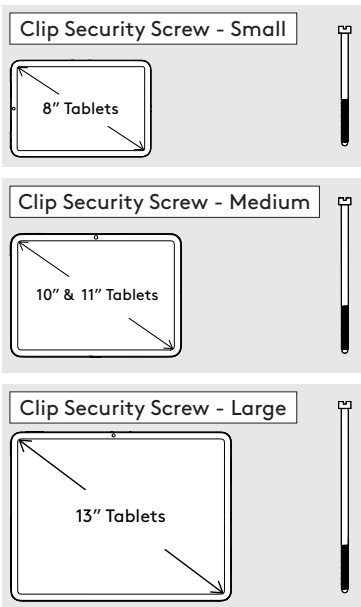
**12** Open the Clip Mount Jaws & Lower the Tablet.



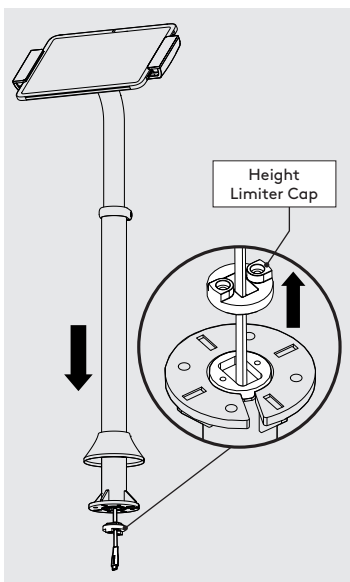
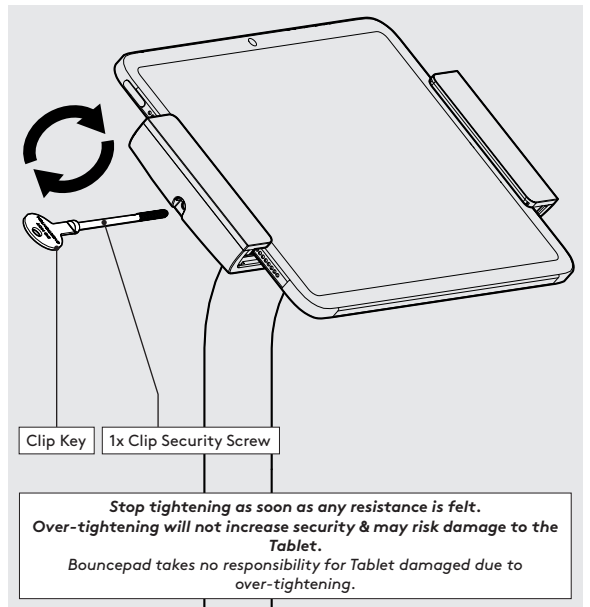
**13** Locate the Flat Cable's U-Bend Head into the slot & place the Tablet into the Clip Mount.



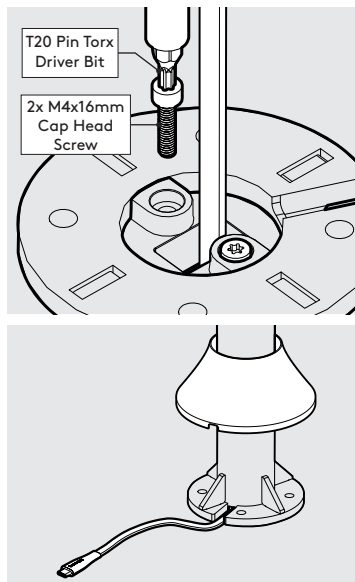
**14** Close the Clip Mount Jaws around the Tablet.



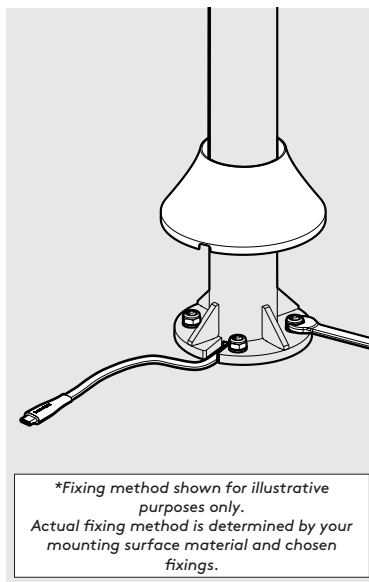
**15** Secure the Clip Mount Jaws with the correct Clip Security Screw. This must only be done using the Clip Key.



**16** Feed the Flat Cable through the Elevate Pole & Height Limiter Cap.

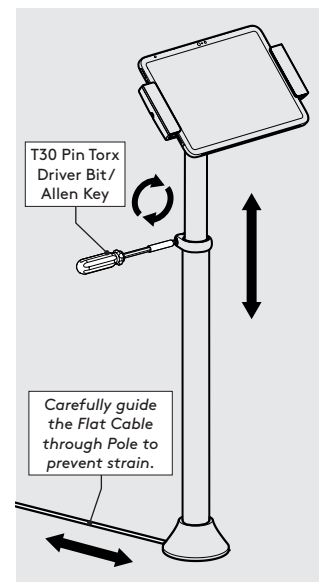


**17** Attach the Height Limiter Cap to the Elevate Pole. Feed the Flat Cable through the slot.

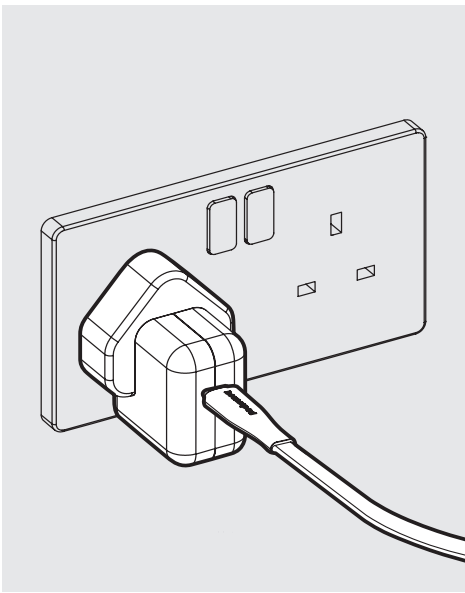


*\*Fixing method shown for illustrative purposes only. Actual fixing method is determined by your mounting surface material and chosen fixings.*

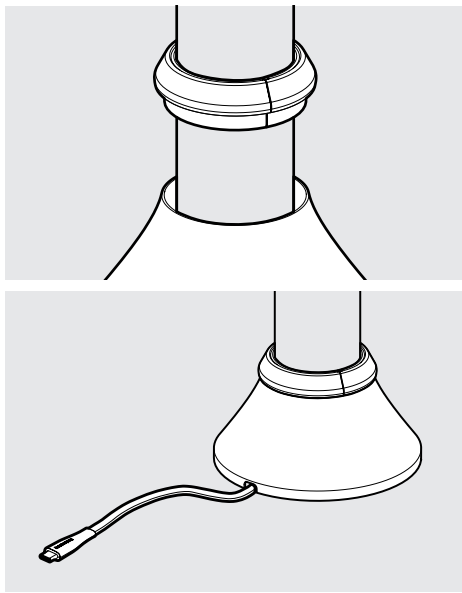
**18** Secure the Elevate Pole to the mounting surface, using your chosen fixing method.



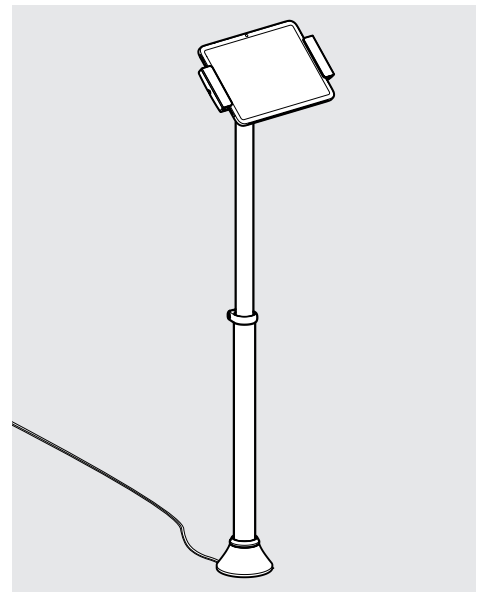
**19** Adjust the Elevate Pole to your desired height & tighten the Clamp.



**20** Connect the Flat Cable to its mains power source.



**21** With the Cover on the ground, locate & fit the Rubber Collar.



**22** Installation is now complete.