

Clip Flip

Assembly Instructions

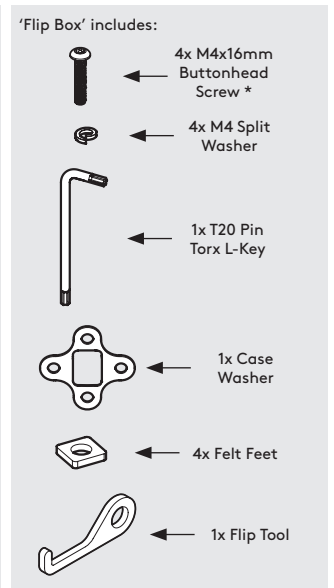
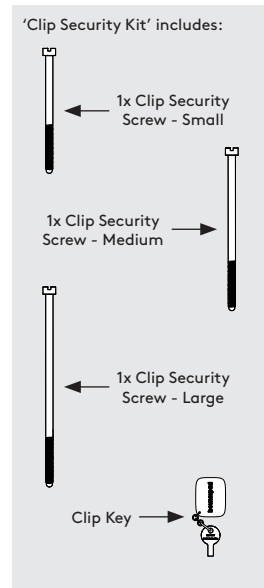
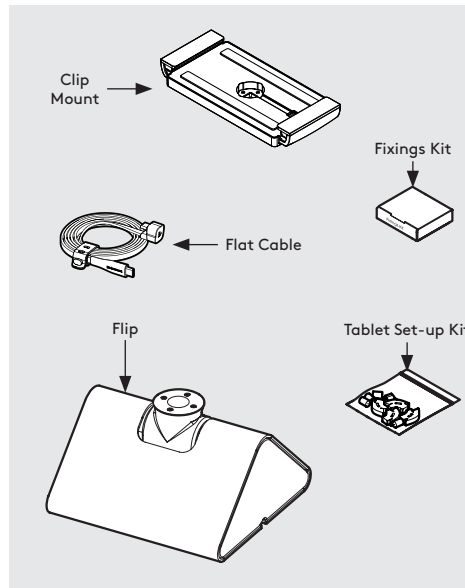
Tools Required:

- All tools provided

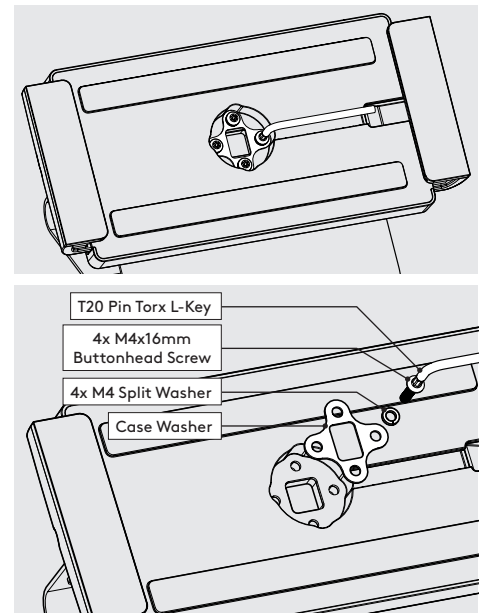
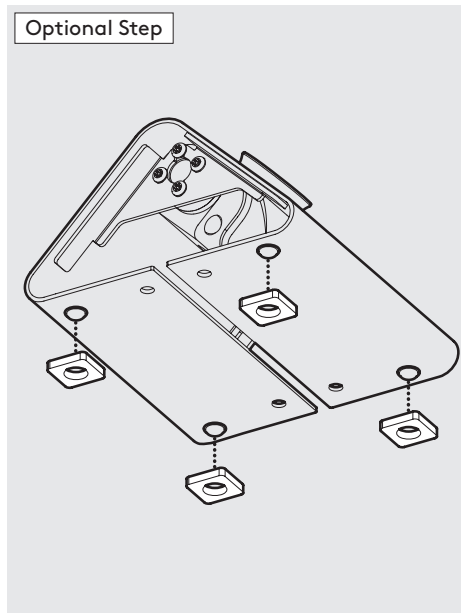
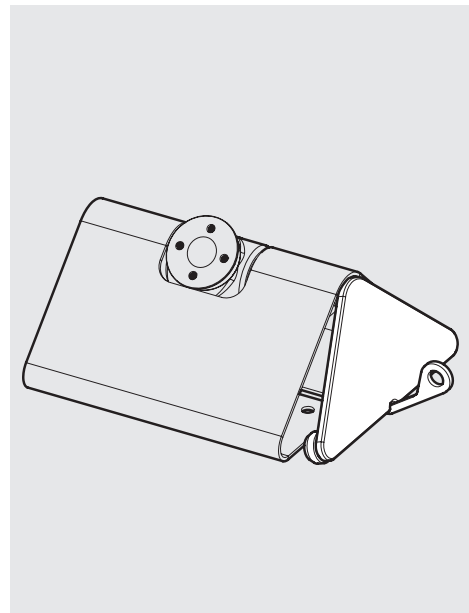
Sheet Code: BP-IM-132_REV0

Release Date: 28/10/2025

Copyright 2025 SpotSpot Ltd. (T/A Bouncepad) all rights reserved. Confidential, no part of this publication may be reproduced or transmitted in any form without the written permission of the copyright holder.



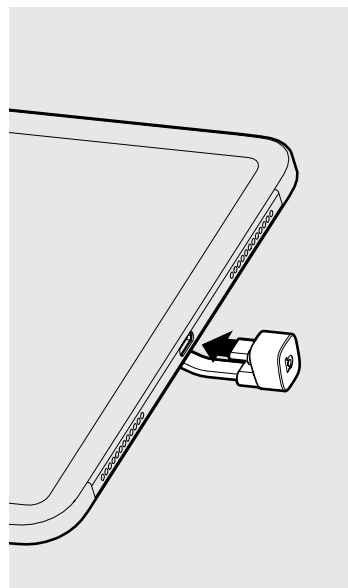
Due to the modular nature of our product range you may receive additional fixings in the fixings kit. * Previous models may have been supplied with 20mm.



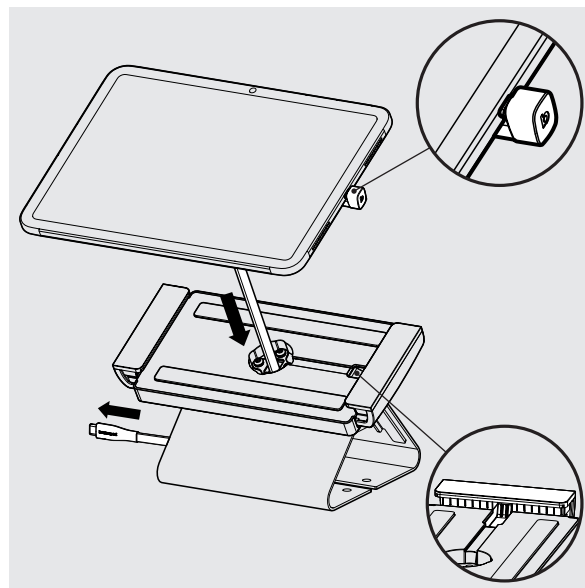
1 Remove the End Plates from the Flip using the Flip Tool.

2 If wishing to slide your Flip across your mounting surface, apply the supplied Felt Feet as shown.

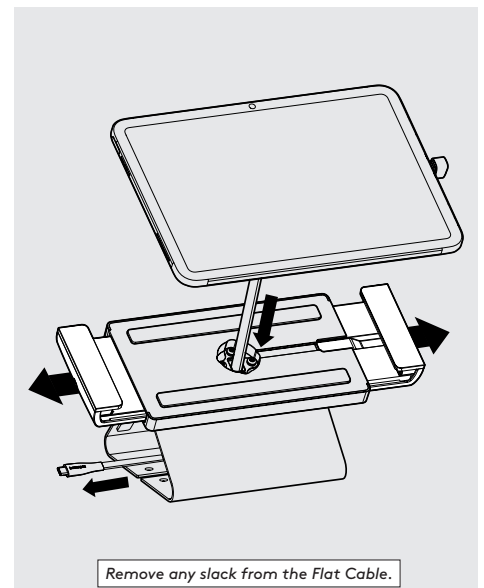
3 Attach the Clip Mount to the Flip as shown.



4 Attach the Flat Cable to the Tablet with the U-Bend Head.

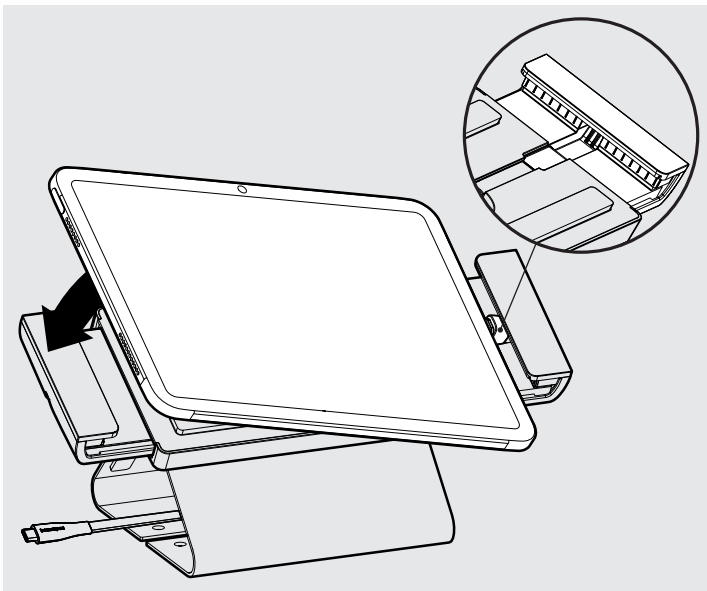


5 Feed the Flat Cable into the Clip Mount & Flip.

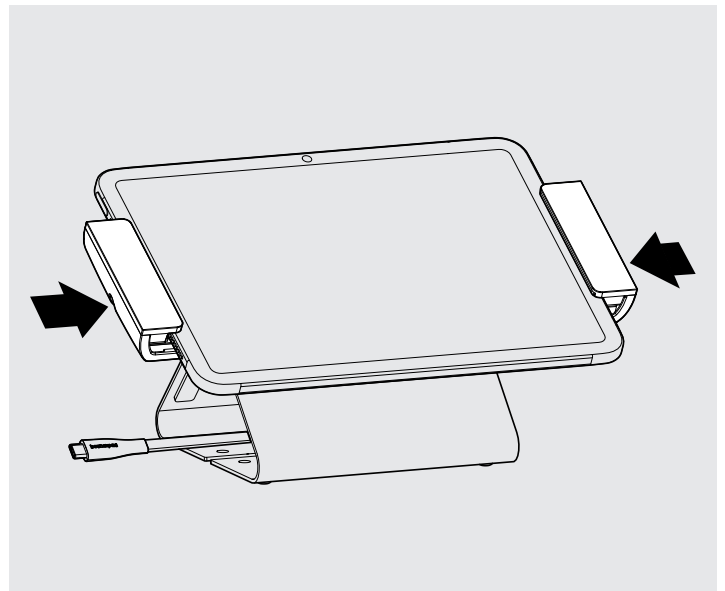


6 Open the Clip Mount Jaws & Lower the Tablet.

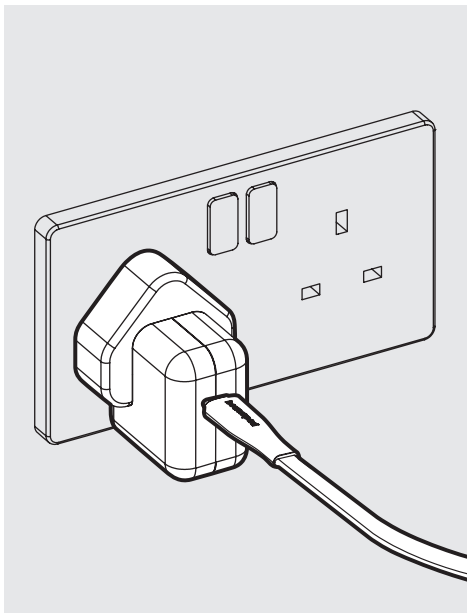
Remove any slack from the Flat Cable.



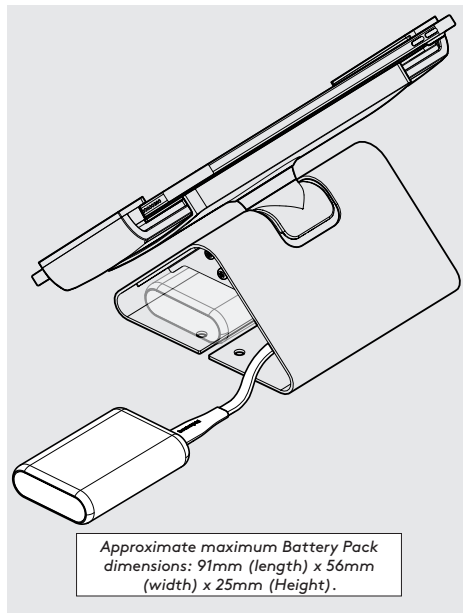
7 Locate the Flat Cable's U-Bend Head into the slot & place the Tablet into the Clip Mount.



8 Close the Clip Mount Jaws around the Tablet.

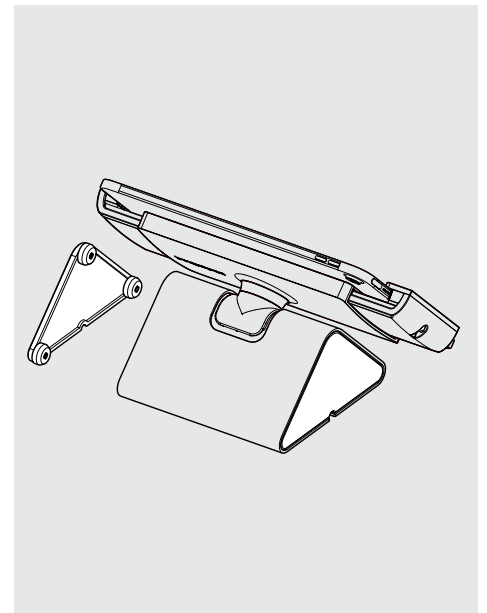


9.1 Connect the Flat Cable to a Mains Power Source.

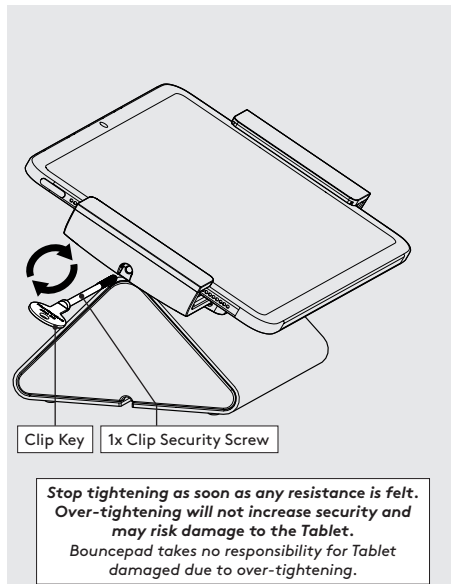
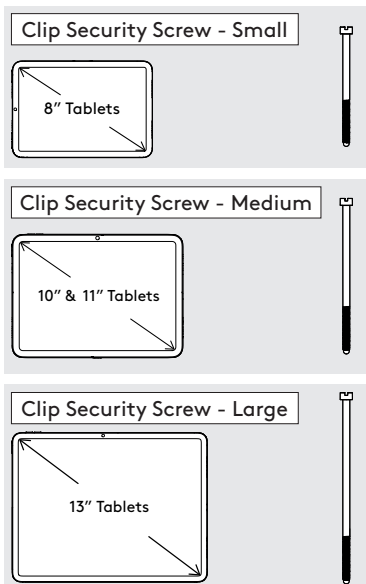


Approximate maximum Battery Pack dimensions: 91mm (length) x 56mm (width) x 25mm (Height).

9.2 If installing a Battery Pack, connect the Flat Cable & locate into the Flip.



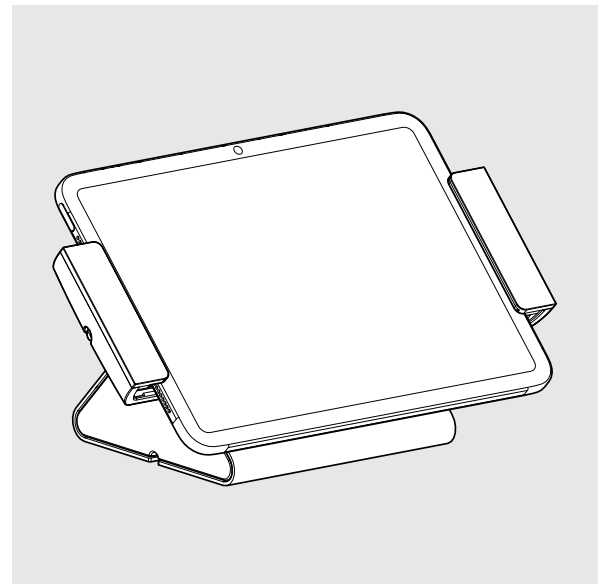
10 Locate the Flip End Plates into the Flip Base.



Clip Key 1x Clip Security Screw

Stop tightening as soon as any resistance is felt. Over-tightening will not increase security and may risk damage to the Tablet. Bouncepad takes no responsibility for Tablet damaged due to over-tightening.

11 Secure the Clip Mount Jaws with the correct Clip Security Screw. This must only be done using the Clip Key.



12 Installation is now complete.