

## Clip Floorstanding

### Assembly Instructions

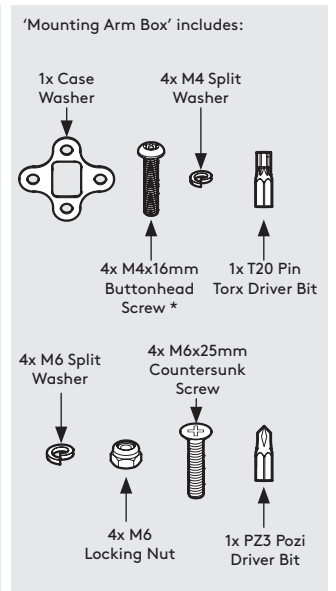
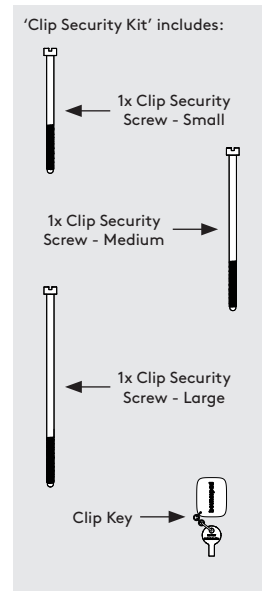
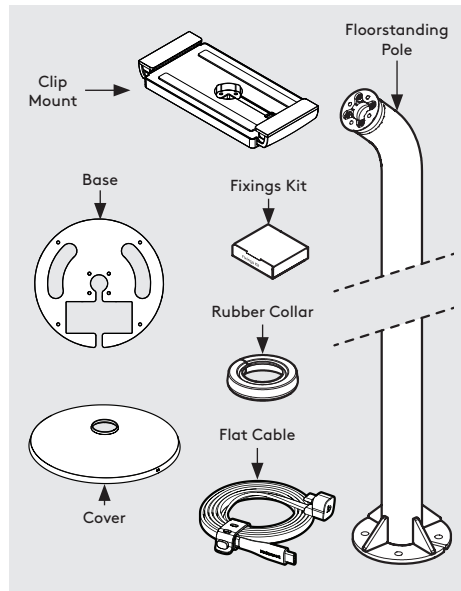
#### Tools Required:

- Socket Driver
- 10mm Spanner \*or adjustable spanner

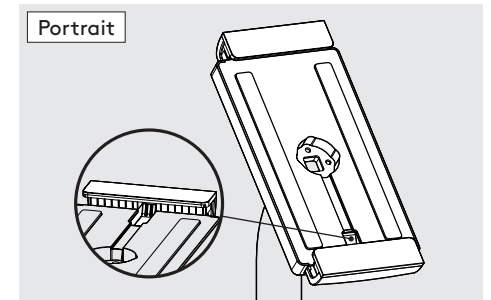
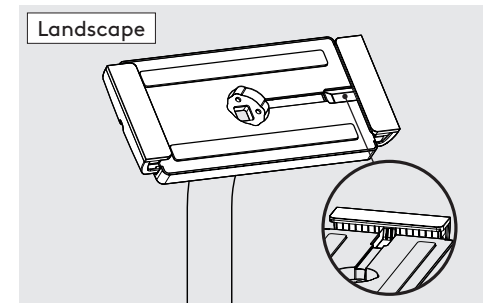
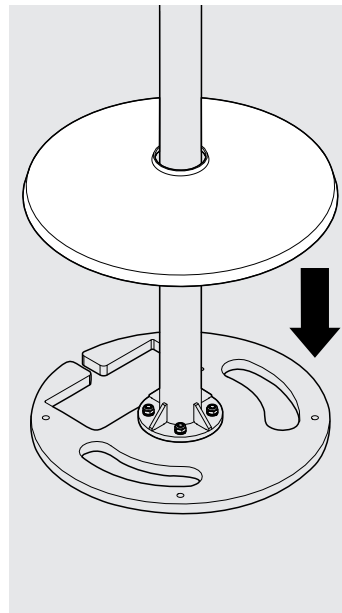
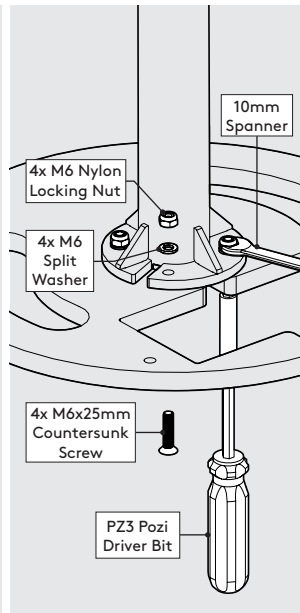
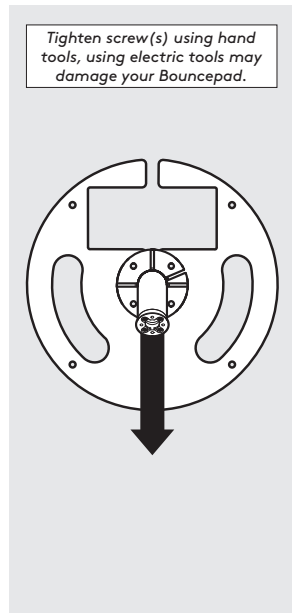
Sheet Code: BP-IM-143\_REV0

Release Date: 13/11/2025

Copyright 2025 SpotSpot Ltd. (T/A Bouncepad) all rights reserved. Confidential, no part of this publication may be reproduced or transmitted in any form without the written permission of the copyright holder.



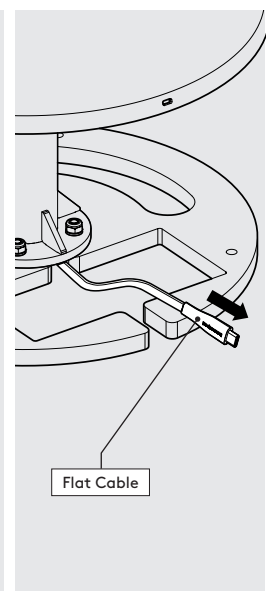
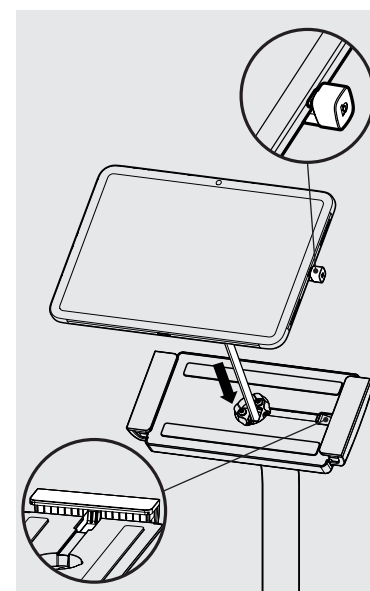
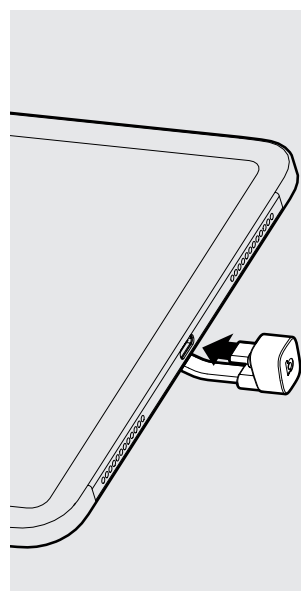
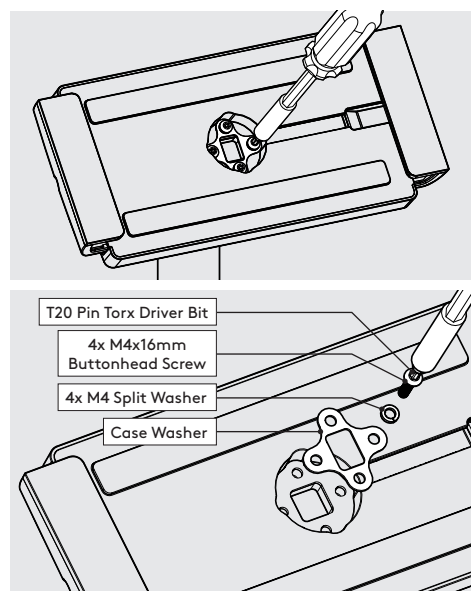
Due to the modular nature of our product range you may receive additional fixings in the fixings kit. \* Previous models may have been supplied with 20mm.



**1** Orientate, locate & secure the Floorstanding Pole to the Base as shown. Ensure that all fixings are installed correctly.

**2** Locate the Cover over the Floorstanding Pole.

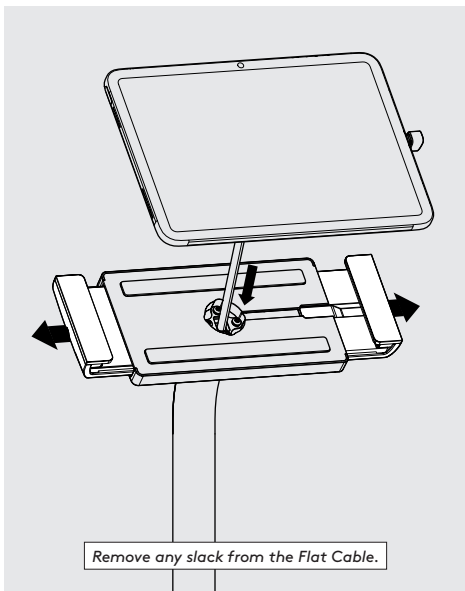
**3** Locate the Clip Mount onto the Floorstanding Pole in your chosen orientation.



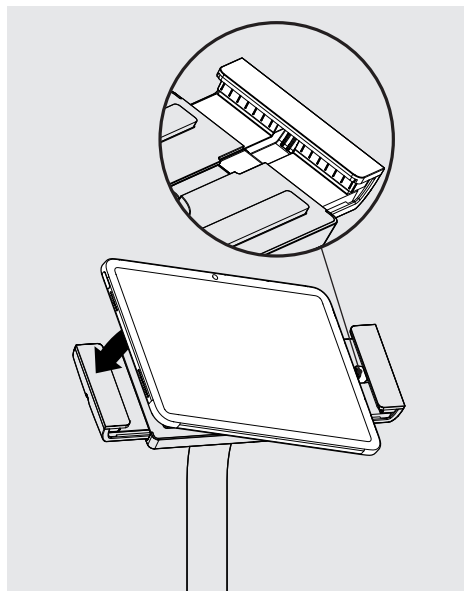
**4** Attach the Clip Mount to the Floorstanding Pole as shown.

**5** Attach the Flat Cable to the Tablet with the U-Bend Head.

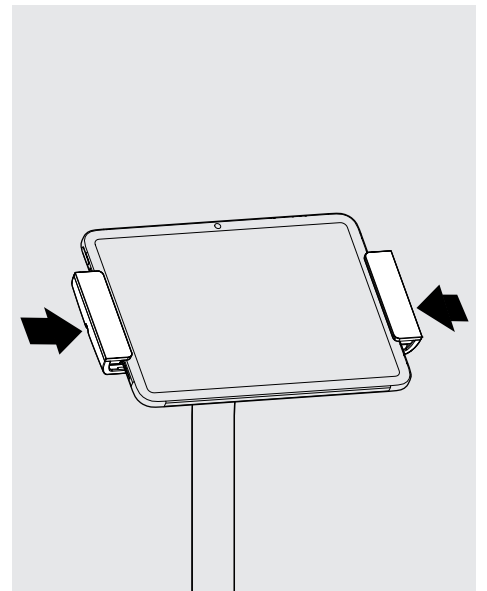
**6** Feed the Tablet's Flat Cable into the Clip Mount & Floorstanding Pole.



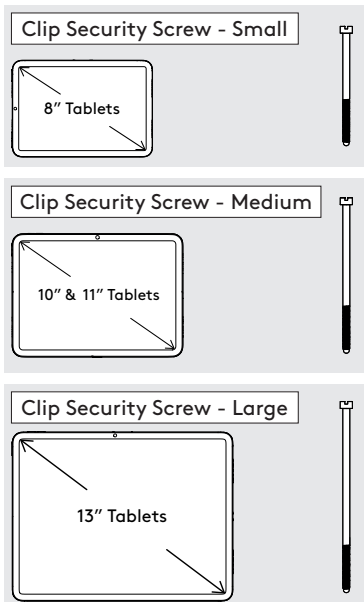
**7** Open the Clip Mount Jaws & Lower the Tablet.



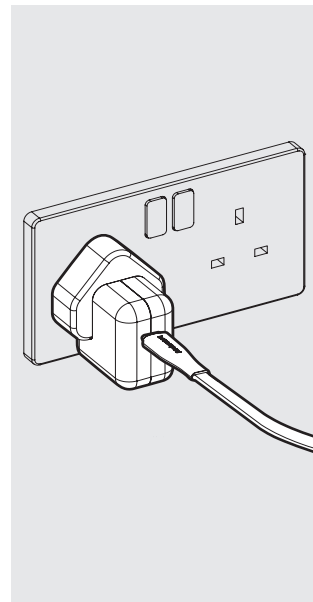
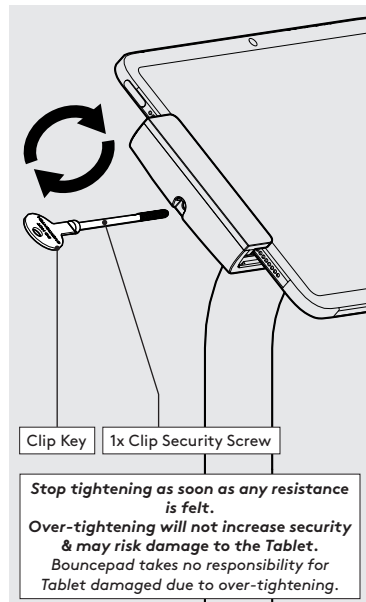
**8** Locate the Flat Cable's U-Bend Head into the slot & place the Tablet into the Clip Mount.



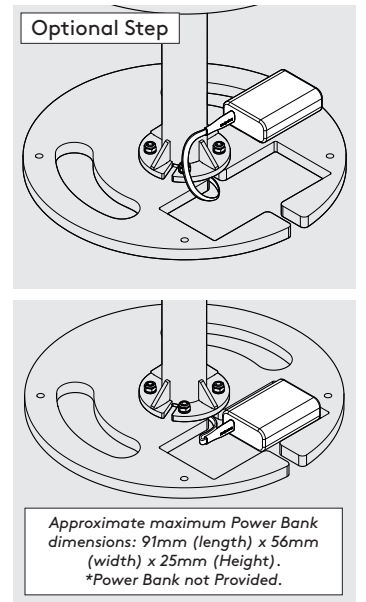
**9** Close the Clip Mount Jaws around the Tablet.



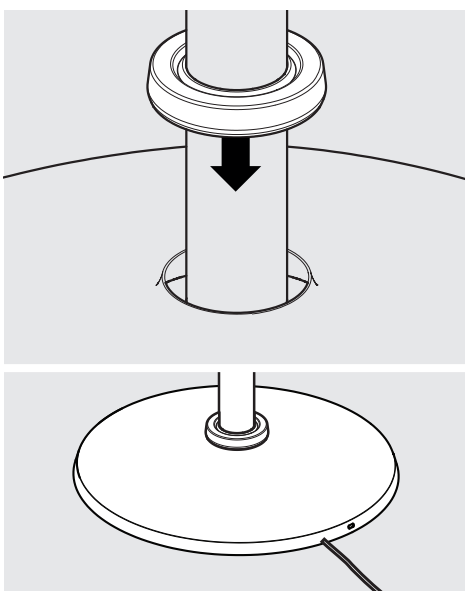
**10** Secure the Clip Mount Jaws with the correct Clip Security Screw. This must only be done using the Clip Key.



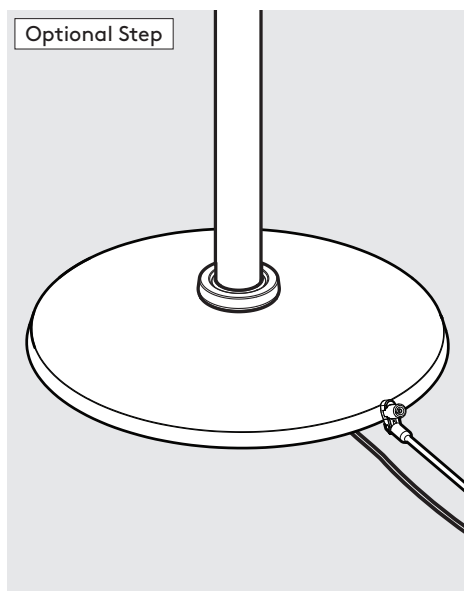
**11** Connect the Flat Cable to its mains power source.



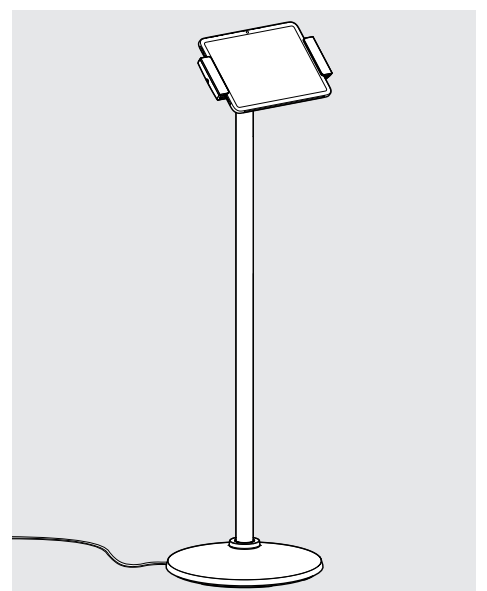
**12** If installing a Battery Pack, connect the Flat Cable & locate into the Base.



**13** With the Cover on the ground, locate & fit the Rubber Collar.



**14** Use a Kensington® Microsaver product to tether to a secure object. (refer to your Kensington® instructions for full details)



**15** Installation is now complete.