

Clip Floorstanding + Brother Printer Mount

Assembly Instructions

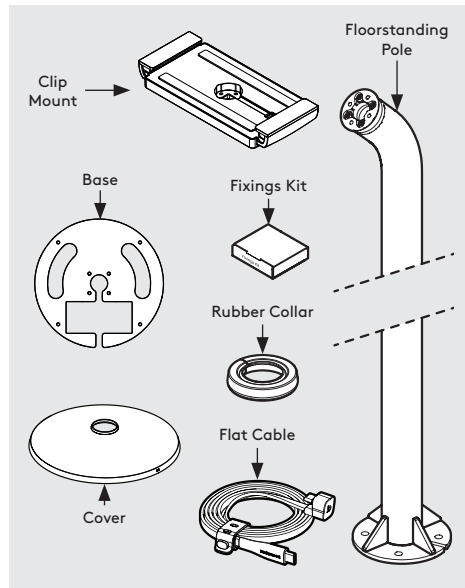
Tools Required:

- Socket Driver
- 10mm Spanner *or adjustable spanner

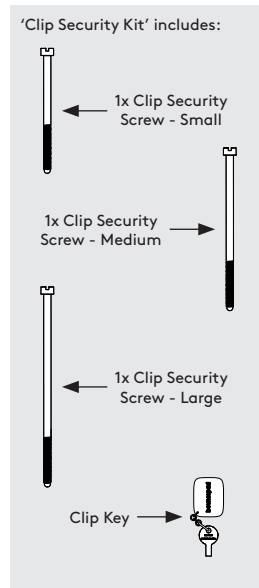
Sheet Code: BP-IM-145_REV0

Release Date: 13/10/2025

Copyright 2025 SpotSpot Ltd. (T/A Bouncepad) all rights reserved. Confidential, no part of this publication may be reproduced or transmitted in any form without the written permission of the copyright holder.

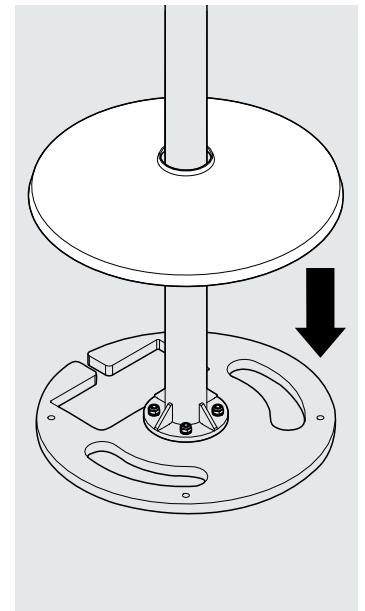
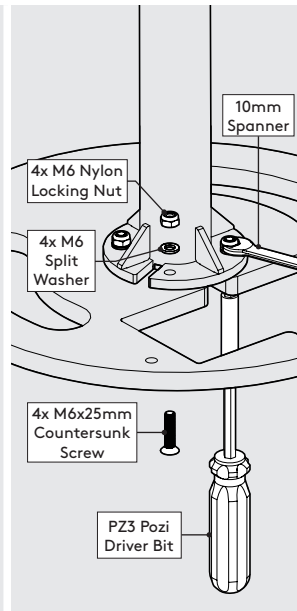
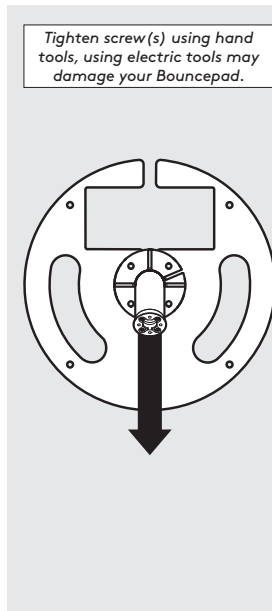
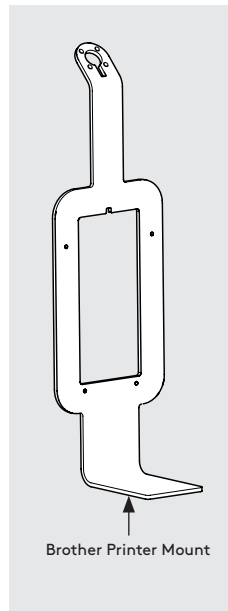
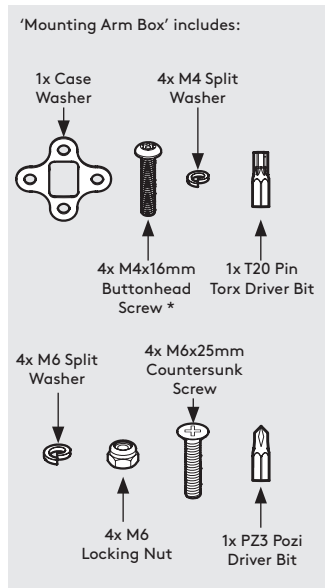


In the Box (Floorstanding)



Fixings List (Floorstanding)

Due to the modular nature of our product range you may receive additional fixings in the fixings kit. * Previous models may have been supplied with 20mm.



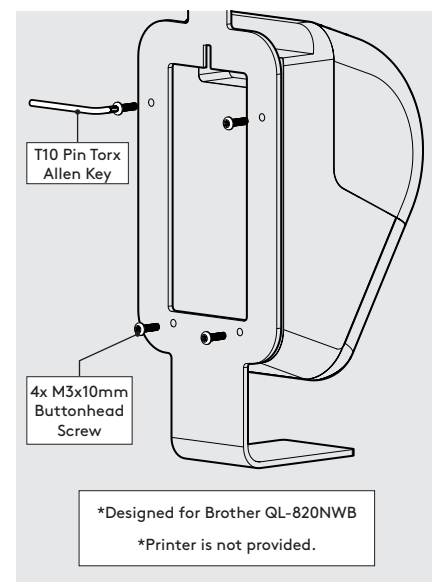
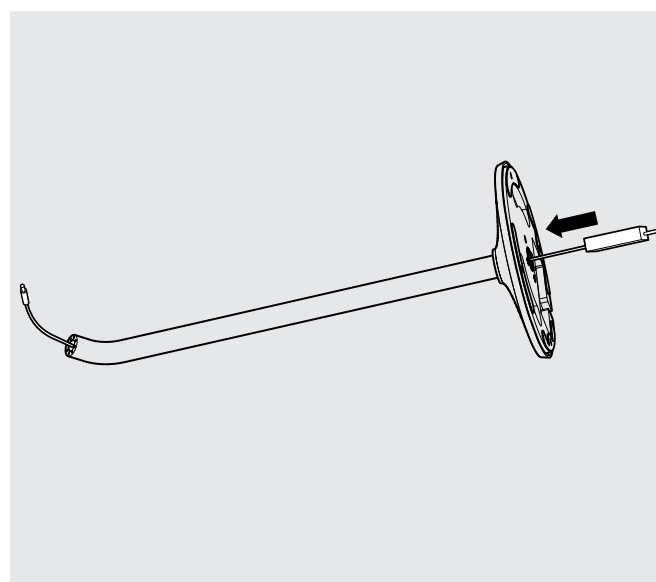
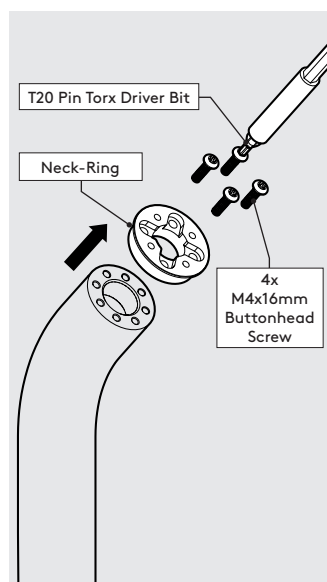
In the Box (Printer Mount)



Fixings List (Printer Mount)

1 Orientate, locate & secure the Floorstanding Pole to the Base as shown. Ensure that all fixings are installed correctly.

2 Locate the Cover over the Floorstanding Pole.

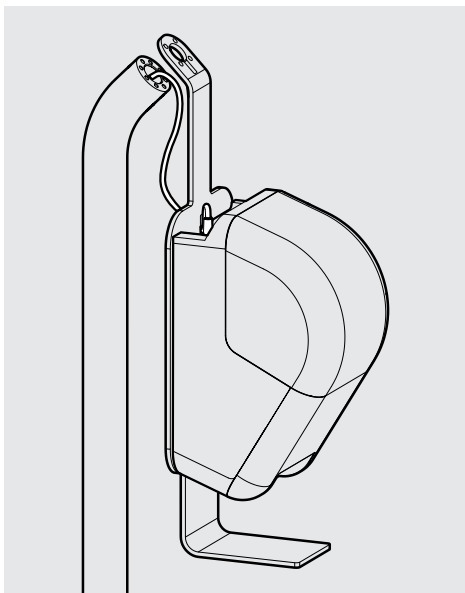


3 Remove Neck-Ring using a T20 driver bit & Socket Driver.

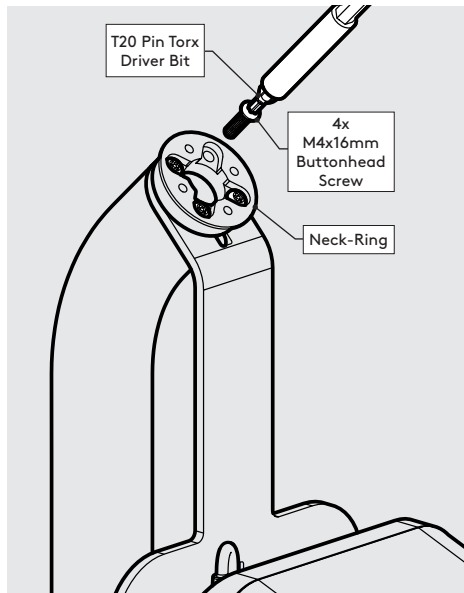
4 Feed the Printer's Power Cable through the Floorstanding Pole.

5 Attach the Printer to the Printer Mount using M3x10mm Screws

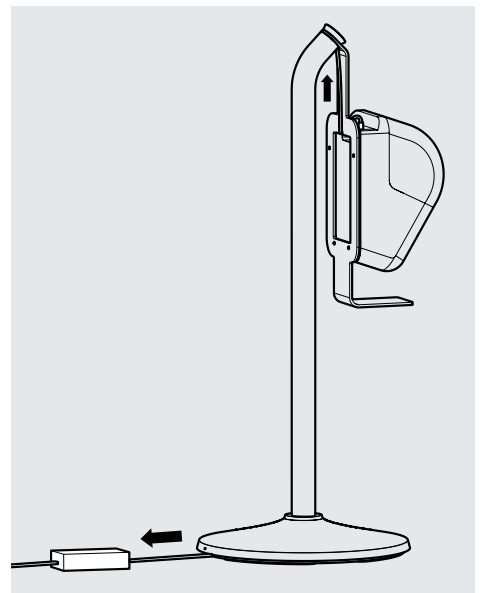
*Designed for Brother QL-820NWB
*Printer is not provided.



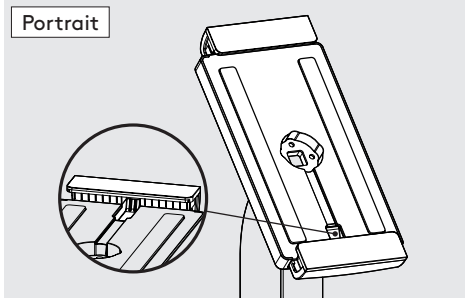
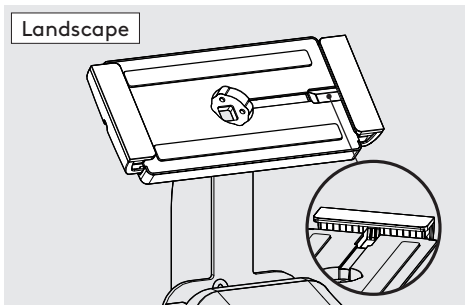
6 Feed Printer's Power Cable through Printer Mount & plug into the Printer.



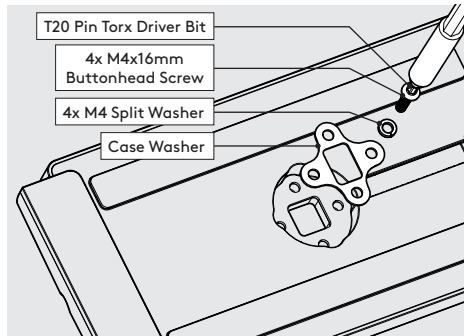
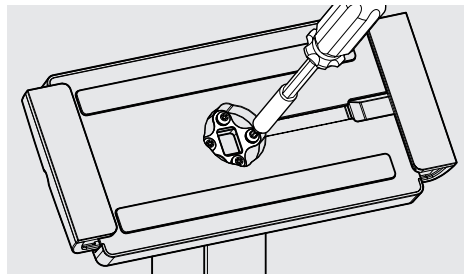
7 Re-attach Neck-Ring using the same Fixings.



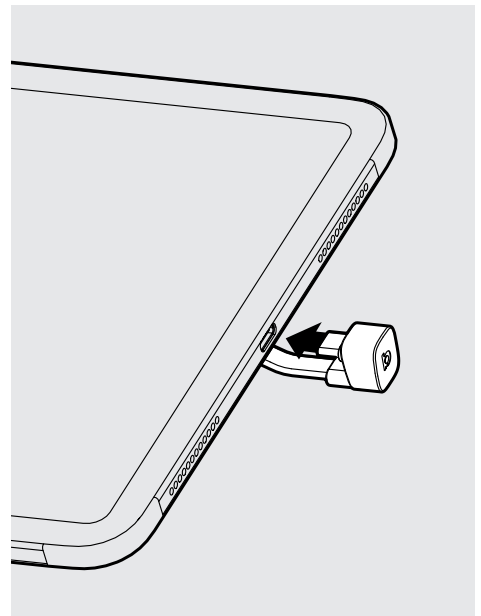
8 Pull Printer's Power Cable back to remove any slack near the Printer Mount.



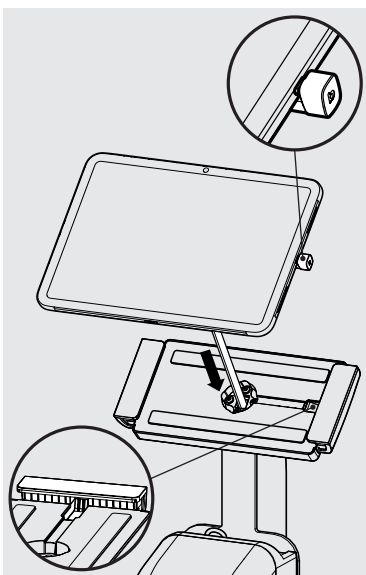
9 Locate the Clip Mount onto the Floorstanding Pole in your chosen orientation.



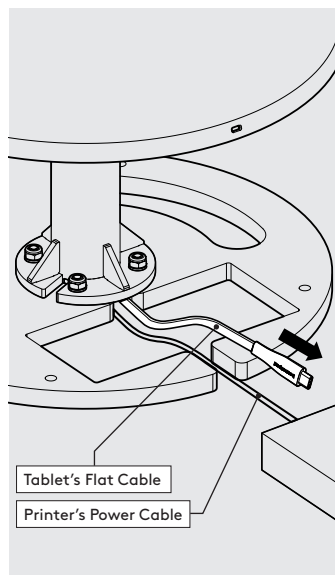
10 Attach the Clip Mount to the Floorstanding Pole as shown.



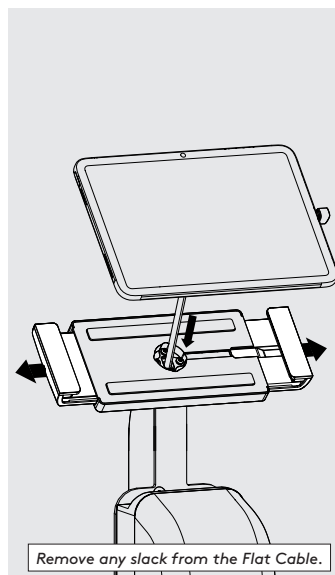
11 Attach the Tablet's Flat Cable to the Tablet with the U-Bend Head.



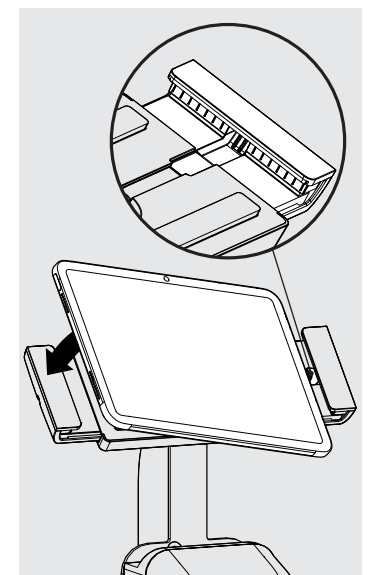
12 Feed the Tablet's Flat Cable into the Clip Mount & Floorstanding Pole.



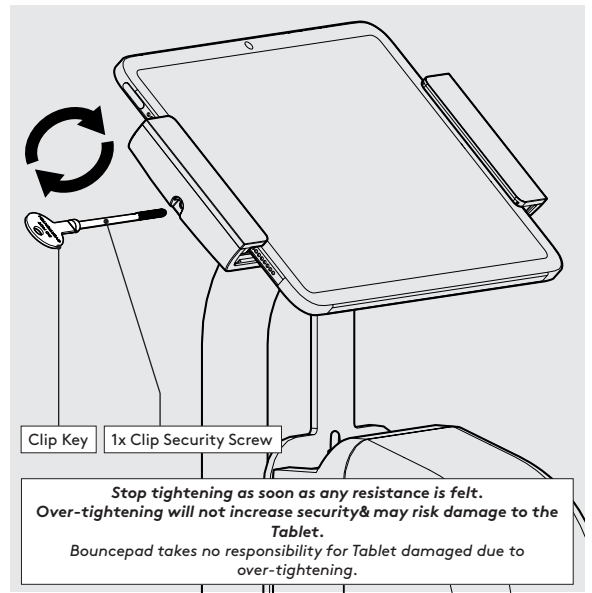
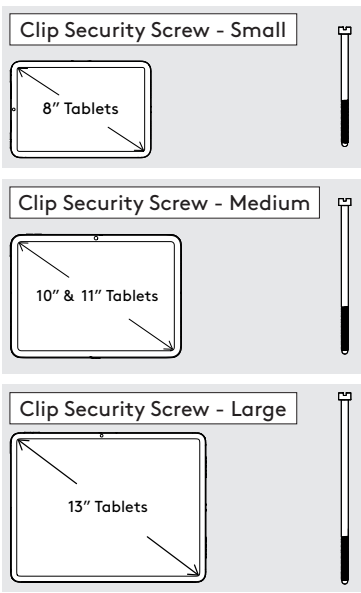
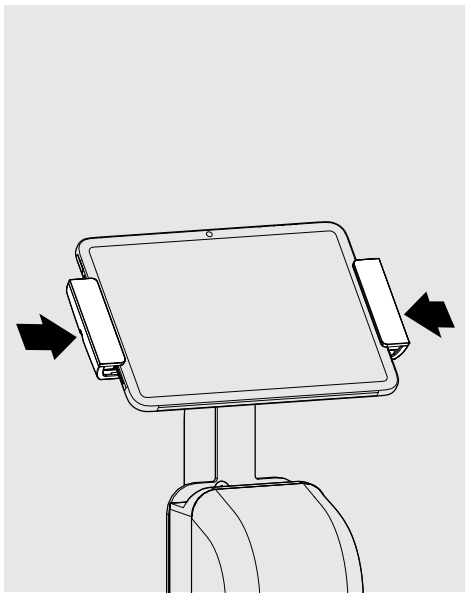
13 Open the Clip Mount Jaws & Lower the Tablet



14 Open the Clip Mount Jaws & Lower the Tablet



14 Locate the Flat Cable's U-Bend Head into the slot & place the Tablet into the Clip Mount.

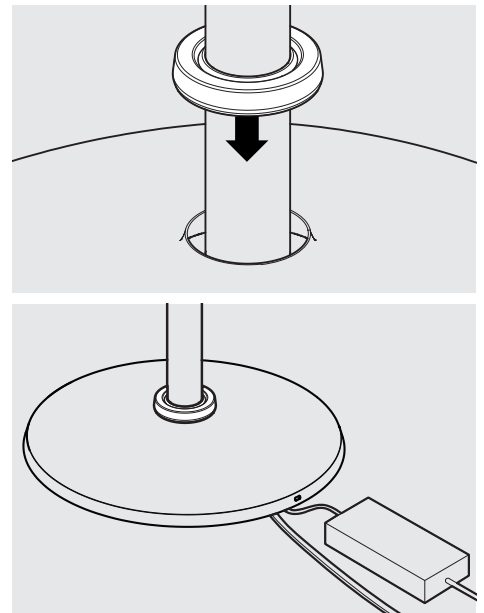
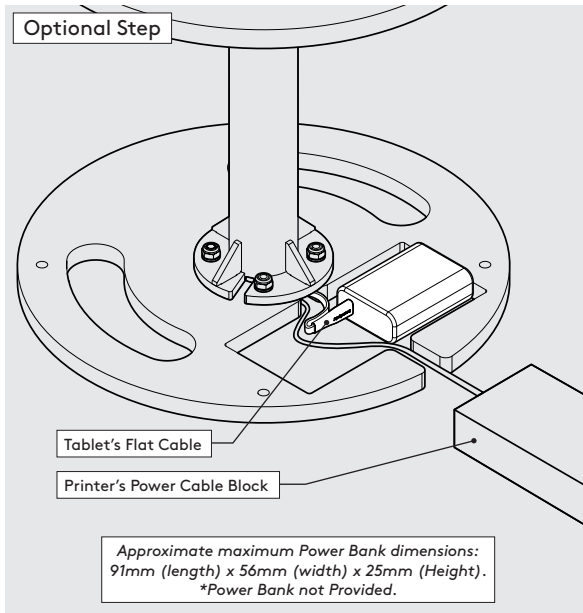
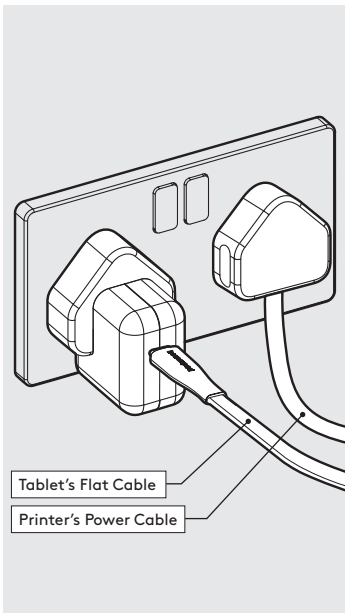


Clip Key 1x Clip Security Screw

Stop tightening as soon as any resistance is felt. Over-tightening will not increase security & may risk damage to the Tablet.
Bouncepad takes no responsibility for Tablet damaged due to over-tightening.

15 Close the Clip Mount Jaws around the Tablet.

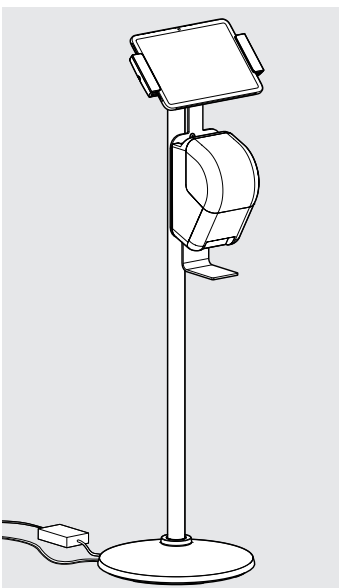
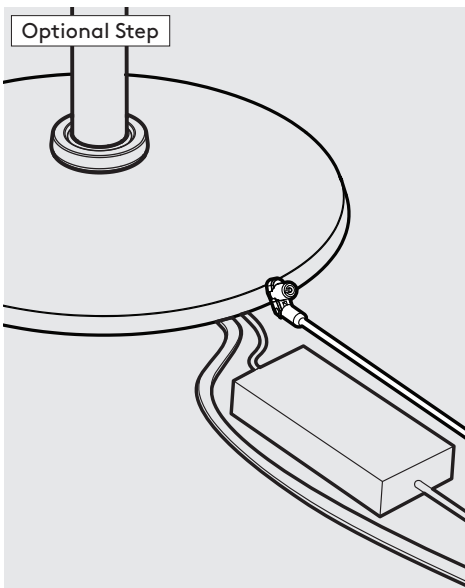
16 Secure the Clip Mount Jaws with the correct Clip Security Screw. This must only be done using the Clip Key.



17 Connect both Cables to a Mains Power Source.

18 If using a Power Bank for the Tablet, connect & locate into the Base as shown. *Note: Printer's Power Cable Block must sit outside of the Base.*

19 With the Cover on the ground, locate & fit the Rubber Collar.



20 Use a Kensington® Microsaver product to tether to a secure object. (refer to your Kensington® instructions for full details)

21 Installation is now complete.