

Clip Floorstanding Slim

Assembly Instructions

Tools Required:

- Pencil
- Socket Driver
- Drill **or adjustable spanner*
- Drillbit

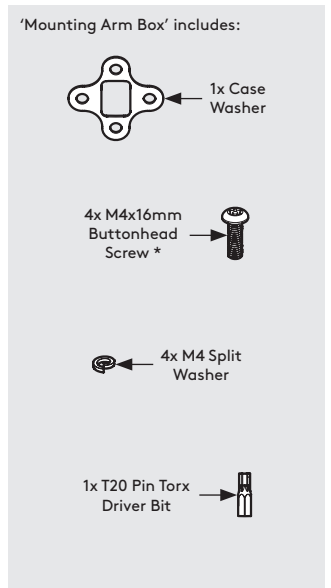
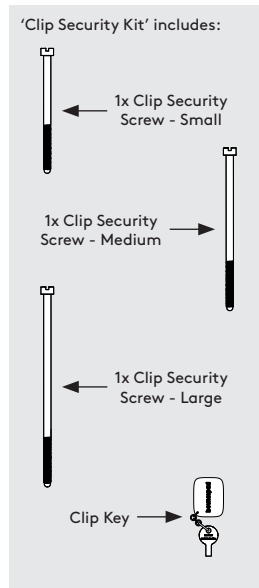
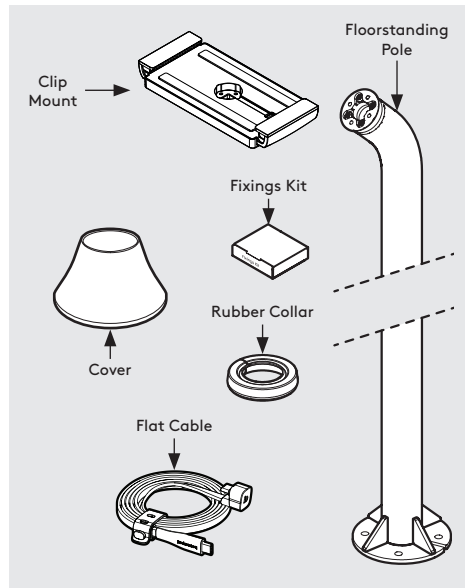
**Please note that the drillbit size & type will be determined by your chosen fixing method and material of the mounting surface. Ensure you have access to the appropriate tools to secure the Floorstanding to your mounting surface.*

**Bouncepad does not provide these fixings.*

Sheet Code: BP-IM-144_REV0

Release Date: 13/11/2025

Copyright 2025 SpotSpot Ltd. (T/A Bouncepad) all rights reserved. Confidential, no part of this publication may be reproduced or transmitted in any form without the written permission of the copyright holder.

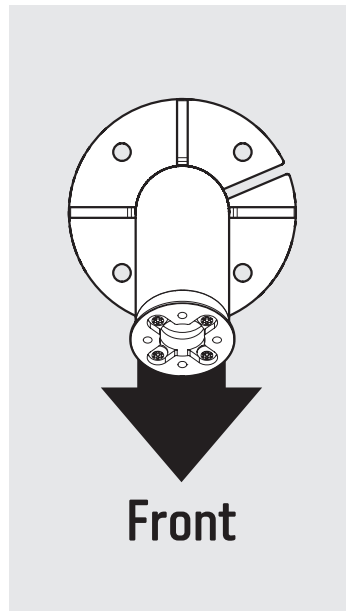


In the Box

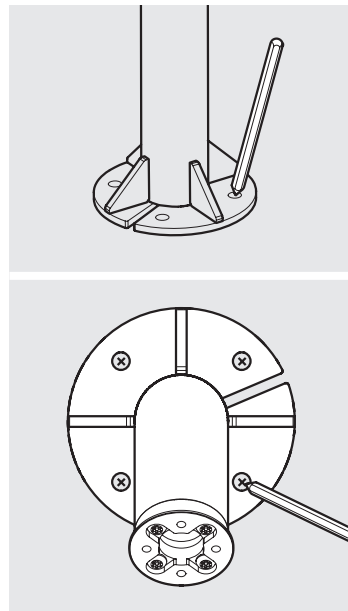


Fixings List

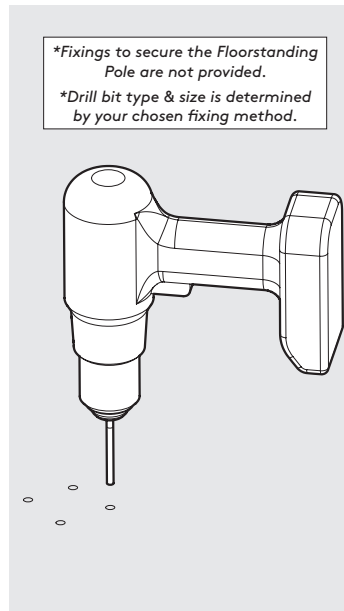
*Due to the modular nature of our product range you may receive additional fixings in the fixings kit. * Previous models may have been supplied with 20mm.*



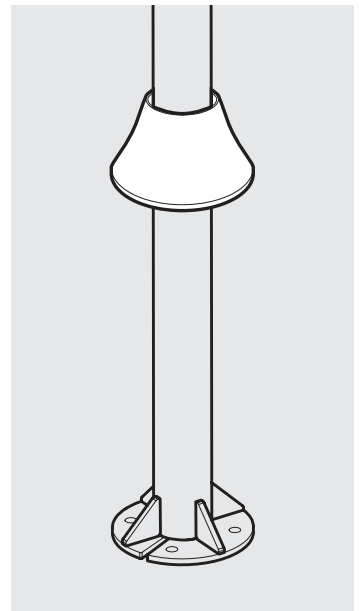
1 Position & orientate the Floorstanding Pole in the location of final install.



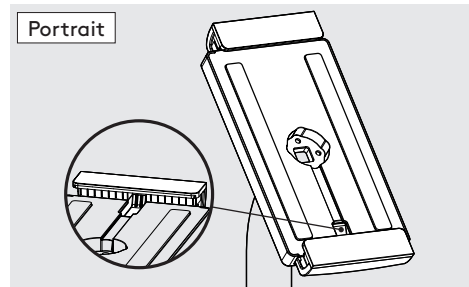
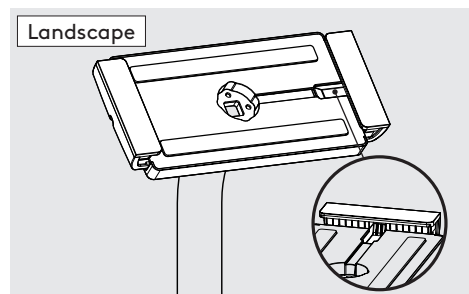
2 Mark the drill hole locations on the mounting surface.



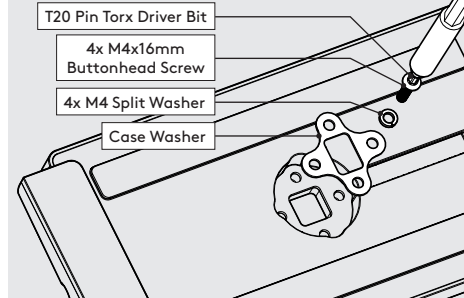
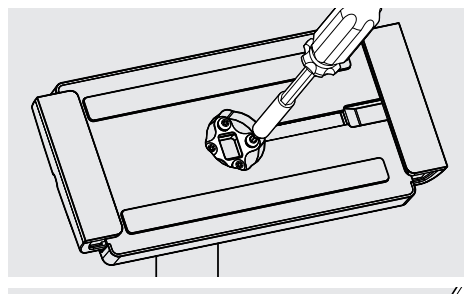
3 Drill all four fixing holes into the mounting surface.



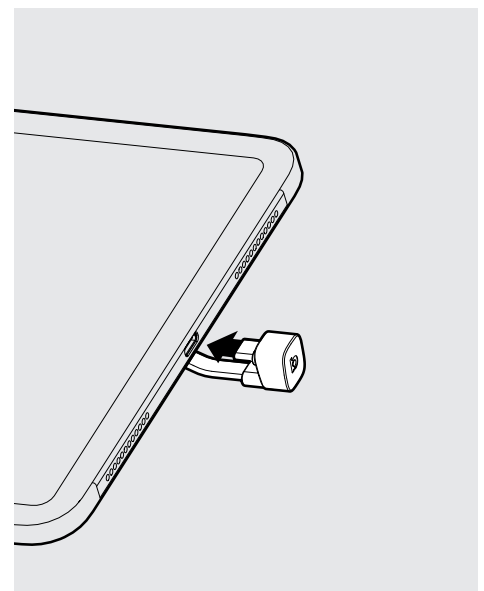
4 Locate the Cover over the Floorstanding Pole.



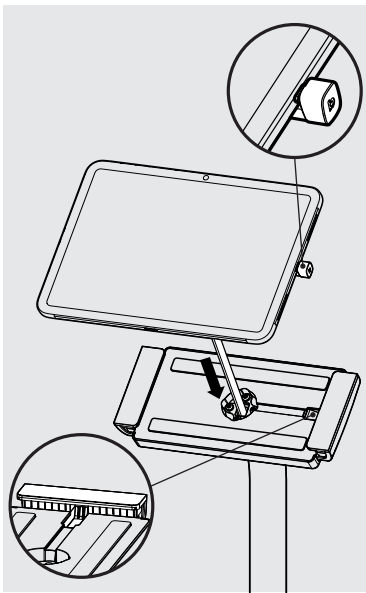
5 Locate the Clip Mount onto the Floorstanding Pole in your chosen orientation.



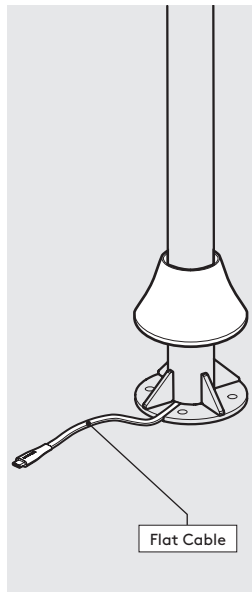
6 Attach the Clip Mount to the Floorstanding Pole as shown.



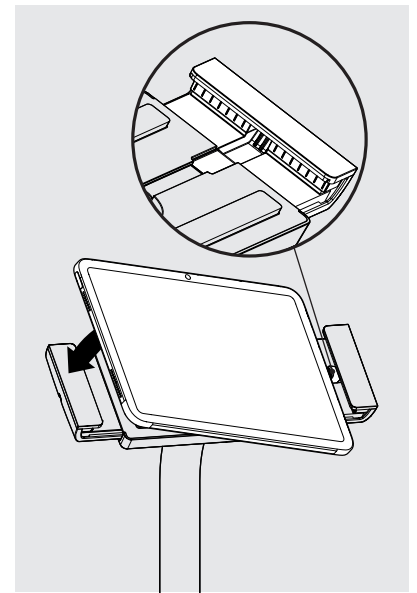
7 Attach the Flat Cable to the Tablet with the U-Bend Head.



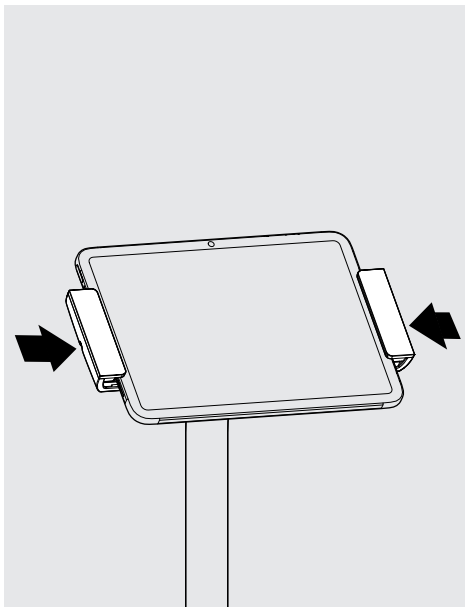
8 Feed the Tablet's Flat Cable into the Clip Mount & Floorstanding Pole.



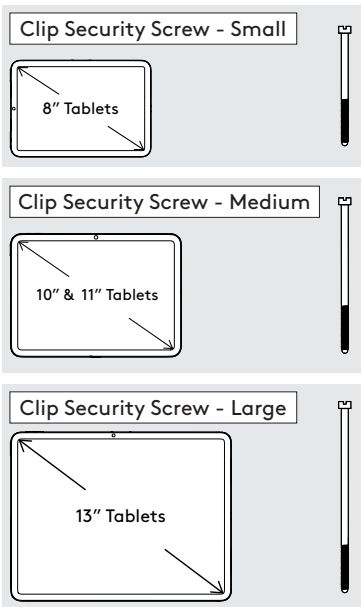
9 Open the Clip Mount Jaws & Lower the Tablet.
Remove any slack from the Flat Cable.



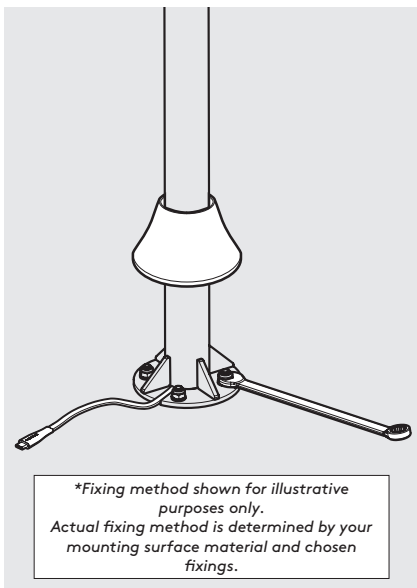
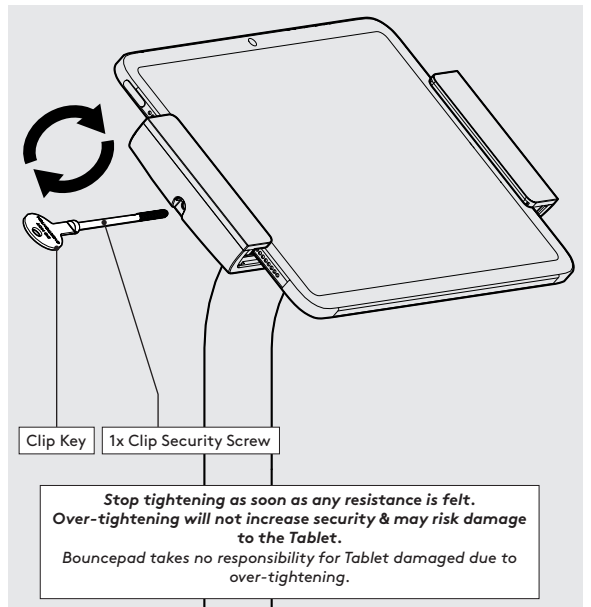
10 Locate the Flat Cable's U-Bend Head into the slot & place the Tablet into the Clip Mount.



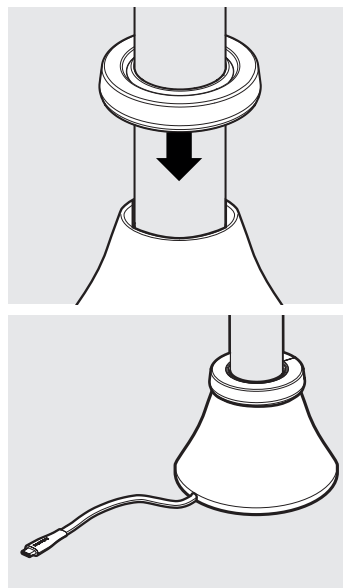
11 Close the Clip Mount Jaws around the Tablet.



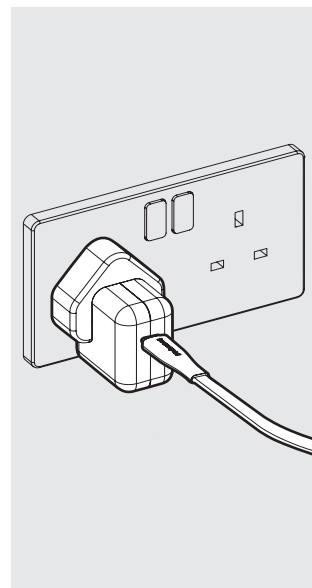
12 Secure the Clip Mount Jaws with the correct Clip Security Screw. This must only be done using the Clip Key.



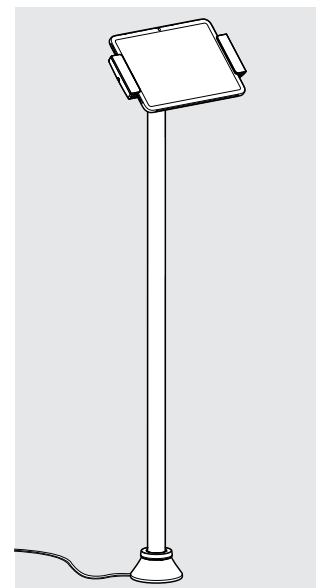
13 Secure the Floorstanding Pole to the mounting surface, using your chosen fixing method.



14 With the Cover on the ground, locate & fit the Rubber Collar.



15 Connect the Flat Cable to its mains power source.



16 Installation is now complete.