

## Clip Static 60

### Assembly Instructions

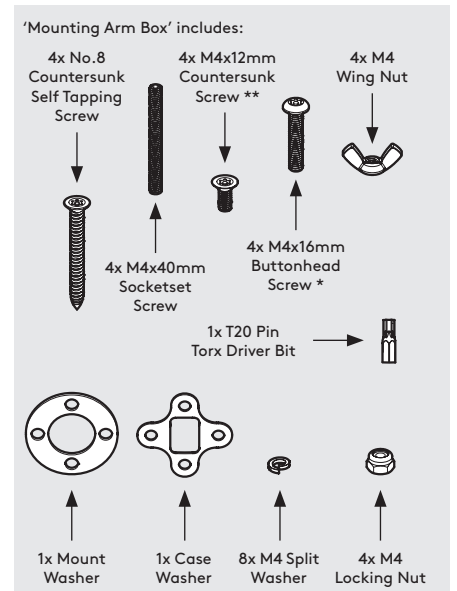
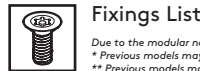
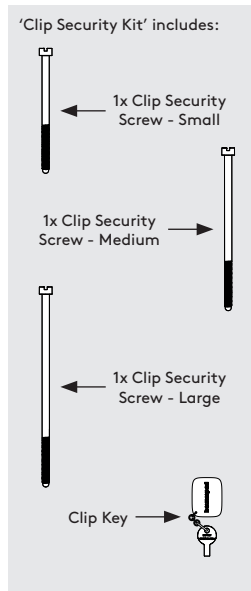
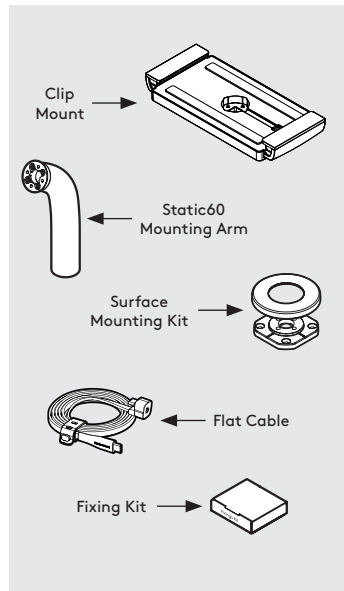
#### Tools Required:

- Pencil
- Electric Drill
- 7mm Spanner *\*or adjustable spanner*
- 5.0mm Drillbit *\*if fixing from below*
- 2.5mm Drillbit *\*if fixing from above*
- 16mm Holesaw *\*if routing the tablet cable through your mounting surface*
- Socket Driver

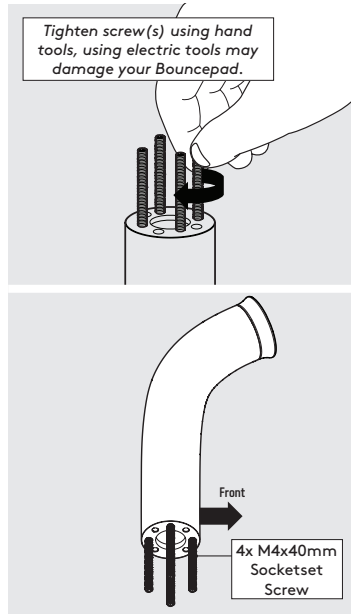
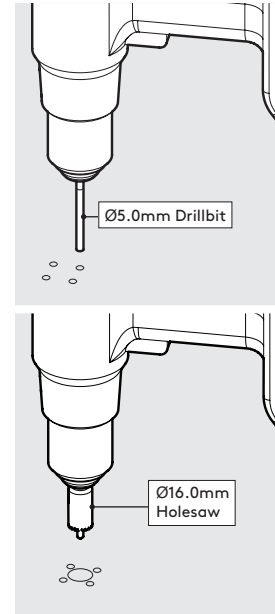
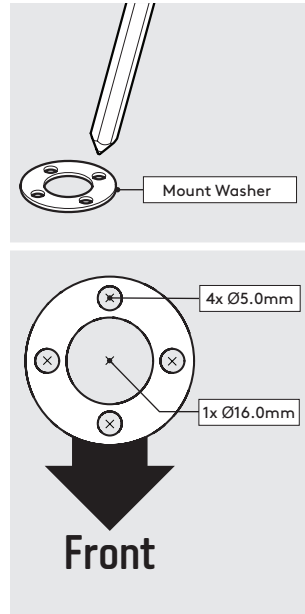
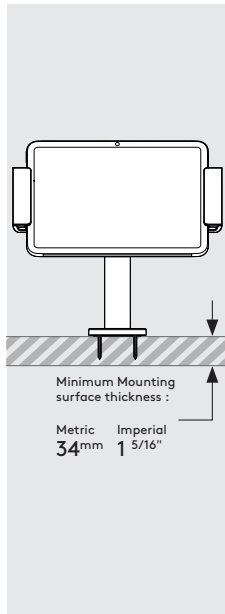
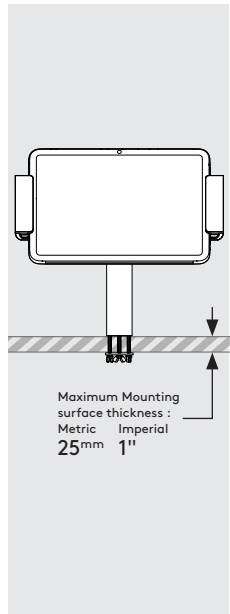
Sheet Code: BP-IM-131\_REV0

Release Date: 24/10/2025

Copyright 2025 SpotSpot Ltd. (T/A Bouncepad) all rights reserved. Confidential, no part of this publication may be reproduced or transmitted in any form without the written permission of the copyright holder.



**Fixings List**  
 Due to the modular nature of our product range you may receive additional fixings in the fixings kit.  
 \* Previous models may have been supplied with 20mm.  
 \*\* Previous models may have been supplied with 10mm.



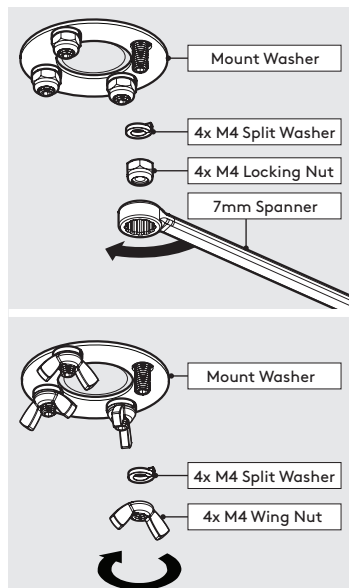
**A** Follow steps A if "Fixing from below".

**B** Follow steps B if "Fixing from Above".

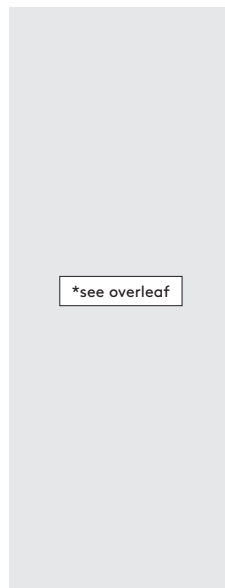
**A1** Using the Mount Washer, mark the drill hole locations.

**A2** Drill each hole - using the specified drill size.

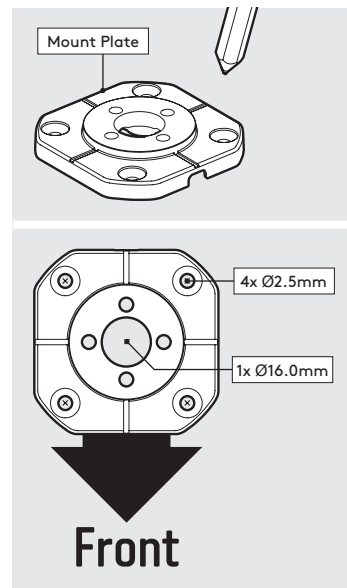
**A3** Locate & screw the Socket Screws into the Static60 as shown.



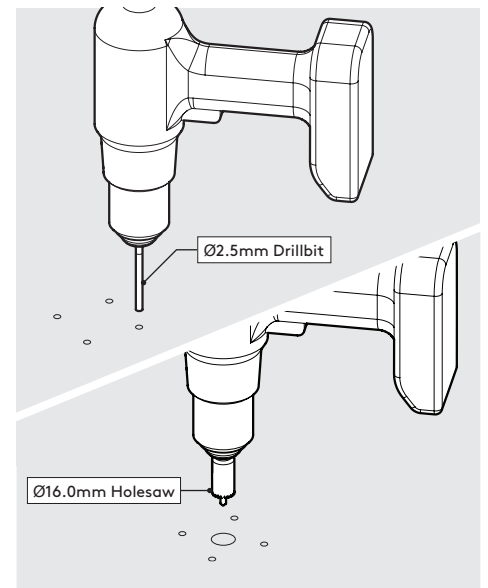
**A4** Secure the Static60 to the surface. Locking Nuts offer higher security.



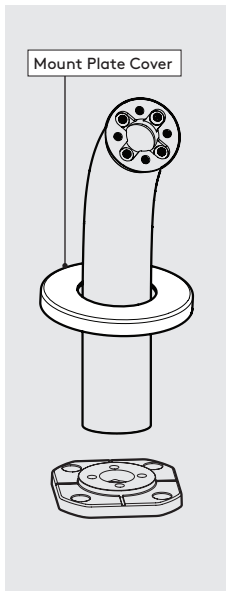
**A5** Go to step 1.



**B1** Using the Mount Plate, mark the drill hole locations as shown.

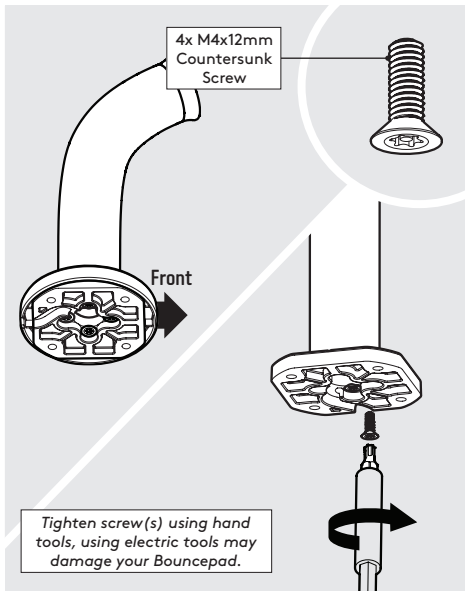


**B2** Drill each hole - using the specified drill sizes.



Mount Plate Cover

**B3** Locate the Cover onto the Static60.

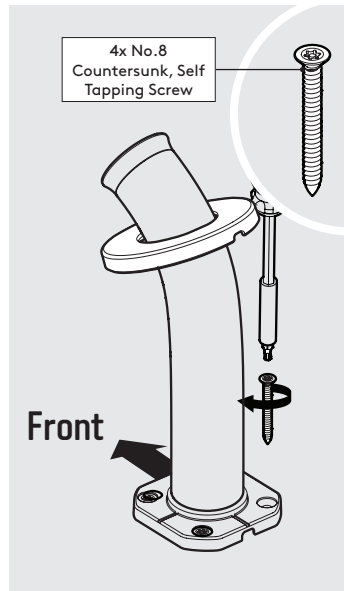


4x M4x12mm Countersunk Screw

Front

Tighten screw(s) using hand tools, using electric tools may damage your Bouncepad.

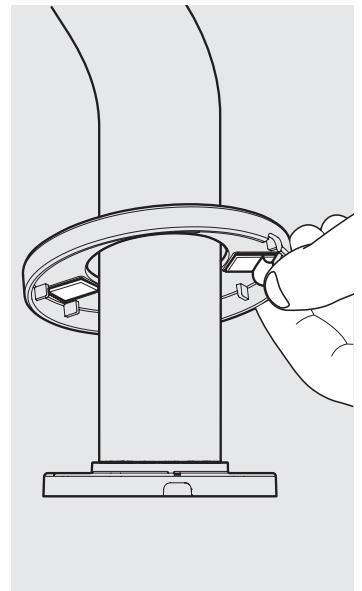
**B4** Join the Static60 & Mount Plate in the orientation shown.



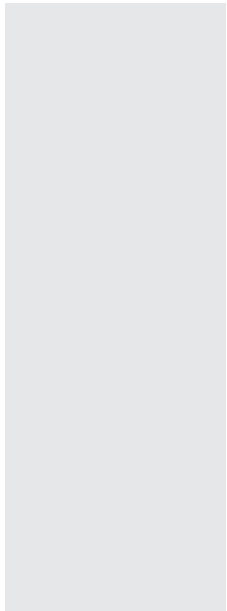
4x No.8 Countersunk, Self Tapping Screw

Front

**B5** Secure the Static60 to the surface with the 4x Countersunk Fixings.



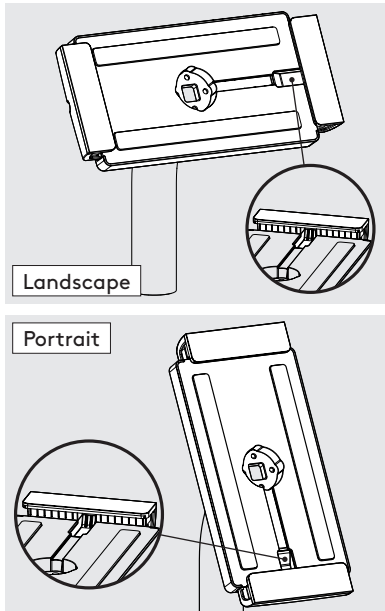
**B6** Adhere the Mount Cover onto the Mount Plate with the adhesive tabs.



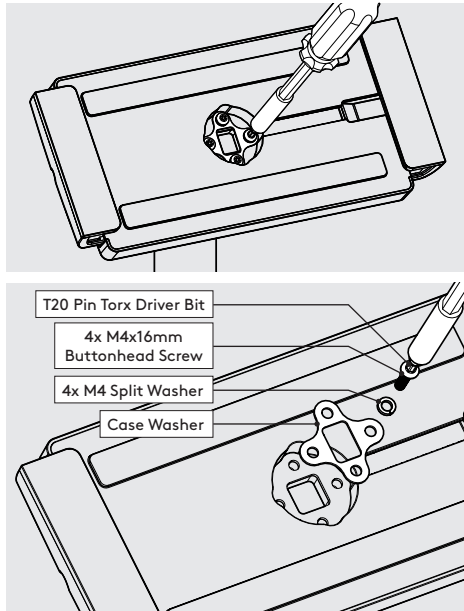
Landscape

Portrait

**B7** Go to step 1.



**1** Locate the Clip Mount onto the Static60 in your chosen orientation.



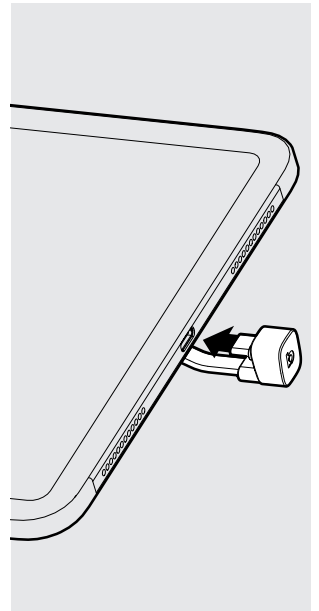
T20 Pin Torx Driver Bit

4x M4x16mm Buttonhead Screw

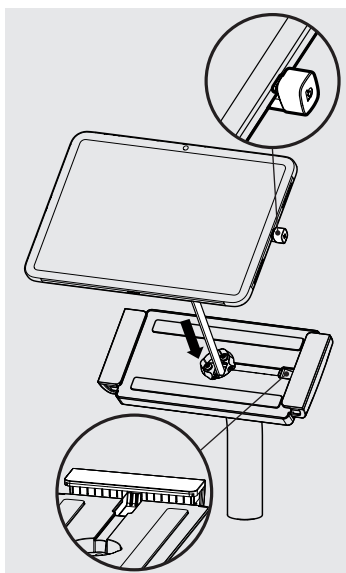
4x M4 Split Washer

Case Washer

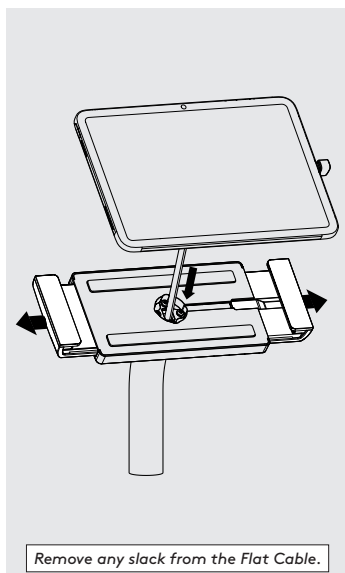
**2** Attach the Clip Mount to the Static60 as shown.



**3** Attach the Flat Cable to the Tablet with the U-Bend Head.

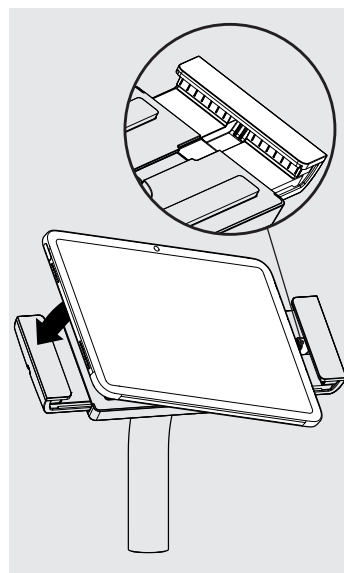


**4** Feed the Flat Cable into the assembly.

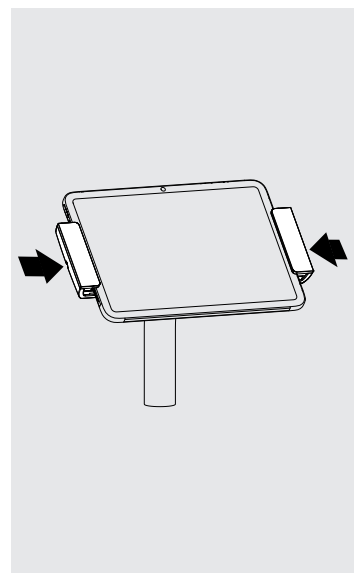


Remove any slack from the Flat Cable.

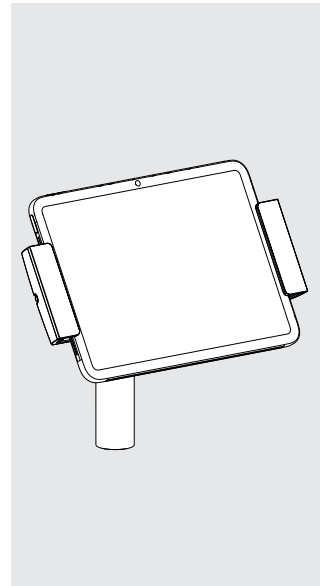
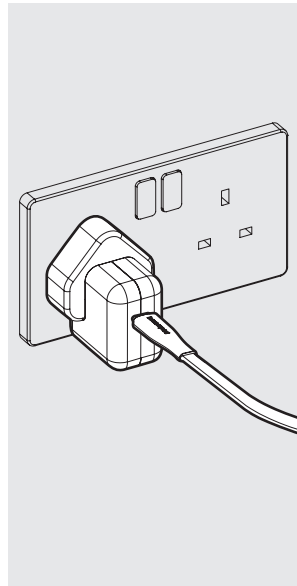
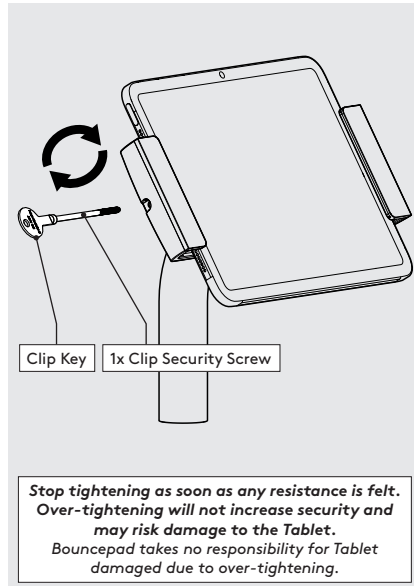
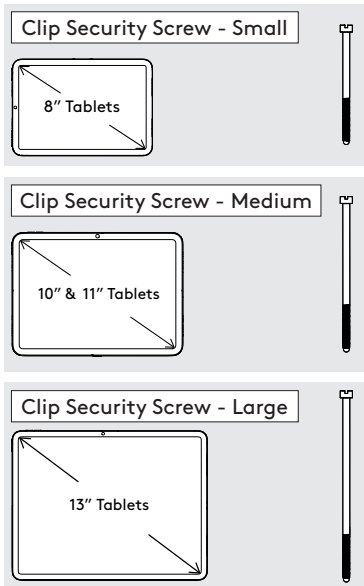
**5** Open the Clip Mount Jaws & Lower the Tablet.



Locate the Flat Cable's U-Bend Head into the slot & place the Tablet into the Clip Mount.



**7** Close the Clip Mount Jaws around the Tablet.



**8** Secure the Clip Mount Jaws with the correct Clip Security Screw. This must only be done using the Clip Key.

**9** Connect the Flat Cable to a Mains Power Source.

**10** Installation is now complete.