

Clip Swivel 60

Assembly Instructions

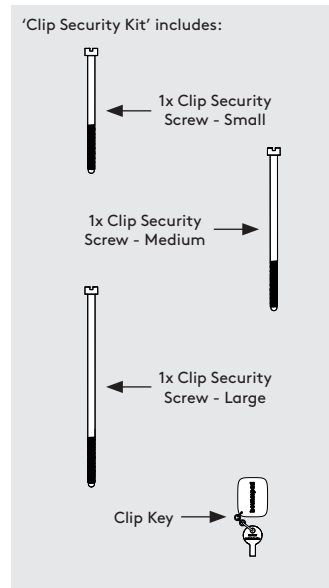
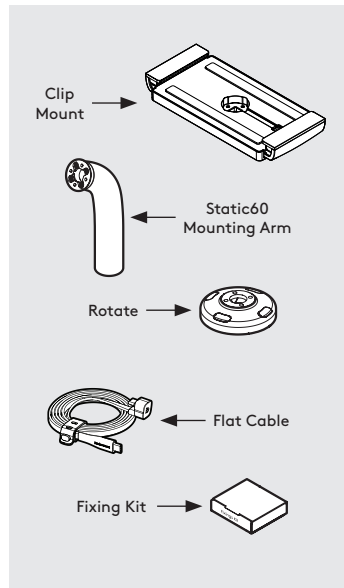
Tools Required:

- Pencil
- Electric Drill
- 7mm Spanner **or adjustable spanner*
- 5.0mm Drillbit **if fixing from below*
- 2.5mm Drillbit **if fixing from above*
- 16mm Holesaw **if routing the tablet cable through your mounting surface*
- Socket Driver

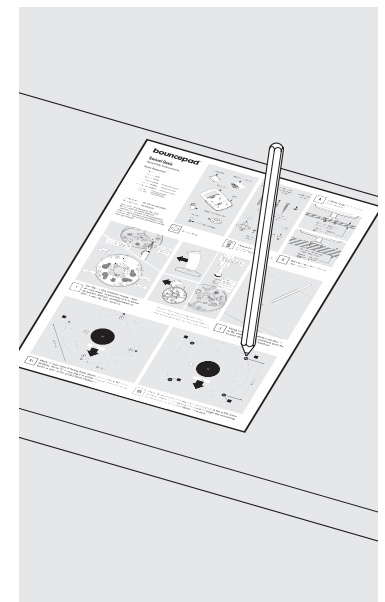
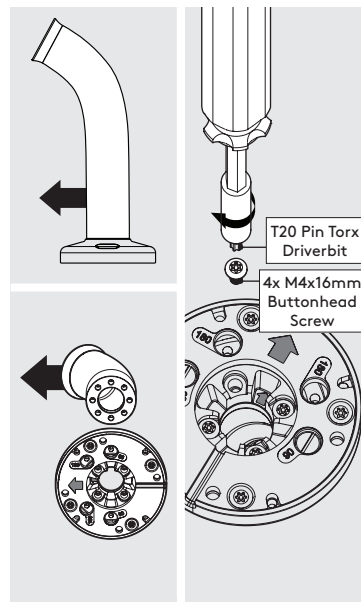
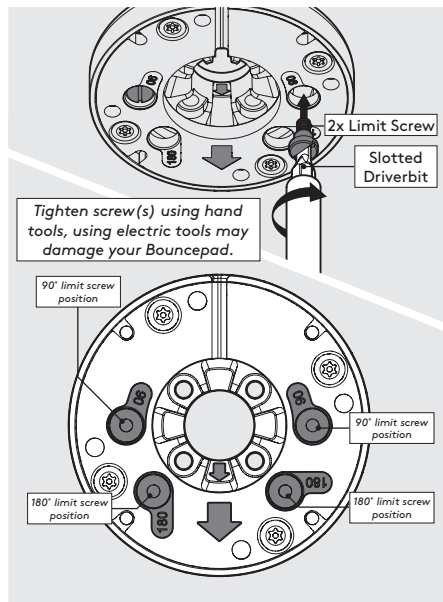
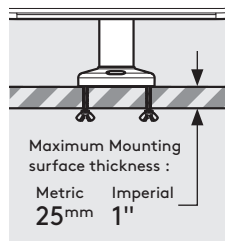
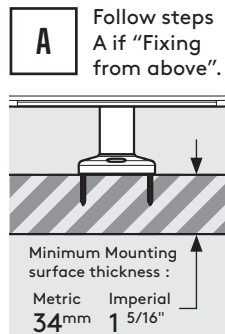
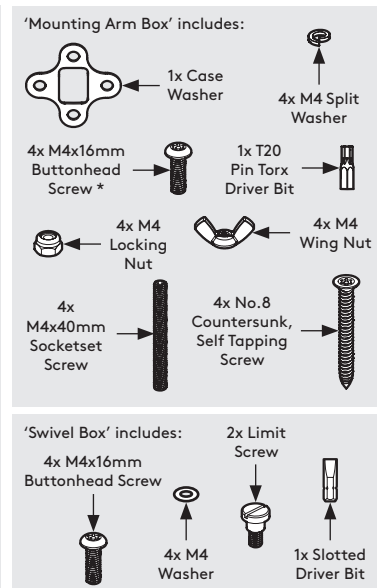
Sheet Code: BP-IM-141_REV0

Release Date: 12/10/2025

Copyright 2025 SpotSpot Ltd. (T/A Bouncepad) all rights reserved. Confidential, no part of this publication may be reproduced or transmitted in any form without the written permission of the copyright holder.



Due to the modular nature of our product range you may receive additional fixings in the fixings kit. * Previous models may have been supplied with 20mm.

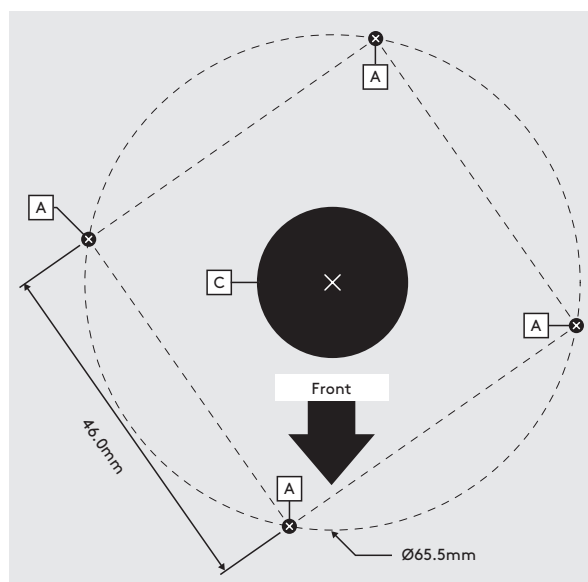


B Follow steps B if "Fixing from below".

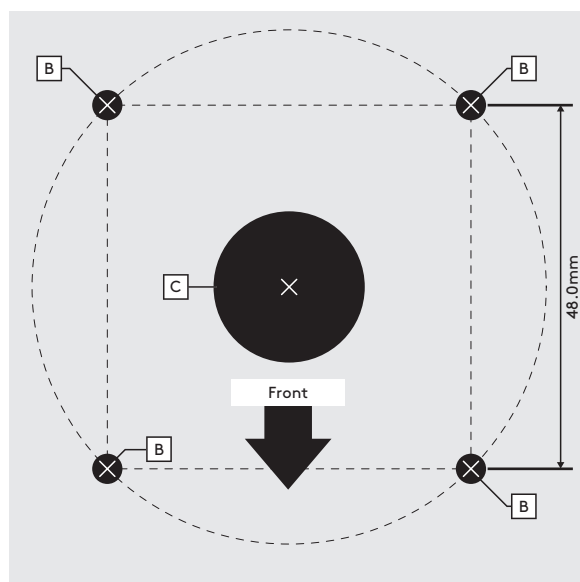
1 Configure the rotation range - both arrows must point in the same direction. Default configuration is 270°. Insert 2x Limit Screws.

2 Attach the Static60. The Static60 must lean forward in the same direction as the two arrows.

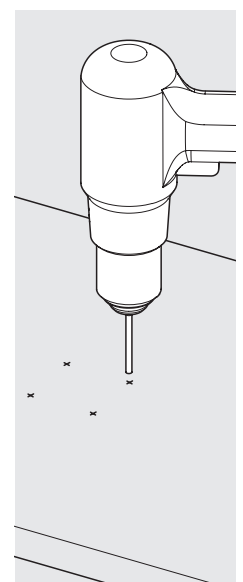
3 Using the hole template (see step A or B), mark the hole positions specific to your chosen fixing method.



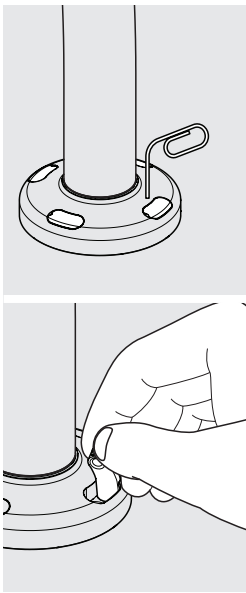
A1 Mark 'A' positions for "Fixing from above" (Ø2.5mm drillbit). Mark 'C' for the cable hole. (Ø20.0mm Holesaw).



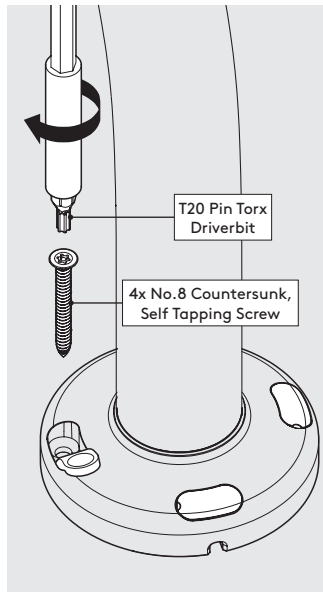
B1 Mark 'B' positions for "Fixing from below" (Ø5.0mm drillbit). Mark 'C' for routing the cable hole. (Ø20.0mm Holesaw).



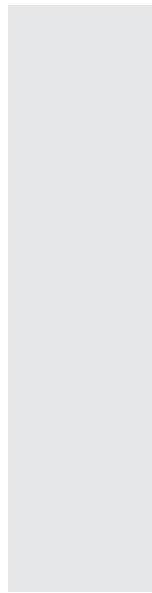
4 Drill the required holes.



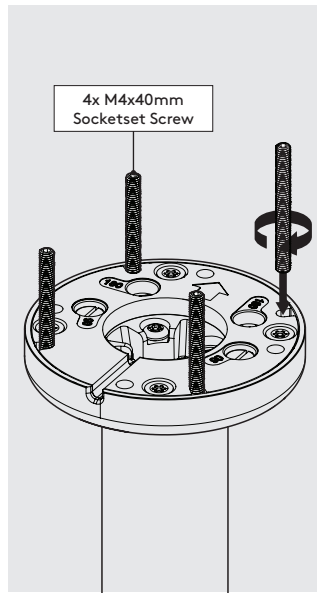
A2 Lift & hold the Rubber Screw Covers.



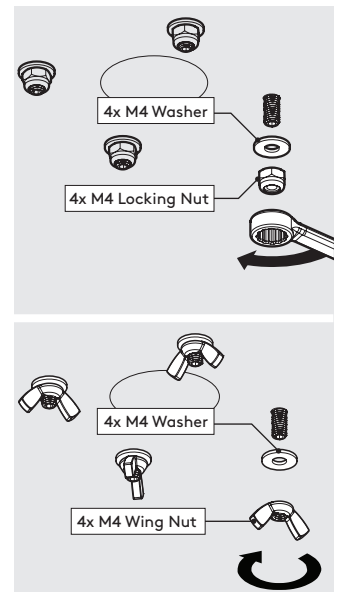
A3 Secure the Rotate to the mounting surface, then close the Covers.



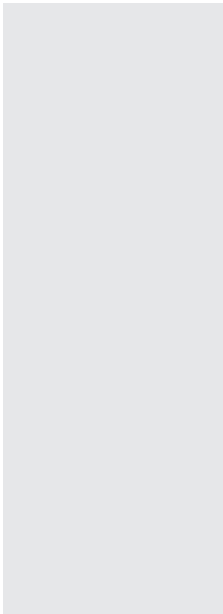
A4 Go to step 5



B2 Screw in the 4x Socket Screws. Ensure full thread engagement.

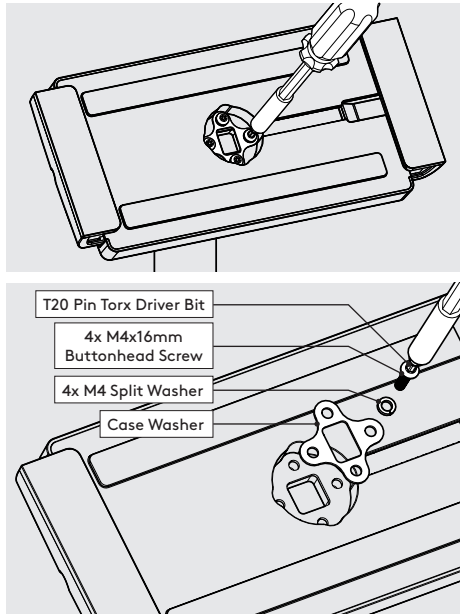


B3 Secure to the surface. Locking Nuts offer greater security.

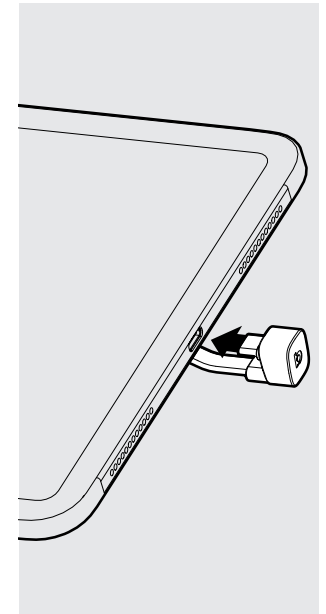


Landscape

Portrait



T20 Pin Torx Driver Bit
4x M4x16mm Buttonhead Screw
4x M4 Split Washer
Case Washer

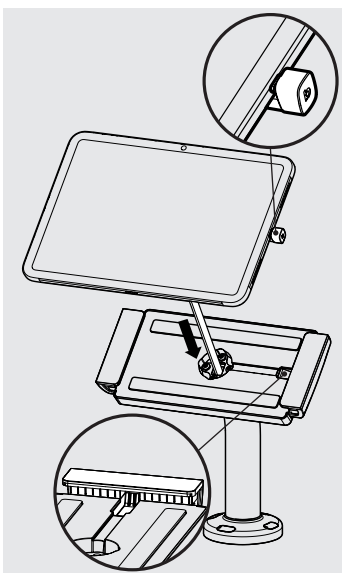


B4 Go to step 1.

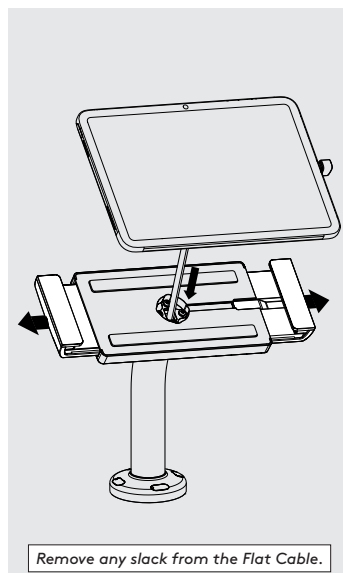
5 Locate the Clip Mount onto the Static60 in your chosen orientation.

6 Attach the Clip Mount to the Static60 as shown.

7 Attach the Flat Cable to the Tablet with the U-Bend Head.

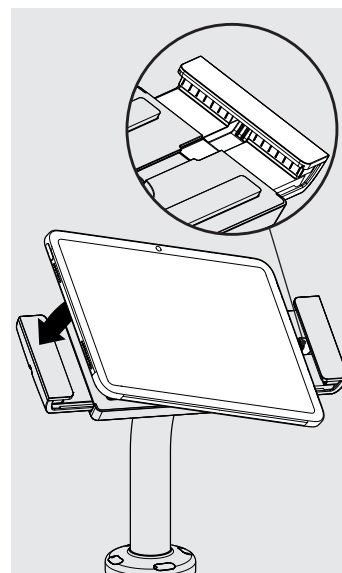


8 Feed the Flat Cable into the Assembly.

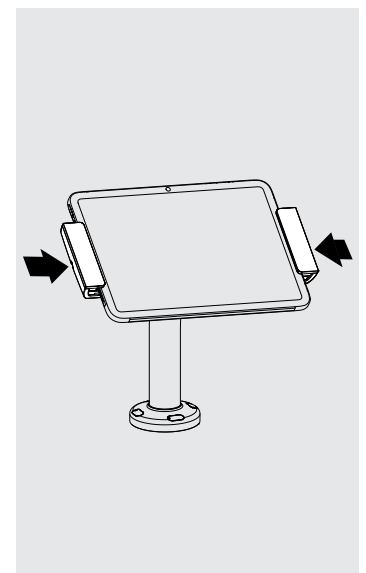


Remove any slack from the Flat Cable.

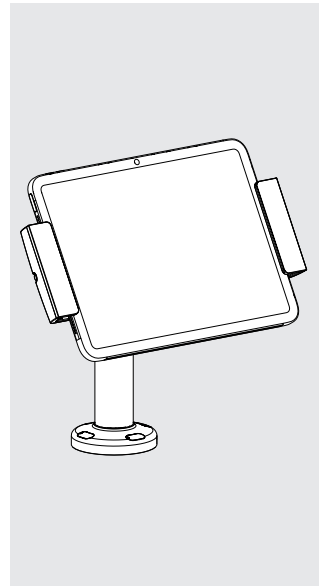
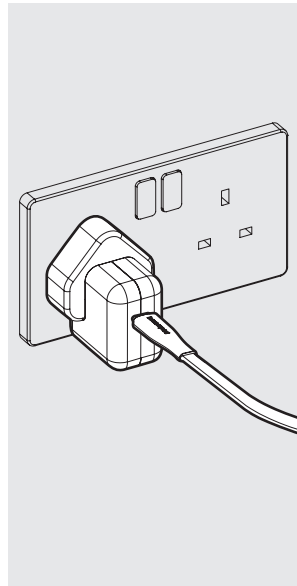
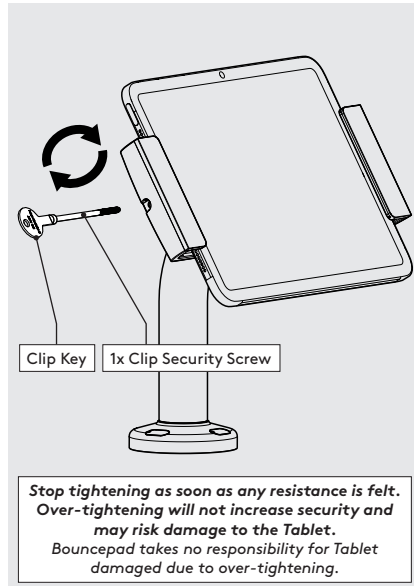
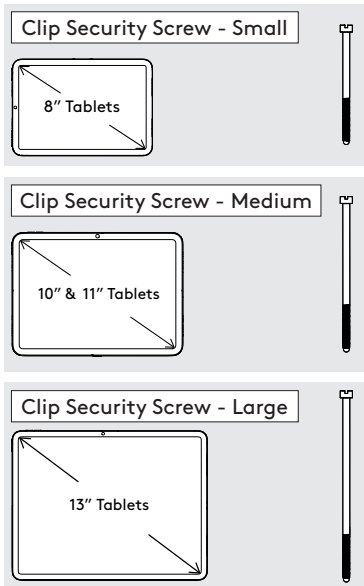
9 Open the Clip Mount Jaws & Lower the Tablet.



10 Locate the Flat Cable's U-Bend Head into the slot & place the Tablet into the Clip Mount.



11 Close the Clip Mount Jaws around the Tablet.



12 Secure the Clip Mount Jaws with the correct Clip Security Screw. This must only be done using the Clip Key.

13 Connect the Flat Cable to a Mains Power Source.

14 Installation is now complete.