

Clip VESA

Assembly Instructions

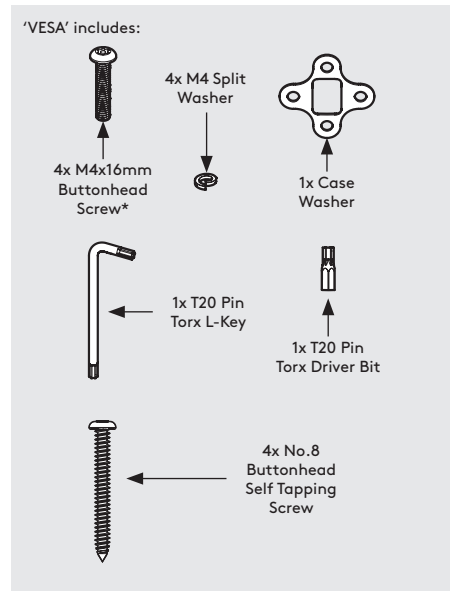
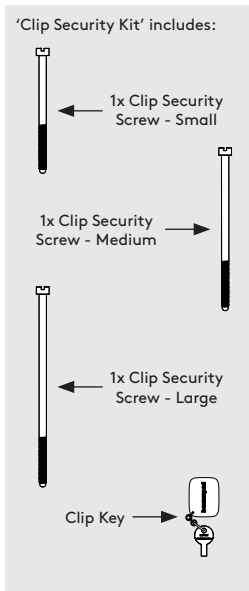
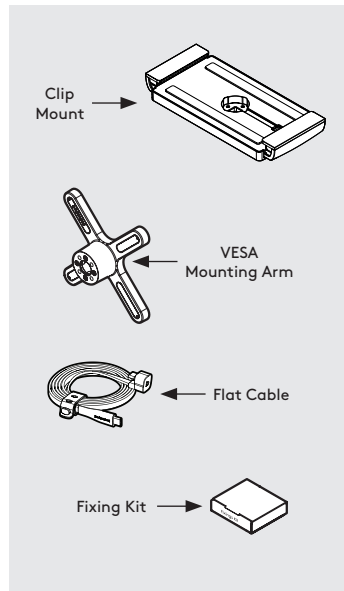
Tools Required:

- Pencil
- Electric Drill
- 2.5mm Drill Bit **if fixing to a surface*
- Socket Driver
- 16mm Holesaw **if routing the tablet cable through your mounting surface*

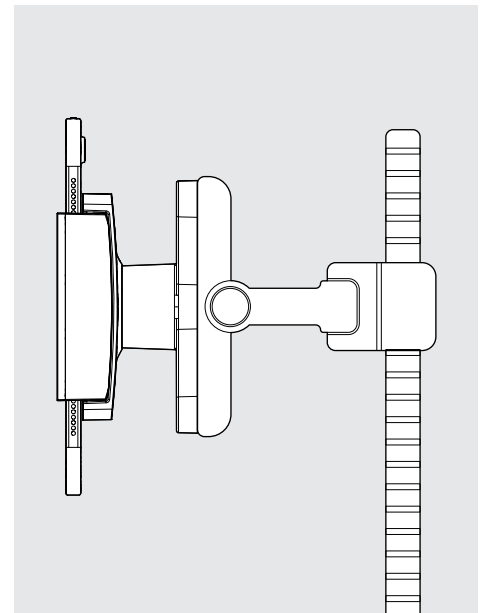
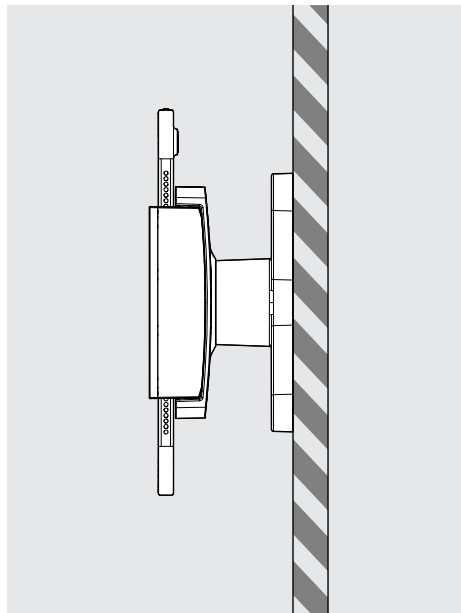
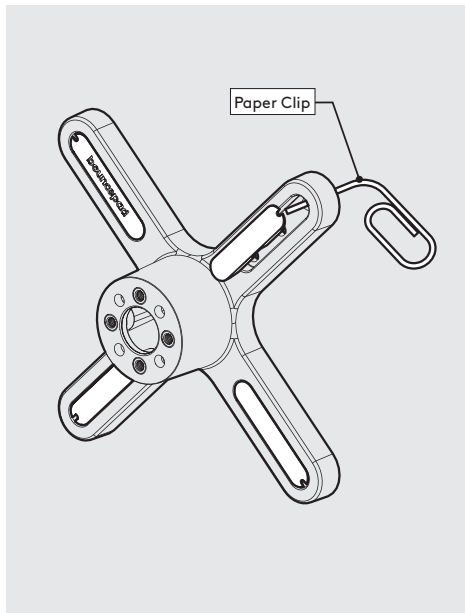
Sheet Code: BP-IM-136_REV1

Release Date: 20/02/2025

Copyright 2026 SpotSpot Ltd. (T/A Bouncepad) all rights reserved. Confidential, no part of this publication may be reproduced or transmitted in any form without the written permission of the copyright holder.



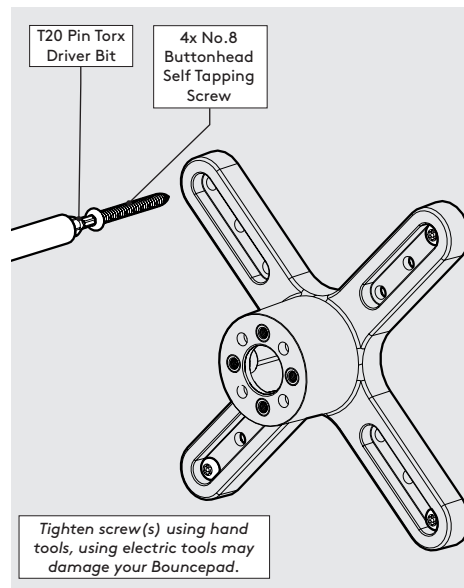
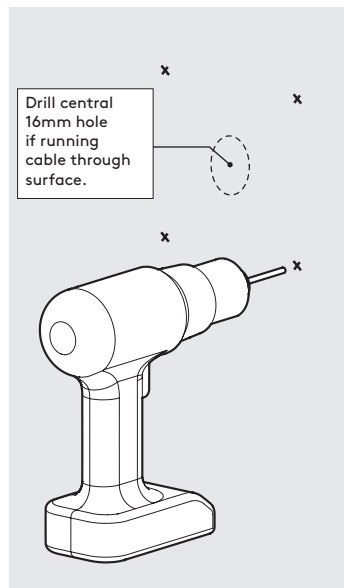
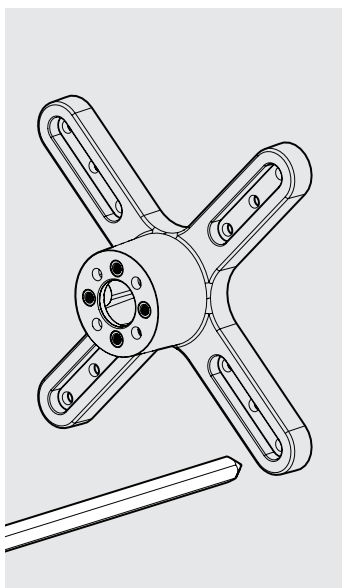
Due to the modular nature of our product range you may receive additional fixings in the fixings kit. * Previous models may have been supplied with 20mm.



1 Remove the VESA Fixing Covers with a Paper Clip.

A Follow steps A if "Fixing to a surface".

B Follow steps B if "Fixing to a VESA Mount".



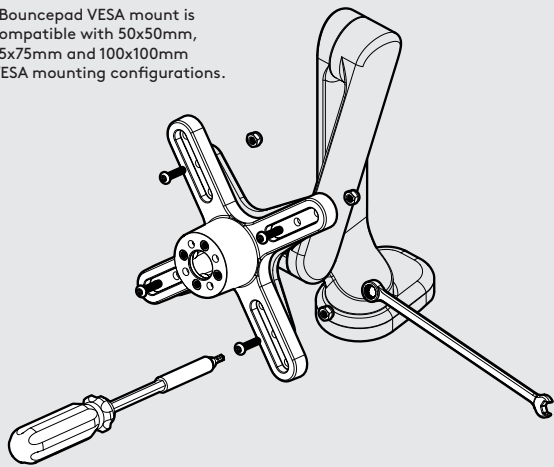
A1 Position & mark where the VESA is to be located. Ensure the VESA is level.

A2 Drill the fixing holes into your surface.

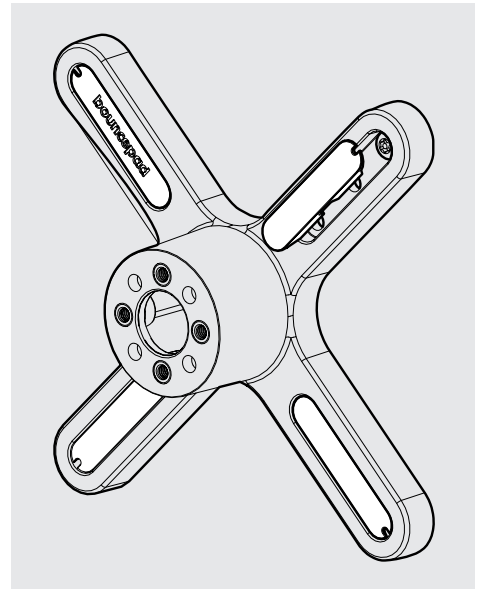
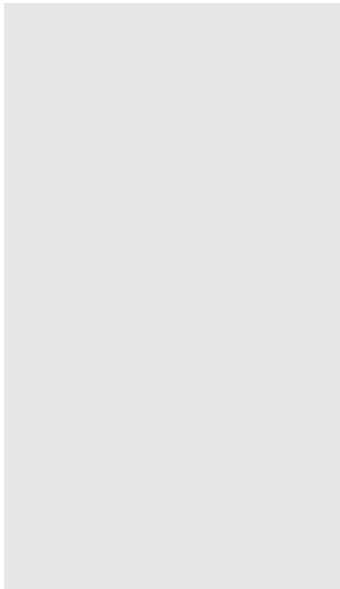
A3 Secure the VESA to the mounting surface in the correct orientation.

A4 Go to step 2.

*Bouncepad VESA mount is compatible with 50x50mm, 75x75mm and 100x100mm VESA mounting configurations.



* Bouncepad VESA to third party VESA mount fixings not provided. Image shown for illustrative purposes & may bare zero resemblance to fixings specified for your VESA mount. Refer to specifications provided by the third party VESA mount for the recommended fixings.

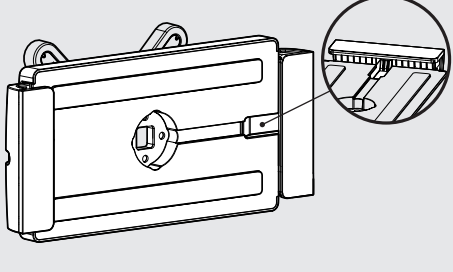


B1 Secure the Bouncepad VESA mount to VESA mounting bracket

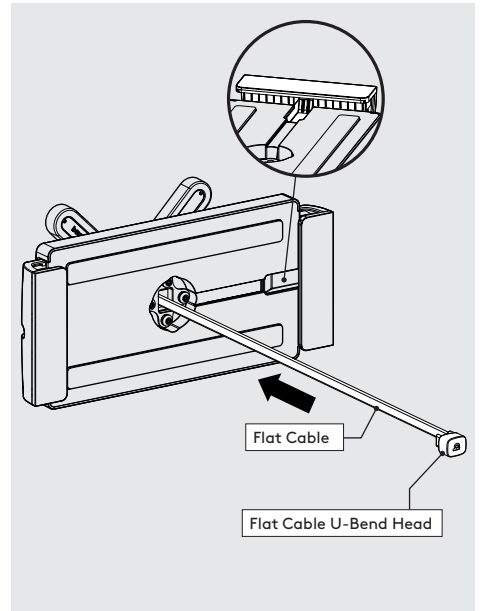
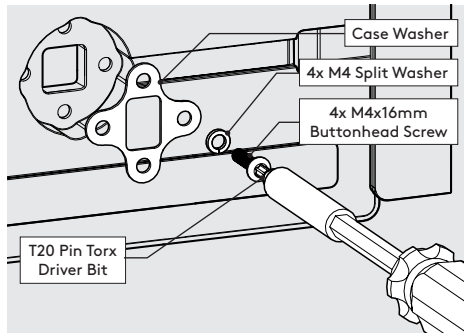
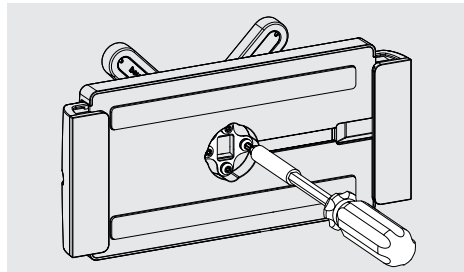
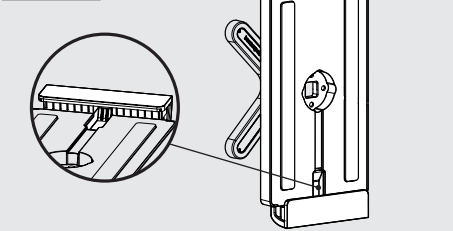
B2 Go to step 2.

2 Re-attach the VESA Fixing Covers.

Landscape



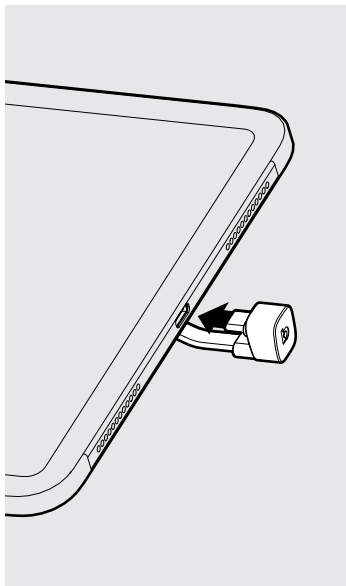
Portrait



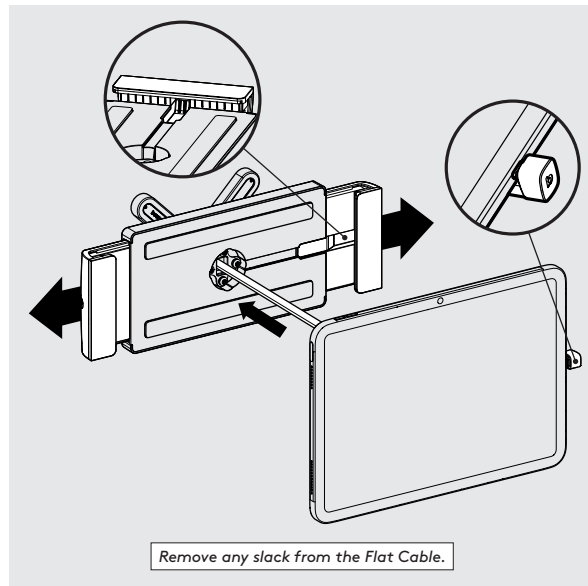
3 Locate the Clip Mount onto the VESA in your chosen orientation.

4 Attach the Clip Mount to the VESA as shown.

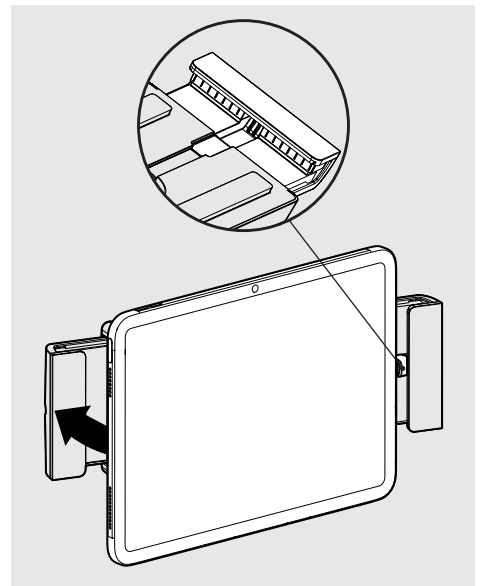
5 Feed the Tablet's Flat Cable into the Clip Mount & VESA assembly.



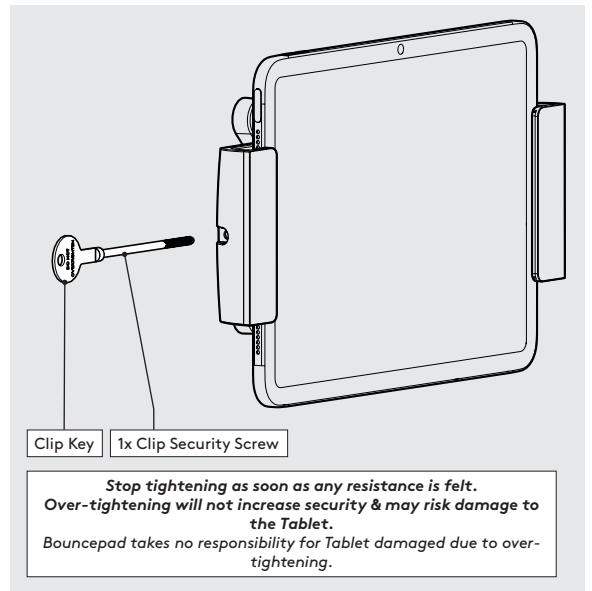
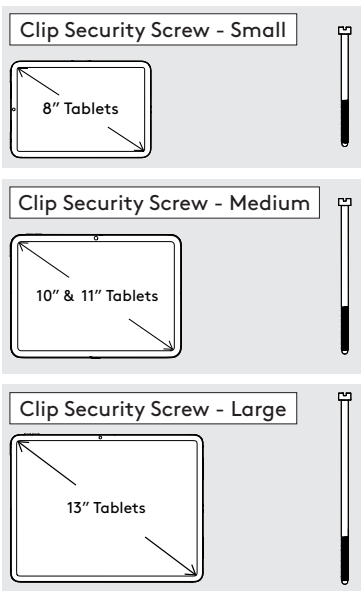
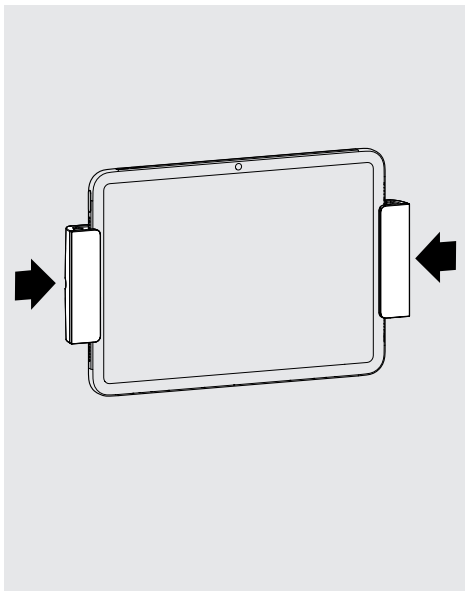
6 Attach the Flat Cable to the Tablet with the U-Bend Head.



7 Open the Clip Mount Jaws & move the Tablet into the Clip Mount.

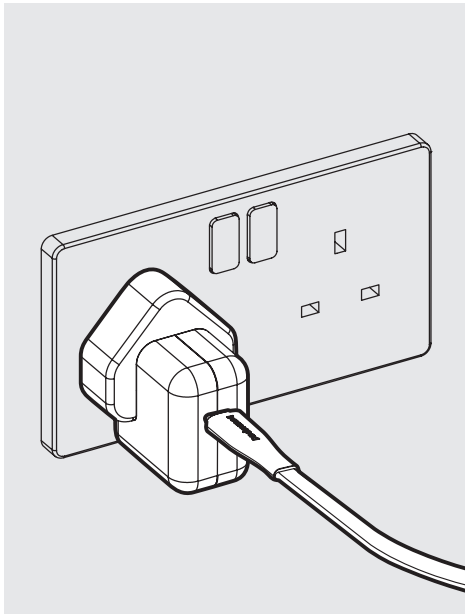


8 Locate the Flat Cable's U-Bend Head into the slot & place the Tablet into the Clip Mount.

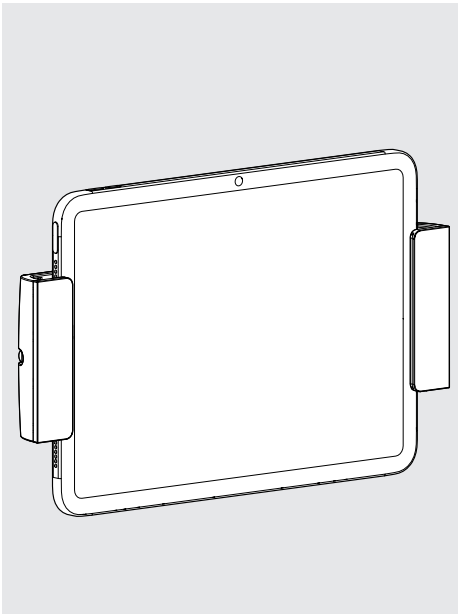


9 Close the Clip Mount Jaws around the Tablet.

10 Secure the Clip Mount Jaws with the correct Clip Security Screw. This must only be done using the Clip Key.



11 Connect the Tablet's Flat Cable to a Mains Power Source.



12 Installation is now complete.