

Clip Wallmount

Assembly Instructions

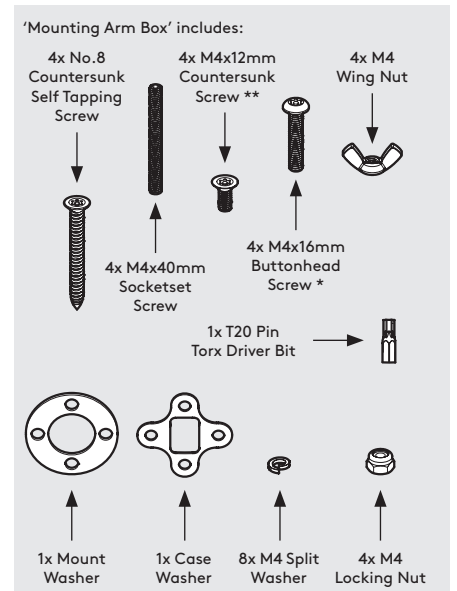
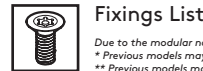
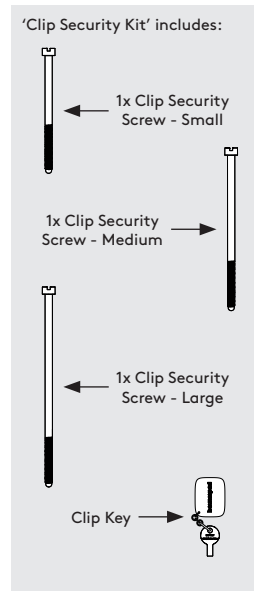
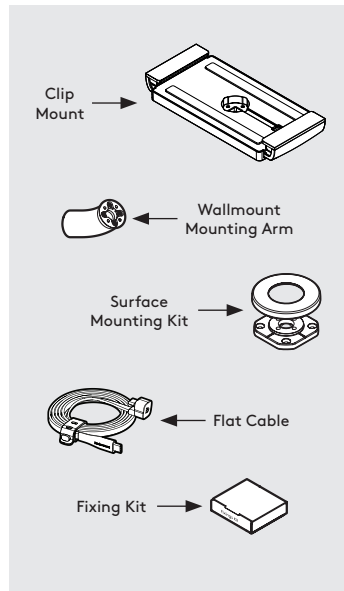
Tools Required:

- Pencil
- Electric Drill
- 7mm Spanner **or adjustable spanner*
- 5.0mm Drillbit **if fixing from below*
- 2.5mm Drillbit **if fixing from above*
- 16mm Holesaw **if routing the tablet cable through your mounting surface*
- Socket Driver

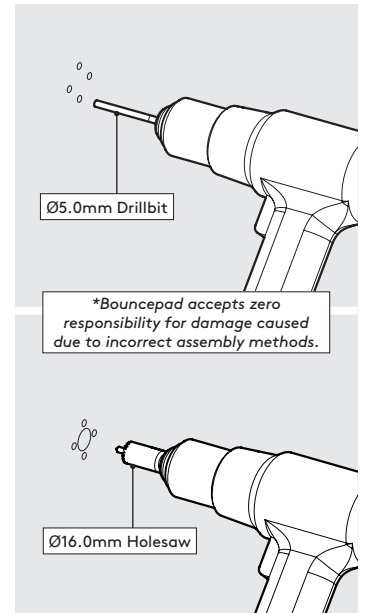
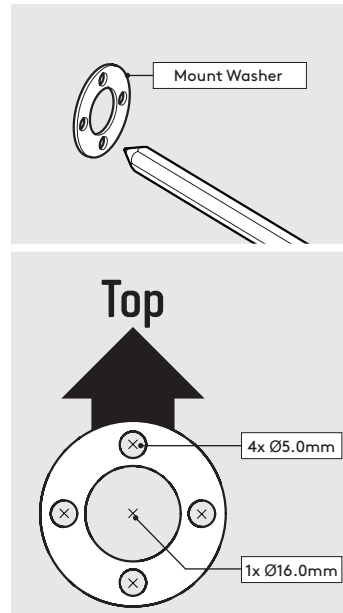
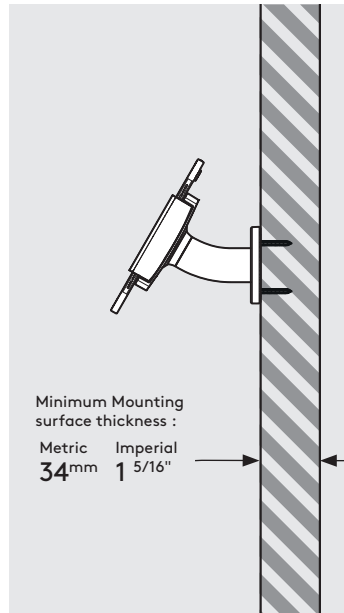
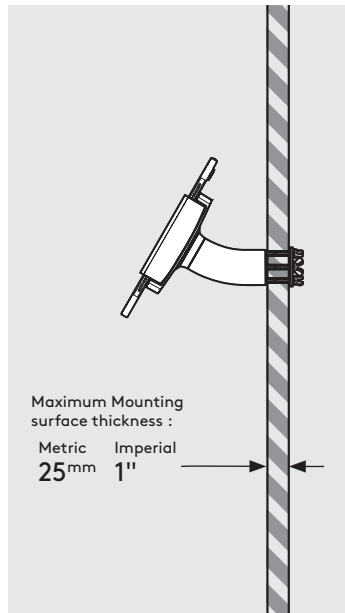
Sheet Code: BP-IM-134_REV0

Release Date: 03/11/2025

Copyright 2025 SpotSpot Ltd. (T/A Bouncepad) all rights reserved. Confidential, no part of this publication may be reproduced or transmitted in any form without the written permission of the copyright holder.



Fixings List
 Due to the modular nature of our product range you may receive additional fixings in the fixings kit.
 * Previous models may have been supplied with 20mm.
 ** Previous models may have been supplied with 10mm.

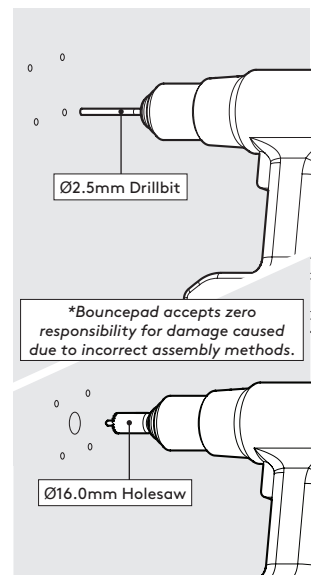
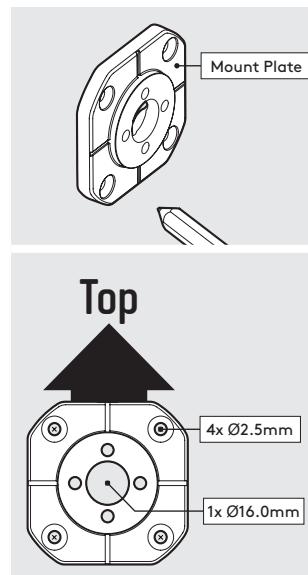
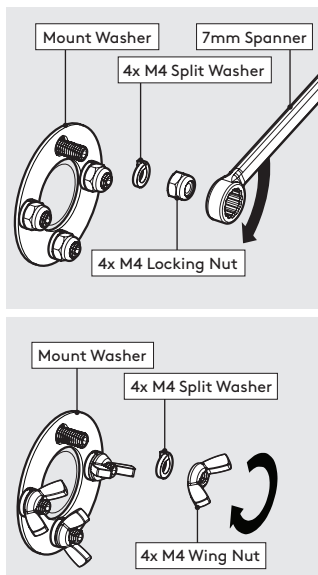
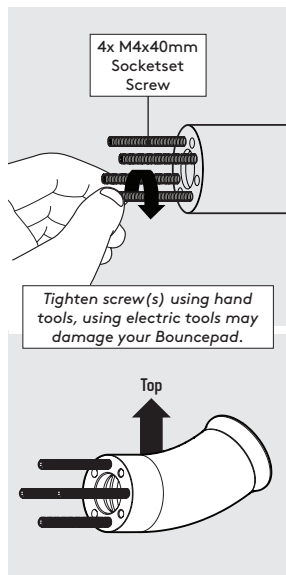


A Follow steps A if "Fixing from Below".

B Follow steps B if "Fixing from Above".

A1 Using the Mount Washer, mark the drill hole locations as shown.

A2 Drill each hole - using the specified drill size.



A3 Locate & screw the Socket Screws into the Wallmount as shown.

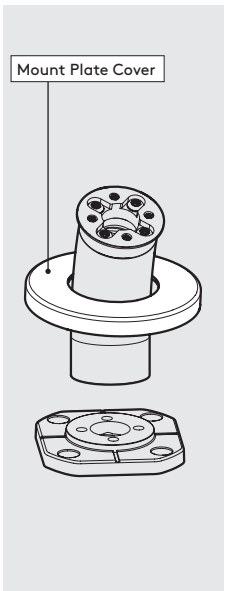
A4 Secure the Wallmount to the surface. Locking Nuts offer higher security.

A5 Go to step 1.

B1 Using the Mount Plate, mark the drill hole locations as shown.

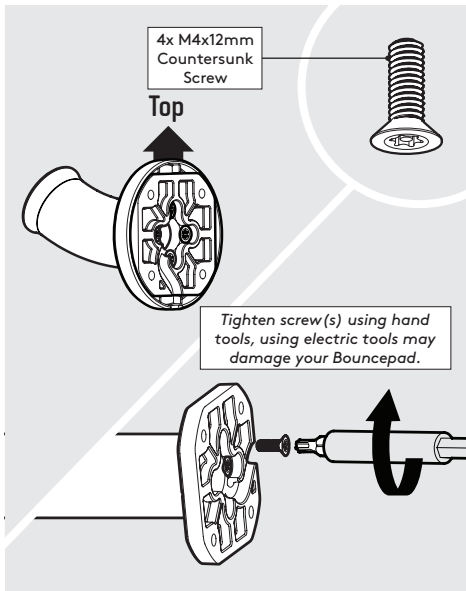
B2 Drill each hole - using the specified drill sizes.

**Bouncepad accepts zero responsibility for damage caused due to incorrect assembly methods.*



Mount Plate Cover

B3 Locate the Cover to the Wallmount.

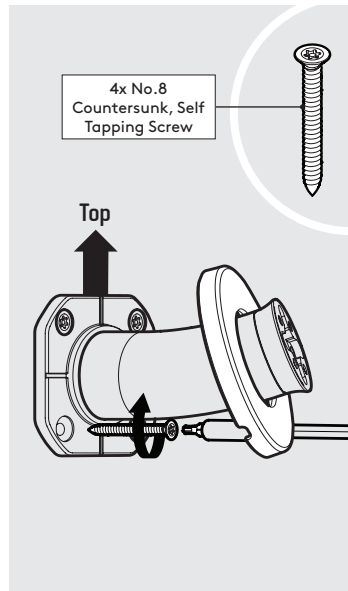


4x M4x12mm Countersunk Screw

Top

Tighten screw(s) using hand tools, using electric tools may damage your Bouncepad.

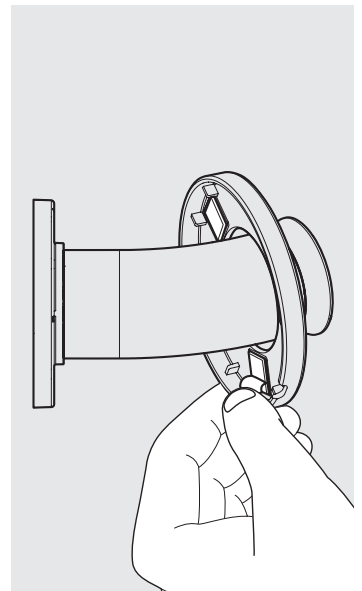
B4 Join the Wallmount & Mount Plate in the orientation shown.



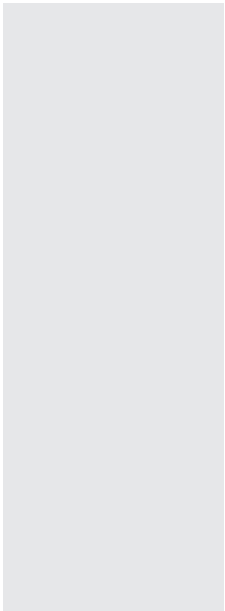
4x No.8 Countersunk, Self Tapping Screw

Top

B5 Secure the Wallmount to the surface with the 4x Countersunk Fixings.



B6 Adhere the Mount Cover onto the Mount Plate with the Adhesive Tabs.

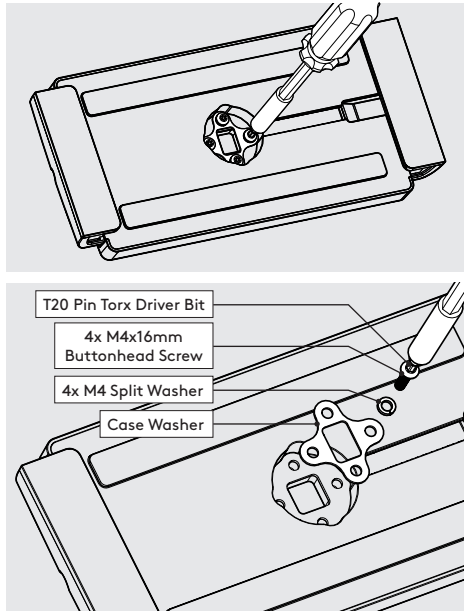


Landscape

Portrait

B7 Go to step 1.

1 Locate the Clip Mount onto the Wallmount in your chosen orientation.



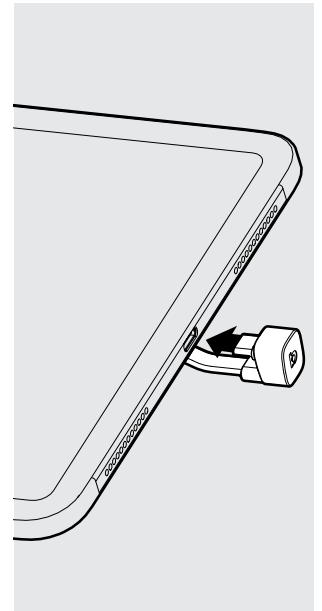
T20 Pin Torx Driver Bit

4x M4x16mm Buttonhead Screw

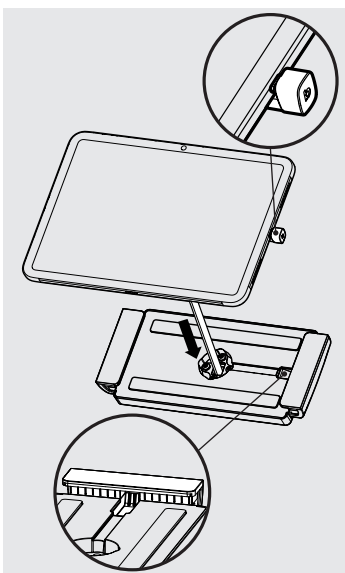
4x M4 Split Washer

Case Washer

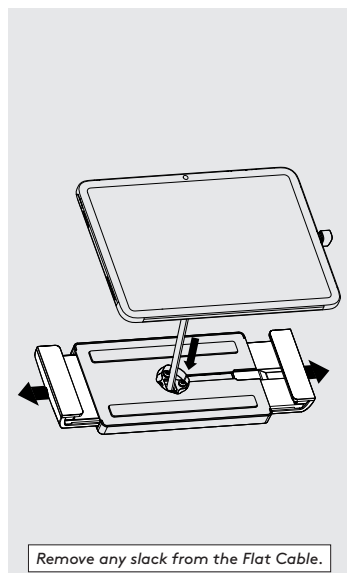
2 Attach the Clip Mount to the Wallmount as shown.



3 Attach the Flat Cable to the Tablet with the U-Bend Head.

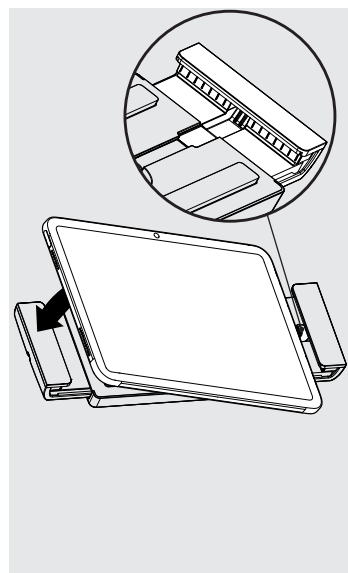


4 Feed the Flat Cable into the Assembly.

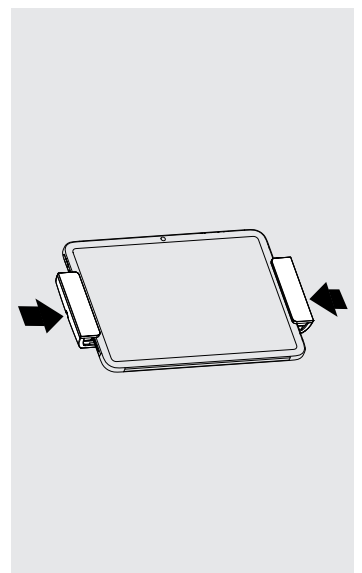


Remove any slack from the Flat Cable.

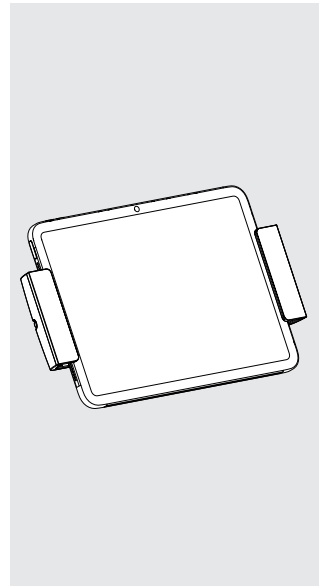
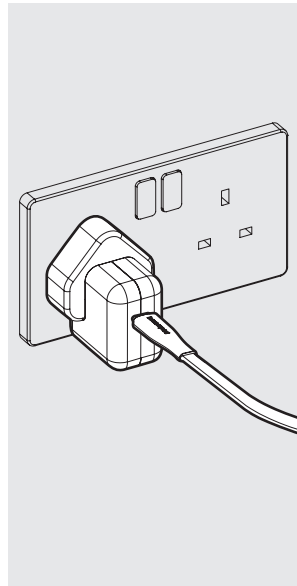
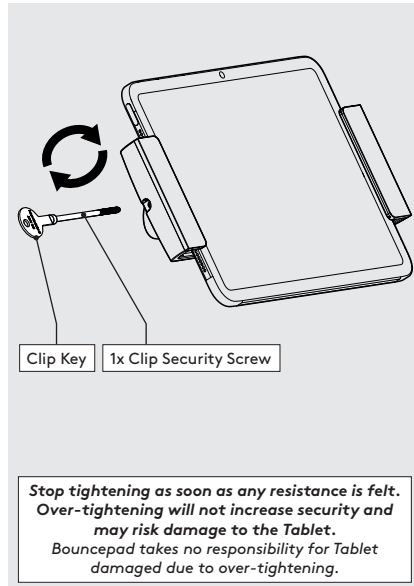
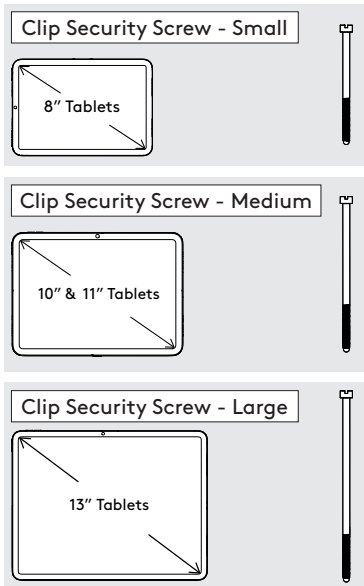
5 Open the Clip Mount Jaws & Lower the Tablet.



6 Locate the Flat Cable's U-Bend Head into the slot & place the Tablet into the Clip Mount.



7 Close the Clip Mount Jaws around the Tablet.



8 Secure the Clip Mount Jaws with the correct Clip Security Screw. This must only be done using the Clip Key.

9 Connect the Flat Cable to a Mains Power Source.

10 Installation is now complete.