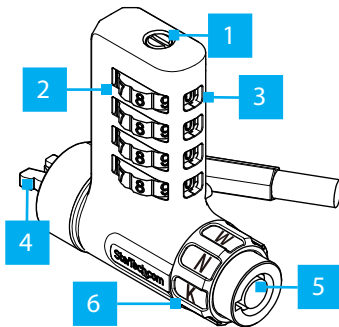


10-Pack Universal 3-in-1 Keyed Alike Laptop Lock - Combination/Keyed Locks

Product ID

UDUOKA10-LAPTOP-LOCK



Component	Function
1	Reset Button <ul style="list-style-type: none"> Used to set or reset the Combination Code Use a Flat-head Screwdriver to rotate
2	Combination Dials <ul style="list-style-type: none"> Rotate each row of numbers until the desired number is aligned on the Combination Window
3	Combination Windows <ul style="list-style-type: none"> Display the dialed Combination Code
4	Locking Tips <ul style="list-style-type: none"> Secure the Laptop Cable Lock to a Security Slot
5	Key Cylinder <ul style="list-style-type: none"> Insert a Key and Rotate to Unlock or Lock
6	Selection Knob <ul style="list-style-type: none"> Set the Locking Tips to K-Slot (K), Nano (N), or Wedge (W)

Package Contents

- Laptop Security Locks x 10 (1 per Envelope)
- Keys x 4
- Lock Spacers x 30 (3 per Envelope)
- Hook-and-Loop Strap x 10 (1 per Envelope)
- Quick-Start Guide x 11 (1 per Envelope)

Requirements

- For the latest manuals, product information, technical specifications, and declarations of conformance, please visit: www.StarTech.com/UDUOKA10-LAPTOP-LOCK

Installation

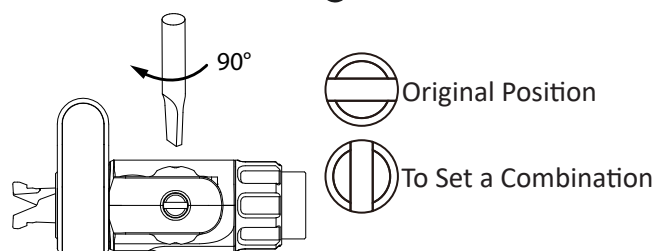
Locking Your Device

Setting your Combination Code

Note: Once your new Combination Code has been set, this code will be required to unlock the Laptop Lock (or optionally using the Shared Key) and change the Combination Code. **The Combination Code cannot be changed using the Shared Key.** Therefore, it is very important that the current Combination Code is documented and kept secure if needed in the future.

Note: To request additional Shared Keys visit www.StarTech.com/support and contact us with a copy of the Proof of Purchase.

- Using the **Combination Dials**, set the **Combination Code** to the preset factory code of 0-0-0-0.
- Push in and rotate the **Reset Button** 90° clockwise using a small **Flathead Screwdriver** or similar tool.
- Rotate the **Combination Dials** to the desired new **Combination Code**.
- Push in and rotate the **Reset Button** 90° counterclockwise to its original position.

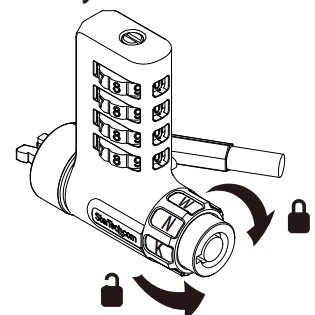


Tethering a Device

To secure the lock to a suitable stationary object (e.g., desk frame or grommet hole), wrap the **Security Cable** around the object and pull the **Laptop Lock** through the loop at the end of the cable.

Locking a Device

- Enter the correct combination code to turn the **Selection Knob**.
- Turn the **Selection Knob** counterclockwise until it stops to fully contract the **Locking Tips**.
- Insert the **Locking Tips** into the **Security Slot** of the **Device** and ensure the **Laptop Lock** is pressed fully and securely into place.
- Turn the Selection Knob clockwise and select the Security Slot present on your Device.



If the slot type is unknown, turn the **Selection Knob** until the **Locking Tips** are fully expanded within the **Security Slot**.

5. Change the Combination Code to a random number to enable the lock.

Unlocking the Laptop Lock

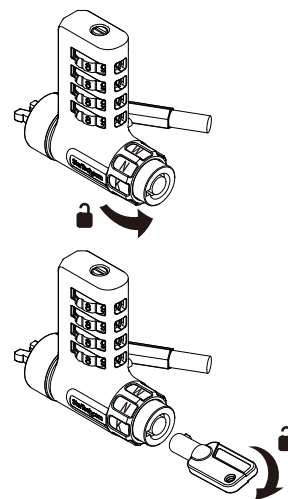
The **Laptop Cable Lock** can be unlocked by either entering the correct **Combination Code** or using the **Shared Key**.

Using the Combination Code

1. Turn the **Combination Dials** and set the current **Combination Code**.
2. Turn the **Selection Knob** fully counterclockwise ↺.
3. Remove the **Laptop Lock** from the **Device**.

Using the Key

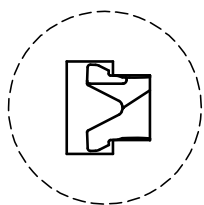
1. Insert the **Shared Key** into the **Laptop Lock** and turn it 90° clockwise ↻.
2. Remove the **Laptop Lock** from the **Device**.
3. Rotate the **Shared Key** 90° counterclockwise ↺ so that it can be removed from the **Laptop Lock**.



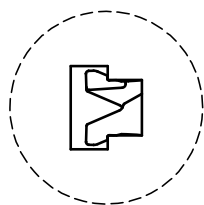
Installing the Lock Spacers

It is recommended to add one of the included **Lock Spacers** to ensure a firm and secure fit between the lock and the device. After securing the lock to the device, determine which spacer to use. Then, unlock the device following the steps above, apply the spacer, and relock the **Laptop Lock** to the device.

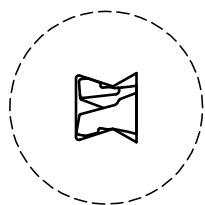
Select the appropriate **Spacer** for your lock based on the **Security Slot** type.



K-Slot Slot Spacer
Thickness: 0.65mm



Nano Slot Spacer
Thickness: 1.65mm



Noble Slot Spacer
Thickness: 2.15mm

