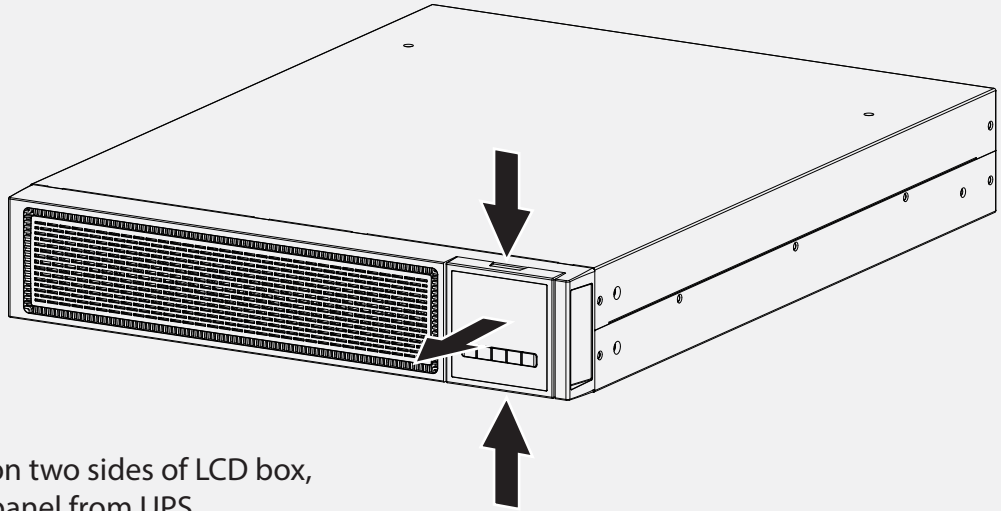
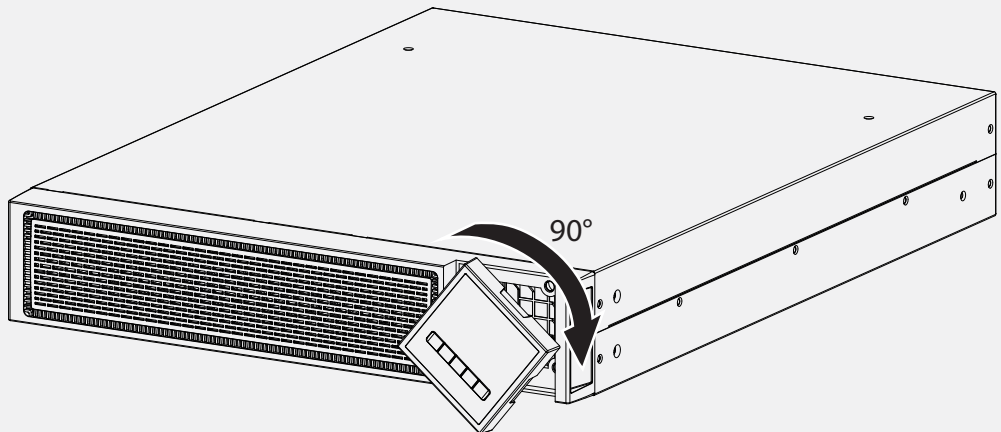


1



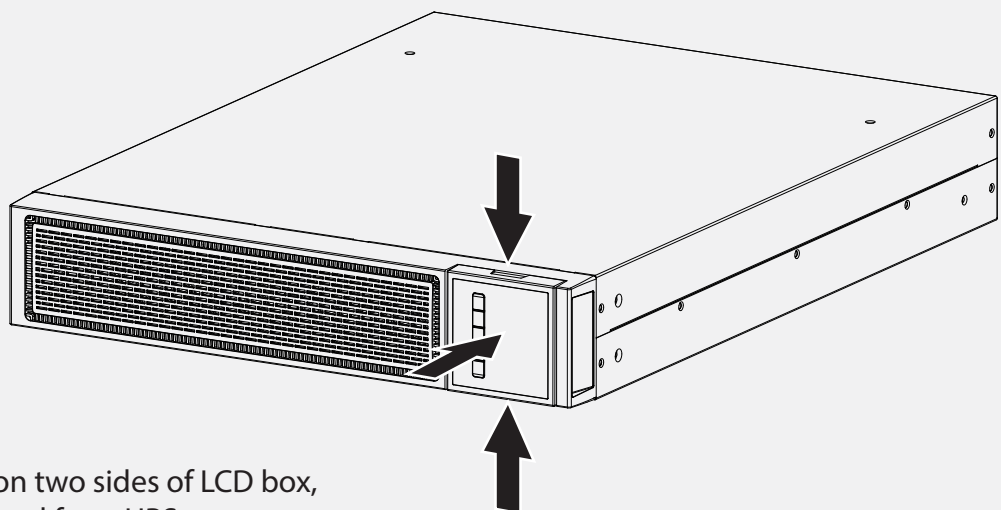
Push the button on two sides of LCD box, pull out the LCD panel from UPS.

2



Rotate the LCD panel with 90°.

3



Push the button on two sides of LCD box, pull in the LCD panel from UPS.



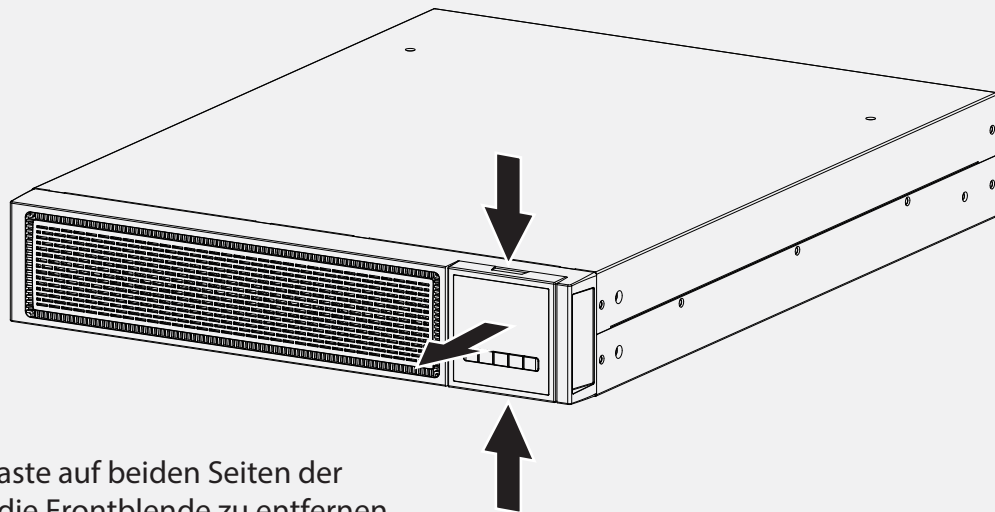
CE marking is a certification mark that indicates conformity with health, safety, and environmental protection standards for products sold within the European Economic Area (EEA). The CE marking is also found on products sold outside the EEA that have been manufactured to EEA standards. This makes the CE marking recognizable worldwide even to people who are not familiar with the European Economic Area.



WEEE is waste electrical and electronic equipment. It is end-of-life electrical and electronic equipment and covers virtually everything with a plug or battery. ... The EC introduced the WEEE Directive in 2002 to address the environmental impacts of unwanted electrical and electronic equipment at end-of-life disposal.

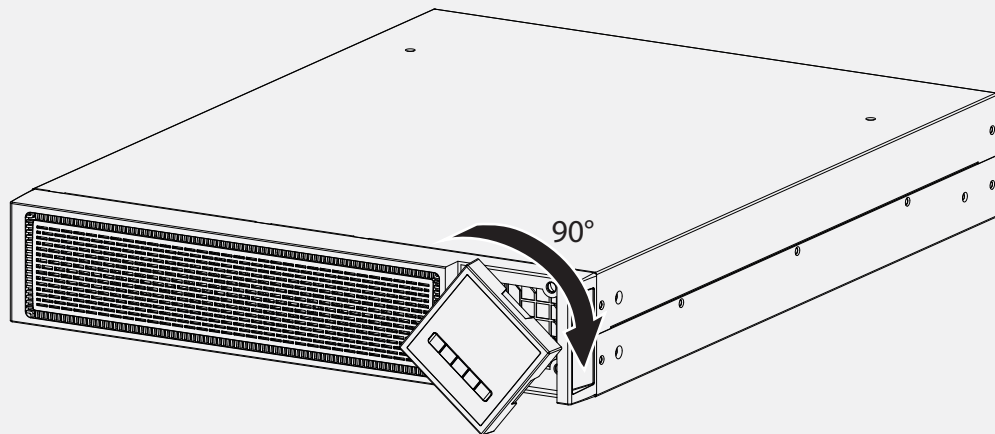
Deutsch Installation Vertikale Tower-Montage.

1



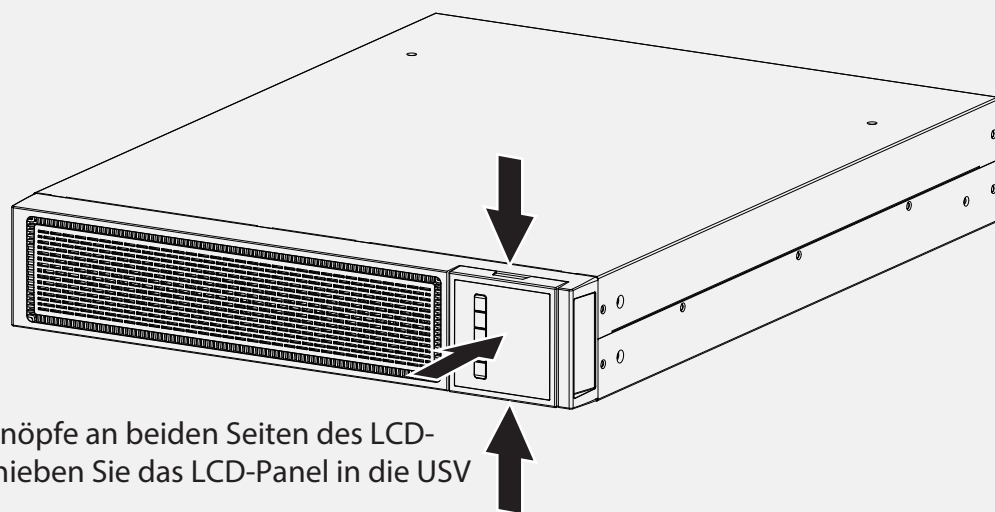
Drücken Sie die Taste auf beiden Seiten der Frontblende, um die Frontblende zu entfernen.

2



Drehen Sie das LCD-Panel um 90°.

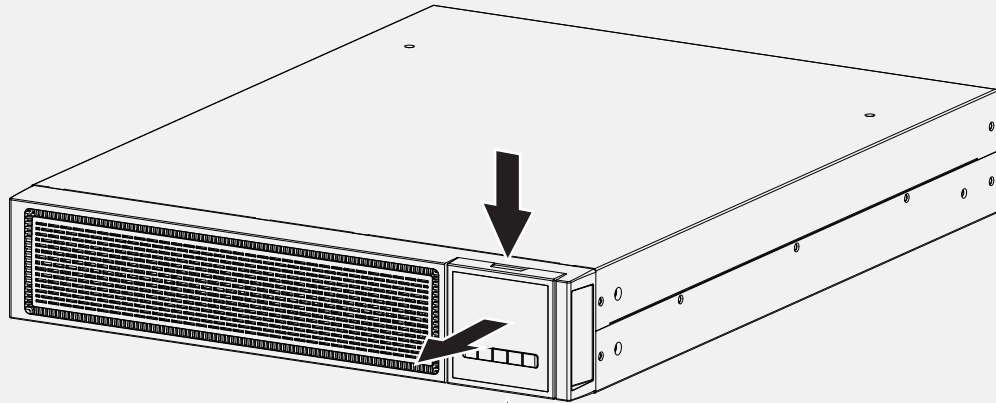
3



Drücken Sie die Knöpfe an beiden Seiten des LCD-Gehäuses und schieben Sie das LCD-Panel in die USV hinein.

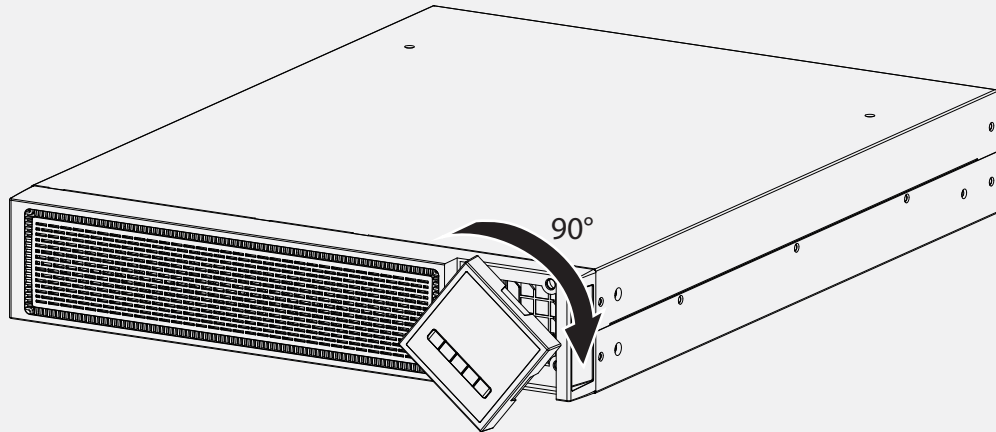
French Montage de type tour vertical

1



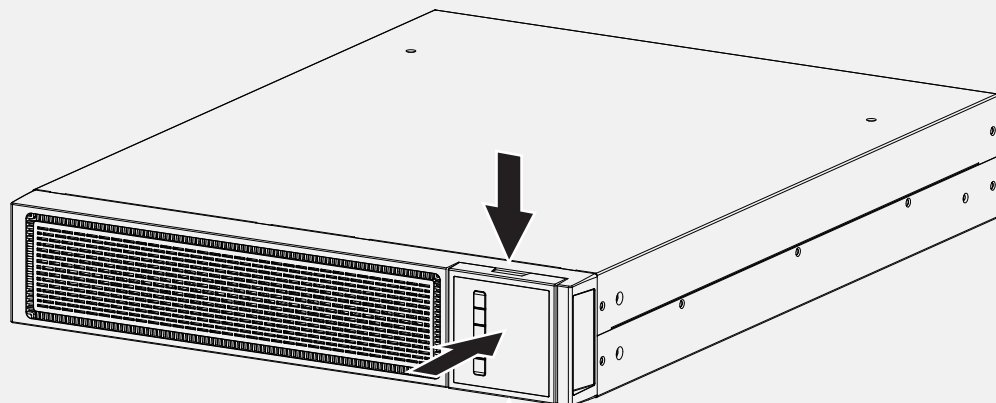
Appuyez sur les boutons des deux côtés du boîtier LCD, puis tirez le panneau LCD hors de l'onduleur (UPS)

2



Faites pivoter le panneau LCD de 90°.

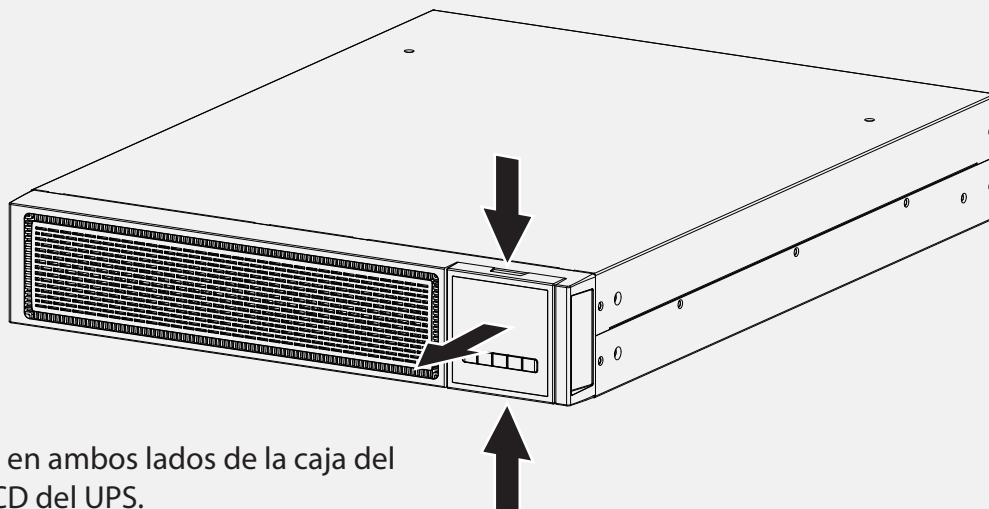
3



Appuyez sur les boutons des deux côtés du boîtier LCD et insérez le panneau LCD dans l'onduleur.

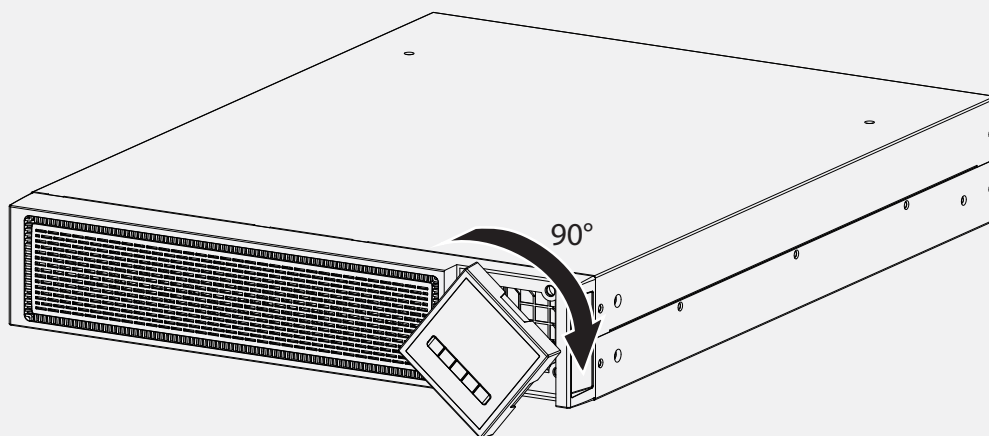
Español Montaje tipo torre vertical.

1



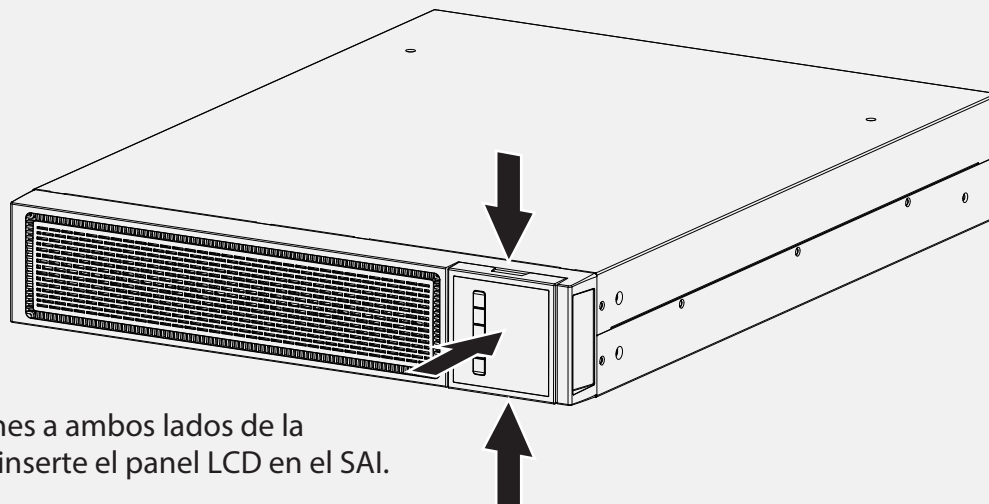
Presione el botón en ambos lados de la caja del LCD, y saque el LCD del UPS.

2



Gire el panel LCD 90°

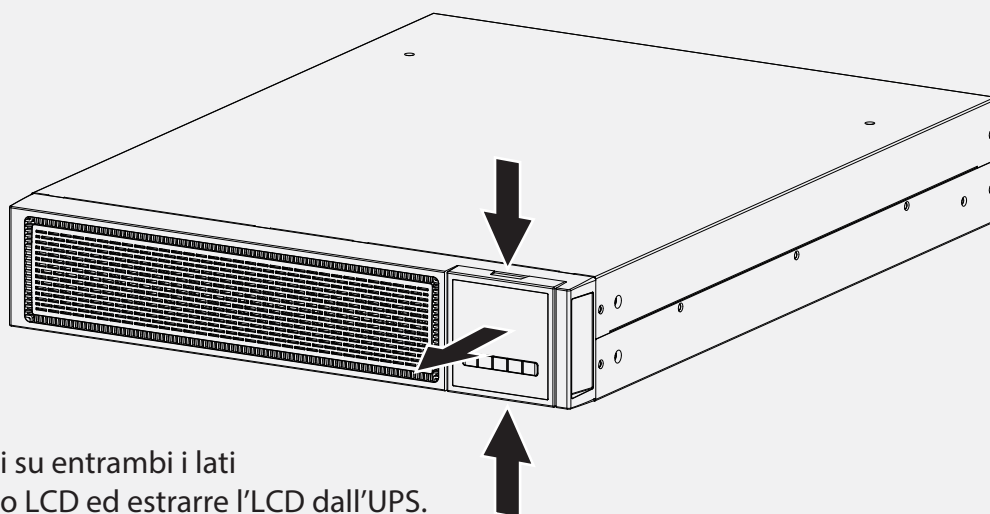
3



Presione los botones a ambos lados de la carcasa del LCD e inserte el panel LCD en el SAI.

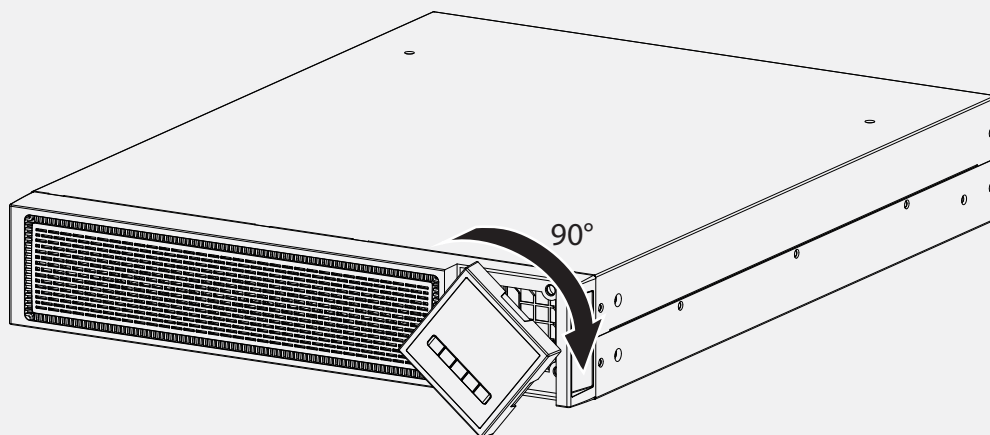
Italiano Montaggio a torre verticale.

1



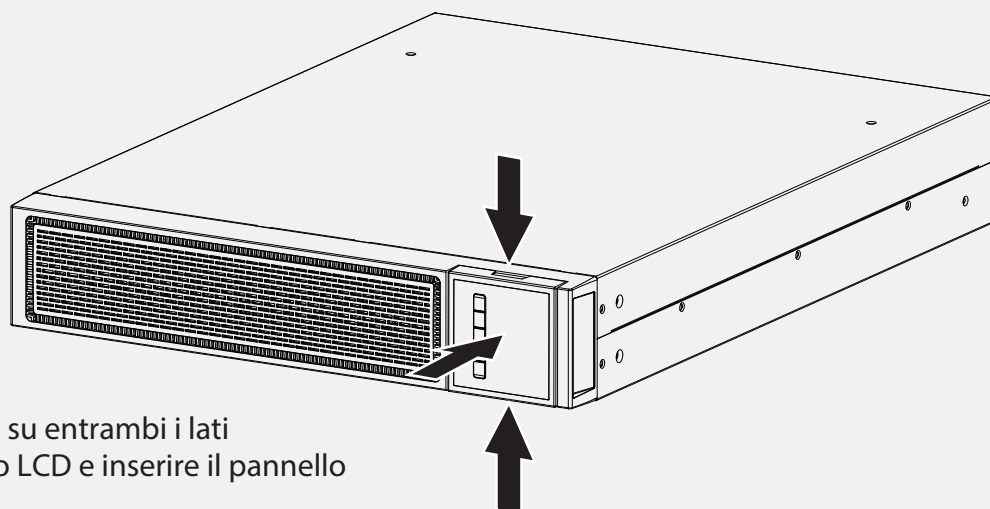
Premere i pulsanti su entrambi i lati dell'alloggiamento LCD ed estrarre l'LCD dall'UPS.

2



Ruotare il pannello LCD di 90°.

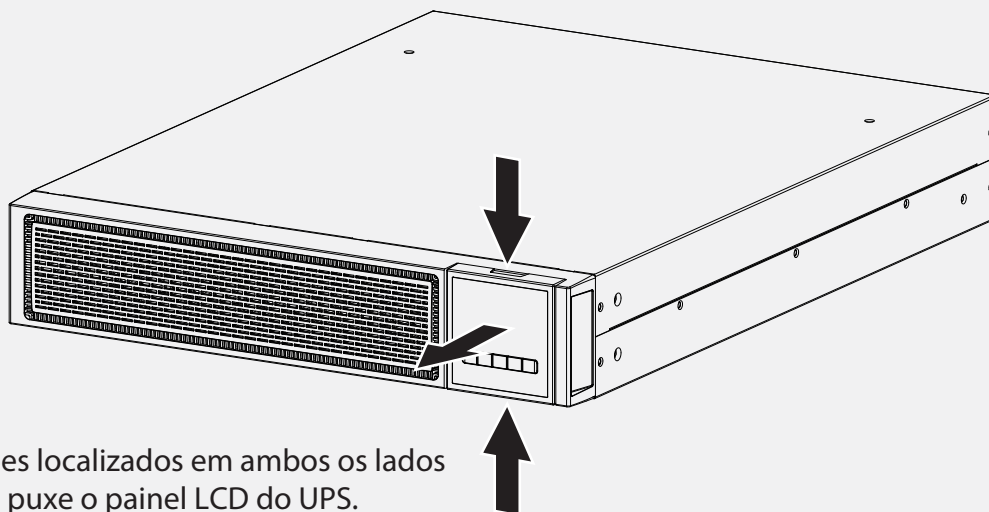
3



Premere i pulsanti su entrambi i lati dell'alloggiamento LCD e inserire il pannello LCD nell'UPS

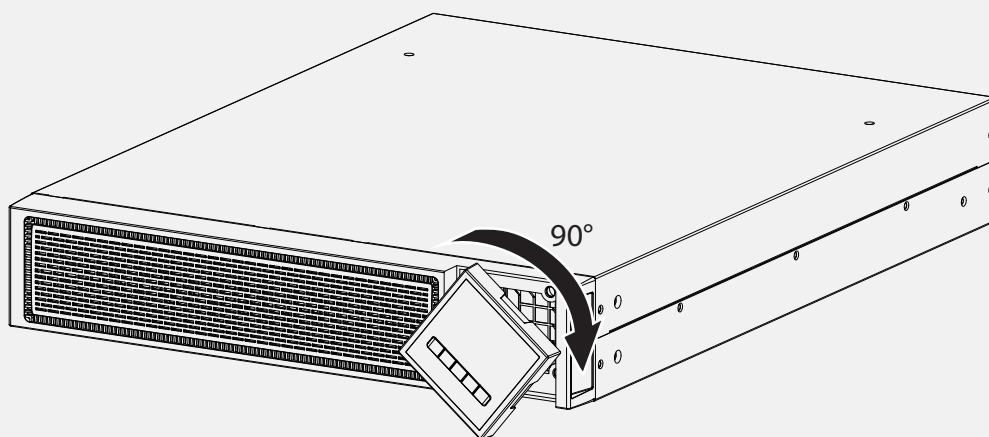
Português Montagem do tipo torre vertical.

1



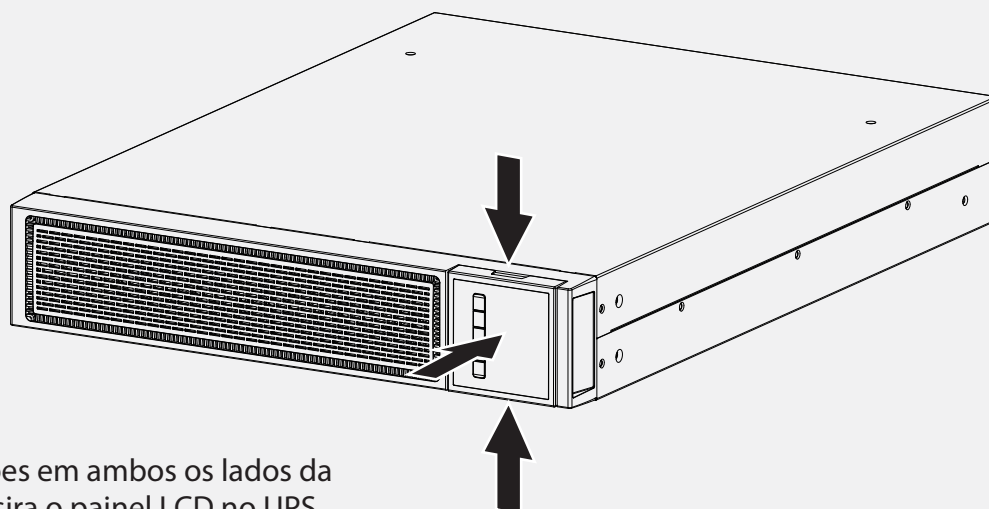
Pressione os botões localizados em ambos os lados da caixa do LCD e puxe o painel LCD do UPS.

2



Gire o painel LCD em 90°.

3



Pressione os botões em ambos os lados da caixa do LCD e insira o painel LCD no UPS.