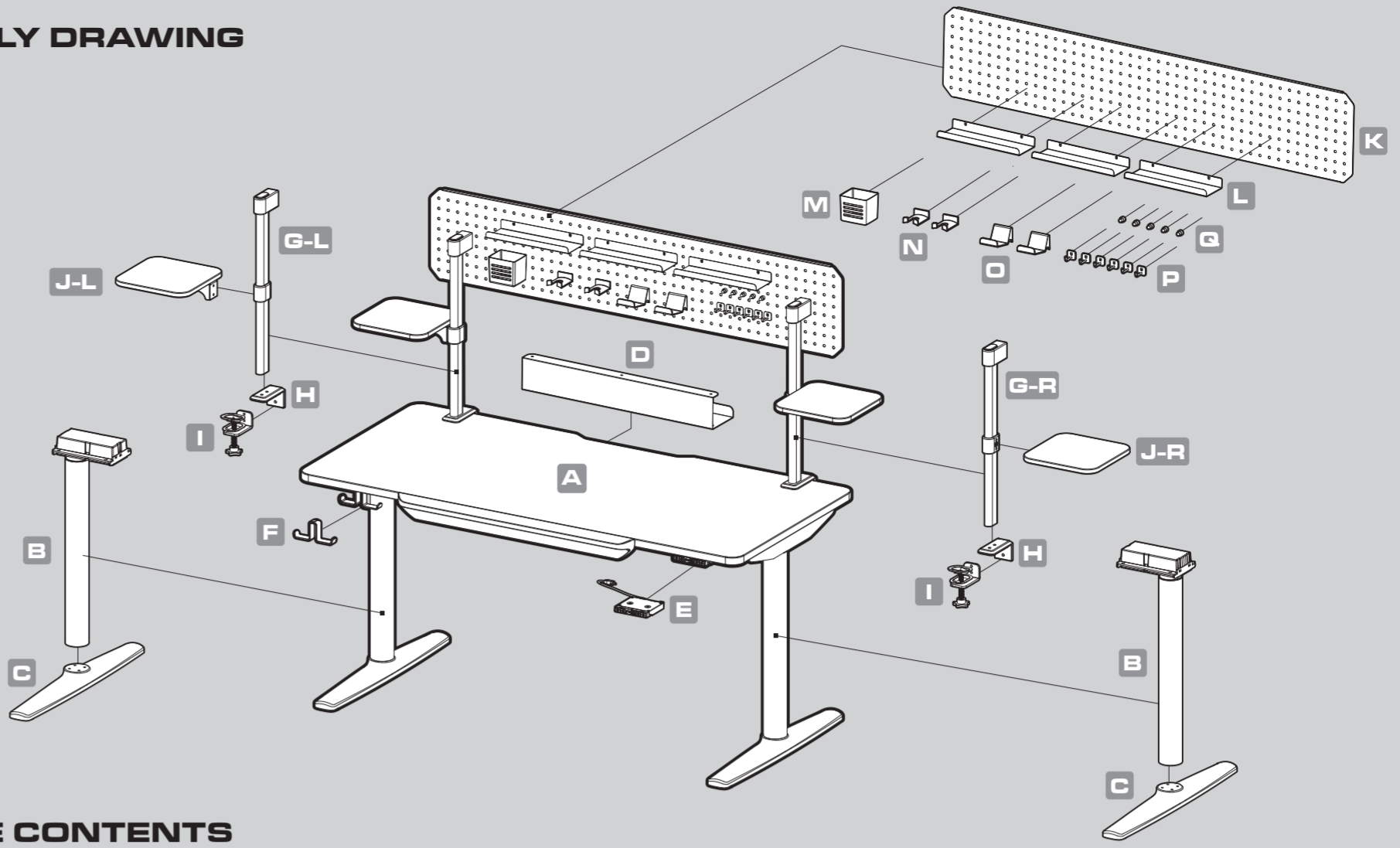




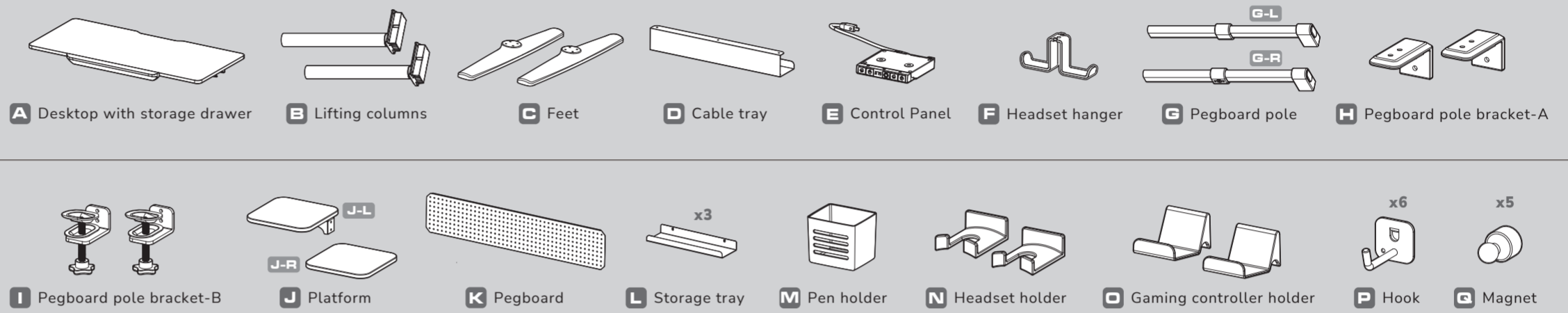
E-ODYSSEY

ELECTRIC GAMING DESK

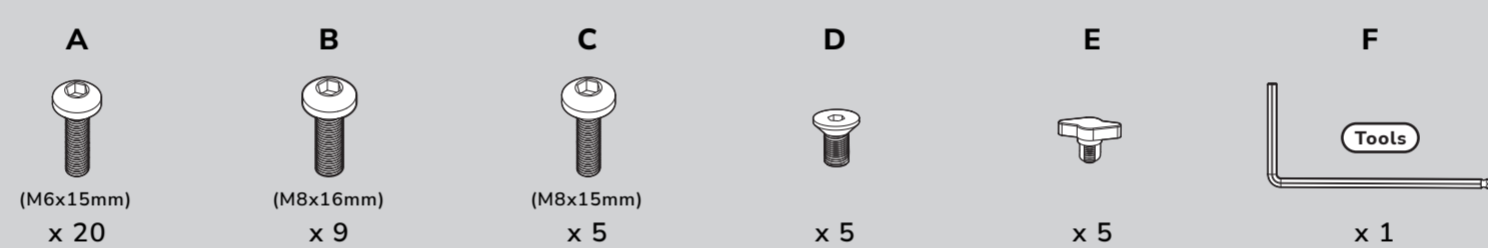
ASSEMBLY DRAWING



PACKAGE CONTENTS



ACCESSORY KIT



SPECIFICATIONS

Product Name	E-ODYSSEY Electric Gaming Desk
Model No.	CGR-E-ODYSSEY150
Voltage Requirement for Electric Adjustment	100~240Vac
Desktop Dimension	1500 x 700 x 25mm
Desktop Height Range	730~1180 mm (The actual desktop height needs to include the thickness of the desktop.)
Desktop Total Weight Capacity	100 kg

ДАТА ИЗГОТОВЛЕНИЯ ПРОДУКЦИИ

год и месяц изготовления продукции указаны в серийном номере продукта. (существует 2 способа определения даты изготовления, оба способа описаны ниже)
A После S/N: первые две цифры означают год, вторые две – месяц изготовления. Например, S/N: H1702000001 означает, что товар был произведен в феврале 2017 года.
B После S/N: если указаны буквы, то две буквы представляют цифры из таблицы ниже, и означают год, последующие две цифры – месяц изготовления. Например, S/N: DAG02REVI000001 означает, что товар был произведен в феврале 2017 года.

БЪЛГАРИЯ

• Подробни инструкции за употреба изтеглете от: <https://cougargaming.com/bg>
 България QR код

A	B	C	D	E	F	G	H	I	J
1	2	3	4	5	6	7	8	9	0

• Например, AG = 17 = 2017 год

FEATURES

- ENGLISH**
- Electric Height Adjustment
 - Dual-Motor for Best Reliability
 - Pegboard and Accessories Design
 - Drawer Provide Storage Space
 - Two Height Memory Settings
 - Safety Brake During Adjustment
 - Cable Tray for Easy Management
 - Headset Hook
- PORTUGUÊS**
- Ajuste de altura elétrico
 - Motor duplo para melhor confiabilidade
 - Design de painel perfurado e acessórios
 - Gaveta proporciona espaço de armazenamento
 - Dois ajustes de altura memorizáveis
 - Freno de segurança durante o ajuste
 - Bandeja de cabos para gerenciamento fácil
 - Gancho para fones de ouvido

- ESPAÑOL**
- Ajuste de altura eléctrico
 - Doble motor para mayor fiabilidad
 - Diseño de panel perforado y accesorios
 - Cajón proporciona espacio de almacenamiento
 - Dos ajustes de altura memorizados
 - Freno de seguridad durante el ajuste
 - Bandeja de cables para gestión fácil
 - Gancho para auriculares
- РУССКИЙ**
- Электрическая регулировка высоты
 - Двигатель с двумя моторами для наилучшей надежности
 - Дизайн доски с отверстиями и аксессуаров
 - Ящик обеспечивает пространство для хранения
 - Два настройки высоты в памяти
 - Безопасный тормоз во время регулировки
 - Кабельный лоток для удобного управления
 - Крючок для наушников

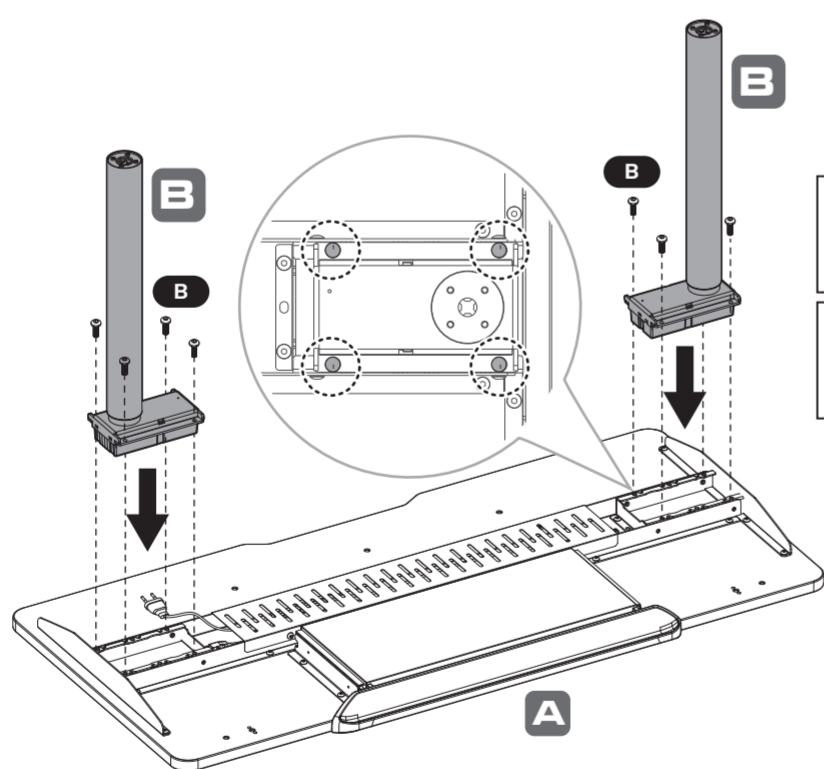
- DEUTSCH**
- Elektrische Höhenverstellung
 - Doppel-Motor für beste Zuverlässigkeit
 - Pegboard- und Zubehör-Design
 - Schublade bietet Stauraum
 - Zwei Höhenspeicher-Einstellungen
 - Sicherheitsbremse während der Verstellung
 - Kabelkanal für einfaches Management
 - Headset-Haken
- FRANÇAIS**
- Réglage électrique de la hauteur
 - Double moteur pour une meilleure fiabilité
 - Conception de panneau perforé et d'accessoires
 - Le tiroir offre de l'espace de rangement
 - Deux réglages de hauteur en mémoire
 - Frein de sécurité pendant le réglage
 - Goulotte de câbles pour une gestion facile
 - Crochet pour casque

- 한국어**
- 전기식 높이 조절
 - 최고의 신뢰성을 위한 이중 모터
 - Pegboard와 액세서리 디자인
 - 사람은 저장 공간을 제공합니다
 - 두 개의 높이 메모리 설정
 - 조절 중 안전 브레이크
 - 케이블 트레이, 쉬운 관리를 위해
 - 헤드셋 후크
- 日本語**
- 電動高さ調節
 - 最高の信頼性のためのデュアルモーター
 - ペグボードとアクセサリーのデザイン
 - 引き出しは収納スペースを提供します
 - 二つの高さメモリ設定
 - 調整中の安全ブレーキ
 - ケーブルトレイ、簡単な管理のために
 - ヘッドセットフック

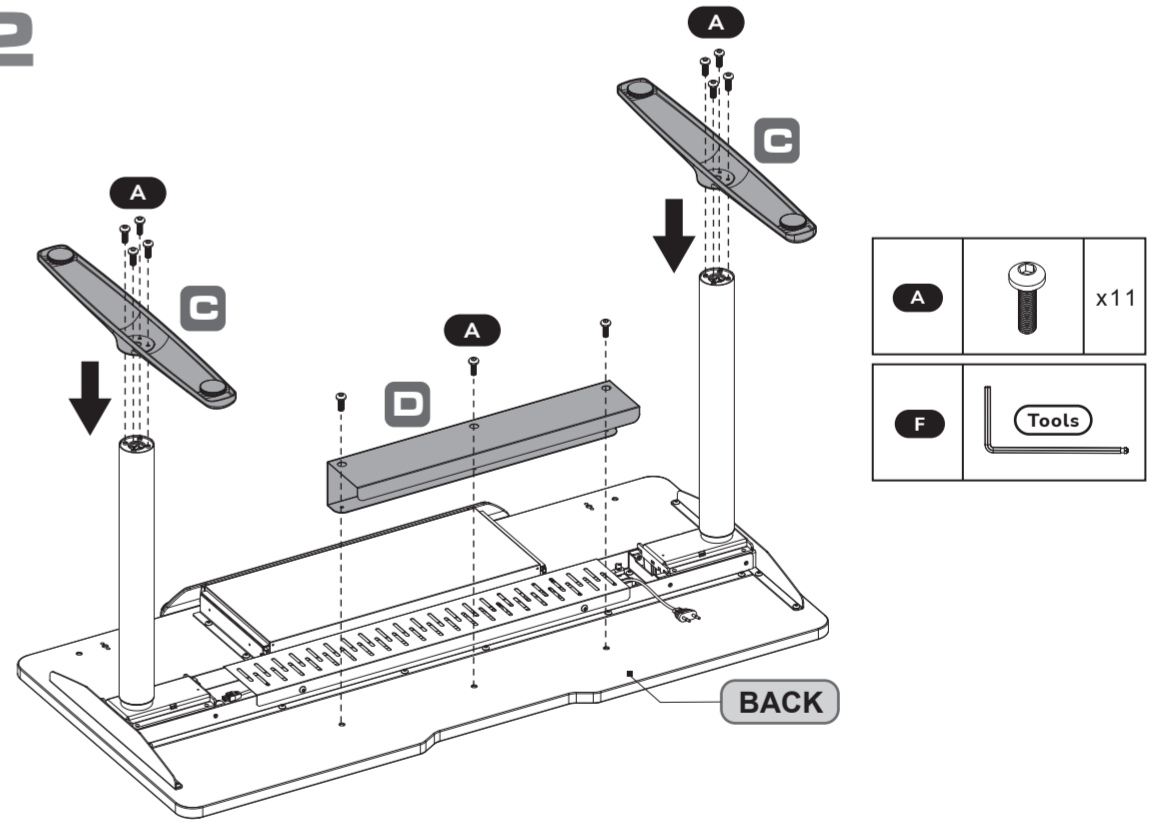
- 簡中**
- 电动高度调节
 - 双电机提供可靠稳定性
 - 洞洞板和配件设计
 - 抽屉提供存储空间
 - 两个高度记忆设置
 - 安全紧急停止机制
 - 线下理线架易于整理线材
 - 耳机挂钩
- 繁中**
- 電動高度調節
 - 雙電機提供可靠穩定性
 - 洞洞板和配件設計
 - 抽屜提供存儲空間
 - 兩個高度記憶設置
 - 安全緊急停止機制
 - 桌下理線架易於整理線材
 - 耳機掛鉤



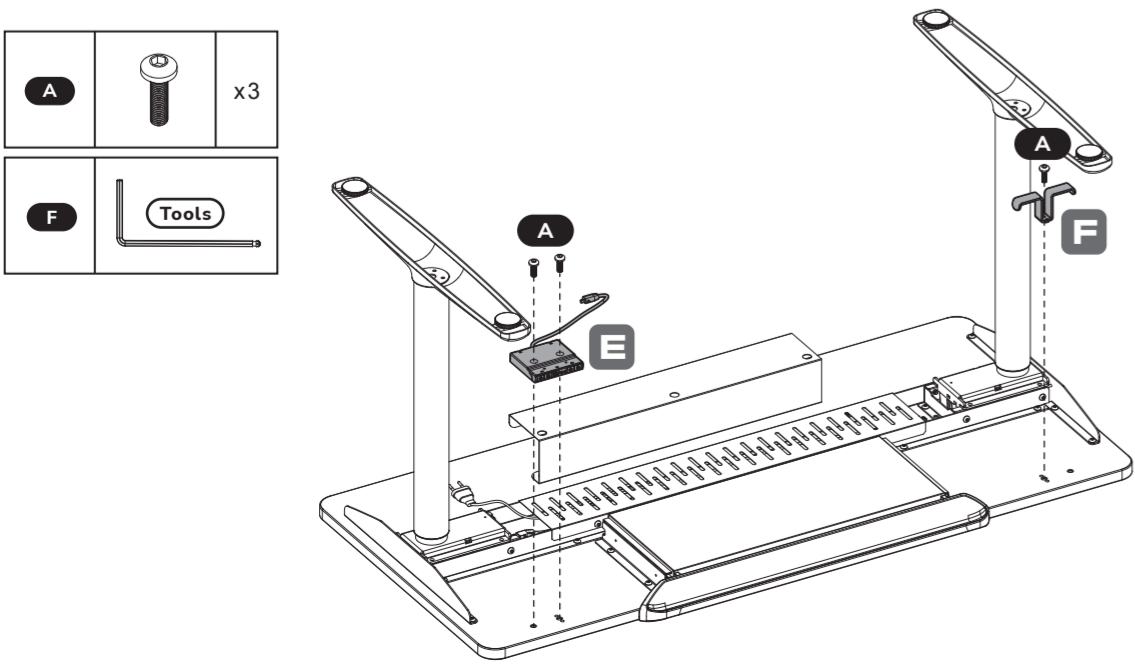
- Assembly recommended with a partner for safety and efficiency.
- Montagem recomendada com parceiro para segurança e eficiência.
- Montaje recomendado con un socio para mayor seguridad y eficiencia.
- Рекомендуется проводить сборку совместно с партнером в целях безопасности и эффективности.
- Aus Gründen der Sicherheit und Effizienz wird die Montage mit einem Partner empfohlen.
- Montage recommandée avec un partenaire pour plus de sécurité et d'efficacité.
- 안전과 효율성을 위해 파트너와 함께 조립하는 것이 좋습니다.
- 安全性和效率性確保するために、パートナーと一緒に組み立てることをお勧めします。
- 为了安全和效率，建议两人一起组装。
- 為了安全和效率，建議兩人一起組裝。



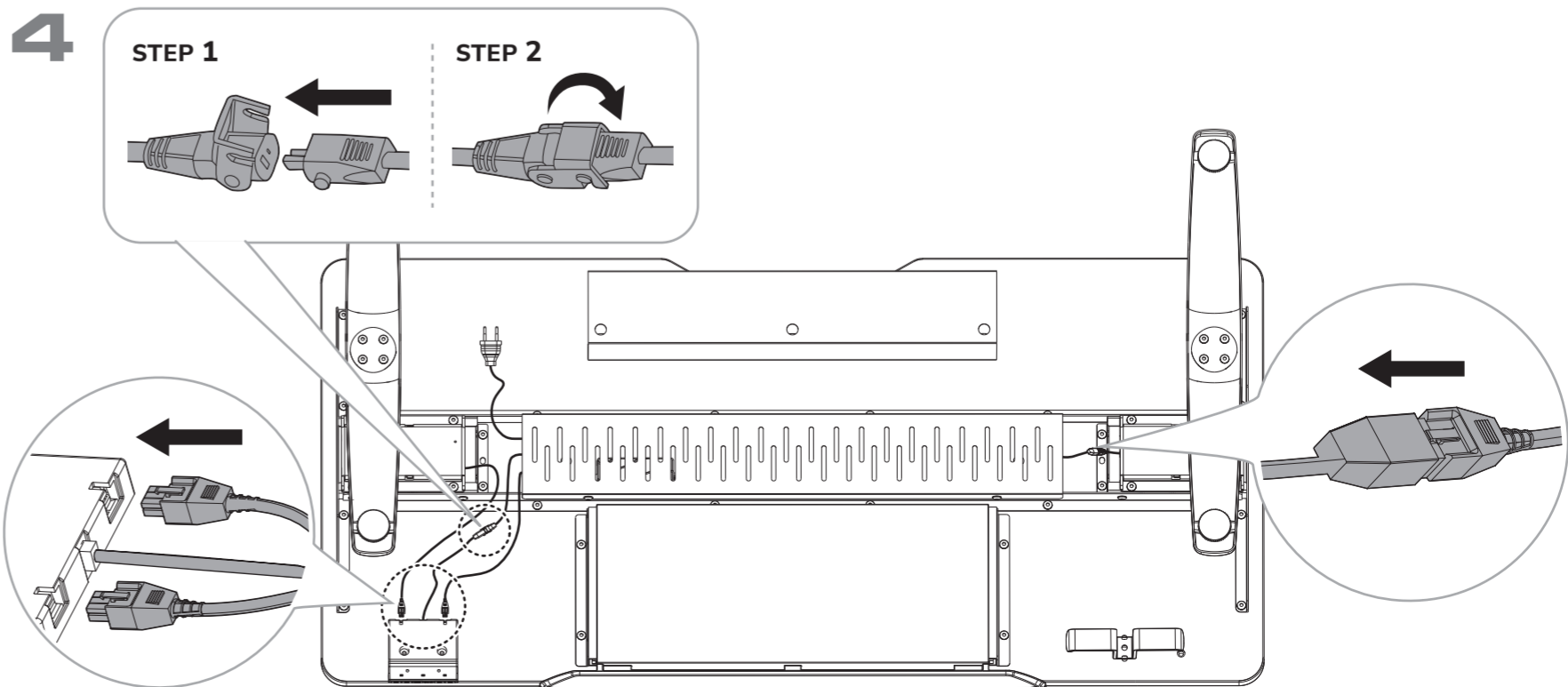
2

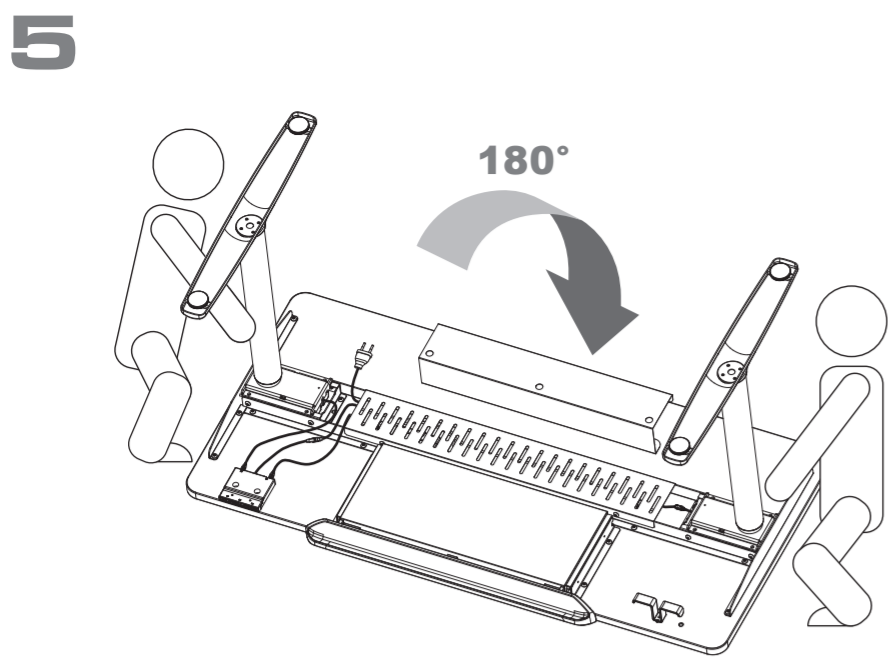


3

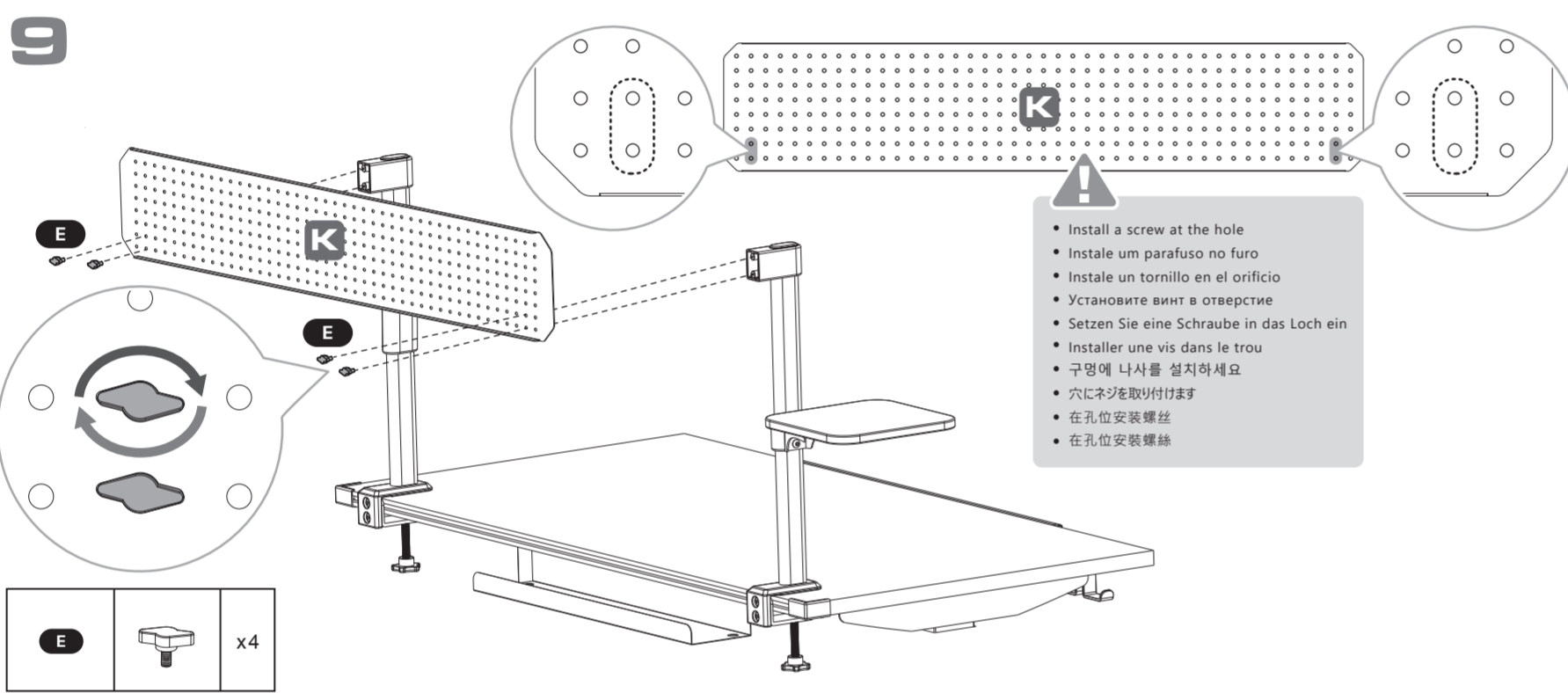
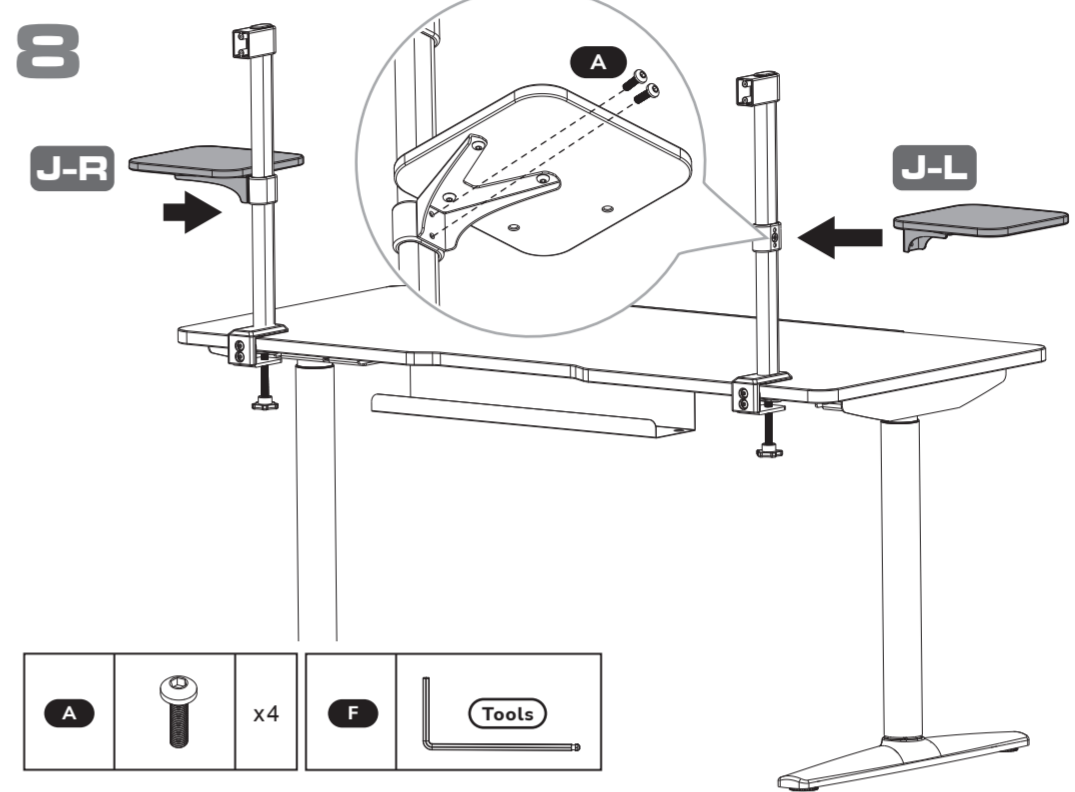
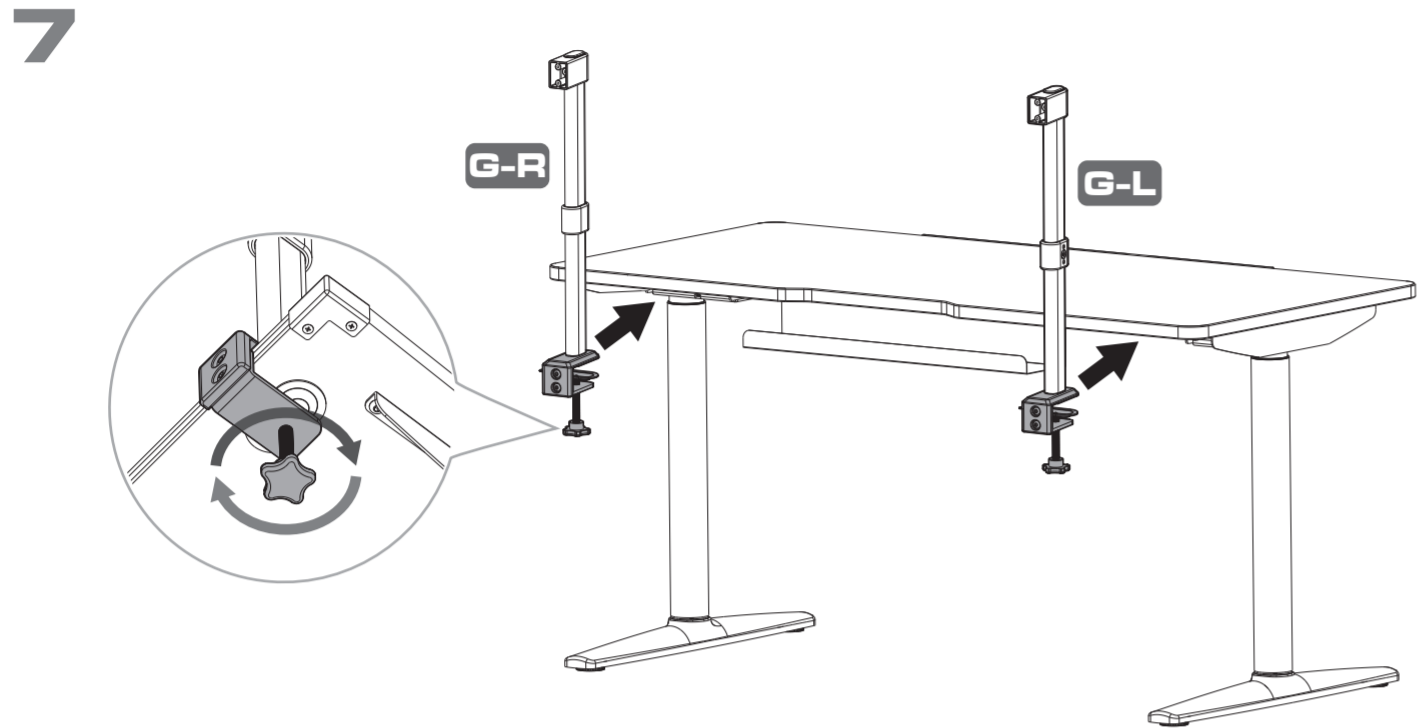
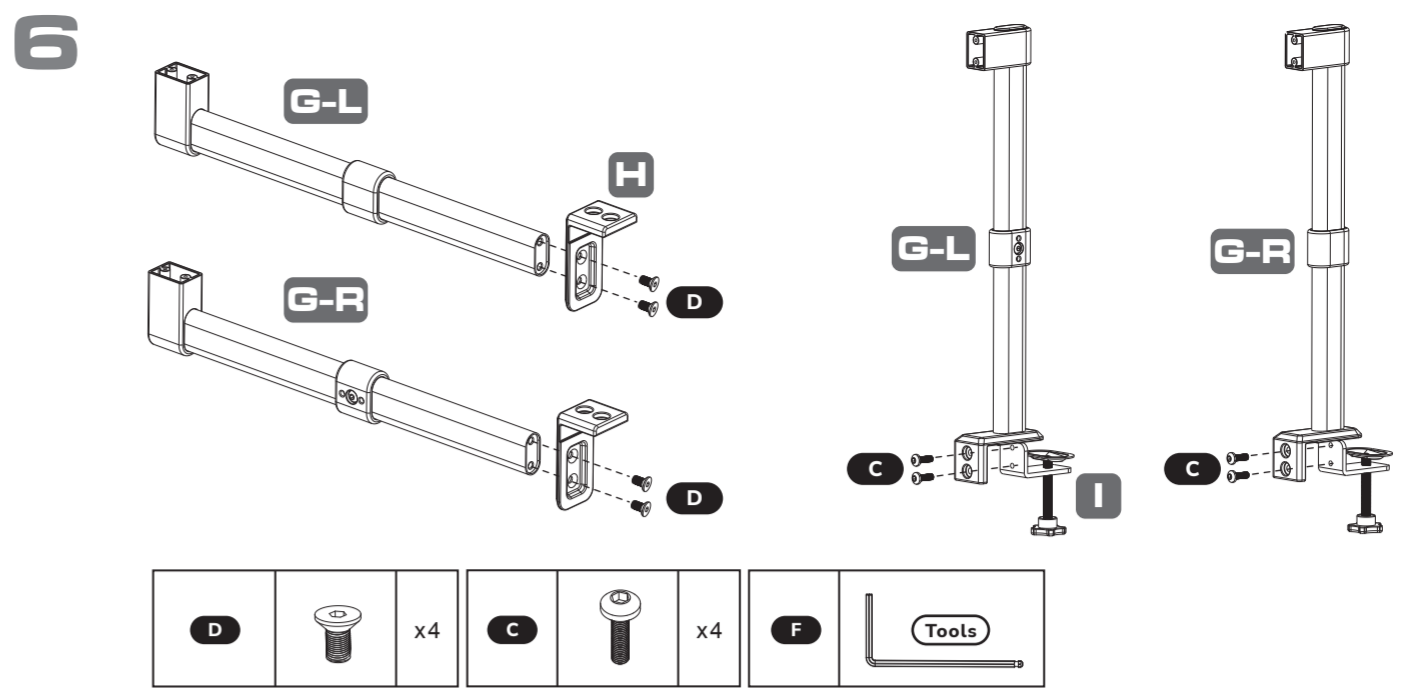


4

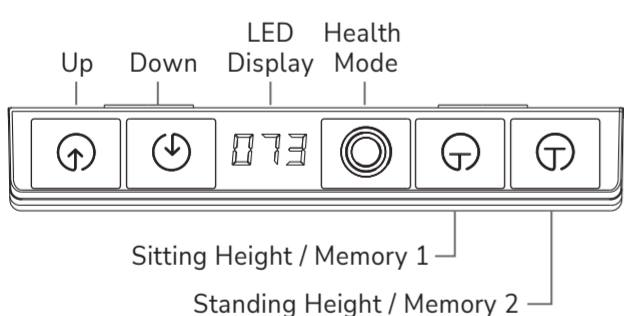
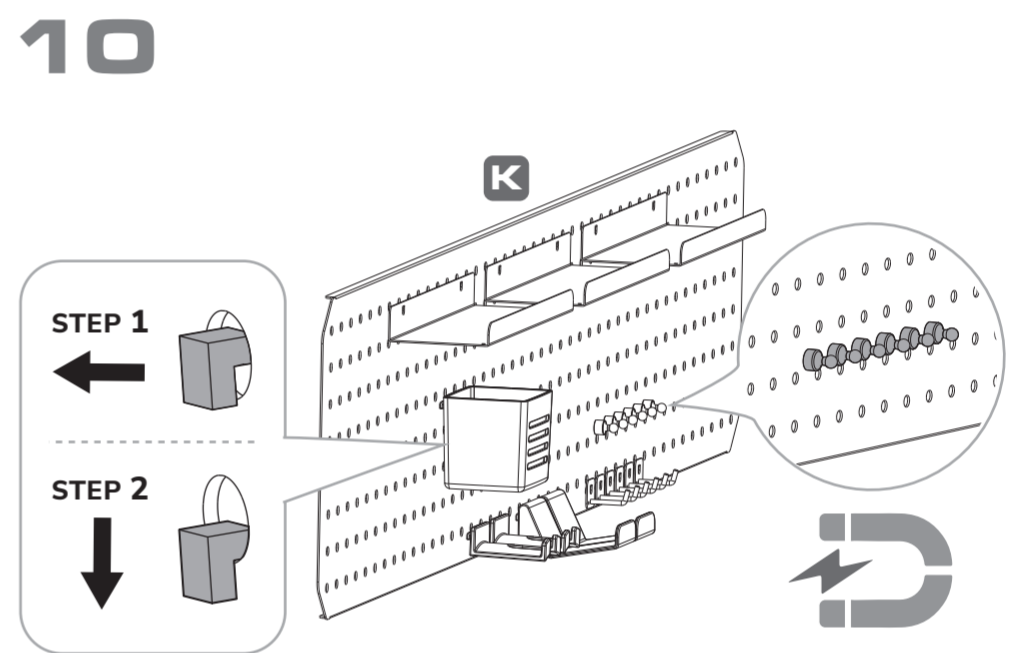




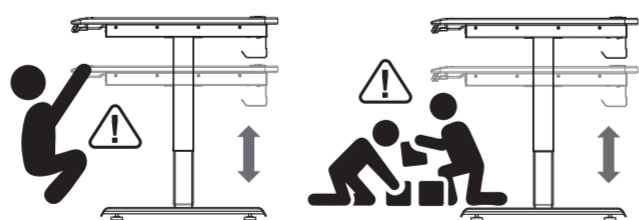
- Move with 2 people.
- Os dois trabalham juntos.
- Los dos trabajan juntos.
- Два человека работают вместе.
- Die beiden arbeiten zusammen.
- Les deux travaillent ensemble.
- 두 사람은 함께 일합니다.
- 二人は協力して働きます。
- 兩人一起搬動。



- Install a screw at the hole
- Instale un parafuso no furo
- Instale un tornillo en el orificio
- Установите винт в отверстие
- Setzen Sie eine Schraube in das Loch ein
- Installez une vis dans le trou
- 구멍에 나사를 설치하세요
- 穴にネジを取付けます
- 在孔位安裝螺絲



FUNCTION & TROUBLESHOOTING	INSTRUCTION
Height Adjustment	Press up "⬆️" or down "⬇️" button to raise or lower the desktop.
Height Memory	Sitting Height / Memory 1: Press and hold "⬆️" button for 3 seconds. The LED display will show "H1" flash, indicating completion. Standing Height / Memory 2: Press and hold "⬇️" button for 3 seconds. The LED display will show "H2" flash, indicating completion. (Press the "⬆️" or "⬇️" button, the desktop automatically run to the memory position, and can be stopped midway by any press.)
Health Mode	It can help users unconsciously raise and lower their heads, and activate the spine and surrounding muscles to prevent prolonged maintenance of the same neck posture. 1. Press this "⊙" button to activate Health Mode, and the backlight of this button will flash. 2. The desk will slowly move up 4.7 inches in 3 minutes, stop for 2 minutes, and then move down slowly by 4.7 inches in 3 minutes. The movements will repeat after 2 minutes. 3. To cancel this Health Mode, simply press the "⊙" button or any other key. The Health Mode will be deactivated, and the desk will resume its designated operation. (If not manually closed, the Health Mode automatically shuts off after 1 hour.)
Troubleshooting	Anti-collision: Error Code "E02" appears when the desktop vibrates. This protection is triggered if the desk vibrates, gets bumped, or tilts during movement. The desk will immediately halt its current movement and automatically stop after reversing by 1.57 inches. Ensure the desk operates without vibrations, obstacles, or tilting. Overheating Protection: Error Code "Hot" appears when continuous adjustment time exceeds 2 minutes. The overheating protection will be triggered. Stop adjustment immediately; wait for 18 minutes, after which the alarm will disappear. Motor Malfunction Protection: Error Code "E10" appears. Disconnect power, recheck to ensure that the motor connected to the controller is secure, and reconnect to the power source. Overload Protection: Error Code "E20" appears when the desk is raised while overloaded. Remove heavy objects from the desk before making adjustments. If overload occurs when lowering the desk, please perform a reset. Out of Sync Protection: Error Code "E60" appears. Disconnect power, recheck to ensure that the motor connected to the controller is secure, and reconnect to the power source to perform a reset.
Performing a Reset	In the lowest position or when prompted by the "protection and alarm" message, press and hold the down "⬇️" button for 5 seconds. The "⊙" button will flash red and then turn off to indicate the reset is complete.



E-ODYSSEY featured an electric brake, which is for obstacles in-between, such as cabinet or PC case. It is highly suggested to avoid the human underneath as the height movement. The physical injuries from height adjustment are excluded from the after-service.

GLOBAL WARRANTY POLICY

WARRANTY PERIODS OF COUGAR GAMING DEVICES
Product : E-ODYSSEY Electric Gaming Desk
Warranty : 2-Year for Electric Parts, 5-Year for Lifting Column
This warranty gives you specific legal rights. You may also have other rights granted under local law. These rights may vary.

WARRANTY AGREEMENT

-If the product has defects in material or manufacture, COUGAR will provide product repair and replacement service within the warranty period.
-Our warranty service is based on the date of the invoice or warranty card.

CONDITIONS WHERE FREE MAINTENANCE IS NOT PROVIDED

- Any fault or damage caused by natural disasters (including storm, fire, flood, thunder, earthquake, etc).
- Any fault or damage caused by accidental factors and man-made reasons (including hit, scrape, crash, moving, compression, stain, corrosion, riot, misuse, malicious damage, etc).
- Use in an improper operating environment (including high temperature, high humidity, water inflow, etc).
- Inability to provide the product warranty card, purchase receipt or invoice to prove the product is still within the warranty period and the shipping date of the product is out of warranty.
- The warranty card has been altered or its number is hard to identify.
- The warranty period has expired.
- Any fault or damage caused by non-compliance with regulations stated on the user manual or improper, rough and careless treatment.
- Any fault or damage caused by use of parts not certified by COUGAR original manufacturer.
- The problem is caused by improper repair or adjustment by the buyer or any manufacturer without authorization from COUGAR.
- The product is not acquired from an authorized distributor of the company or is acquired from illicit sources.
- Paper carton, instruction and other accessories are not warranted.

DISCLAIMERS

- COUGAR products should not be used as critical components in life support devices.
- COUGAR is not liable for any damage of life and limb or damage or loss of property caused by or during COUGAR products' use as or with medical equipment, military equipment, traffic equipment and disaster prevention systems.
- COUGAR's warranty liability is limited to repair or replacement. The decision on whether to repair or replace belongs exclusively to COUGAR.
- COUGAR is, to the extent not prohibited by law, not liable for any damages; expenses; lost data, revenues, savings or profits; or any incidental or consequential damages happened while the use of a defective product from COUGAR or due to its use.

WARNING

- Please wear protective gloves when assembling the Desk. It is your own responsibility to use appropriate protection to prevent any physical damage.
- Do not use abrasive products or scrub energetically when cleaning. Please stick to gentle products suitable for delicate materials.
- All parts should be checked monthly to confirm their integrity and to make sure that the screws are not loose.
- If any part of the product is or appears to be damaged, missing or loose, please contact the local distributor and do not use the product. WARNING

LEGAL NOTICES

This manual was created by Compucase Enterprise and may not be completely or partially copied, passed on, distributed or stored without written consent by Compucase Enterprise. COUGAR® is a registered brand of Compucase Enterprise Other product and company names mentioned in this documentation may be brands or trademarks of their respective owners. Compucase Enterprise reserves the right to make changes concerning the contents of the manual and the technical data of the product without previous announcement.

MANUFACTURER CONTACT

COUGAR COUGAR USA Technical Service
Tel: (833) 256-3778
www.cougargaming.com Mail:irm@compucaseusa.com

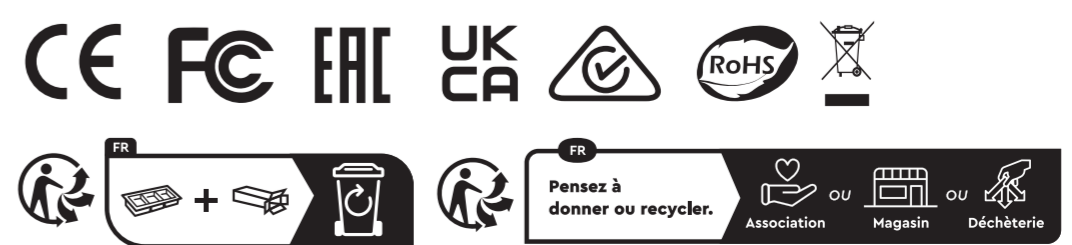
Compucase Enterprise Co., Ltd.
All rights reserved.



Official website

www.cougargaming.com

facebook.com/cougargaming
youtube.com/user/COUGARGLOBAL



Pensez à donner ou recycler. Association OU Magasin OU Déchèterie
<https://avefairemesdechets.fr>