

**TOUCHSCREENS****INFORMATION**

## Practical and cost-effective 17” touchscreen monitor for commercial and industrial environments



The ProLite T1731SR-B2S is designed for workplaces where touch interaction needs to be simple, reliable and practical. Its 5-wire resistive touch technology responds to almost any suitable input method, including a finger, glove, stylus or pen-like tool. This makes it ideal for environments where users work quickly, wear gloves or need dependable touch operation without relying on bare fingers.

With its IP54-rated front surface, the display is protected against dust and splashing water from the front, making it a strong choice for retail counters, restaurants, workshops, warehouses and light industrial applications.

The monitor also offers flexible analogue and digital inputs with USB touch support for easy integration. An adjustable ergonomic stand and integrated cable management help create a clean, comfortable and professional workspace.



## Responsive touch for demanding environments

The resistive touch technology supports input with a finger, gloved hand, stylus or other suitable tools. Its durable design makes it a practical choice for a wide range of environments, from retail and restaurants to industrial applications.



## Reliable where conditions get tough

IP54 protection helps the monitor withstand dusty conditions and splashing water from the front, making it suitable for more demanding environments.



## Comfortable and versatile use

The single-hinge stand allows smooth screen adjustment for comfortable, versatile use - with built-in cable management to keep your workspace neat.



## Enjoy clear, immersive sound

Deliver clear, impactful audio directly from your monitor. Ideal for grabbing attention.

## SPECIFICATION

### 01 DISPLAY CHARACTERISTICS

<b>Design</b>	Thin bezel
<b>Diagonal</b>	17", 43cm
<b>Panel</b>	TN
<b>Native resolution</b>	1280 x 1024 @75Hz (1.3 megapixel)
<b>Aspect ratio</b>	5:4
<b>Panel brightness</b>	250 cd/m <sup>2</sup>
<b>Brightness</b>	195 cd/m <sup>2</sup> with touch
<b>Light transmittance</b>	77%
<b>Static contrast</b>	1000:1 with touch
<b>Response time (BTB)</b>	5ms
<b>Viewing zone</b>	horizontal/vertical: horizontal°/vertical 170°, right/left: 0°/0°, up/down: 0°/0°
<b>Colour support</b>	16.7mln
<b>Horizontal Sync</b>	31 - 80kHz
<b>Viewable area W x H</b>	338 x 270mm, 13.3 x 10.6"
<b>Pixel pitch</b>	0.264mm
<b>Bezel colour and finish</b>	black, matte

### 02 TOUCH

<b>Touch technology</b>	serial resistive
<b>Touch points</b>	1
<b>Touch method</b>	stylus, finger, glove, glove (latex)
<b>Touch interface</b>	USB
<b>Supported operating systems</b>	All iiyama monitors are Plug & Play and compatible with Windows and Linux. For details regarding the supported OS for the touch models, please refer to the driver instruction file available in the downloads section.

### 03 INTERFACES / CONNECTORS / CONTROLS

<b>Analog signal input</b>	VGA x1
<b>Digital signal input</b>	HDMI x1 DisplayPort x1
<b>Audio input</b>	Mini jack x1
<b>Audio output</b>	Speakers 2 x 1W
<b>HDCP</b>	yes

### 04 FEATURES

<b>Extra</b>	anti-glare treatment
--------------	----------------------

<b>Water and dust protection</b>	IP54 (front)
<b>OSD key lock</b>	yes

## 05 GENERAL

<b>OSD languages</b>	EN, DE, FR, ES, IT, PT, RU, JP, NL, PL
<b>Control buttons</b>	Menu, Scroll up/ Brightness, Scroll down/ Mute, Select, Power
<b>User controls</b>	contrast, brightness, lock mode (power, OSD), auto adjust, OSD, H. position, V. position, H-size, fine, OSD H. position, OSD V. position, OSD timeout, reset, input select, OSD language, colour temperature, volume, mute
<b>Convenience</b>	Kensington-lock™ prepared
<b>Plug&amp;Play</b>	DDC2B

## 06 MECHANICAL

<b>Orientation</b>	landscape, face-up
<b>Tilt angle</b>	90° up; 5° down
<b>VESA mounting</b>	100 x 100mm
<b>Cable management system</b>	yes
<b>MTBF</b>	50000 hours

## 07 ACCESSORIES INCLUDED

<b>Cables</b>	power (1.8m), USB (1.8m), HDMI (1.8m), Audio (1.8m), DP (1.8m)
<b>Guides</b>	quick start guide, safety guide
<b>Other</b>	Screwdriver
<b>Cable cover</b>	yes

## 08 POWER MANAGEMENT

<b>Power supply unit</b>	internal
<b>Power supply</b>	AC - 100V, 240V, V,Hz
<b>Power usage</b>	20W typical, 1.5W stand by, 0.3W off mode

## 09 SUSTAINABILITY

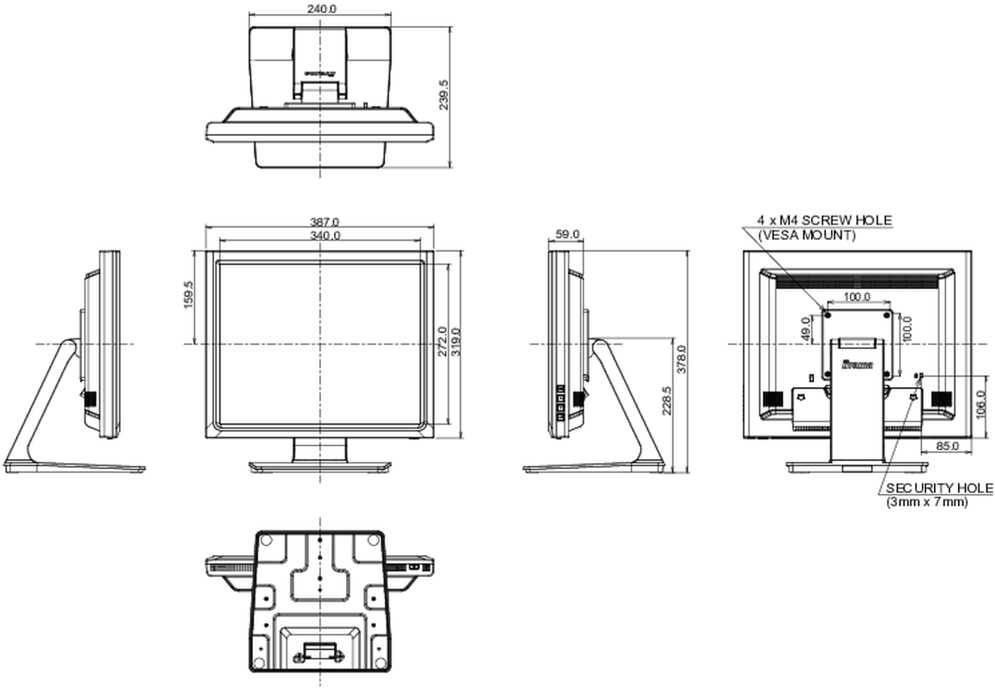
<b>Regulations</b>	CE, EAC, VCCI-B, RoHS support, ErP, WEEE, cULus, REACH, UKCA
<b>Energy efficiency class (Regulation (EU) 2017/1369)</b>	E
<b>REACH SVHC</b>	above 0.1%: Lead, Lead monoxide (lead oxide)

## 10 DIMENSIONS / WEIGHT

<b>Product dimensions</b>	387 x 378 x 239.5mm
<b>W x H x D</b>	

<b>Box dimensions W x H x D</b>	470 x 445 x 180mm
<b>Weight (without box)</b>	5.4kg
<b>Weight (with box)</b>	7.3kg

**EAN code** 4948570127702







All trademarks and registered trademarks acknowledged. E & O E. Specification subject to change without notice. All LCD's comply with ISO-9241-307:2008 in connection with pixel defects. © IIYAMA CORPORATION. ALL RIGHTS RESERVED