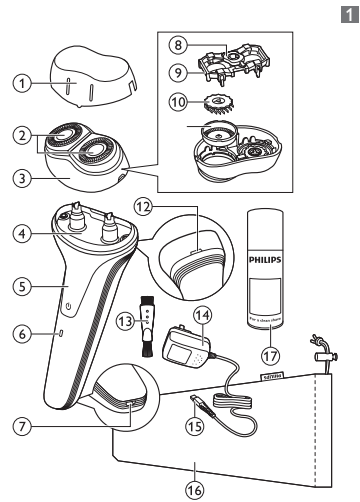




**PHILIPS**



**PHILIPS**

产品 : 飞利浦电动剃须刀  
 型号 : PQ222, PQ225, PQ226  
 PQ227, PQ229, PQ288  
 额定电压 : 220V ~  
 额定频率 : 50Hz  
 额定输入功率: 4 W  
 生产日期 : 请见产品本体  
 产地 : 中国广东珠海

珠海经济特区飞利浦家庭电器有限公司  
 中国珠海市三灶镇琴石工业区  
 全国顾客服务热线: 4008 800 008

本产品根据国标 GB4706.1-2005, GB4706.9-2008  
 制造

请妥善保管本使用说明书  
 发行日期 : 03/01/2013

**ENGLISH**

**Introduction**

Congratulations on your purchase and welcome to Philips! To fully benefit from the support that Philips offers, register your product at [www.philips.com/welcome](http://www.philips.com/welcome).

**General description (Fig. 1)**

- 1 Protection cap
- 2 Shaving heads
- 3 Shaving unit
- 4 Hair chamber
- 5 On/off button
- 6 Charging light
- 7 Socket for micro USB plug
- 8 Wheel of retaining frame
- 9 Retaining frame
- 10 Cutter
- 11 Guard
- 12 Release button
- 13 Cleaning brush
- 14 Adapter
- 15 Micro USB plug
- 16 Storage pouch (PQ288 only)
- 17 Philips Cleaning Spray (HQ110) (Optional)

**Important**

Read this user manual carefully before you use the appliance and save it for future reference.

**Danger**

- Warning: Keep the appliance and the adapter dry.
- This symbol means: Forbidden to clean under a running tap (Fig. 2).

**Warning**

- The adapter contains a transformer. Do not cut off the adapter to replace it with another plug, as this causes a hazardous situation.
- Warning: Do not use this appliance close to a bathtub, shower or other containers filled with water.
- This appliance is not intended for use by persons (including children) with reduced physical, sensory or mental capabilities, or lack of experience and knowledge, unless they have been given supervision or instruction concerning use of the appliance by a person responsible for their safety.

- Children should be supervised to ensure that they do not play with the appliance.

**Caution**

- Do not use the shaver or the adapter if it is damaged.
- Only use the adapter supplied to charge the appliance.
- If the adapter is damaged, always have it replaced with one of the original type in order to avoid a hazard.
- Charge, use and store the shaver at a temperature between 5°C and 35°C.
- Do not use the shaver in combination with pre-shave lotions, creams, foams, gels or other cosmetic products.

**General**

- The adapter transforms 100-240 volts to a safe low voltage of less than 24 volts.

**Compliance with standards**

- This Philips appliance complies with all standards regarding electromagnetic fields (EMF). If handled properly and according to the instructions in this user manual, the appliance is safe to use based on scientific evidence available today.
- This shaver complies with the applicable IEC safety standards.

**Charging**

Make sure the shaver is switched off when you start to charge it. When you charge the shaver for the first time or after a long period of non-use, let it charge continuously for 12 hours. Charging normally takes approx. 8 hours. Charge the appliance when the motor stops or starts running slower. For optimal performance, only charge the shaver when the battery is low.

**Do not leave the appliance connected to the mains for more than 24 hours.**

- 1** Put the micro USB plug in the shaver (Fig. 3).
- 2** Put the adapter in the wall socket.
  - ▶ The charging light goes on to indicate that the appliance is charging (Fig. 4).

*Note: Charge the shaver for at least 8 hours but not more than 24 hours.*



- Remove the adapter from the wall socket and pull the micro USB plug out of the shaver when the battery is fully charged (Fig. 5).

*Note: The shaver does not run from the mains. When the battery is empty, you have to recharge the battery before you can use the shaver again.*

### Cordless shaving time

A fully charged shaver has a cordless shaving time of approximately 30 minutes.

### Using the appliance

*Note: The shaver cannot be used directly from the mains.*

- Remove the protection cap.
- Press the on/off button to switch on the shaver (Fig. 6).
- Move the shaving heads over your skin. Make both straight and circular movements (Fig. 7).

*Note: Shave on a dry face only. Do not use the shaver in combination with gel, foam or water.*

*Note: Your skin may need 2 or 3 weeks to get accustomed to the Philips shaving system.*

- Press the on/off button to switch off the shaver.
- Clean the shaver after every shave (see chapter 'Cleaning and maintenance').
- Put the protection cap on the shaver to prevent damage and to avoid dirt accumulation in the shaving heads (Fig. 8).

*Note: Make sure that the lug of the protection cap covers the release button.*

### Cleaning and maintenance

Never use scouring pads, abrasive cleaning agents or aggressive liquids such as petrol or acetone to clean the appliance.

Clean the shaver after every shave to guarantee better shaving performance. For the best cleaning result, we advise you to use Philips Cleaning Spray (HQ110). Ask your Philips dealer for information.

*Note: Philips Shaving Head Cleaning Spray (HQ110) may not be available in all countries. Contact the Consumer Care Centre in your country about the availability of this accessory.*

### After every shave: shaving unit and hair chamber

- Switch off the shaver, remove the adapter from the wall socket and pull the micro USB plug out of the shaver.
- Clean the top of the appliance with the cleaning brush supplied (Fig. 9).
- Press the release button (1) and pull the shaving unit in a straight upward movement off the shaver (2). (Fig. 10)
- Clean the inside of the shaving unit with the cleaning brush (Fig. 11).
- Clean the hair chamber with the cleaning brush (Fig. 12).
- Put the shaving unit back onto the shaver (Fig. 13).

### Every two months: shaving heads

*Note: Do not use cleaning agents or alcohol to clean the shaving heads. Only use Philips Cleaning Spray (HQ110).*

- Switch off the shaver, remove the adapter from the wall socket and pull the small plug out of the shaver.
- Press the release button (1) and pull the shaving unit in a straight upward movement off the shaver (2) (Fig. 10).
- Turn the orange wheel anticlockwise (1) and remove the retaining frame (2) (Fig. 14).
- Remove and clean one shaving head at a time. Each shaving head consists of a cutter and a guard (Fig. 15).

*Note: Do not clean more than one cutter and guard at a time, since they are all matching sets. If you accidentally mix up the cutters and guards, it may take several weeks before optimal shaving performance is restored.*

- Remove the guard from the cutter (Fig. 16).
- Clean the cutter with the short-bristled side of the cleaning brush. Brush carefully in the direction of the arrows (Fig. 17).

- Clean the guard with the long-bristled side of the cleaning brush (Fig. 18).

- Put the cutter back into the guard after cleaning (Fig. 19).

- Put the shaving heads back into the shaving unit (Fig. 20).

- Put the retaining frame back into the shaving unit (1) and turn the orange wheel clockwise (2) (Fig. 21).

- Put the shaving unit back onto the shaver (Fig. 13).

### Storage

Keep the appliance dry. Use and store the appliance at a temperature between 5°C and 35°C.

- Switch off the shaver.
- Put the protection cap on the shaver after use to prevent damage and to avoid dirt accumulation in the shaving heads (Fig. 8).

*Note: Make sure that the lug of the protection cap covers the release button.*

- Put the shaver in the storage pouch (PQ288 only).

### Replacement

Replace the shaving heads every two years for optimal shaving results. Replace damaged or worn shaving heads with Philips shaving heads only (HQ4+ for China or HQ56 for the rest of the world). For instructions on how to remove the shaving heads, see chapter 'Cleaning and maintenance', section 'Every two months: shaving heads'.

### Ordering accessories

To purchase accessories for this appliance, please visit our online shop at [www.shop.philips.com/service](http://www.shop.philips.com/service). If the online shop is not available in your country, go to your Philips dealer or a Philips service centre. If you have any difficulties obtaining accessories for your appliance, please contact the Philips Consumer Care Centre in your country. You find its contact details in the worldwide guarantee leaflet. To retain the top performance of your shaver, make sure you clean it regularly and replace its shaving heads at the recommended time.

### Shaving heads

- We advise you to replace your shaving heads every two years. Always replace them with Philips shaving heads only (HQ4 for China or HQ56 for the rest of the world) (Fig. 22).

### Cleaning

- Use Philips Cleaning Spray (HQ110) to clean the shaving heads thoroughly.

### Environment

- Do not throw away the appliance with the normal household waste at the end of its life, but hand it in at an official collection point for recycling. By doing this, you help to preserve the environment (Fig. 23).
- The built-in rechargeable battery contains substances that may pollute the environment. Remove the battery before you discard and hand in the appliance at an official collection point. Dispose of the battery at an official collection point for batteries. If you have trouble removing the battery, you can also take the appliance to a Philips service centre. The staff of this centre will remove the battery for you and will dispose of it in an environmentally safe way (Fig. 24).

### Removing the rechargeable battery

Only remove the rechargeable battery when you discard the shaver. Make sure the battery is completely empty when you remove it.

- Remove the adapter from the wall socket and pull the micro USB plug out of the shaver.
- Let the shaver run until it stops and undo the screw at the back of the shaver (Fig. 25).
- Remove the back panel of the shaver with a screwdriver.
- Remove the rechargeable battery.

Do not connect the shaver to the mains again after you have removed the battery.

### Guarantee and service

If you need service or information or if you have a problem, please visit the Philips website at [www.philips.com/support](http://www.philips.com/support) or contact the Philips Consumer Care Centre in your country. You find its phone number in the worldwide guarantee leaflet. If there is no Consumer Care Centre in your country, go to your local Philips dealer.

### Guarantee restrictions

The shaving heads (cutters and guards) are not covered by the terms of the international guarantee because they are subject to wear.

### Troubleshooting

This chapter summarises the most common problems you could encounter with the appliance. If you are unable to solve the problem with the information below, visit [www.philips.com/support](http://www.philips.com/support) for a list of frequently asked questions or contact the Consumer Care Centre in your country.

Problem	Possible cause	Solution
The shaver does not shave as well as it used to.	The shaving heads are dirty. You have not cleaned the shaver well enough or you have not cleaned it for a long time.	Clean the shaving heads thoroughly before you continue shaving. See chapter 'Cleaning and maintenance'.
	Long hairs obstruct the shaving heads.	Clean the cutters and guards with the cleaning brush supplied. See chapter 'Cleaning and maintenance', section 'Every two months: shaving heads'.

Problem	Possible cause	Solution
You mixed up the cutters and guards when you placed them back into the retaining frame after cleaning.	Put each cutter in the other guard. If you do not switch the cutters, it may take 2 to 3 weeks until optimal shaving performance is restored.	
The shaving heads are damaged or worn.	Replace the shaving heads. See chapter 'Replacement'.	
The shaver does not work when I press the on/off button.	The rechargeable battery is empty.	Recharge the battery. See chapter 'Charging'.
My skin is irritated after shaving.	Your skin needs time to get used to the Philips shaving system.	Skin irritation during the first 2-3 weeks of use is possible. After this period, the skin irritation usually disappears.
The rotation speed of the shaving heads is slower than usual.	Too much dirt has collected in the shaving heads.	Clean the shaving heads. See chapter 'Cleaning and maintenance'.
	The rechargeable battery is low.	Recharge the battery. See chapter 'Charging'.

Problem	Possible cause	Solution
The appliance makes a strange noise.	Too much dirt has collected in the shaving heads.	Clean the shaving heads. After cleaning, lubricate the central point on the inside of the guards with Philips Cleaning Spray (HQ110). See chapter 'Cleaning and maintenance'.
	The shaving heads are damaged or worn.	Replace the shaving heads. See chapter 'Replacement'.

## 简体中文

### 简介

感谢您的惠顾，欢迎光临飞利浦！为了您能充分享受飞利浦提供的支持，请在 [www.philips.com/welcome](http://www.philips.com/welcome) 上注册您的产品。

### 基本说明 (图 1)

- 1 保护盖
- 2 剃须刀头
- 3 剃毛刀头部件
- 4 毛发储藏室
- 5 开/关按钮
- 6 充电指示灯
- 7 微型 USB 插头接口
- 8 固定架的滚轮
- 9 固定架
- 10 刀片
- 11 网罩
- 12 释放钮
- 13 清洁刷
- 14 适配器
- 15 微型 USB 插头
- 16 存储袋 (仅限于 PQ288)
- 17 飞利浦清洁喷雾剂 (HQ 110) (可选)

### 注意事项

使用本产品之前，请仔细阅读本产品使用说明书，并妥善保管以备日后参考。

- 危险  
警告：让产品和电源适配器保持干燥。
- 警告符号注释：禁止用在打开的水龙头下进行清洗。(图 2)
- 警告  
电源适配器内含有一个变压器。切勿自行更换插头，否则将导致严重后果。
- 警告：不要在盛水的浴缸、淋浴、洗脸盆或其他器皿附近使用本器具。
- 肢体不健全、精神有障碍及缺乏相关经验和知识的人（包括儿童）必须在监护人的监督及指导下使用。
- 请照顾好儿童，本产品不能用于玩耍。

### 注意

- 如果剃须刀或适配器已损坏，请勿再使用。
- 为产品充电，须用随产品提供的电源适配器。
- 如果适配器已损坏，则务必更换原装型号适配器，以免发生危险。
- 必须在 5 摄氏度至 35 摄氏度之间的温度下充电、使用和存放剃须刀。
- 请勿将本剃须刀与剃须润滑液、面霜、泡沫、凝胶或其它护肤产品结合使用。

### 概述

- 电源适配器可将 100-240 伏的电压转换为 24 伏以下的安全低电压。

### 符合标准

- 这款飞利浦产品符合关于电磁场 (EMF) 的相关标准。据目前的科学证明，如果正确使用并按照本用户手册中的说明进行操作，本产品是安全的。
- 这款剃须刀符合 IEC 家电安全标准。

### 充电

请确保开始充电前，剃须刀电源已关闭。如果是第一次为剃须刀充电，或长时间未使用后充电，应让其连续充电 12 小时。充电通常需要约 8 小时。当马达停转或转速开始下降时，为产品充电。为确保最佳性能，只能在电池电量不足时为剃须刀充电。

**不要将本产品与电源接通超过 24 小时。**

- 1 将微型 USB 插头插入剃须刀。(图 3)

- 2 将电源适配器插入电源插座。  
▶ 充电指示灯亮起，表示剃须刀正在充电。(图 4)

注意：至少让剃须刀充电 8 小时，但不要超过 24 小时。

- 3 电池充满后，从电源插座上拔下适配器，并从剃须刀上拔出微型 USB 插头。(图 5)

注意：本剃须刀不能插电使用。当电池电量耗尽时，请在再次使用剃须刀前为电池充电。

### 不接电源的剃须时间

完全充电的剃须刀在不连接电源的情况下最长可使用达 30 分钟。

### 使用本产品

注意：剃须刀不能连在电源上直接使用。

- 1 取下保护盖。
- 2 按下开/关按钮启动剃须刀。(图 6)
- 3 将剃须刀头在皮肤上移动。作直线和迂回动作。(图 7)

注意：仅限在干爽的面部剃须。请勿将本剃须刀与凝胶、剃须泡沫或水结合使用。

注意：您的皮肤可能需要 2 到 3 周才能适应飞利浦剃须系统。

- 4 按开/关按钮关闭剃须刀电源。
- 5 每次剃须后均应清洁剃须刀 (见“清洁和保养”一章)。
- 6 请盖上剃须刀保护盖，以防止损坏剃须刀头并避免其内积聚灰尘。(图 8)

注意：确保保护盖的凸缘盖住释放钮。

### 清洁和保养

**不要使用钢丝球、研磨性清洁剂或腐蚀性液体 (例如汽油或丙酮) 来清洁产品。**

每次剃须后均应清洁剃须刀，以保证更好的剃须效果。为了获得最佳的清洁效果，建议您使用飞利浦清洁喷雾剂 (HQ110)。有关详情，请咨询飞利浦经销商。

注意：并非所有国家/地区都销售飞利浦剃须刀头清洁喷雾剂 (HQ110)。请向当地的客户服务中心了解是否有售。

**每次剃须后：清洗剃须刀头部件和胡茬储藏室**

- 1 关闭剃须刀电源，从电源插座上拔下适配器，并从剃须刀上拔下微型 USB 插头。
- 2 用随附的清洁刷清洁产品顶部。(图 9)
- 3 按释放按钮 (1)，垂直向上移动剃须刀头部件，将其从剃须刀 (2) 中拉出。(图 10)
- 4 用清洁刷清洁剃须刀头部件的内侧。(图 11)
- 5 用清洁刷清洁胡茬储藏室。(图 12)
- 6 将剃须刀头组件重新安装到剃须刀上。(图 13)

**每两个月：清洁剃须刀头**

注意：请勿使用清洁剂或酒精来清洁剃须刀头。只能使用飞利浦清洁喷雾剂 (HQ110)。

- 1 关闭剃须刀电源，从电源插座上拔下适配器，并从剃须刀上拔下小插头。
- 2 按释放按钮 (1)，垂直向上移动剃须刀头部件，将其从剃须刀 (2) 中拉出。(图 10)
- 3 逆时针转动橙色轮轴 (1) 并取下固定架 (2)。(图 14)
- 4 一次取下并清洁一个剃须刀头。每个剃须刀头包含一组刀片和网罩。(图 15)

注意：不要同时清洁多组刀片和网罩，因为它们都是相互匹配的。如果不小心将刀片和网罩弄混，则需要数周时间才能恢复产品的最佳剃须性能。

- 5 从刀片上卸下网罩。(图 16)
- 6 用清洁刷的短毛一侧清洁刀片。按箭头方向小心地清洁。(图 17)
- 7 用清洁刷的长毛一侧清洁网罩。(图 18)
- 8 清洁后，将刀片重新装回至网罩。(图 19)
- 9 将剃须刀头重新放入剃须刀头部件。(图 20)

**10** 将固定架放回剃须刀头部件内 (1)，并沿顺时针方向转动橙色轴轮 (2)。(图 21)

**11** 将剃须刀头组件重新安装到剃须刀上。(图 13)

### 存储

保持器具干燥。  
必须在 5° C 至 35° C 之间的温度下使用和存放本产品。

**1** 关闭剃须刀。

**2** 使用后请盖上剃须刀保护盖，以防止损坏剃须刀头并避免其内积聚灰尘。(图 8)

注意：确保保护盖的凸缘盖住释放钮。

**3** 请将剃须刀放入存储袋（仅限于 PQ288）。

### 更换

每两年更换一次刀头以获得最佳的剃须效果。  
只能使用飞利浦剃须刀头（适用于中国的 HQ4+ 或适用于世界其他各地的 HQ56）更换损坏或磨损的剃须刀头。有关如何拆卸剃须刀头的说明，请参阅“清洁和保养”一章中的“每两个月：清洁剃须刀头”部分。

### 订购附件

要购买本产品的附件，请访问我们的在线商城 [www.shop.philips.com/service](http://www.shop.philips.com/service)。如果您的国家/地区没有在线商城，请联系您的飞利浦经销商或飞利浦服务中心。如果您在购买产品的附件时遇到困难，请联系您所在国家/地区的飞利浦客户服务中心。可在全球保修卡中找到其详细联系信息。  
为了保持剃须刀的最佳性能，请确保定期清洁并在推荐的时间更换剃须刀头。

### 剃须刀头

- 建议您每两年更换一次剃须刀头。务必仅使用飞利浦剃须刀头（适用于中国的 HQ4 或适用于世界其他各地的 HQ56）进行更换。(图 22)

### 清洁

- 使用飞利浦清洁喷雾剂 (HQ110) 彻底清洁剃须刀头。

### 环保

- 弃置产品时，请不要将其与一般生活垃圾堆放在一起：应将其交给官方指定的回收点。这样做有利于环保。(图 23)
- 内置充电电池含有可能会污染环境的物质。弃置产品并将产品送到官方指定的回收站之前，应将电池取出。到官方指定的电池回收站处理电池。如果您在取出电池时遇到问题，您也可以将产品送至飞利浦维修中心。维修中心的员工会帮您取出电池，并以环保的方式进行处理。(图 24)

### 卸下充电电池

只有在丢弃剃须刀时才可取下充电电池。请确保在取下电池时电量已完全耗尽。

**1** 从电源插座上拔出适配器，并从剃须刀上拔出微型 USB 插头。

**2** 让剃须刀运行直到停止，拧下剃须刀背部的螺钉。(图 25)

**3** 使用螺丝刀卸下剃须刀的背部面板。

**4** 卸下充电电池。

取出电池之后，不要再将剃须刀与电源连接在一起。

### 保修与服务

如果您需要服务或信息，或者有任何疑问，请访问飞利浦网站：[www.philips.com/support](http://www.philips.com/support)。您也可与您所在国家/地区的飞利浦客户服务中心联系（可从全球保修卡中找到其电话号码）。如果您所在的国家/地区没有飞利浦客户服务中心，请与当地的飞利浦经销商联系。

### 保修条款

由于剃须刀头（刀片和网罩）属于易磨损物品，因此不在国际保修条款的涵盖范围之列。

### 故障种类和处理方法

本章归纳了使用本产品时最常见的一些问题。如果您无法根据以下信息解决问题，请访问 [www.philips.com/support](http://www.philips.com/support) 查阅常见问题列表，或联系您所在国家/地区的客户服务中心。

问题	可能的原因	解决方法
剃须刀的剃须效果没有以前好。	剃须刀头变脏。您没有将剃须刀清洁干净，或长时间未清洁过剃须刀。	先彻底清洁剃须刀头，再继续剃须。请参阅“清洁和维护”一章。
	过长的胡须堵塞了剃须刀头。	用随附的清洁刷清洁刀片和网罩。见“清洁和保养”中“每两个月：剃须刀头”部分。
	您清洁后将刀片和网罩装回固定架时弄混了刀片和网罩。	您将刀片放到了其他网罩中。如果您不调换刀片，可能要花 2 至 3 周的时间才能恢复最佳剃须状态。
	剃须刀头已损坏或磨损。	更换剃须刀头。见“更换”一章。
按下开/关按钮时，剃须刀不工作。	充电电池的电量已耗尽。	给电池充电。见“充电”一章。
我在剃须后出现皮肤过敏。	您的皮肤需要一定的时间来适应飞利浦剃须刀。	在前 2-3 周的使用过程中，可能会出现皮肤过敏。在此之后，皮肤过敏通常会消失。
剃须刀头的转速比平时慢。	剃须刀头中积聚了太多的灰尘。	清洁剃须刀头。请参阅“清洁和保养”一章。
	充电电池的电量不足。	给电池充电。见“充电”一章。

问题	可能的原因	解决方法
产品发出奇怪的噪音。	剃须刀头中积聚了太多的灰尘。	清洁剃须刀头。清洁后，用飞利浦清洁喷雾剂 (HQ110) 润滑网罩内侧的中央点。请参阅“清洁和保养”一章。
	剃须刀头已损坏或磨损。	更换剃须刀头。见“更换”一章。