

CPU-D075BLACK/LK

NEOMOUNTS CPU-D075BLACK/LK CPU HOLDER - LOCKABLE - MAX 10 KG - UNIVERSAL

SPECIFICATIONS

GENERAL

Min. weight	0
Max. weight	10

FUNCTIE

Type	Fixed
Height adjustment	20-36 cm
Width adjustment	5-10 cm
Lockable	Lockable - Lock included
Adjustment type	Manual

INFORMATION

Color	Black
Main material	Steel
Warranty	5 year

*Please note: The inch sizes stated are just an indication, combined with the weight and VESA sizes. The maximum weight and VESA size are absolute restrictions for the products and should not be exceeded.



Neomounts



Neomounts

Neomounts CPU-D075BLACK/LK CPU/PC holder - max 10 kg - lockable (incl. lock) - h 20-36 cm - w 5-10 cm - universal - black

This Neomounts CPU mount, model CPU-D075BLACK/LK, allows you to mount a computer under a desk and to secure it using a locking system. A CPU mount creates a neat and clean desk because it is stored under the desk and doesn't use any valuable desk space. Increase the lifetime of your CPU due to reduction in dust and dirt from floors. Keep the workplace clean without computers on the floor.

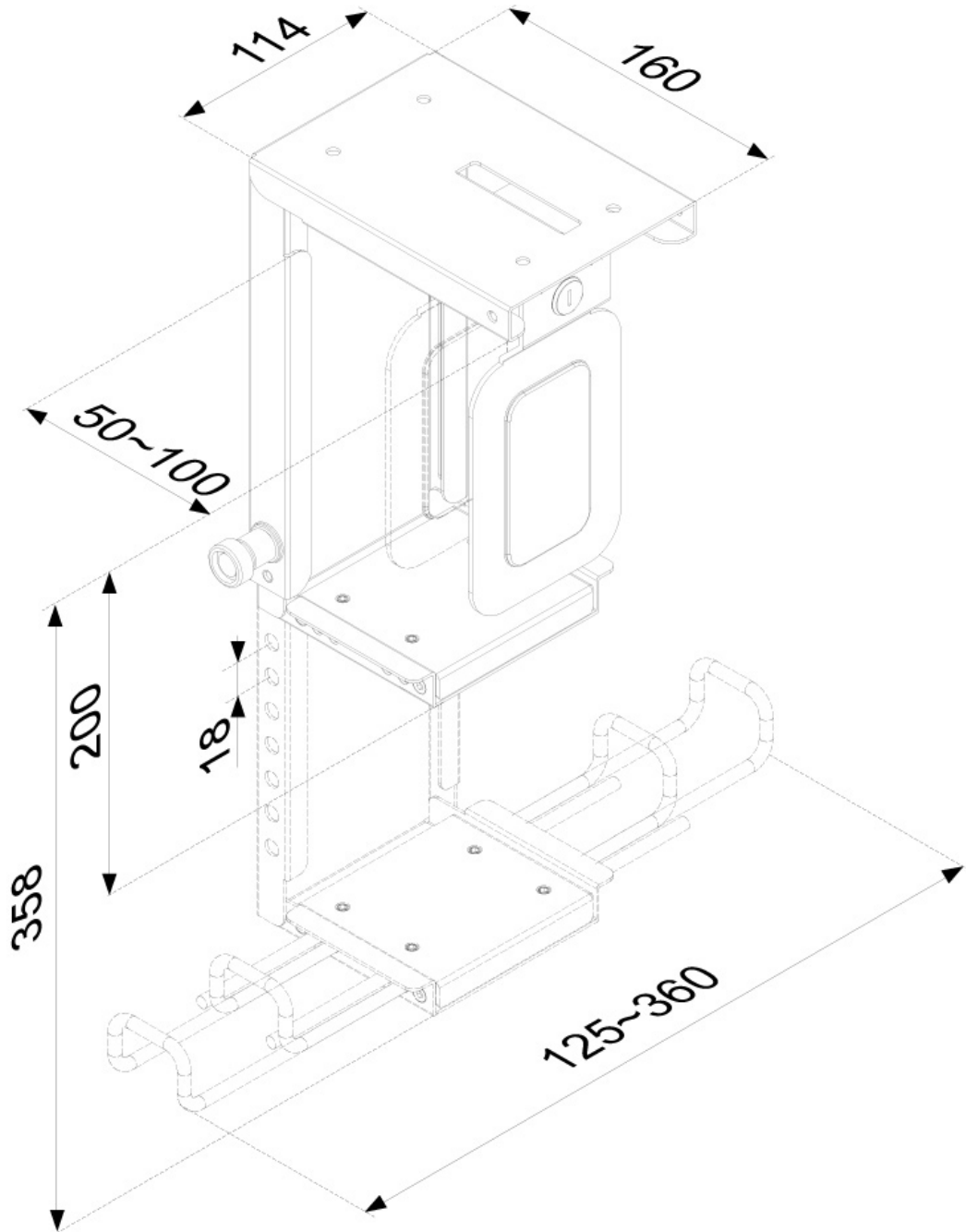
This Neomounts CPU mount allows vertical installation of computers. Hide your cables and keep the workplace nice and tidy.

Easy to adjust in width and depth to fit most desktop and tower PCs. The specifications listed show maximum and minimum width and depth of the mount.

All installation material is included with the product.

CPU-D075BLACK/LK

NEOMOUNTS CPU-D075BLACK/LK CPU HOLDER -
LOCKABLE - MAX 10 KG - UNIVERSAL



Neomounts

Measuring unit: mm