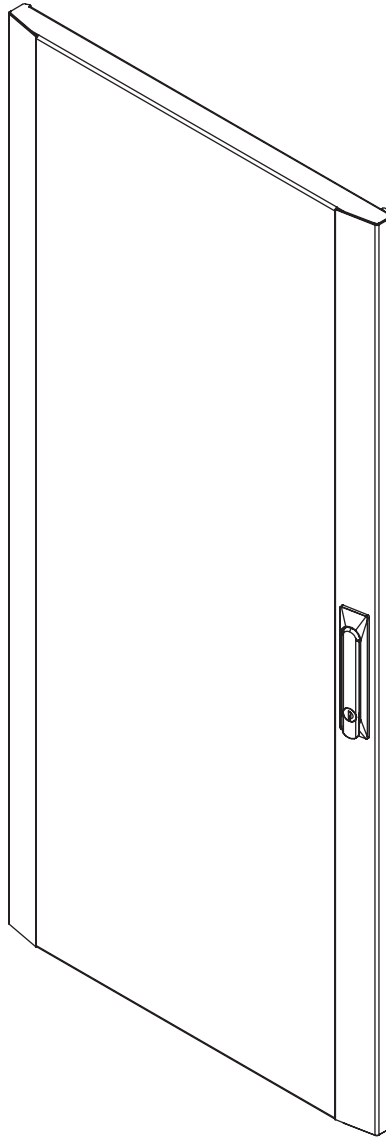


INSTRUCTION SHEET
BGR SERIES
FRONT DOOR OPTION



THANK YOU

Thank you for purchasing an BGR Series Front Door option. Please read these instructions thoroughly before installing or assembling this product.

PRODUCT FEATURES

- BGR Series locking full door available in plexiglass, vented, and solid options.
- Door may be installed to open from the left or right.
- Accepts industry-standard (25mm x 150mm) handle.

**MIDDLE
ATLANTIC.**

A brand of **legrand**

I-00495

Rev A



©2026 | Legrand AV Inc All rights reserved.

Information in this document is subject to change without notice. The AV equipment described in this document is furnished under a license agreement or nondisclosure agreement. The equipment may be used or copied only in accordance with the terms of those agreements. No part of this publication may be reproduced, stored in a retrieval system, or transmitted in any form or any means electronic or mechanical, including photocopying and recording for any purpose other than the purchaser's personal use without the written permission of Legrand AV Inc.

Middle Atlantic is a brand of Legrand AV Inc.

www.legrandav.com | Phone: (866) 977-3901 | Fax: (877) 894-6918 | Email: av.middleatlantic.techsupport@legrand.com

Visit us at www.legrandav.com for firmware updates, specifications, drawings, manuals, technical support information, and more.

Middle Atlantic is a registered trademark of Legrand AV Inc.

Legrand AV Inc is an ISO 9001 and ISO 14001 Registered Company.

All patents are protected under existing designations. Other patents pending. For more information, refer to the Patents page on the website at <https://www.legrandav.com/resources/patents>.

All other brand names or marks are used for identification purposes and are trademarks of their respective owners.

Legrand AV Inc Brands: Connectrac | C2G | Chief | Da-Lite | Luxul | Middle Atlantic | Nuvo | On-Q | Sanus | Vaddio | Vantage | Wiremold

IMPORTANT SAFETY INSTRUCTIONS

- Read these instructions.
- Heed all warnings.
- Clean only with dry cloth.
- Keep these instructions.
- Follow all instructions.
- Only use attachments/accessories specified by the manufacturer.



DANGER HAZARDOUS VOLTAGE: The lightning flash with the arrowhead symbol, within an equilateral triangle is intended to alert the user to the presence of uninsulated dangerous voltage within the product's enclosure that may be of sufficient magnitude to constitute a risk of electric shock to persons.



WARNING: A warning alerts you to a situation that could result in serious personal injury or death.



CAUTION: A caution alerts you to a situation that may result in minor personal injury or damage to the product and/or property.

NOTE: A note is used to highlight procedures pertaining to the installation, operation, or maintenance of the product.



WARNING: Failure to read, understand and follow the following information can result in serious personal injury, damage to the equipment or voiding of the warranty.



CAUTION: All installation and assembly steps must be performed by qualified personnel.



CAUTION: Ensure that the floor has a structural load capacity that will support the weight of the cabinet fully loaded with equipment.



CAUTION: The following parts are not effectively bonded to the protective earth terminal: Rack rails, lace bars, Lever Lock™, shelves, baffle, blanking panels, fans, and cable management. If any part needs to be bonded to the protective earth terminal it shall be done in accordance with Article 250 of the National Electrical Code.



CAUTION: To reduce the risk of personal injury and conform to the UL listing, the system must be grounded and bonded in accordance with Article 250 of the National Electrical Code.



CAUTION: Power cord, for fans or other accessories, need to be secured to ensure that they are routed away from pinch points and moving parts.



CAUTION: To reduce the risk of personal injury, these mounting instructions must be followed and proper weight capacities must be observed.



CAUTION: Watch hands and fingers around pinch points.



CAUTION: Individual components mounted inside of the wall mount rack must have their own fire enclosure.



INSTRUCTIONS IMPORTANTES SUR LA SÉCURITÉ

- Lire ces instructions.
- Respectez tous les avertissements.
- Nettoyer uniquement avec un chiffon sec.
- Conservez ces instructions.
- Suivez toutes les instructions.
- N'utilisez que des accessoires spécifiés par le fabricant.



DANGER TENSION DANGEREUSE: Le symbole de la pointe de flèche, dans un triangle équilatéral, est destiné à alerter l'utilisateur sur la présence de tension dangereuse non isolée dans l'enceinte du produit qui peut être d'une ampleur suffisante pour constituer un risque d'électrocution.



AVERTISSEMENT: Un avertissement vous avertit d'une situation pouvant entraîner des blessures graves ou la mort.



ATTENTION: Une attention vous avertit d'une situation pouvant entraîner des blessures mineures ou des dommages au produit et/ou à la

REMARQUE: Une remarque est utilisée pour mettre en évidence les procédures relatives à l'installation, au fonctionnement ou à l'entretien du produit.



AVERTISSEMENT: Ne pas lire, comprendre et suivre les informations suivantes peut entraîner des blessures graves, des dommages à l'équipement ou de la nullité de la garantie.



ATTENTION: Toutes installation et de montage étapes doivent être effectuées par du personnel qualifié.



ATTENTION: Veiller à ce que le sol a une capacité de charge structurelle qui supporter le poids de le cabinet entièrement chargé avec l'équipement.



ATTENTION: Les pièces suivantes ne sont pas correctement liés à la borne de terre de protection: rails de rack, des bars de dentelle, Lever Lock™, des étagères, des chicanes, des panneaux d'obturation, ventilateurs, et la gestion des câbles. Si une partie doit être lié à la borne de terre de protection, il doit être fait conformément à l'article 250 du Code national de l'électricité.



ATTENTION: Pour réduire le risque de blessure et se conformer à la liste UL, le système doit être mis à la terre et collé conformément à l'article 250 du Code national de l'électricité.



ATTENTION: Le cordon d'alimentation, pour les fans ou autres accessoires, doivent être fixé à veiller à ce que ils sont acheminés loin des points de pincement et des pièces mobiles.



ATTENTION: Pour réduire le risque de blessures, ces instructions de montage doivent être respectées et les capacités de poids appropriées doivent être respectées.



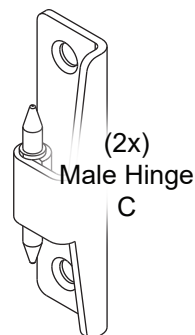
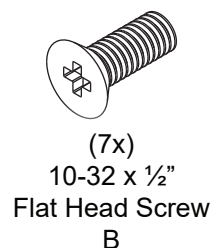
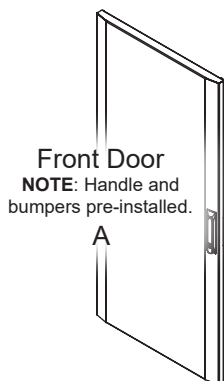
ATTENTION: Observez les mains et les doigts autour des points de pincement.



ATTENTION: Les composants individuels montés à l'intérieur de montage mural doivent avoir leur propre armoire à incendie.

SUPPLIED COMPONENTS AND HARDWARE

If any pieces are missing or damaged, please report it immediately to Technical Support at av.support@legrand.com or (866) 977-3901.



NOTE:

- To order more hardware, contact support at av.support@legrand.com or (866) 977-3901.
- Additional hardware is included that may not be required for your installation.

REQUIRED TOOLS

- Power Driver
- #2 Phillips Bit
- #2 Phillips Screwdriver



WARNING: Use tools with caution and follow all necessary safety protocols.

AVERTISSEMENT: Utiliser des outils avec prudence et suivre tous les protocoles de sécurité nécessaires.

INTRODUCTION

Some customers purchase BGR enclosures with a front door (A) pre-configured on it. Others purchase doors after the rack.

This instruction sheet shows you how to install, remove and reverse the front door in order to accommodate all scenarios.

INSTALLING THE DOOR

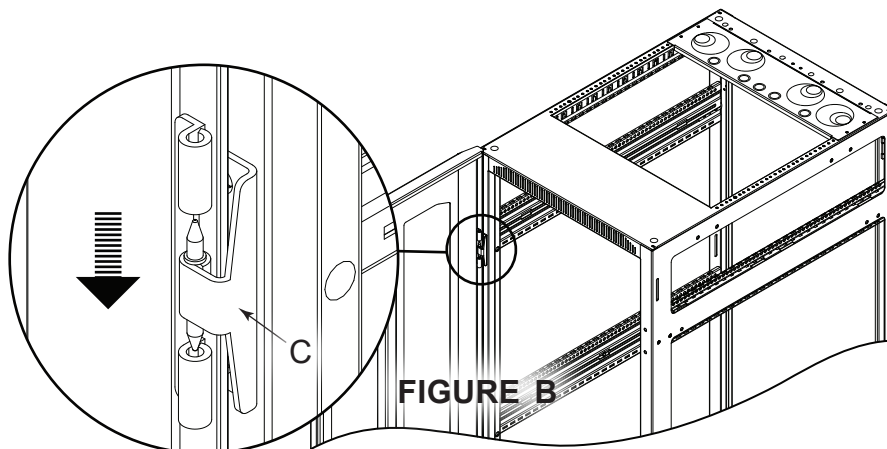
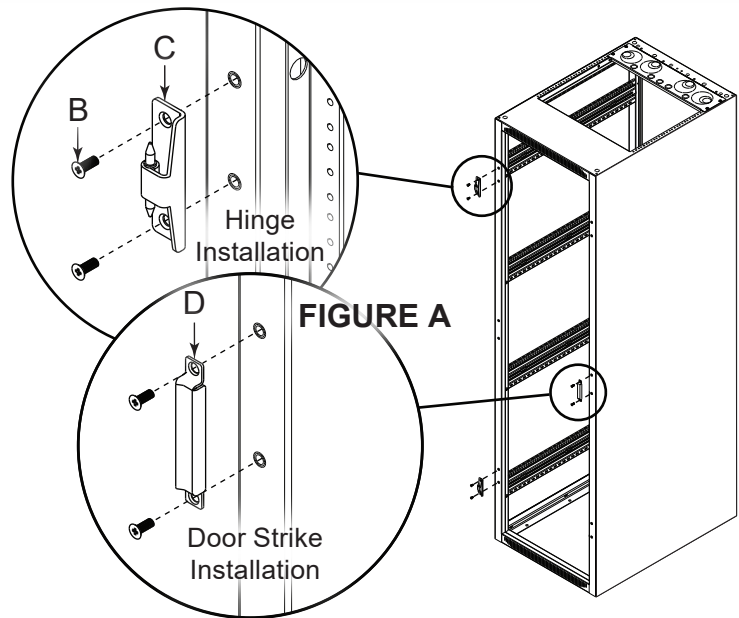
NOTE:

- Your door (A) may be installed with the hinges on either side of the enclosure depending on desired door swing direction.

For more information, see “Reversing the Door” on page 5.

- Adjust torque on power driver to lightest setting and only increase as necessary.

1. Use power driver, #2 Phillips bit, and (4x) 10-32 screws (B) to attach both male hinges (C) to the enclosure as shown. **(FIGURE A)**
2. Use (2x) 10-32 screws (B) to attach the door strike (D) to the enclosure.
3. Hang your door (A) onto the hinge pins (C) as shown. **(FIGURE B)**



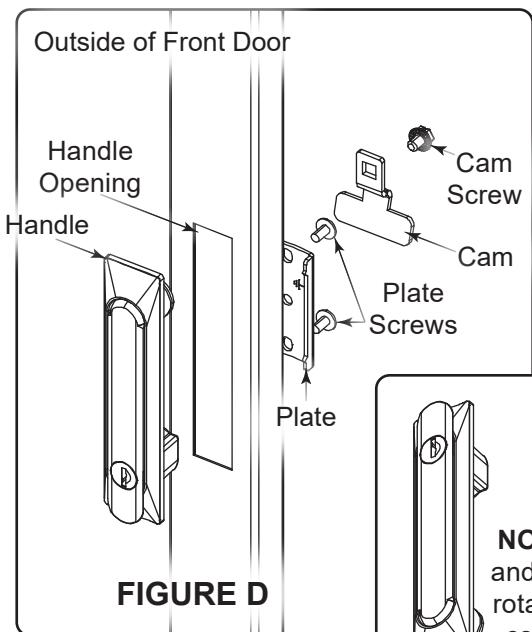
REVERSING THE DOOR (OPTIONAL)

NOTE:

- Your door (A) may be installed with the hinges on either side of the opening on the front of your enclosure (depending on desired door swing direction) using the steps in this topic.
- Adjust torque on power driver to lightest setting and only increase as necessary.

1. If a door is not currently installed on the front of your enclosure, skip to step 8.
2. If a door is currently installed on the front of your enclosure, carefully lift the door up and off the top male hinge, then the bottom hinge, and set it aside.
4. Use power driver and Phillips bit to remove 10-32 x 1/2" flat head screws (B) and male hinges (C) from the front of your enclosure.
5. Install the same screws and male hinges to the opposite side of the enclosure.
6. Remove screws and door strike from the enclosure.
7. Install the same screws and door strike to the opposite side of the enclosure.
8. Carefully rotate the door.
9. With the door fully rotated, notice how the handle and cam are upside-down. (**FIGURE C**)

NOTE: The cam is located behind the handle and not visible from Figure C, but is visible from Figure D.



10. Use power driver and Phillips bit to disassemble the handle assembly in the cam screw, cam, plate screws, plate, and handle order as shown. (**FIGURE D**)

11. Rotate the handle and cam right-side up before putting the handle assembly back together.

12. Complete your door installation as follows:

- **If a door was not already installed before starting the reversal procedure:** see "Installing the Door" on page 4 to attach your hinges, strike, and hang the door.
- **If a front door was installed before starting this reversal procedure:** see "Installing the Door" starting at step 3.

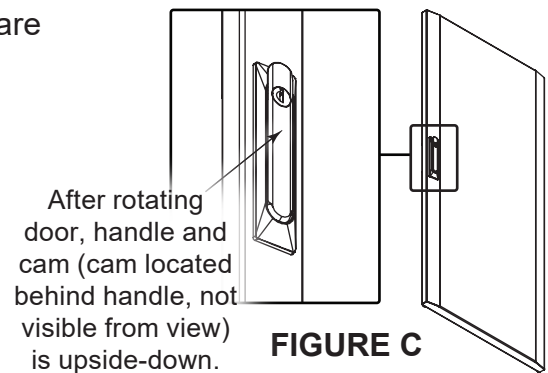


FIGURE C

WARRANTY

For warranty information, refer to www.legrandav.com/policies/warranty_information.

Contacting Corporate Headquarters

P: (866) 977-3901 | F: (877) 894-6918 | www.legrandav.com | av.support@legrand.com

Contacting Middle Atlantic Canada

P: (888) 766-9770 | F: (888) 599-5009 | www.legrand.ca/middle-atlantic-products | av.canada.customerservice@legrand.com

Contacting Middle Atlantic Europe, Middle East, and Africa (EMEA) Technical Support

P: +31 495-726-003 | av.emea.middleatlantic.support@legrand.com

United States (US)

Legrand | AV Headquarters
10900 Red Circle Drive
Minnetonka, MN, 55343, USA

European Union (EU)

Legrand AV Netherlands
B.V. Franklinstraat 14 6003
DK, Weert, Netherlands

United Kingdom (UK)

Starline Holding Technology Ltd.
(Authorized Representative)
Unit C, Island Rd.
Reading RG2, 0RP- UK

At Legrand AV Inc we are always listening. Your comments are welcome.

Legrand AV is an ISO 9001 and ISO 14001 Registered Company.

MIDDLE ATLANTIC®

A brand of  **legrand®**