

CWR SERIES CABLESAFE™ CABLING WALL MOUNT RACK

Specifically designed for structured cabling, the CWR is a versatile system for mounting multiple patch panels and other voice/data equipment, where floor and wall space are at a premium

FEATURES

- 26" width cabinet to allow for much needed space for patching. Comes standard with wide-face rackrail on left and right of cabinet.
- Four useable depths available: 15", 20", 24" and 30"
- Ships with front rackrail at 4" setback position to accommodate cable managers. Also accommodates rear rackrail for rear support and cable management.
- Swing open center section allows for easy front and rear access to equipment and cabling
- Includes an easily reversible left or right handswing locking/latching plexi, vented front door for added security and a locking/latching plexi and vented front door for aesthetics.
- Engineered to facilitate passive thermal management optional fan kit available when additional heat dissipation is required
- Ships fully assembled as left or right hand hinged to save installation time
- UL Listed in the US and Canada



CWR SERIES CABLESAFE™ CABLING WALL MOUNT RACK

OPTIONS

- Fan kit shall be CWR-FKIT and shall feature 2 fans and displace 95 CFM of free air.
- Rear rail kit, 11-gauge, 12-24 threaded, sold in pairs, hardware included, shall be model # CWR-RRXX (XX= # of rackspaces).
- Optional bonding kit for UL-2416 (NWIN) compliance shall be Middle Atlantic Products PET-K-CWR
- Optional Filter Kit (FILTER-R-4-2K) available

SPECIFICATIONS

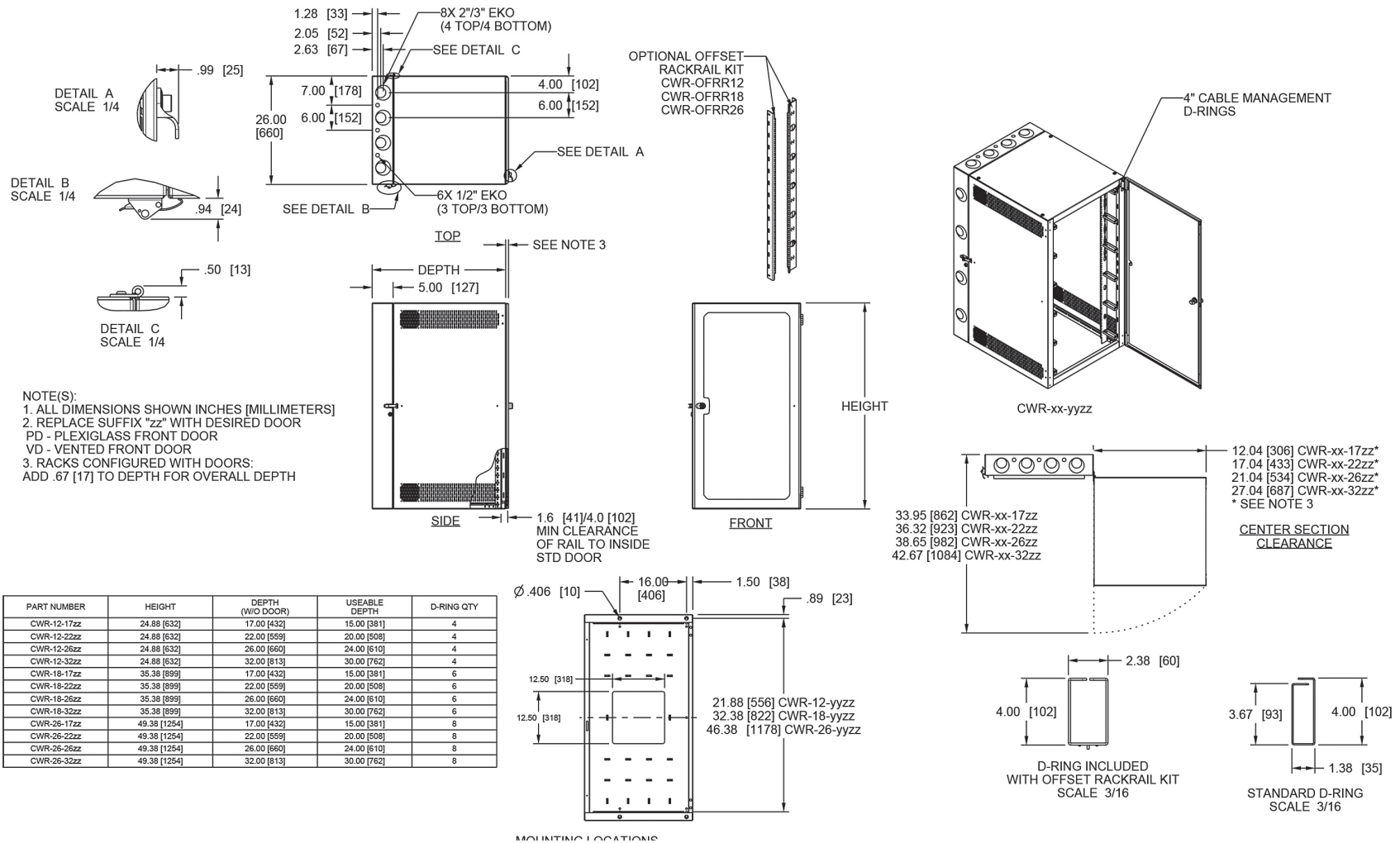
EIA compliant 19" cabling wall mount rack shall be Middle Atlantic Products model # CWR-__-__ (refer to chart). Overall dimensions shall be 26" W x __" H x __" D, with a useable depth of __ (refer to chart). Weight capacity shall be 200 lbs. Center section and back pan shall be 16-gauge steel, phosphate pre-treated and finished in a black textured powder coat. Rackrail shall be constructed of 11-gauge steel with tapped 12-24 mounting holes in universal EIA spacing with black powder coat finish. Rack shall include __ D-Rings for enhanced cable management (refer to chart). Rack shall have ½", 2" and 3" electrical knockouts on the top and bottom of the back pan. Rack shall be constructed to swing open for component cabling access, center section shall pivot for either left or right opening. Large opening on back pan shall have a 12-1/2" x 12-1/2" cutout for electrical pull-box. Top and bottom side vents will accommodate CWR-FKIT cooling kit. Rack shall be UL Listed in the US and Canada to the UL-2416 (NWIN) Category when used with optional bonding kit, model # PET-K-CWR. CWR shall be GREENGUARD Gold Certified. CWR shall be manufactured by an ISO 9001 and ISO 14001 registered company. Rack shall be warranted to be free from defects in materials or workmanship under normal use and conditions for the lifetime of the rack.



PRODUCT CERTIFIED FOR
LOW CHEMICAL EMISSIONS
UL.COM/GG
UL 2818

CWR SERIES

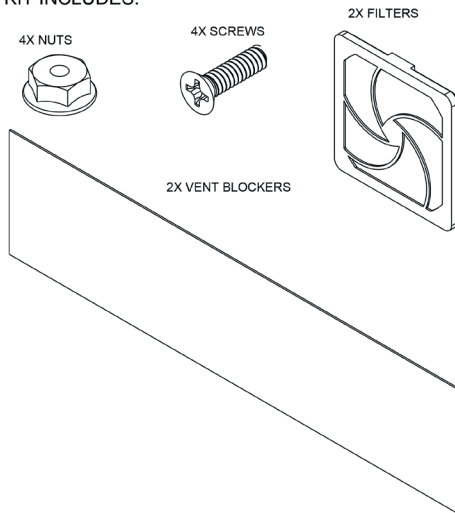
BASIC DIMENSIONS



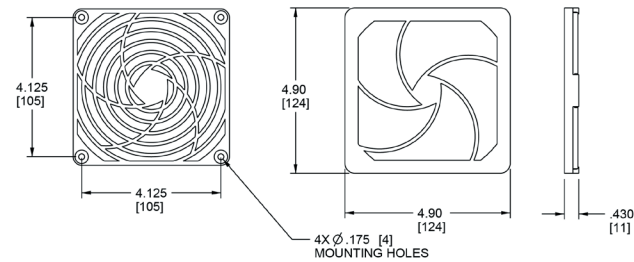
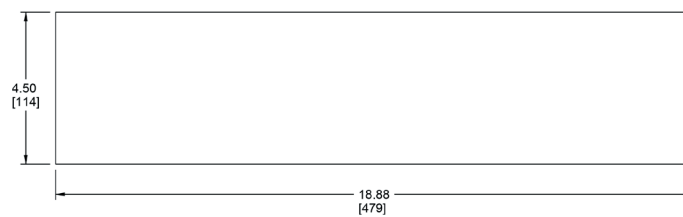
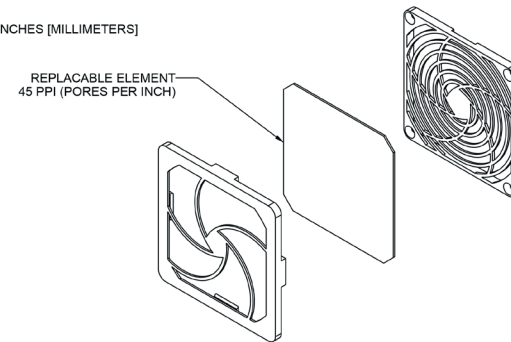
FILTER KIT (FILTER-R-4-2K)

BASIC DIMENSIONS

KIT INCLUDES:



NOTE(S):
1) ALL DIMENSIONS IN FORMAT: INCHES [MILLIMETERS]



C2G | CHIEF | DA-LITE | LUXUL | MIDDLE ATLANTIC | VADDIO | WIREMOLD

©2026 Legrand AV Inc. 230809 96-01104 Rev B 4/26 Middle Atlantic is a registered trademark of Legrand | AV Inc. All other brand names or marks are used for identification purposes and are trademarks of their respective owners. All patents are protected under existing designations. Other patents pending.

USA 866.977.3901 av.support@legrand.com
CANADA 877.345.4329 av.support@legrand.com
EMEA +31 495 580 840 av.emea.sales@legrand.com
APAC +852 2145 4099 av.asia.sales@legrand.com