

## PLASMA-C100D

### SPECIFICATIONS

#### GENERAL

|                   |            |
|-------------------|------------|
| Min. screen size* | 37         |
| Max. screen size* | 75         |
| Min. weight       | 0          |
| Max. weight       | 50         |
| Screens           | 2          |
| VESA minimum      | 200x200 mm |
| VESA maximum      | 800x450 mm |

#### FUNCTIE

|                   |                               |
|-------------------|-------------------------------|
| Type              | Tilt<br>Swivel<br>Full motion |
| Height adjustment | 67-107 cm                     |
| Tilt (degrees)    | 25°                           |
| Swivel (degrees)  | 60°                           |
| Adjustment type   | Manual                        |

#### INFORMATION

|               |        |
|---------------|--------|
| Color         | Black  |
| Main material | Steel  |
| Warranty      | 5 year |

\*Please note: The inch sizes stated are just an indication, combined with the weight and VESA sizes. The maximum weight and VESA size are absolute restrictions for the products and should not be exceeded.

## NEOMOUNTS PLASMA-C100D DUAL MONITOR/TV MOUNT CEILING 37-75" - H 67-107 CM



Neomounts



Neomounts

### Neomounts PLASMA-C100D Monitor/TV mount ceiling 2 screens - 37-75" - max 50 kg/screen - VESA 200x200-800x450 - h 67-107 cm - black

The Neomounts ceiling mount, model PLASMA-C100D is a dual-sided tilt- and swivel ceiling mount for flat screens up to 75" (191 cm). This mount is a great choice for space saving placement or when wall mounting and floor placement is not an option.

Neomounts versatile tilt (25°) and swivel (60°) technology allows the mount to change to any viewing angle to fully benefit from the capabilities of the flat screen. The support is easily height adjustable from 67 to 107 centimetres. If different heights are needed extension poles are available. An innovative cable management conceals and routes cables from ceiling to TV. Hide your cables in the column to keep it nice and tidy.

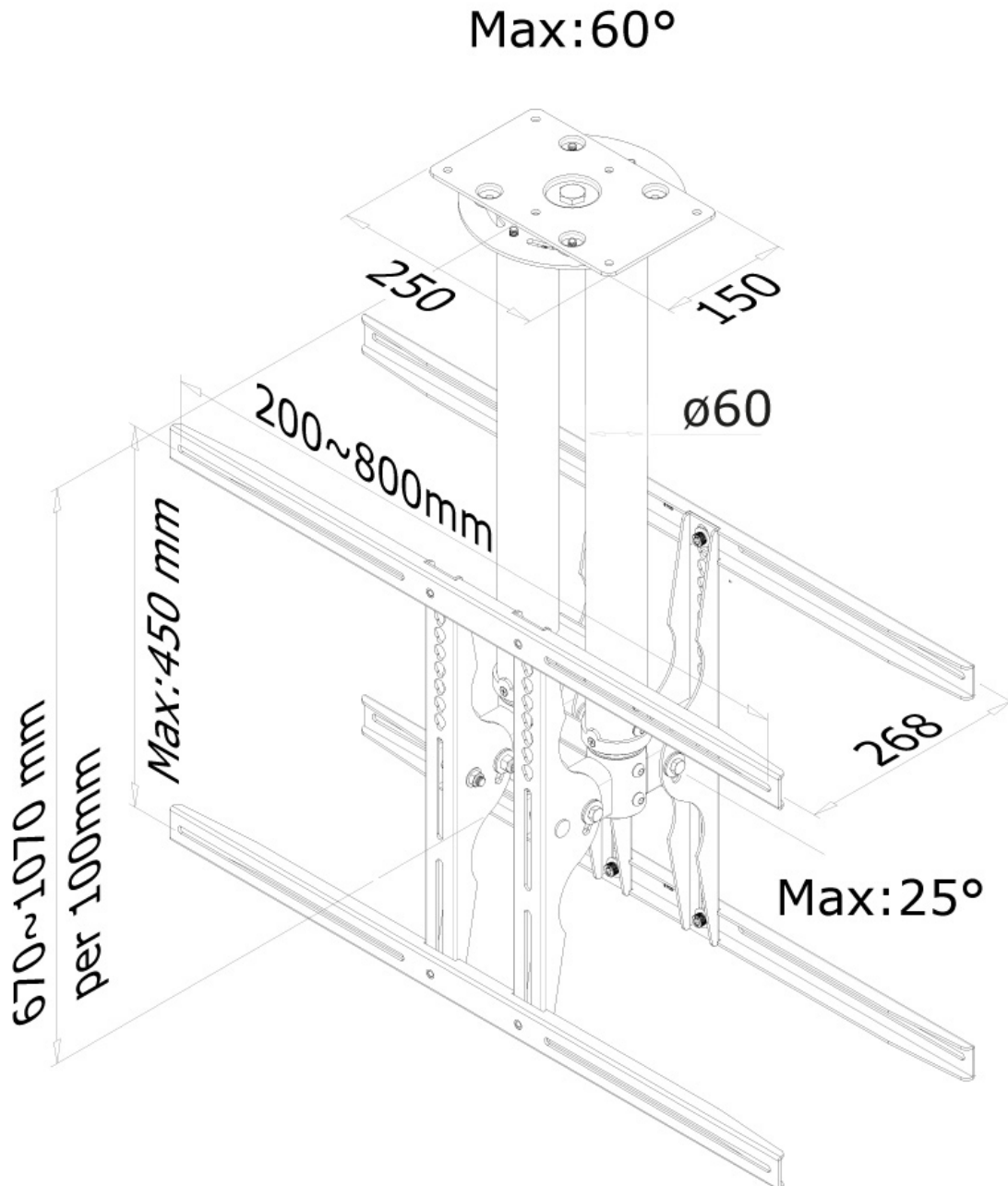
Neomounts PLASMA-C100D has one pivot point and is suitable for screens up to 75" (191 cm). The weight capacity of this product is 100 kg. The ceiling mount is suitable for screens that meet VESA hole pattern 200x200 to 800x450mm. Different hole patterns can be covered using Neomounts VESA adapter plates.

All installation material is included with the product.

By using extension poles (FPMA-CP100 up to FPMA-CP200) you can increase the distance to the ceiling. These can be ordered additionally. This pole replaces the original pole. Please note that to extend the PLASMA-C100D you will need two extension poles.

PLASMA-C100D

NEOMOUNTS PLASMA-C100D DUAL MONITOR/TV  
MOUNT CEILING 37-75" - H 67-107 CM



Neomounts

Measuring unit: mm