



**THE BEST SUPPORT  
FOR YOUR AV & IT HARDWARE**  
T: + 31(0)23-5478888 | E: info@newstar.eu | W: www.newstar.eu

## FPMA-W120

## NEWSTAR FLAT SCREEN WALL MOUNT

Newstar TV/Monitor Wall Mount (tiltable) for  
10"-40" Screen - Silver



### SPECIFICATIONS

<b>Color</b>	Silver
<b>Distance to wall</b>	7 cm
<b>Height adjustment</b>	None
<b>Max. screen size</b>	40
<b>Max. weight</b>	35
<b>Min. screen size</b>	10
<b>Min. weight</b>	0
<b>Screens</b>	1
<b>Tilt (degrees)</b>	20°
<b>Type</b>	Tilt
<b>VESA maximum</b>	200x200 mm
<b>VESA minimum</b>	100x100 mm
<b>Warranty</b>	5 year
<b>EAN code</b>	8717371440831

The NewStar wall mount, model FPMA-W120 is a tiltable wall mount for flat screens up to 40". This mount is a great choice when you want the ultimate viewing flexibility with your flat screen. Effortless pull the display out from the wall, position it in almost any direction, turn it around corners and then smoothly return it to the wall when finished.

NewStars' tilt (30°) technology allows the mount to change to any viewing angle to fully benefit from the capabilities of the flat screen. Depth of this mount is 7 centimetres.

NewStar FPMA-W120 is suitable for screens up to 40" (102 cm). The weight capacity of this product is 35 kg. The wall mount is suitable for screens that meet VESA hole pattern 100x100 and 200x200mm. Different hole patterns can be covered using NewStar VESA adapter plates.

Create a clean design ambiance for your flat screen TV in the living room, bedroom or home cinema.

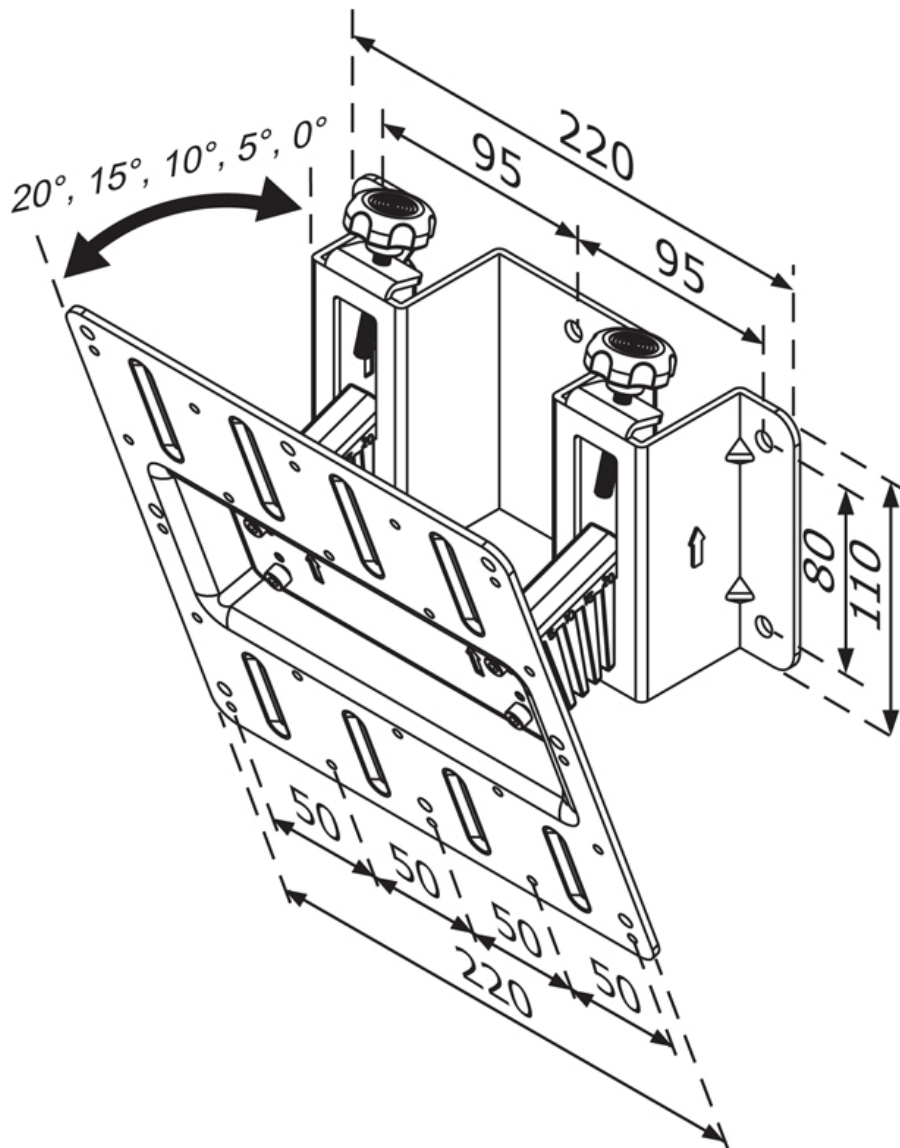
All installation material is included with the product.



THE BEST SUPPORT  
FOR YOUR AV & IT HARDWARE  
T: +31(0)23-5478888 | E: info@newstar.eu | W: www.newstar.eu

# FPMA-W120

# NEWSTAR FLAT SCREEN WALL MOUNT



NewStar Products Europe B.V.  
Wateringweg 62/B  
2031 EJ HAARLEM  
THE NETHERLANDS

Phone : +31(0)23-5478888  
Fax : +31(0)23-5478889  
Email : info@newstar.nl  
Website : www.newstar.eu

NewStar cannot be held liable for any inaccuracies and copyrights.  
No part of this publication may be reproduced and/or published by print, photocopy, microfilm or in any other way, without prior written permission of NewStar Computer Products Europe BV.